



US00D855337S

(12) **United States Design Patent**
Kawakami

(10) **Patent No.:** **US D855,337 S**

(45) **Date of Patent:** **** Aug. 6, 2019**

(54) **STOOL**

(71) Applicant: **OKAMURA CORPORATION**,
Yokohama-shi, Kanagawa (JP)

(72) Inventor: **Motomi Kawakami**, Tokyo (JP)

(73) Assignee: **Okamura Corporation**, Yokohama-shi,
Kanagawa (JP)

(**) Term: **15 Years**

(21) Appl. No.: **29/643,067**

(22) Filed: **Apr. 4, 2018**

(30) **Foreign Application Priority Data**

Oct. 6, 2017 (JP) 2017-022275

(51) **LOC (12) Cl.** **06-01**

(52) **U.S. Cl.**
USPC **D6/349**

(58) **Field of Classification Search**

USPC D6/334-338, 340-343, 349-353, 355,
D6/364-365, 691-691.9, 692-692.6;
D25/65

CPC A47B 7/00-02; A47C 11/00; A47C 13/00;
A47C 16/00; A47C 16/02-04; A47C
9/00-105; A47C 17/02; A47C 17/028

See application file for complete search history.

(56) **References Cited**

U.S. PATENT DOCUMENTS

D232,504 S * 8/1974 Archinal D6/692.6
D524,069 S * 7/2006 Lim D6/350
D564,244 S * 3/2008 Ikaheimo D6/349
D570,125 S * 6/2008 Gonzalez D6/350
D586,574 S * 2/2009 Gomree D6/350
D625,931 S * 10/2010 Estrup D6/349
D640,878 S * 7/2011 Huang D6/350

D647,313 S * 10/2011 Chen D6/364
D679,923 S * 4/2013 Corcorran A47B 39/00
D6/708
D729,561 S * 5/2015 Robins D6/708
D747,129 S * 1/2016 Yasuda D6/364
D830,710 S * 10/2018 Harguth D6/349
D832,632 S * 11/2018 Xingchang D6/708

OTHER PUBLICATIONS

The Chicago Athenaeum Cradle, 2018. [online] Published Dec. 19, 2018 Retrieved Mar. 7, 2019 from URL:https://www.chi-athenaeum.org/furniture-2018/2018/12/19/cradle-2018/.*

* cited by examiner

Primary Examiner — Vy N Koenig

(74) *Attorney, Agent, or Firm* — Sughrue Mion, PLLC

(57) **CLAIM**

The ornamental design for a stool, as shown and described.

DESCRIPTION

FIG. 1 is a perspective view of a stool.
FIG. 2 is a front elevation view thereof.
FIG. 3 is a rear elevation view thereof.
FIG. 4 is a left side elevation thereof.
FIG. 5 is a right side elevation thereof.
FIG. 6 is a top plan view.
FIG. 7 is a bottom plan view.
FIG. 8 is a cross sectional view taken along line 8-8 in FIG. 2.
FIG. 9 is a cross sectional view taken along line 9-9 in FIG. 4; and,
FIG. 10 is a cross sectional view taken along line 10-10 in FIG. 2.

The broken lines shown in the drawings illustrate portions of the stool that form no part of the claimed design.

1 Claim, 10 Drawing Sheets

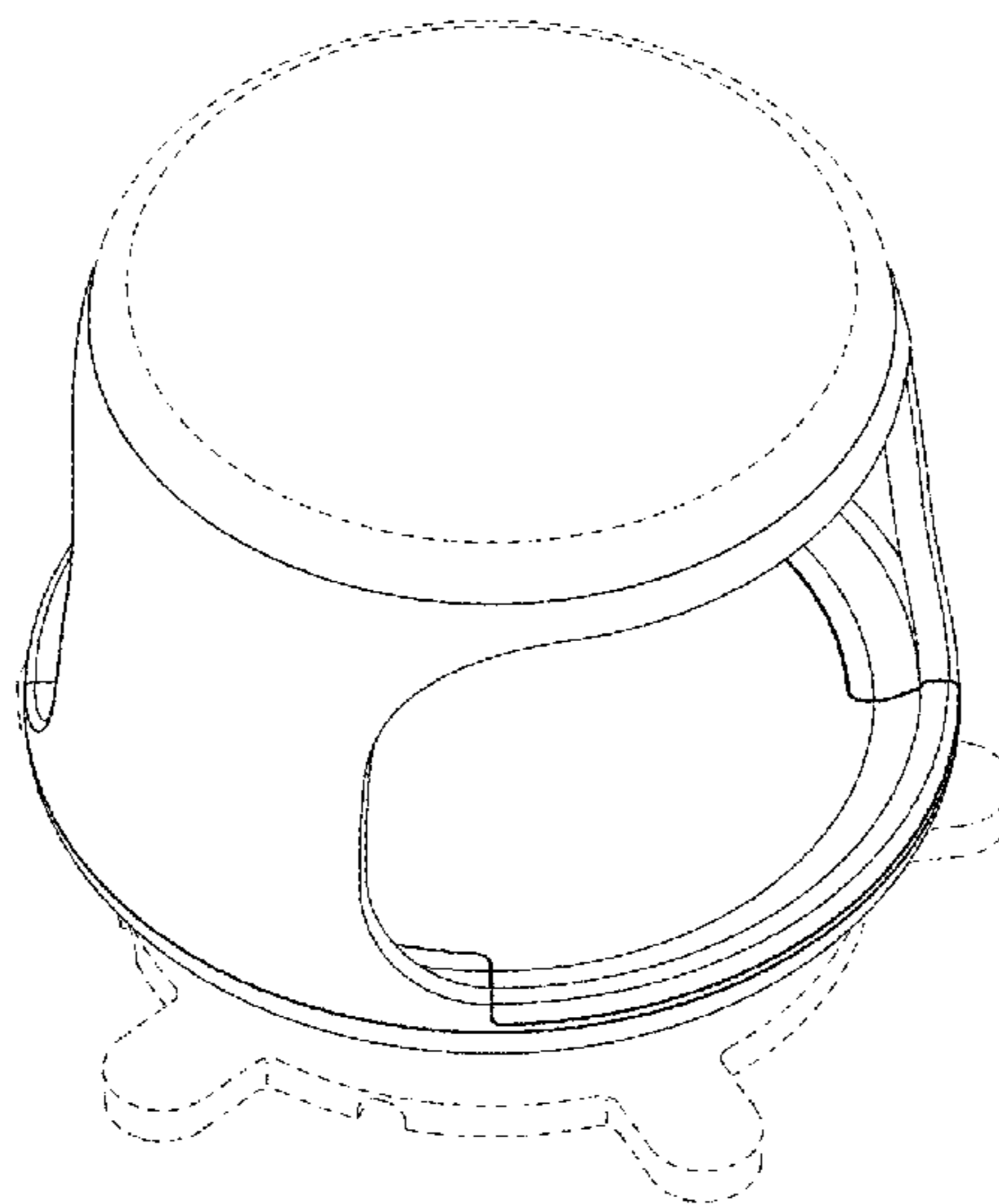


FIG. 1

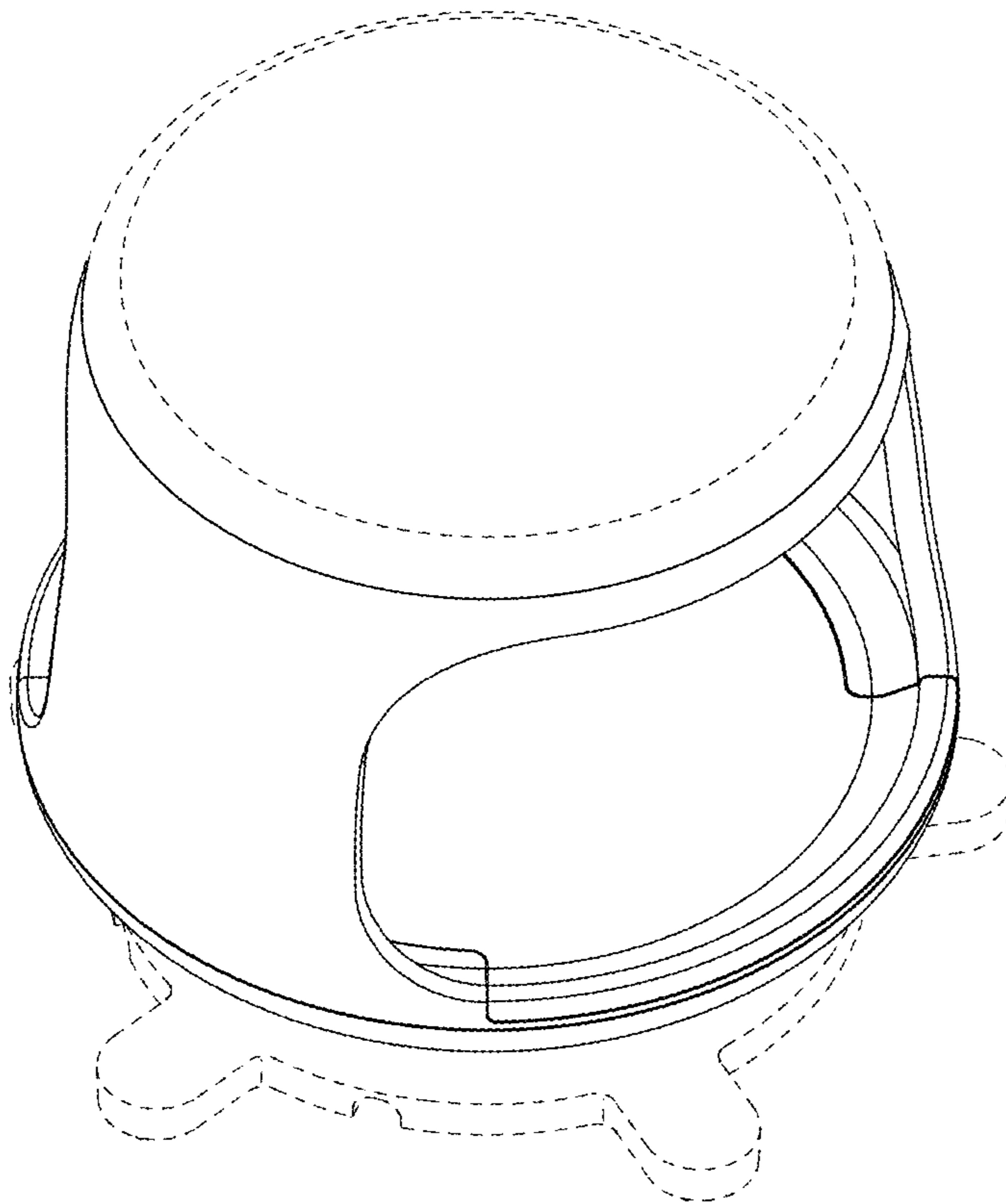


FIG. 2

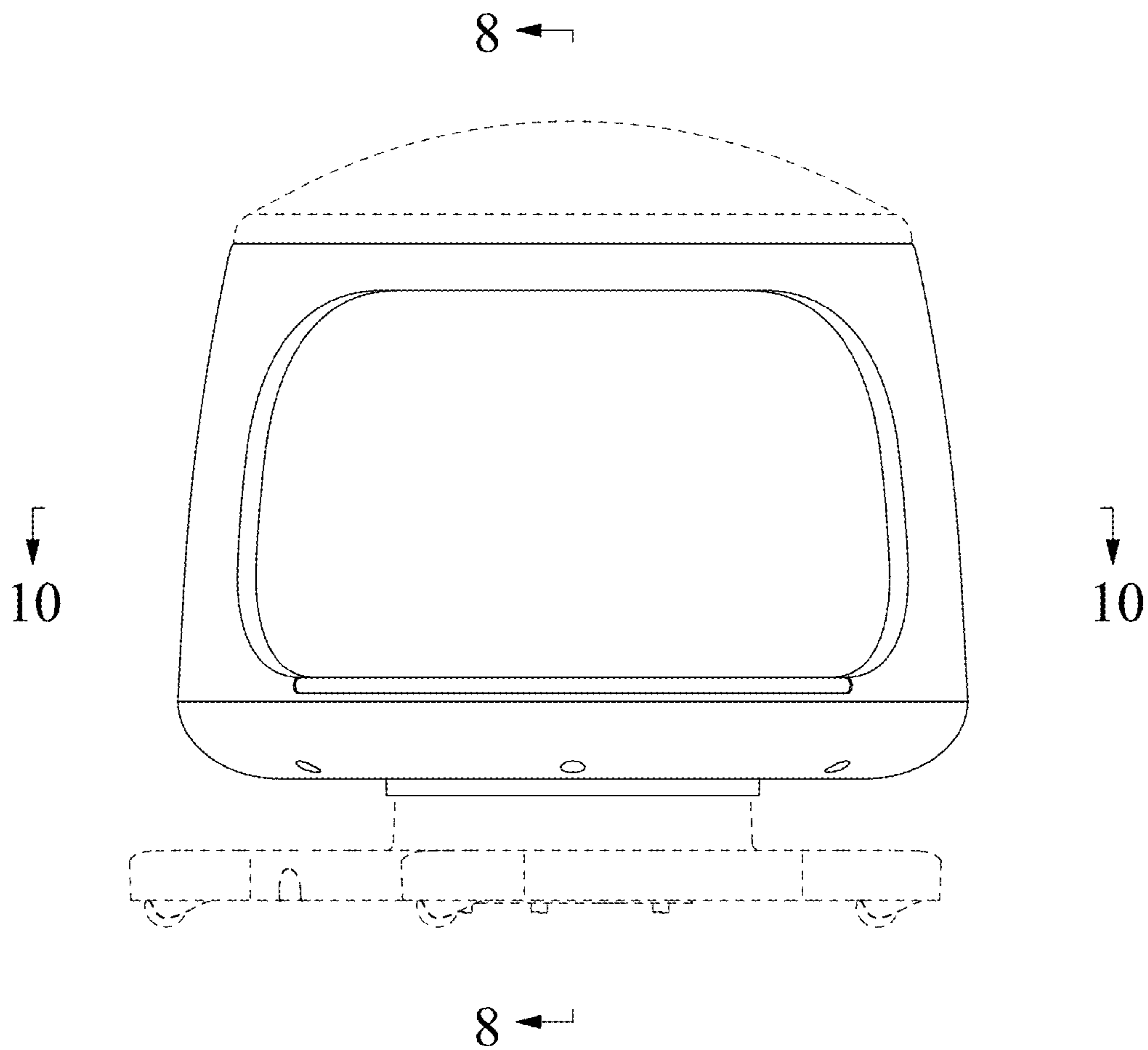


FIG. 3

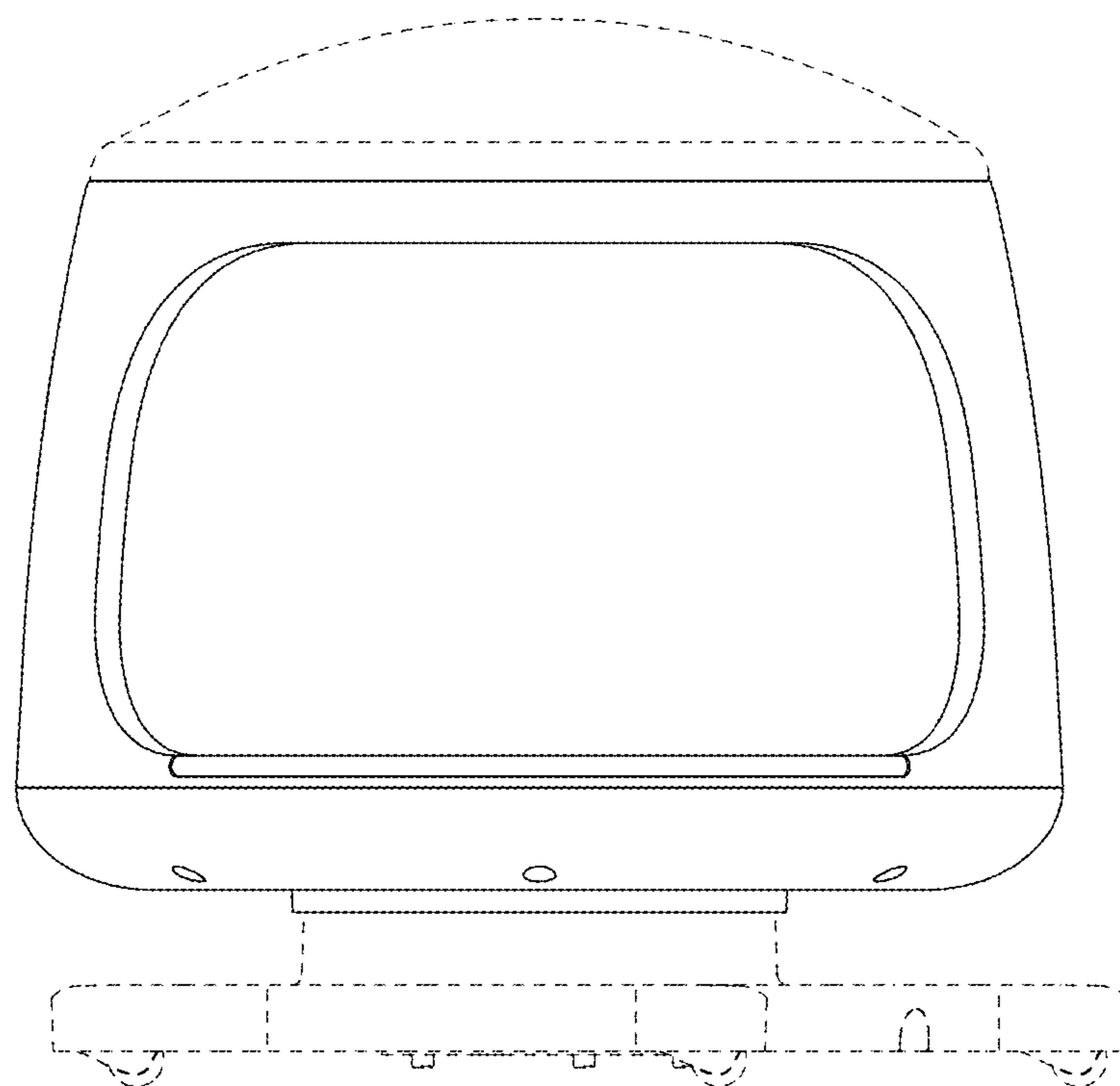


FIG. 4

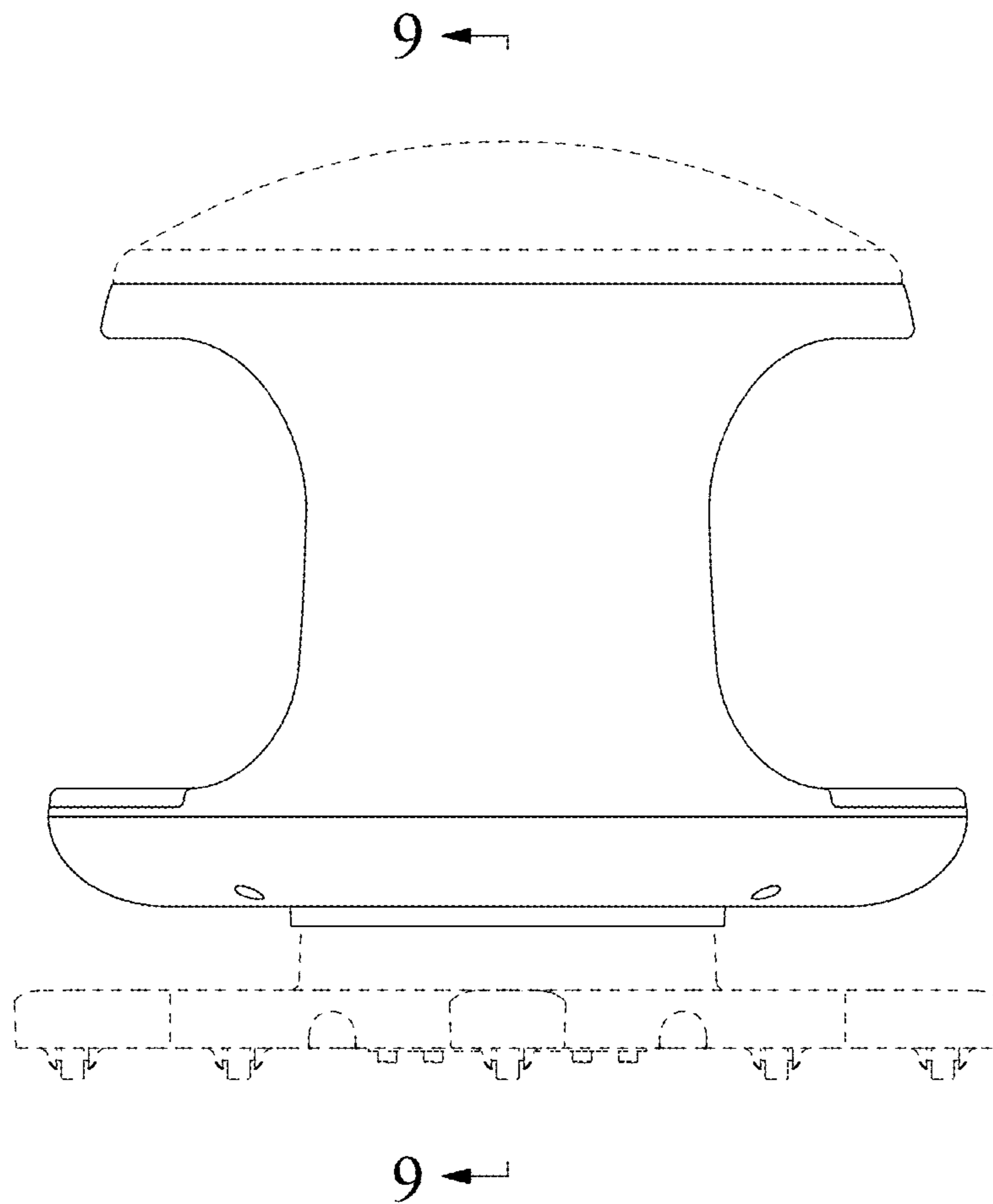


FIG. 5

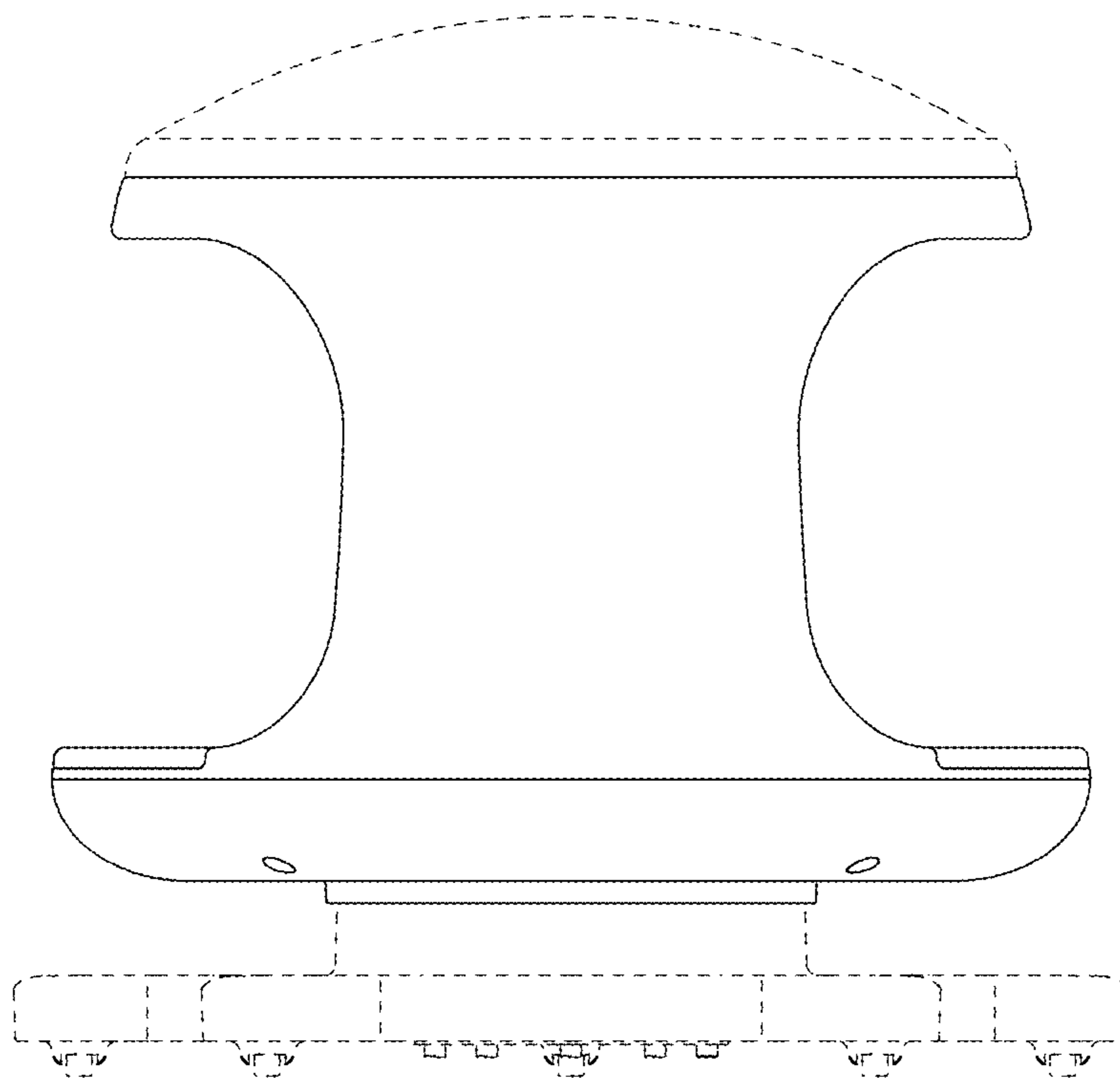


FIG. 6

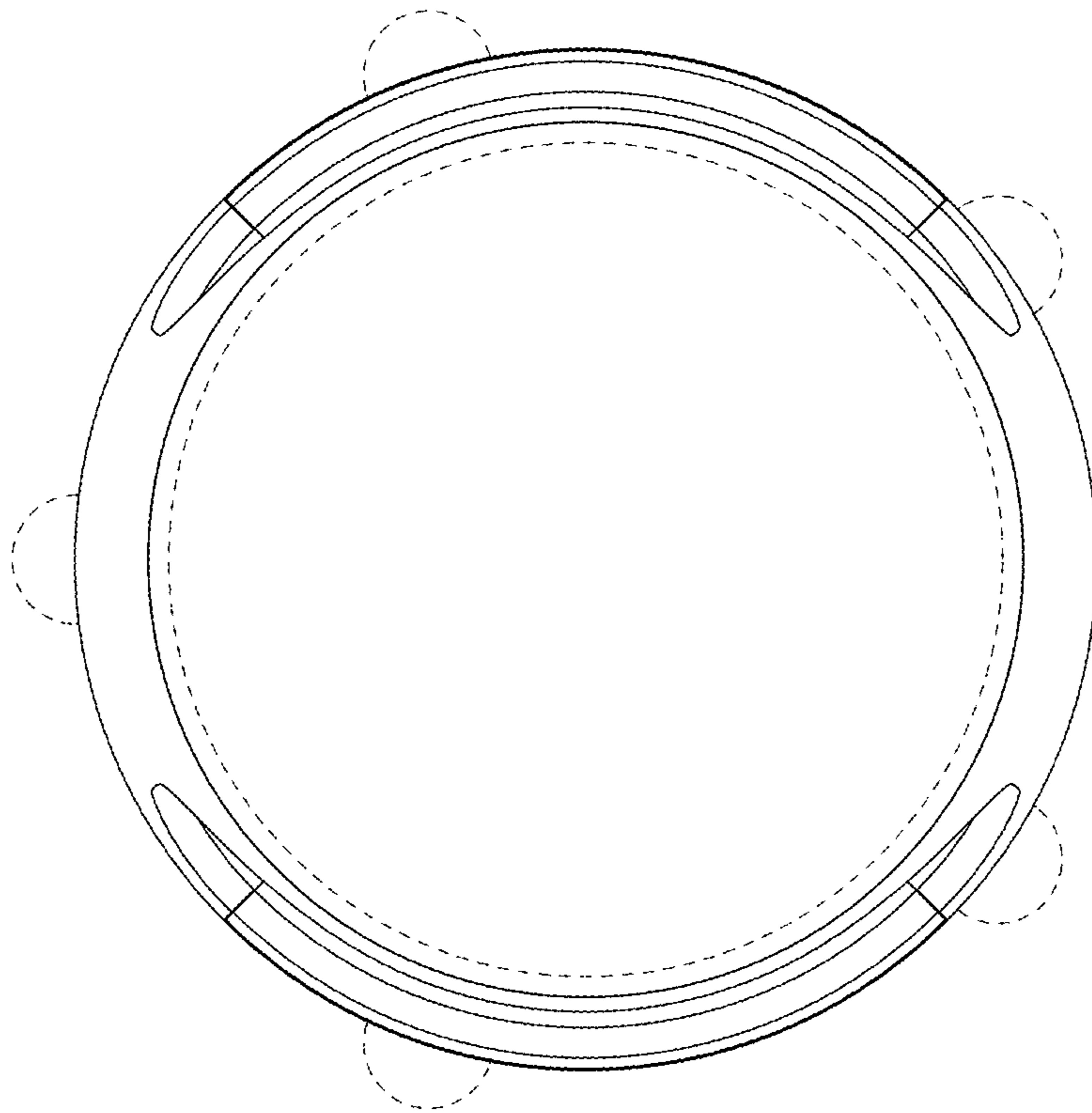


FIG. 7

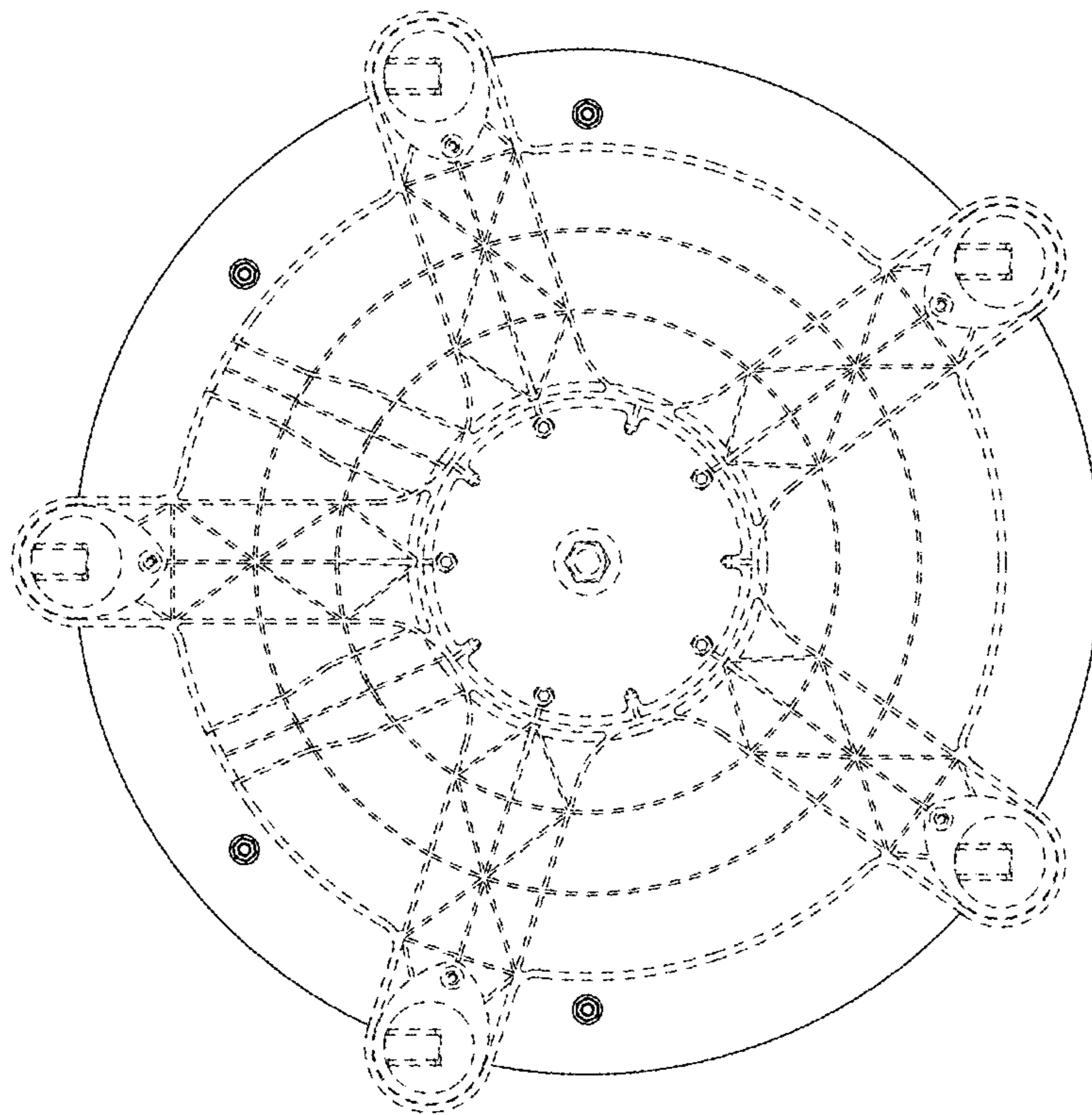


FIG. 8

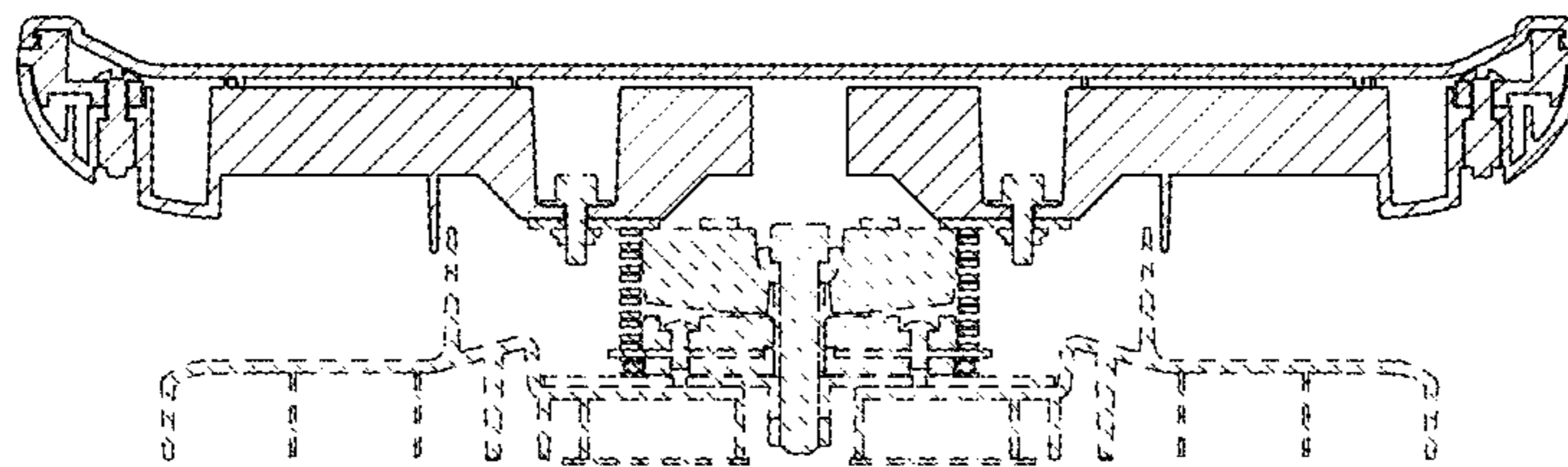
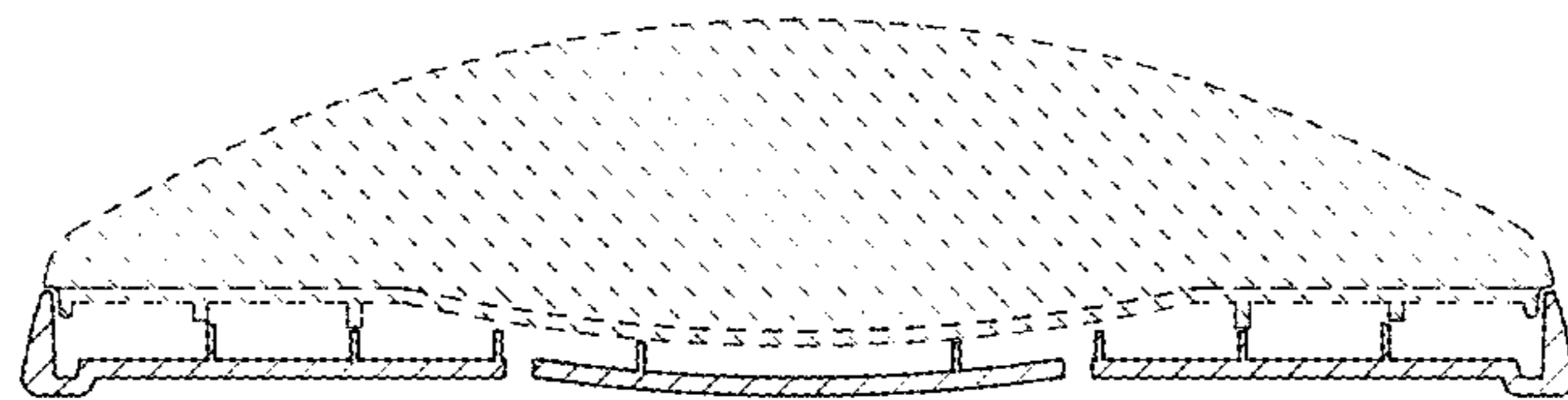


FIG. 9

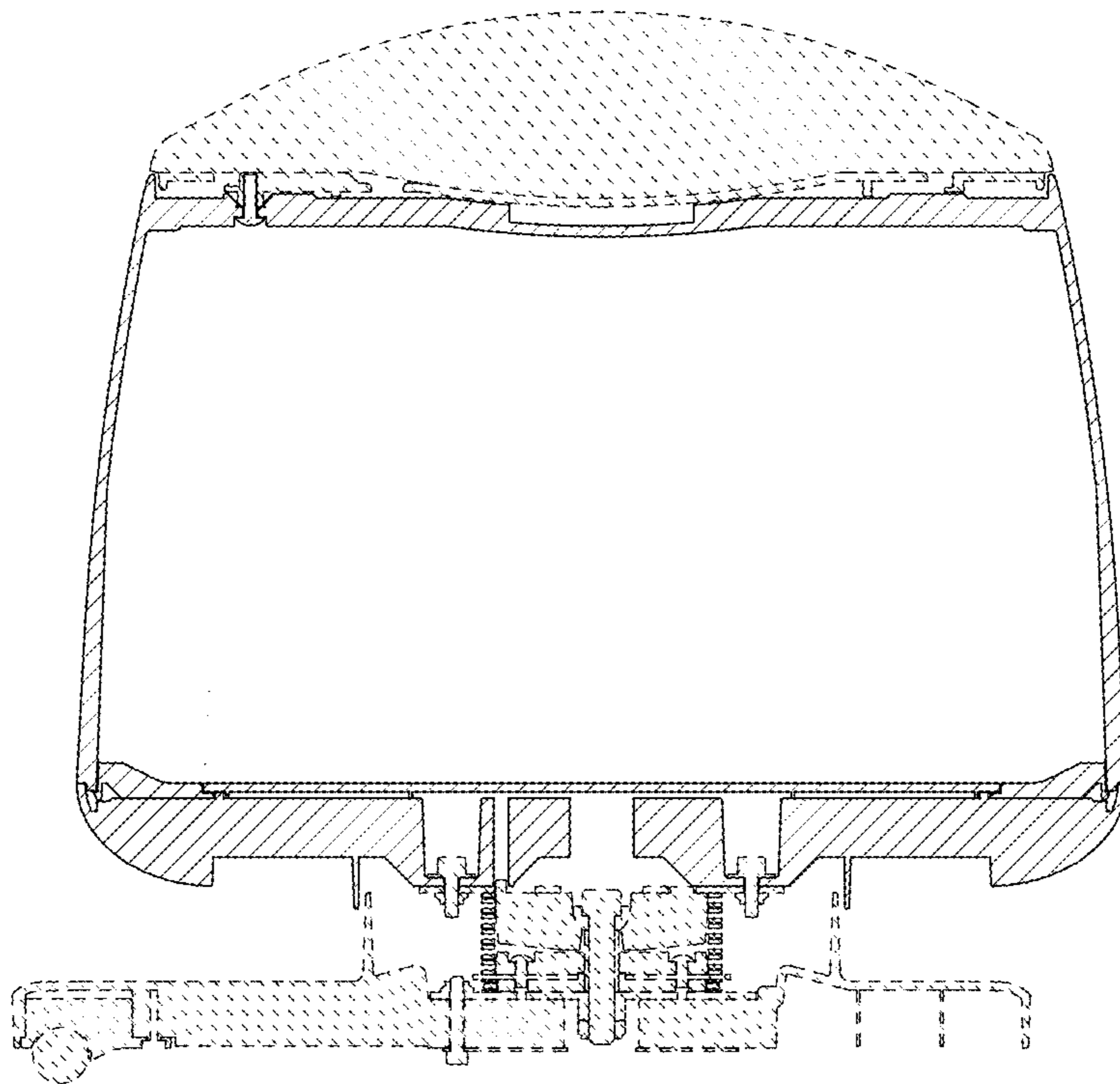


FIG. 10

