



US00D855336S

(12) **United States Design Patent** (10) **Patent No.:** **US D855,336 S**  
**Yeh** (45) **Date of Patent:** **\*\* Aug. 6, 2019**

(54) **SWING CHAIR**

(71) Applicant: **Chin-Chuan Yeh**, Taichung (TW)

(72) Inventor: **Chin-Chuan Yeh**, Taichung (TW)

(\*\*) Term: **15 Years**

(21) Appl. No.: **29/673,958**

(22) Filed: **Dec. 18, 2018**

(51) **LOC (12) Cl.** ..... **06-01**

(52) **U.S. Cl.**  
USPC ..... **D6/333**

(58) **Field of Classification Search**  
USPC ..... D6/333-336, 339, 344, 702, 716,  
D6/716.1-716.7; 297/183.1-183.4,  
297/184.13, 184.15, 184.17, 250.1, 255,  
297/256.1, 256.15, 219.12, 463.1;  
D12/129-130, 133; D21/412, 428, 419;  
280/30-31; 5/94, 98.1, 99.1, 101-102,  
5/105, 655, 93.1, 12.1; 24/200  
CPC . B60N 2/00; B60N 2/005; B60N 2/24; B60N  
2/015; B60N 2/42; B60N 2/26; A47C  
13/00; A47C 4/54; A47C 4/00; A47C  
4/02; A47C 3/029; A47C 3/025; A47C  
3/021; A47C 3/0252; A47D 1/00; A47D  
1/006; A47D 1/06; A47D 1/002; A47D  
1/004

See application file for complete search history.

(56) **References Cited**

U.S. PATENT DOCUMENTS

D250,861 S \* 1/1979 Boudreau ..... D6/333  
D461,062 S \* 8/2002 Wu ..... D6/333  
D497,725 S \* 11/2004 Marmentini ..... D6/333  
D613,955 S \* 4/2010 Kho ..... D6/333  
D683,974 S \* 6/2013 Leys ..... D6/333

\* cited by examiner

*Primary Examiner* — Abraham Bahta

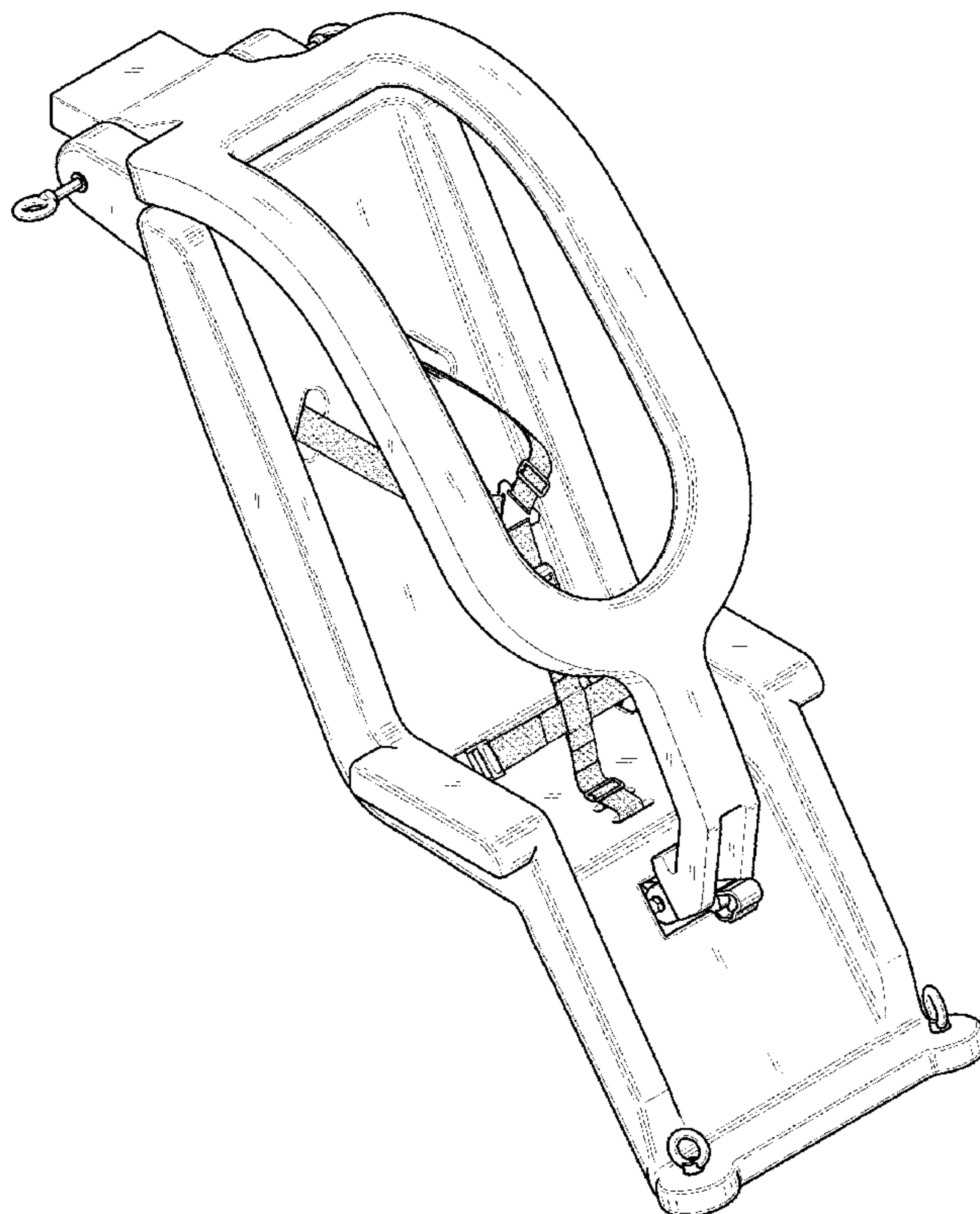
(57) **CLAIM**

The ornamental design for a swing chair, as shown and described.

**DESCRIPTION**

FIG. 1 is a perspective view of a swing chair showing my new design;  
FIG. 2 is a right view thereof;  
FIG. 3 is a left view thereof;  
FIG. 4 is a rear view thereof;  
FIG. 5 is a front view thereof;  
FIG. 6 is a top view thereof; and,  
FIG. 7 is a bottom view thereof.

**1 Claim, 7 Drawing Sheets**



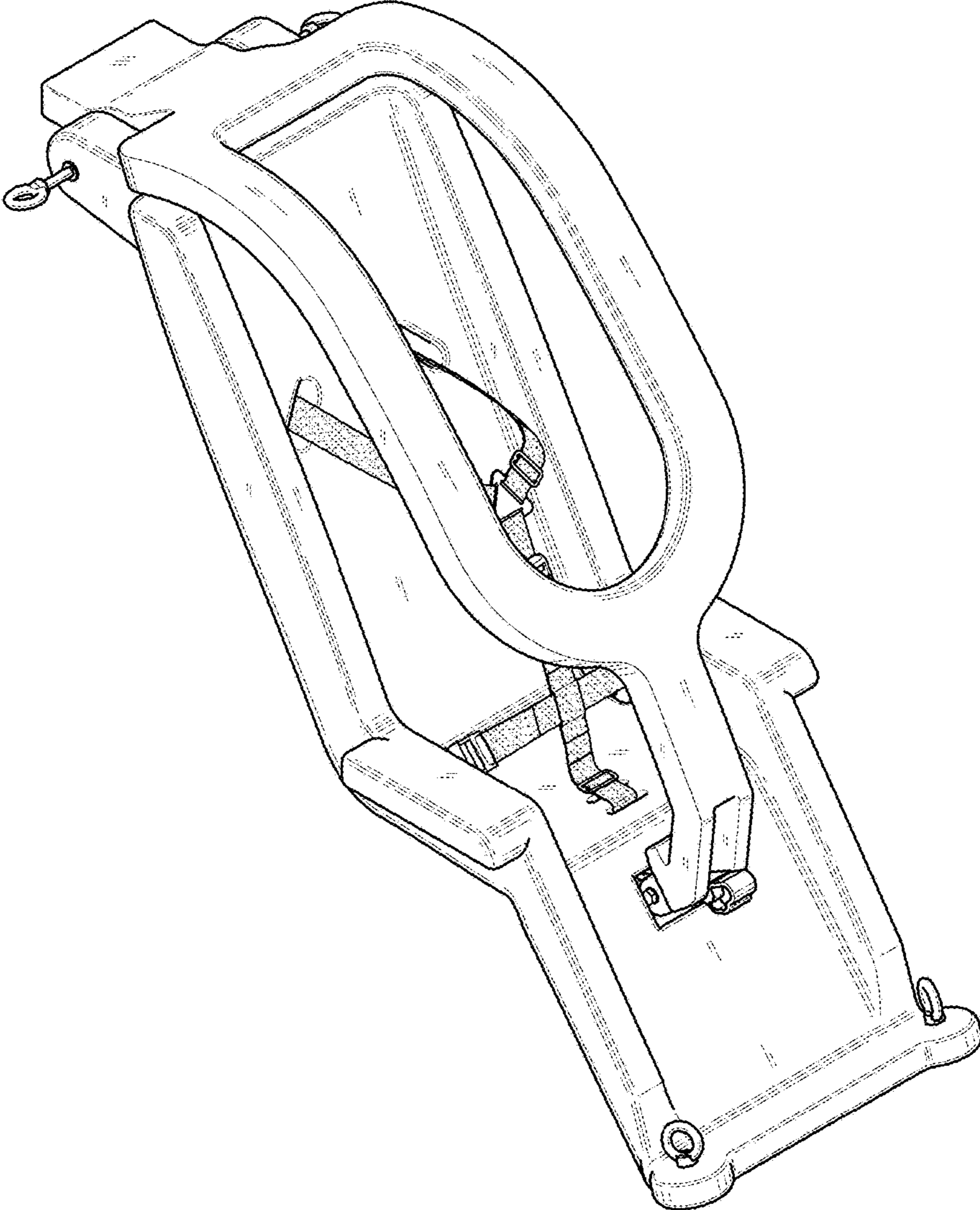


FIG.1

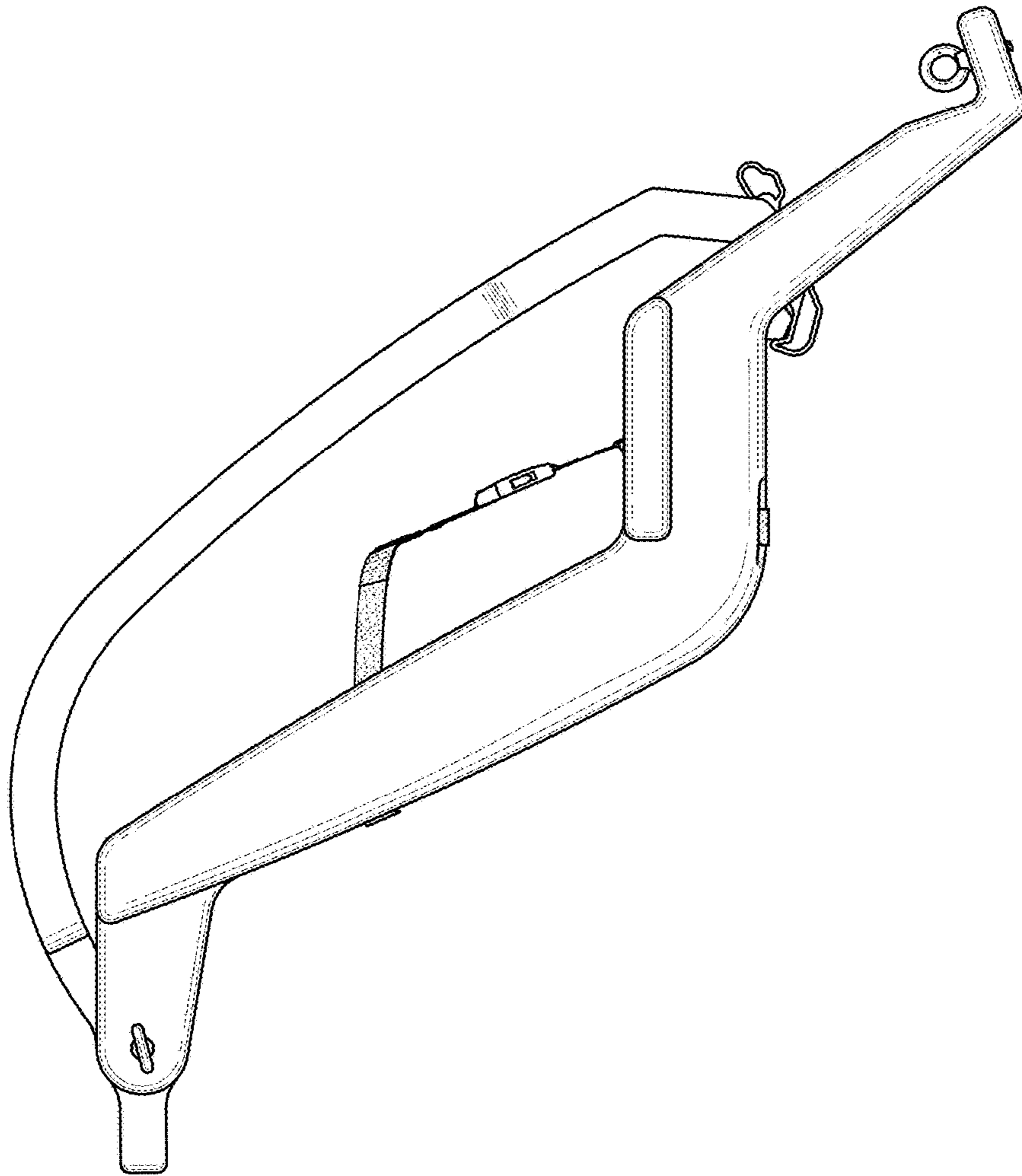


FIG.2

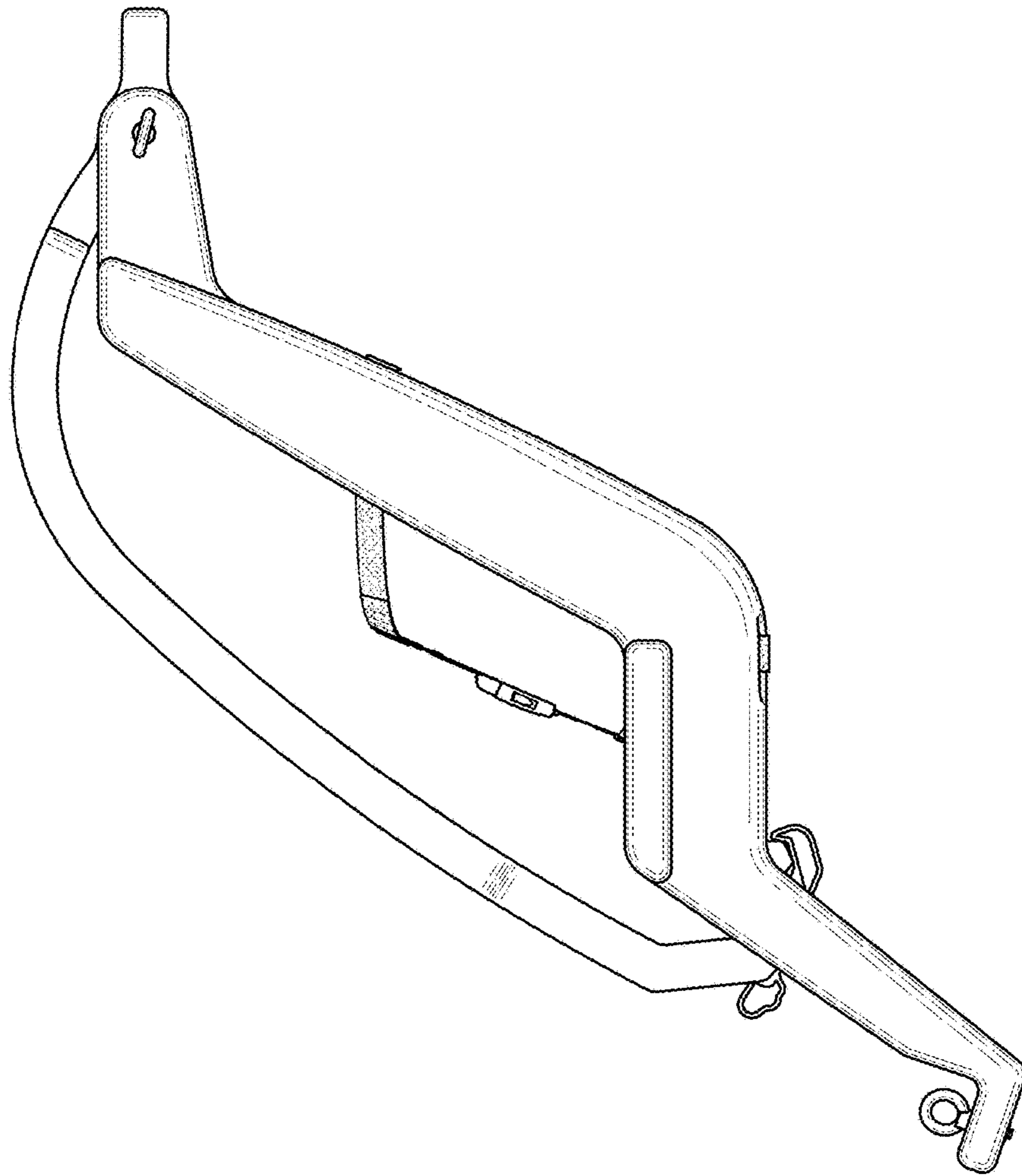


FIG. 3

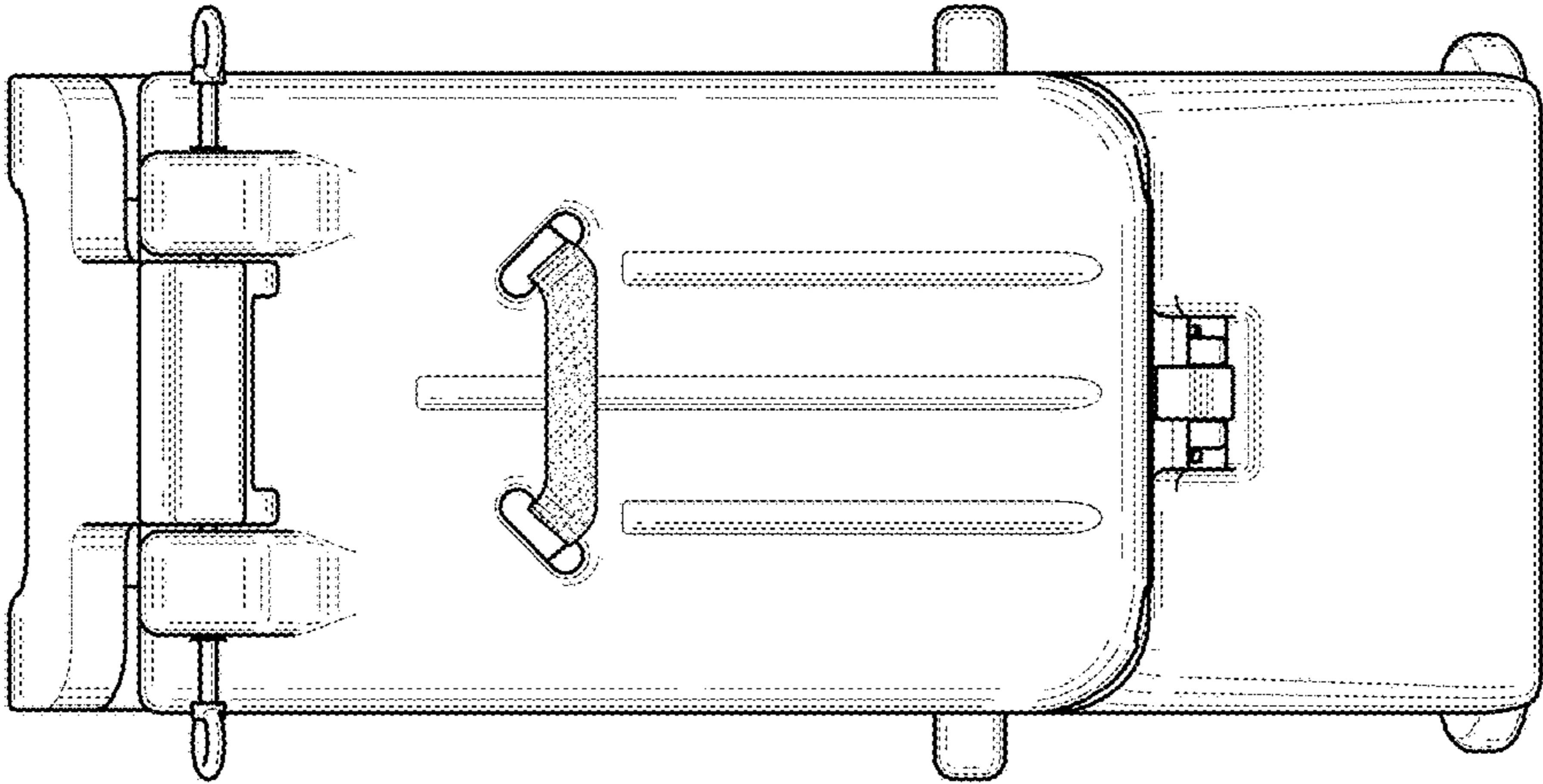


FIG.4

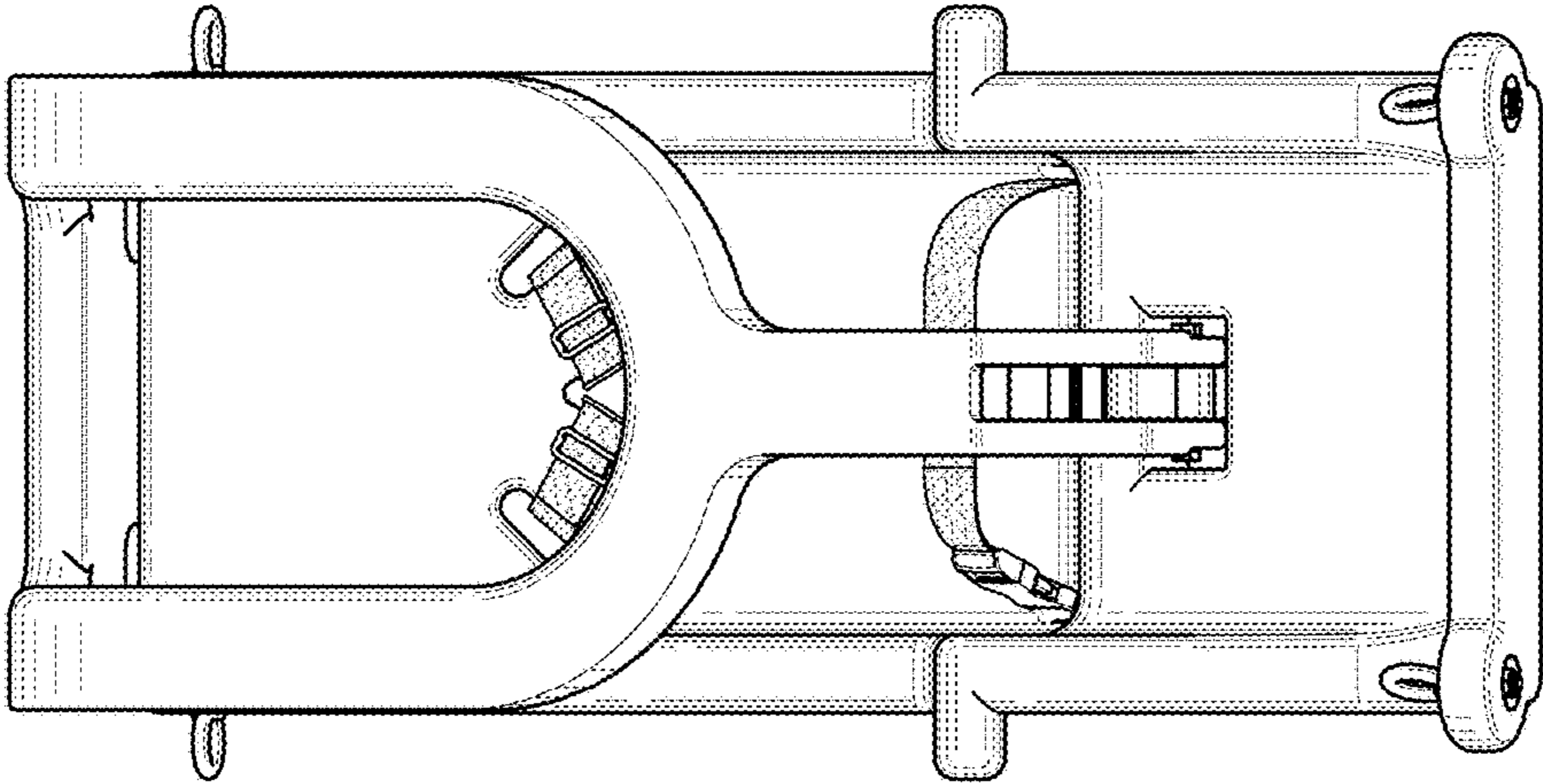


FIG.5

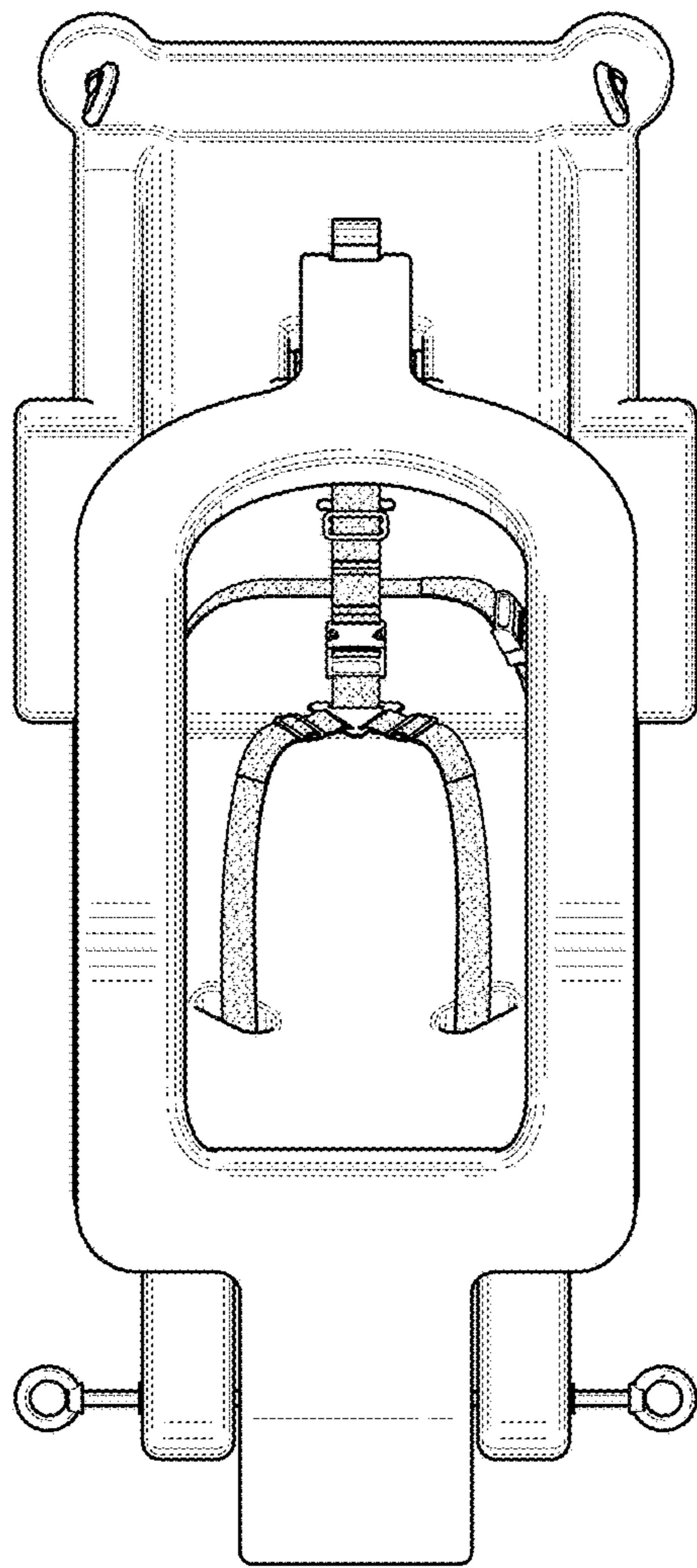


FIG.6

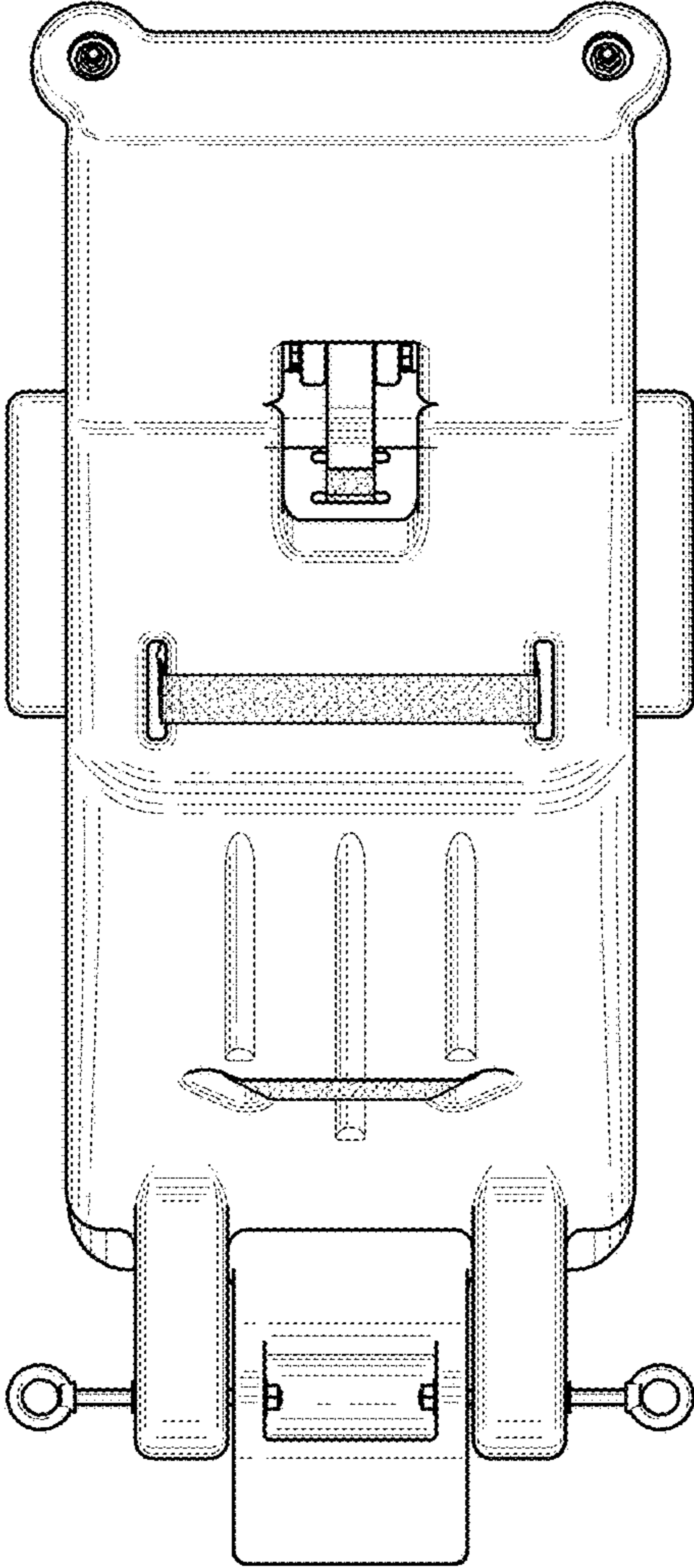


FIG.7