



US00D855331S

(12) **United States Design Patent**
Park et al.

(10) **Patent No.:** **US D855,331 S**

(45) **Date of Patent:** **** Aug. 6, 2019**

(54) **HAIR BRUSH**

(71) Applicant: **EBIN NEW YORK**, Teterboro, NJ
(US)

(72) Inventors: **Joon Seong Park**, Tenafly, NJ (US);
Joonoh Park, Fort Lee, NJ (US)

(**) Term: **15 Years**

(21) Appl. No.: **35/505,266**

(22) Filed: **Jan. 12, 2018**

(80) **Hague Agreement Data**

Int. Filing Date: **Jan. 12, 2018**

Int. Reg. No.: **DM/099886**

Int. Reg. Date: **Jan. 12, 2018**

Int. Reg. Pub. Date: **Jul. 13, 2018**

(51) **LOC (12) Cl.** **04-99**

(52) **U.S. Cl.**
USPC **D4/117**

(58) **Field of Classification Search**
USPC D4/133, 134, 135, 138, 108, 117-119,
D4/100; D24/147; D28/25, 55, 29, 10
CPC A46B 15/0071; A45D 19/02; A45D 24/14
See application file for complete search history.

(56) **References Cited**

U.S. PATENT DOCUMENTS

D290,065 S *	6/1987	Battaglia	D28/25
D332,700 S *	1/1993	Hill	D28/25
D339,235 S *	9/1993	Hirzel	D28/25
D370,304 S *	5/1996	Schach	D28/10
D384,208 S *	9/1997	Joiner	D28/25
D388,539 S *	12/1997	Ford	D28/25
D463,068 S *	9/2002	Corley	D28/25
D466,306 S *	12/2002	Skwarek	D4/117
D487,945 S *	3/2004	Anthony	D28/29

D490,185 S *	5/2004	Hegner	D28/29
D509,925 S *	9/2005	Morrow	D28/25
7,322,365 B2 *	1/2008	Kelloyan	A45D 19/02 132/200
D572,009 S *	7/2008	Meyhew	D4/117
8,479,749 B2 *	7/2013	Randolph	A45D 24/14 132/120
D728,944 S *	5/2015	Noel	D4/117
D742,650 S *	11/2015	Albers	D4/116
D744,758 S *	12/2015	Albers	D28/55
D792,710 S *	7/2017	McDuffie	D28/25
D819,336 S *	6/2018	Zhou	D4/100
D823,003 S *	7/2018	Lafortune	D4/117
D830,064 S *	10/2018	Krohmer	D4/135
D830,553 S *	10/2018	Wall	D24/147
D833,753 S *	11/2018	Axelrod	D4/119
D838,491 S *	1/2019	Pariseau	A46B 15/0071 D4/108
D838,495 S *	1/2019	Li	D4/134
D838,994 S *	1/2019	Suh	D4/119
D839,602 S *	2/2019	Taylor	D4/118
D840,161 S *	2/2019	Renner	D4/138
D842,615 S *	3/2019	Krohmer	D4/133

* cited by examiner

Primary Examiner — Rhea Shields

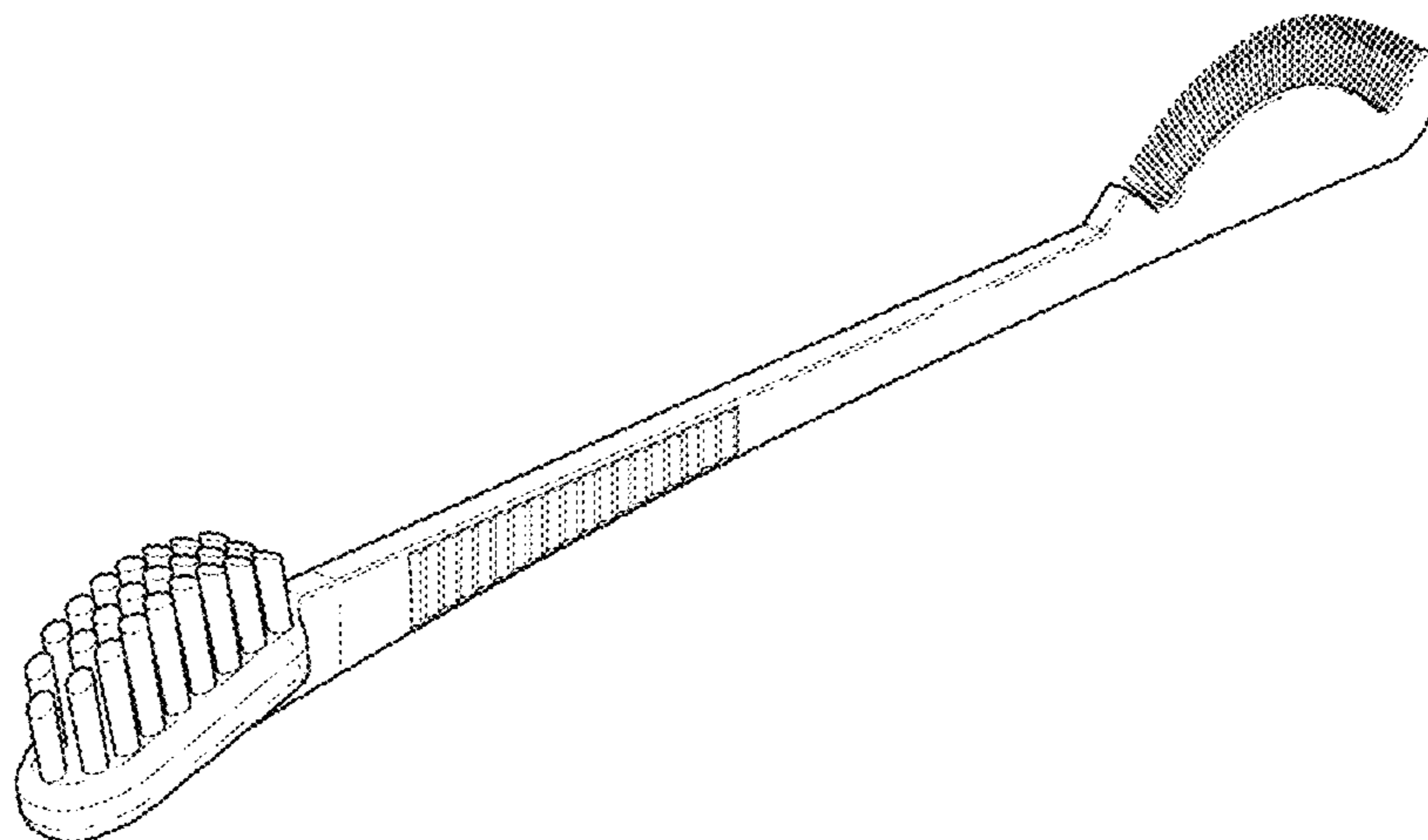
(57) **CLAIM**

The ornamental design for a hair brush, as shown and described.

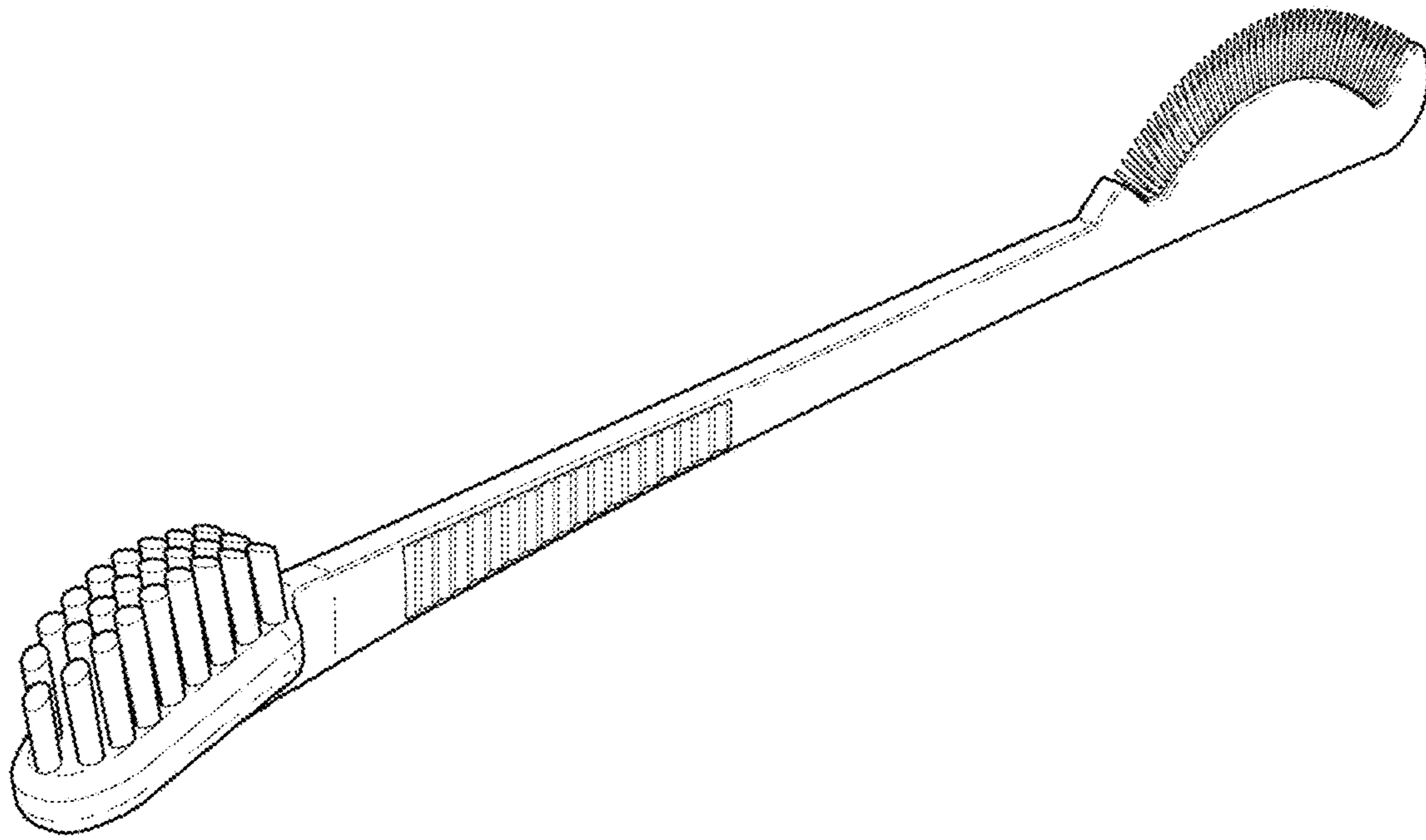
DESCRIPTION

- 1. Hair brush
- 1.1 : Perspective
- 1.2 : Right
- 1.3 : Left
- 1.4 : Front
- 1.5 : Back
- 1.6 : Top
- 1.7 : Bottom
- 1.8 : Perspective

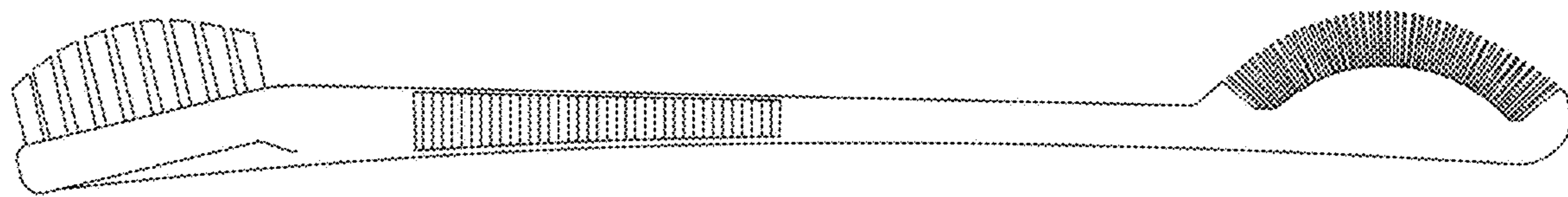
1 Claim, 8 Drawing Sheets



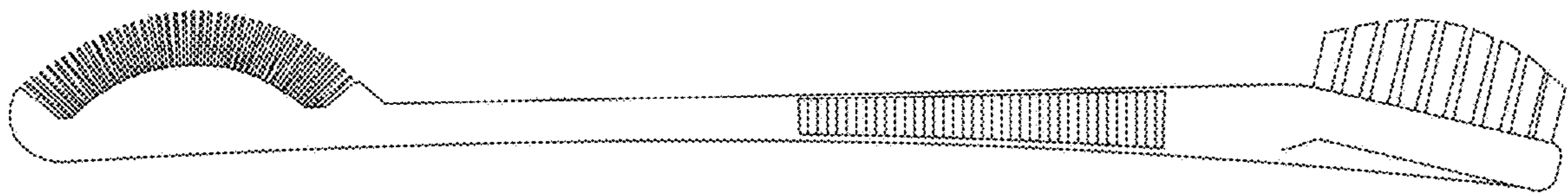
1.1



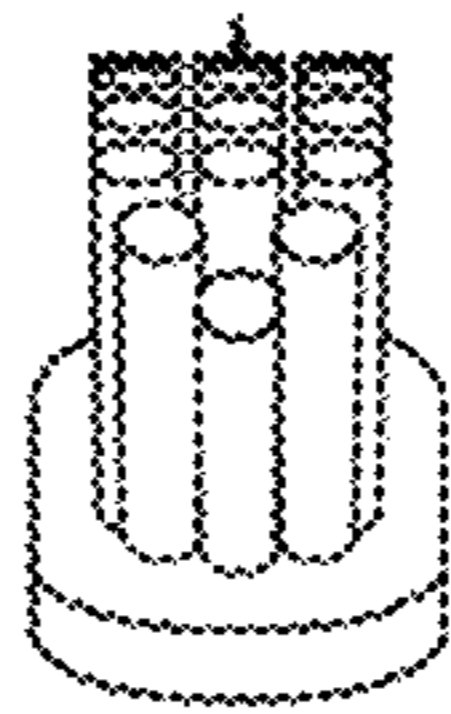
1.2

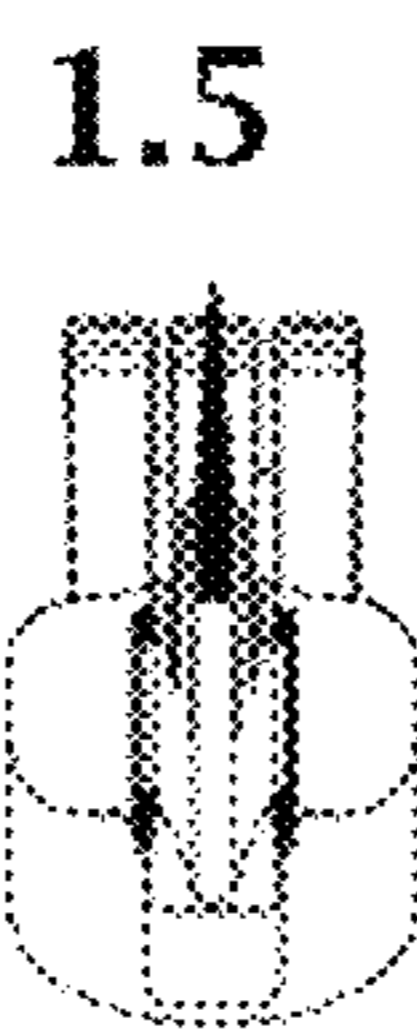


1.3

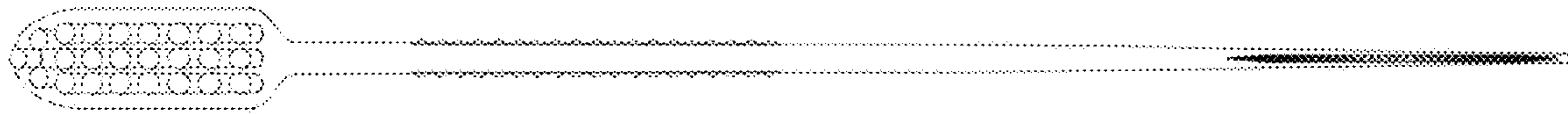


1.4

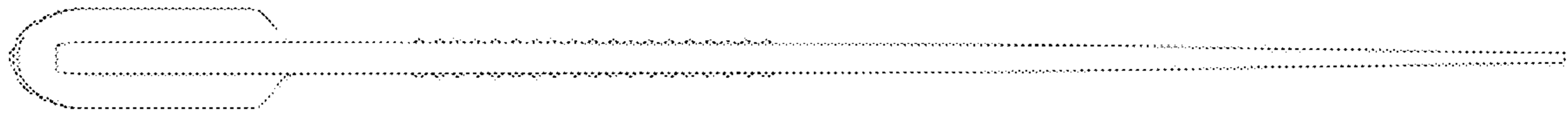




1.6



1.7



1.8

