



US00D855328S

(12) **United States Design Patent** (10) **Patent No.:** **US D855,328 S**
Tobyansen et al. (45) **Date of Patent:** **** Aug. 6, 2019**

(54) **BACKPACK WITH CONCEALED MIRROR**

OTHER PUBLICATIONS

(71) Applicant: **EASTON DIAMOND SPORTS, LLC**,
Thousand Oaks, CA (US)

Soffe, Intensity on Deck Bat Backpack, <http://www.soffebusiness.com/intensity-athletics/for-her/accessories/on-deck-bat-backpackn1008w.html>, known to be publically available as early as Mar. 8, 2017.

(72) Inventors: **Julie Tobyansen**, Thousand Oaks, CA (US); **Abraham Peters**, Thousand Oaks, CA (US); **Scott Bilodeau**, Thousand Oaks, CA (US)

* cited by examiner

(73) Assignee: **EASTON DIAMOND SPORTS, LLC**,
Thousand Oaks, CA (US)

Primary Examiner — Holly H Baynham

(74) *Attorney, Agent, or Firm* — Perkins Coie LLP

(**) Term: **15 Years**

(57) **CLAIM**

(21) Appl. No.: **29/654,335**

The ornamental design for a backpack with concealed mirror, as shown and described.

(22) Filed: **Jun. 22, 2018**

DESCRIPTION

Related U.S. Application Data

(62) Division of application No. 29/597,010, filed on Mar. 13, 2017, now Pat. No. Des. 834,316.

FIG. 1 is a front, top and left side perspective view showing our new design, with the top flap down or closed.

(51) **LOC (12) Cl.** **03-01**

FIG. 2 is a front view.

(52) **U.S. Cl.**

FIG. 3 is a back view.

USPC **D3/318**

FIG. 4 is a left side view.

(58) **Field of Classification Search**

USPC D3/318, 216–217

FIG. 5 is a right side view.

CPC A45C 11/18; A45C 11/182; A45F 4/02;
A45F 3/04

FIG. 6 is a top view.

See application file for complete search history.

FIG. 7 is a bottom view.

FIG. 8 is a front, top and left side perspective view showing the backpack with concealed mirror of FIGS. 1 to 7 with the top flap up or open.

(56) **References Cited**

FIG. 9 is a front view.

U.S. PATENT DOCUMENTS

FIG. 10 is a back view.

D246,591 S *	12/1977	Sollazzi	190/100
5,503,204 A	4/1996	Byers et al.	
D507,881 S	8/2005	Kotorov et al.	
7,604,102 B2	10/2009	Albritton et al.	
D677,897 S *	3/2013	Jones	D3/318
8,403,011 B1	3/2013	McKendry	
D773,191 S *	12/2016	Yeung	D3/318
D833,148 S *	11/2018	Fusi	D3/318

FIG. 11 is a left side view.

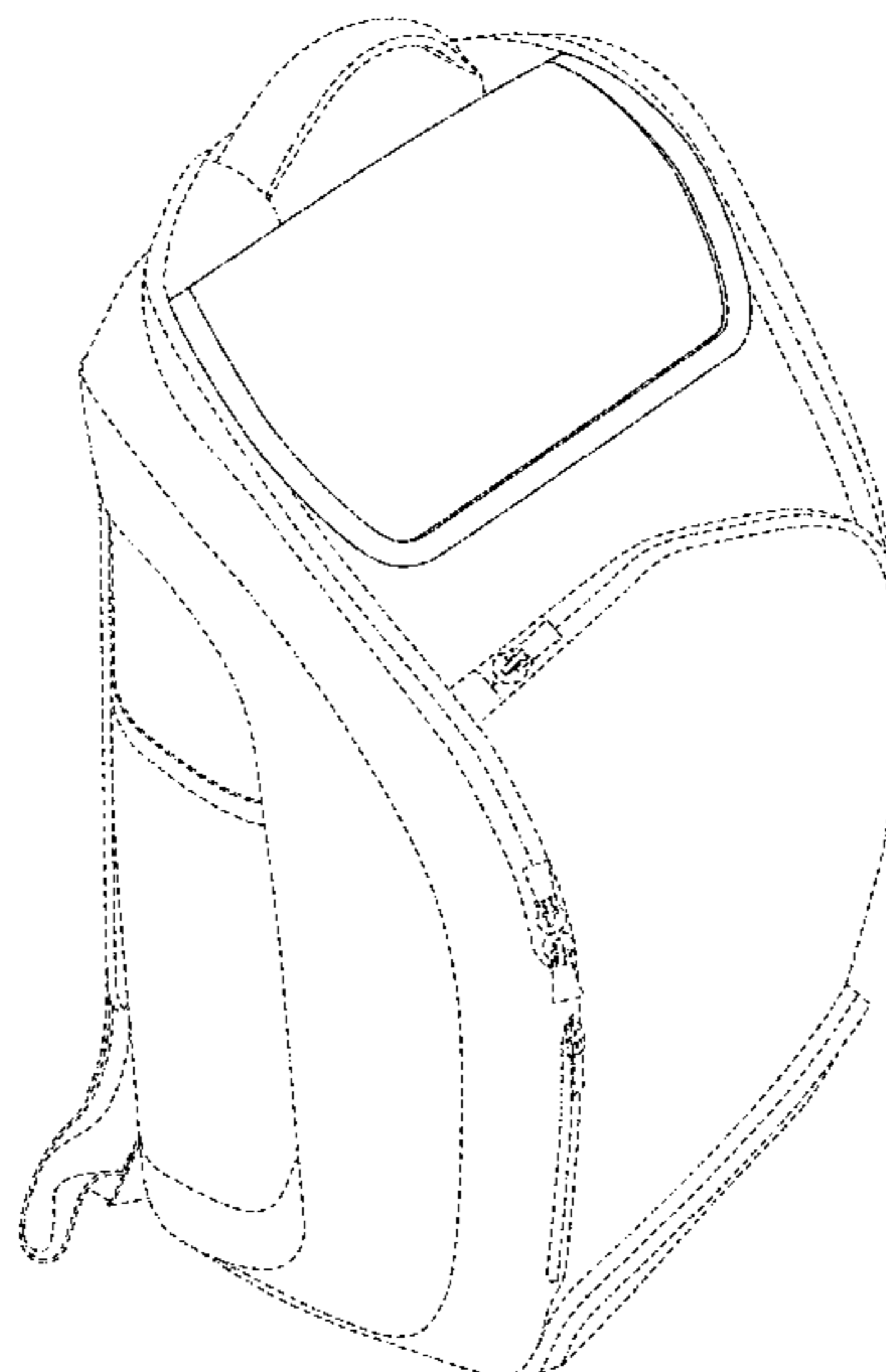
FIG. 12 is a right side view.

FIG. 13 is a top view; and,

FIG. 14 is a bottom view.

The broken lines showing a backpack are for the purposes of illustrating environment and form no part of the claimed design.

1 Claim, 14 Drawing Sheets



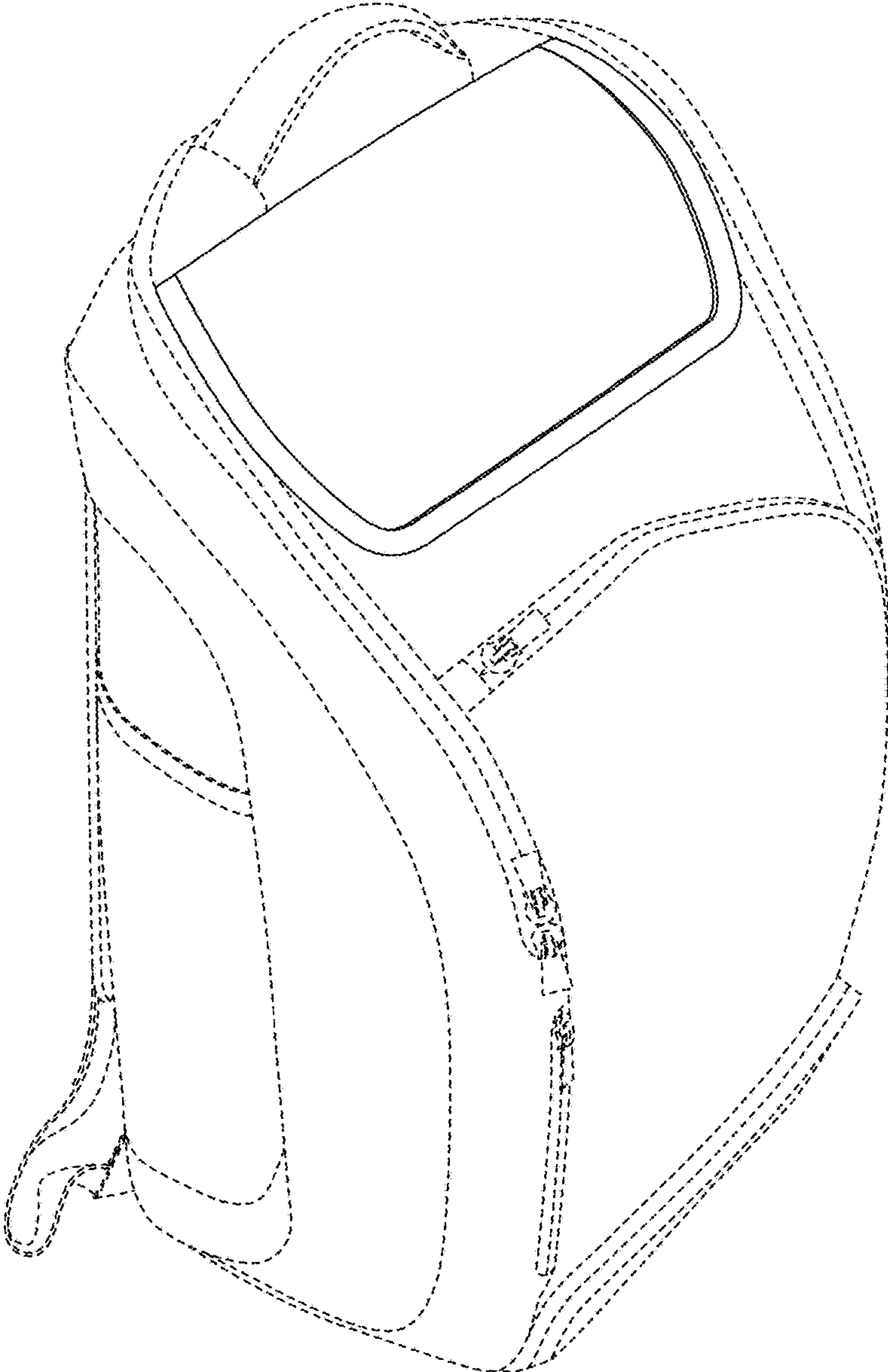


FIG. 1

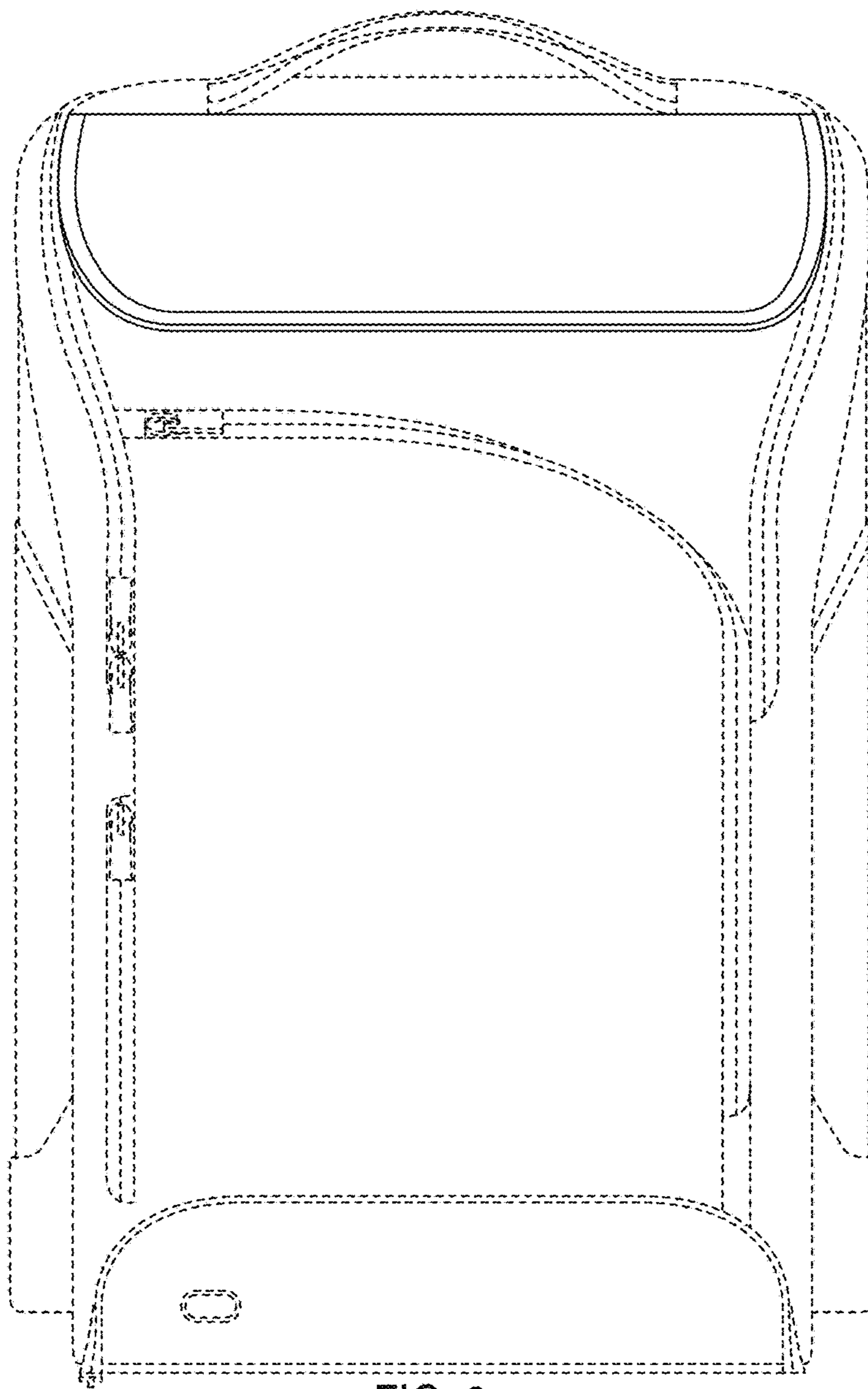


FIG. 2

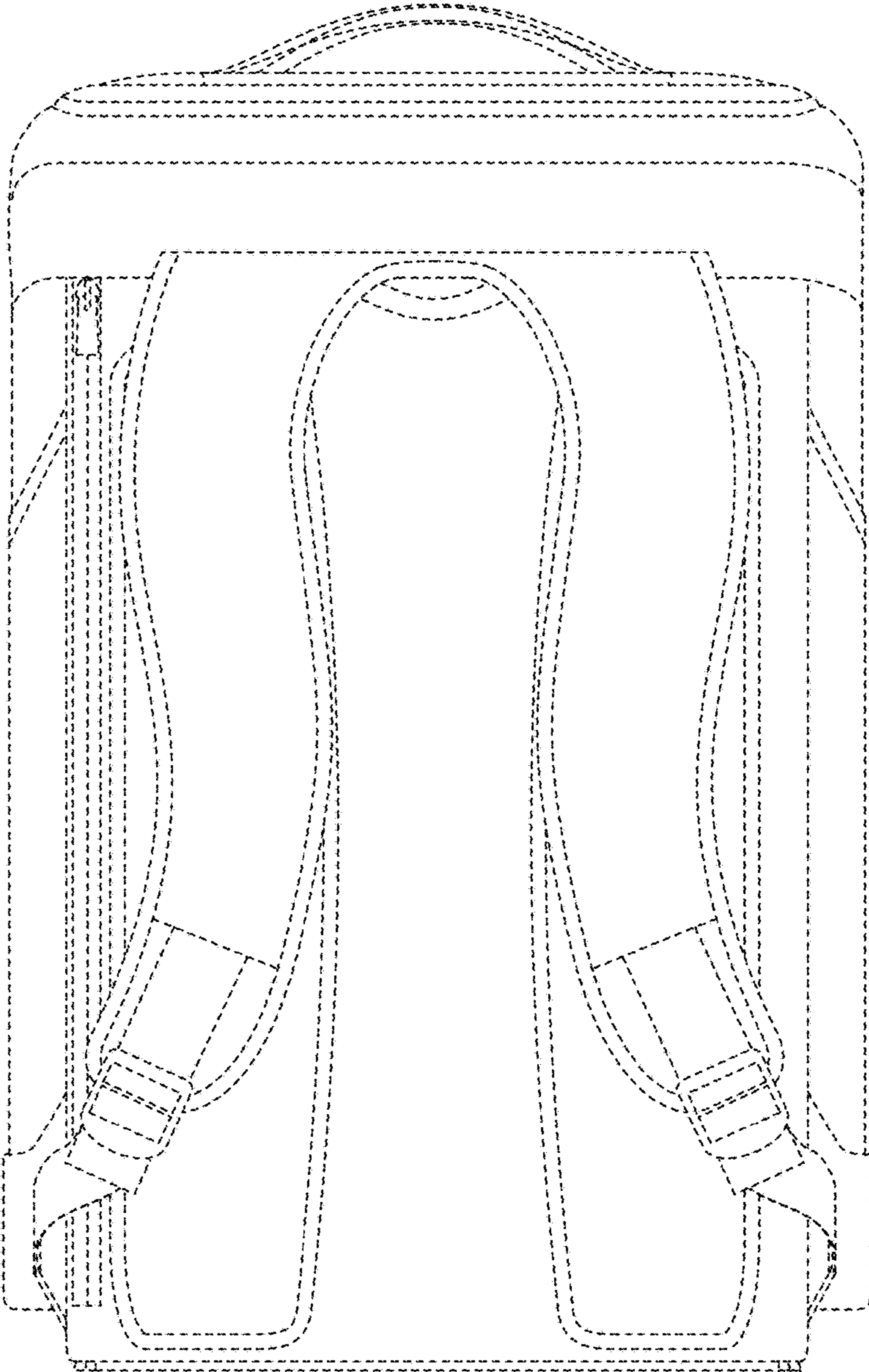


FIG. 3

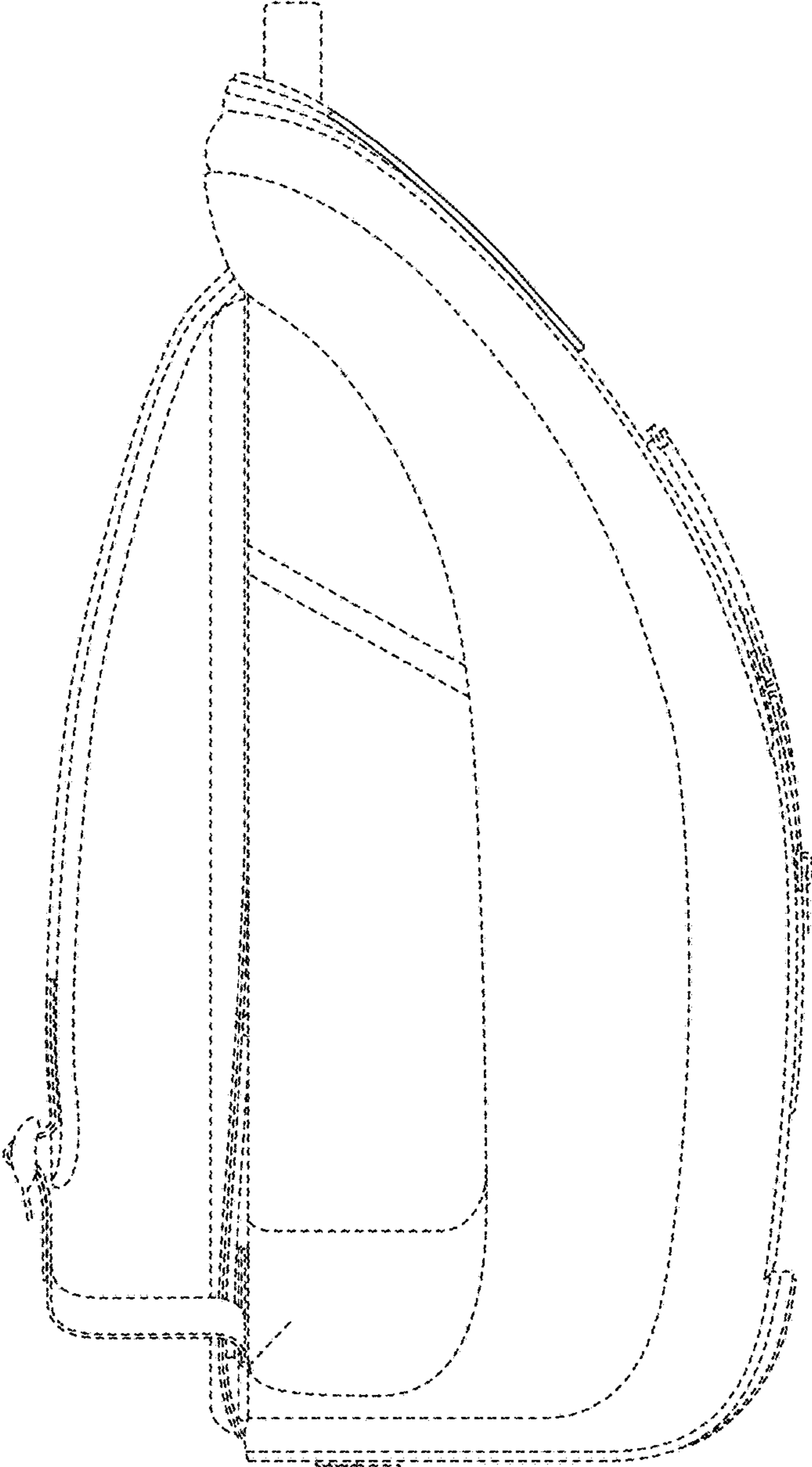


FIG. 4

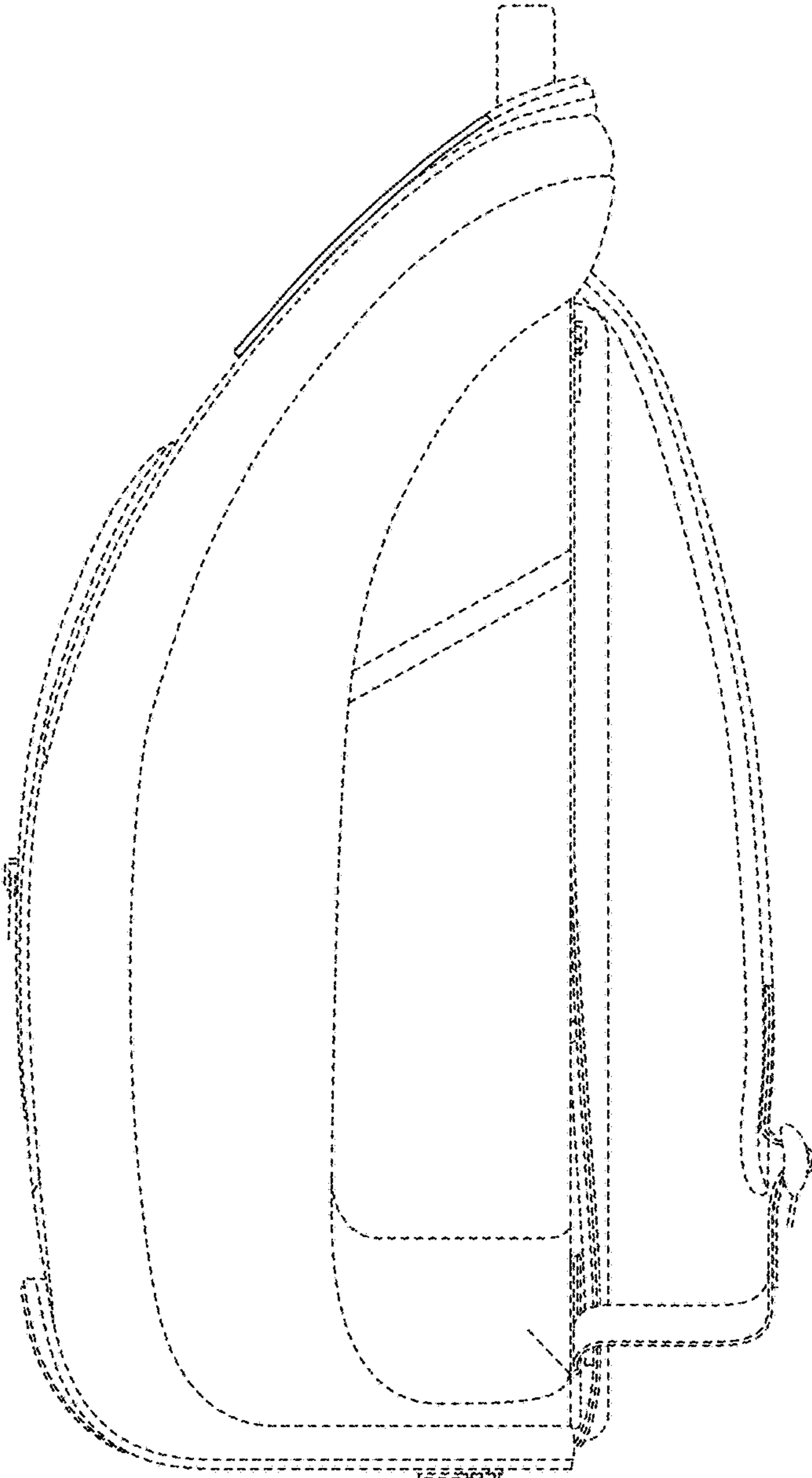


FIG. 5

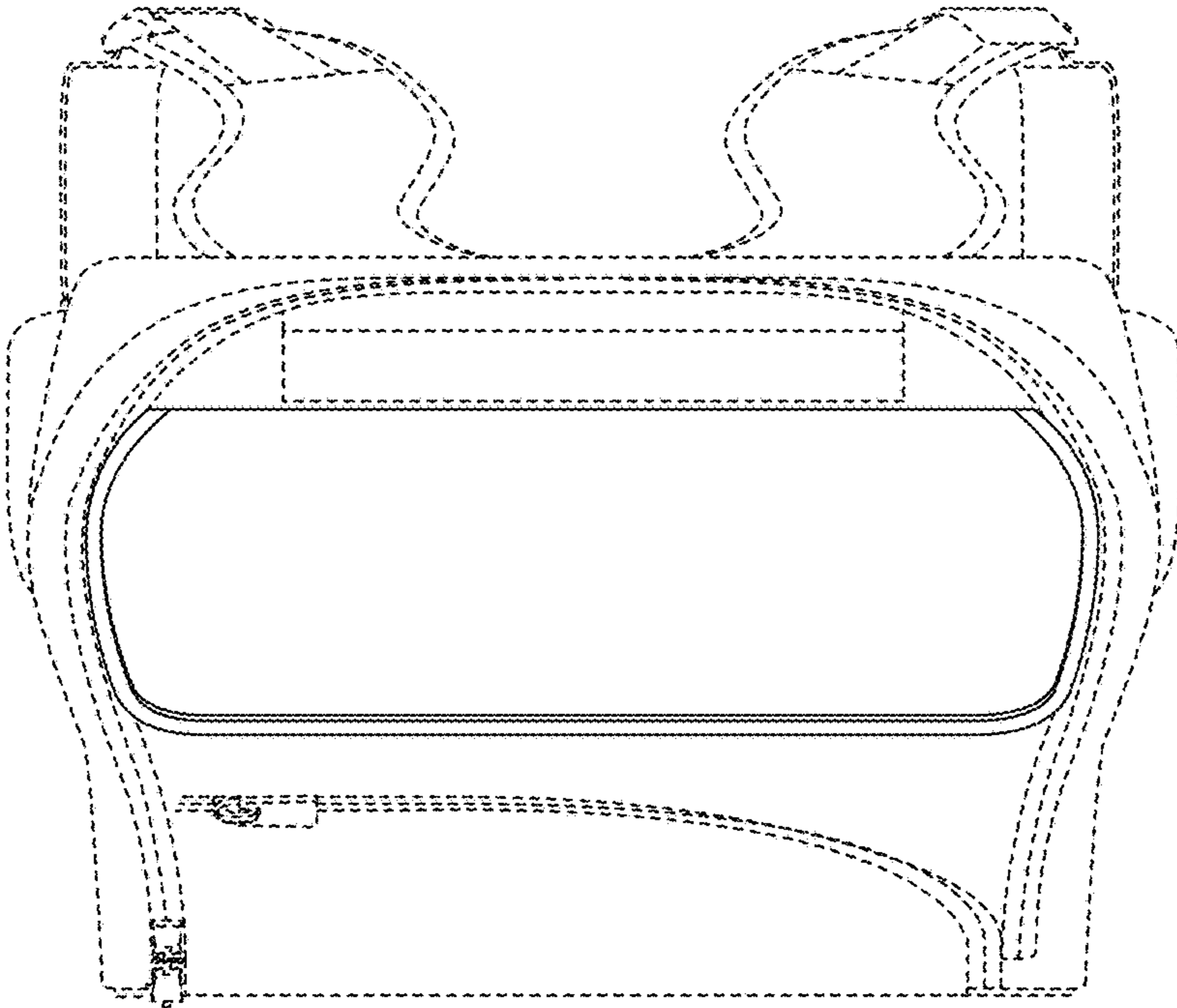


FIG. 6

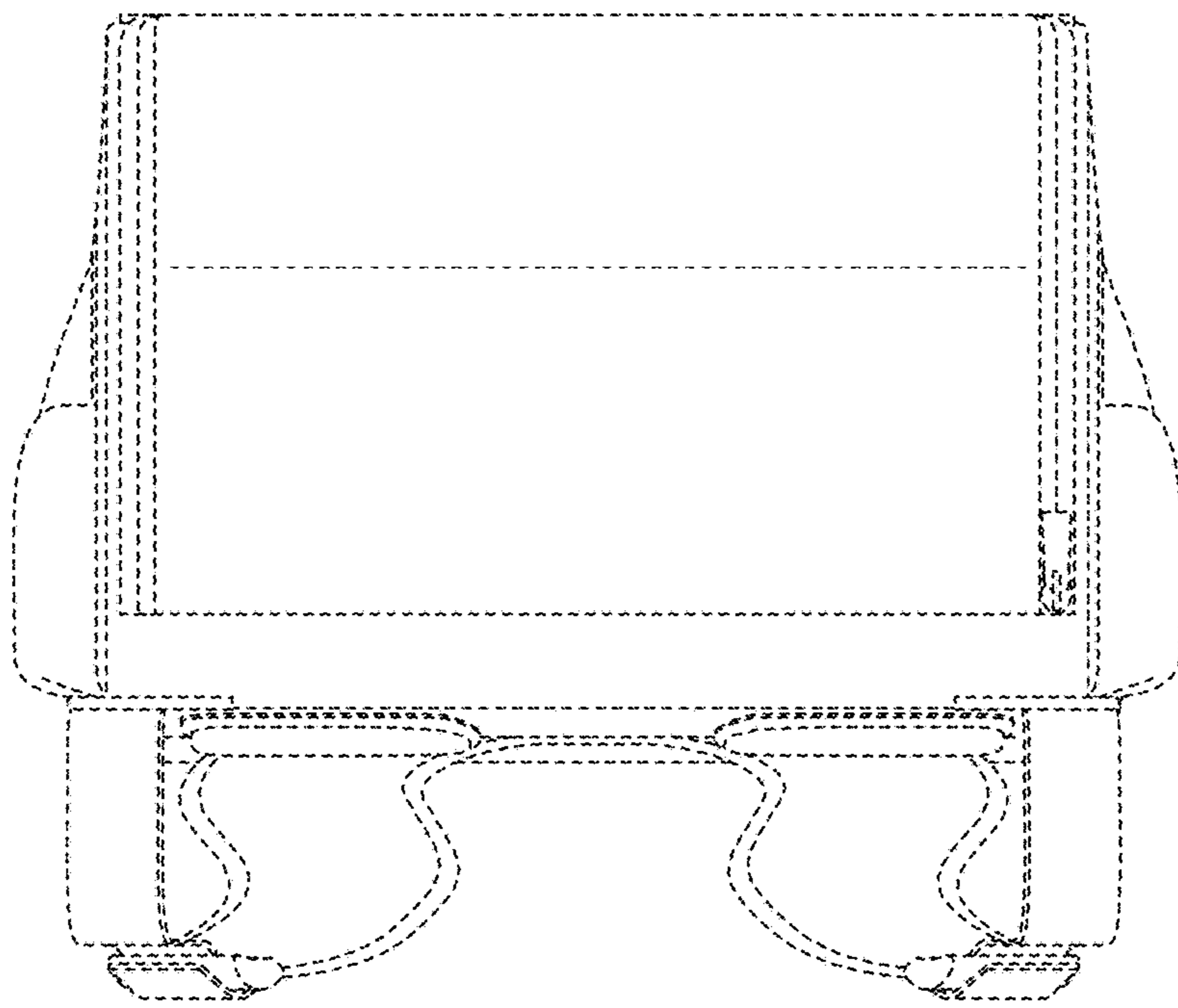


FIG. 7

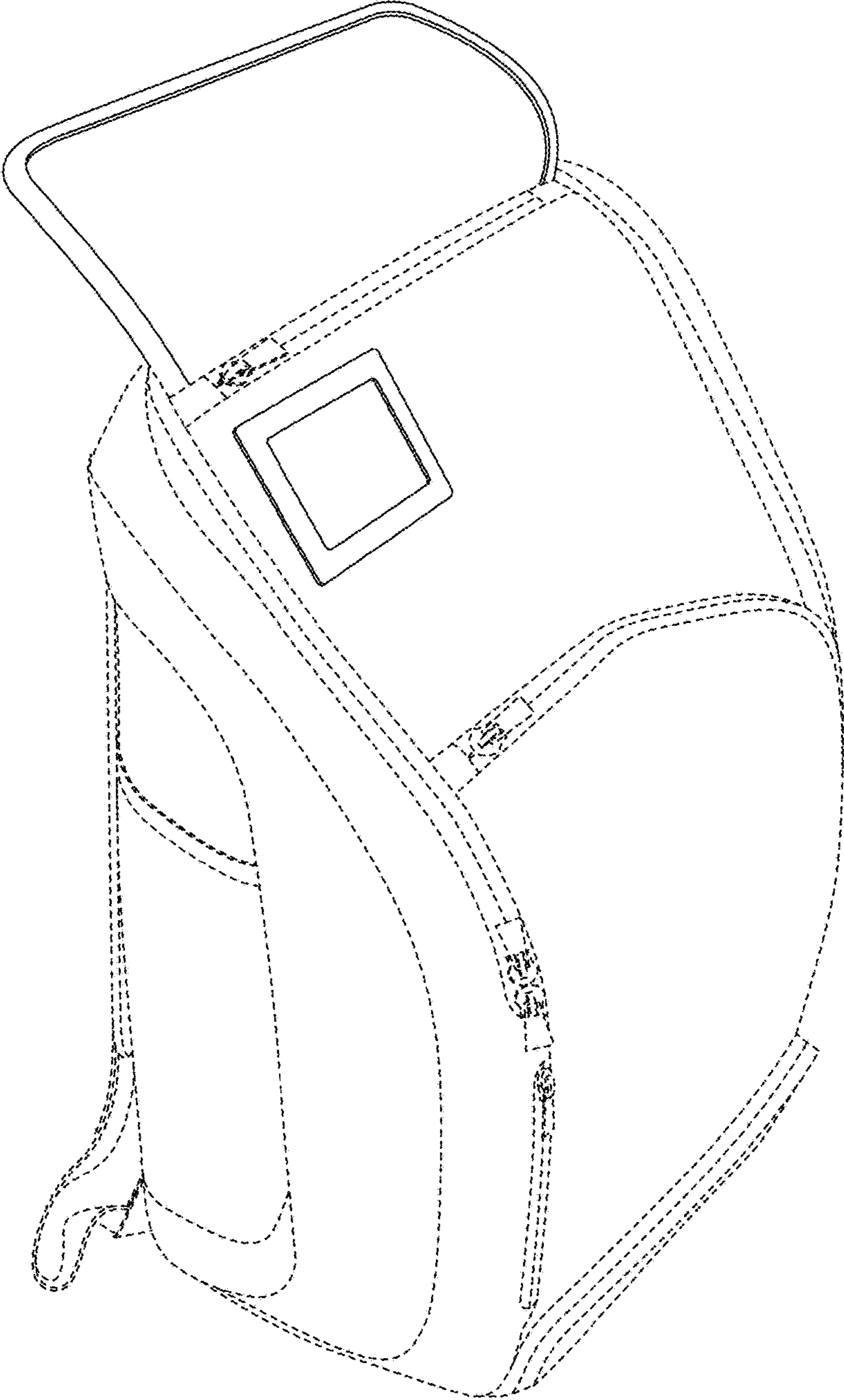


FIG. 8

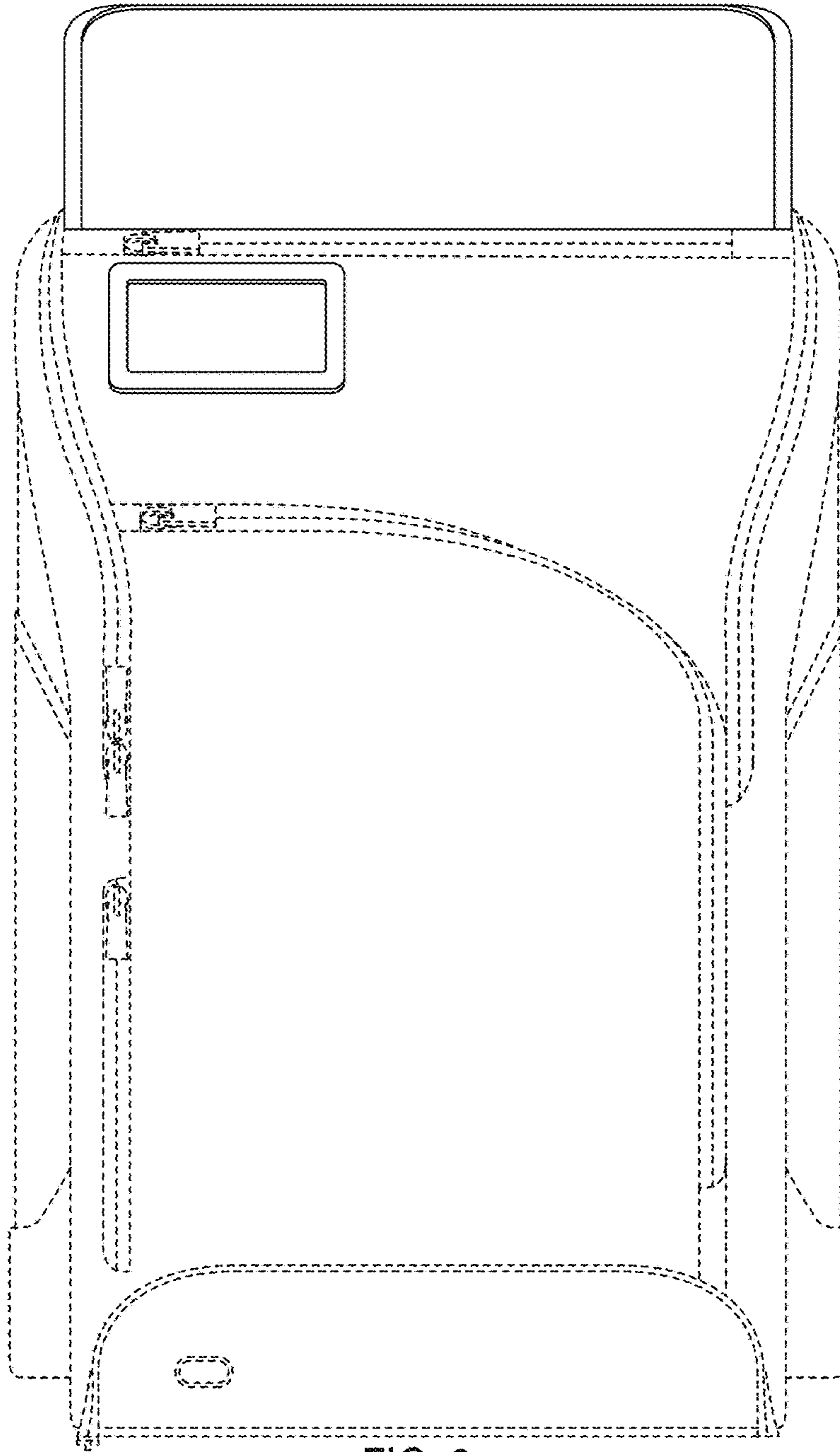


FIG. 9

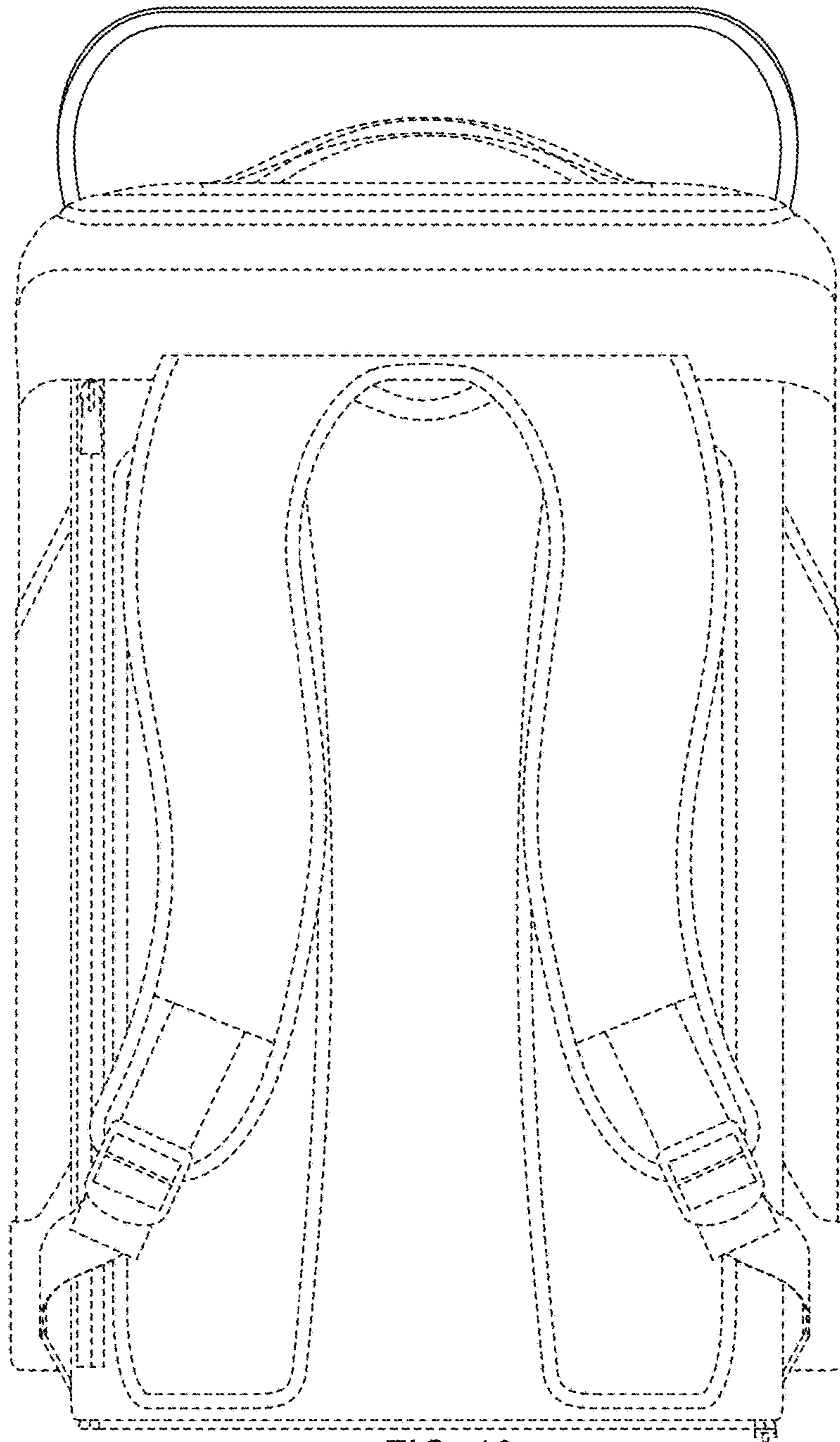


FIG. 10

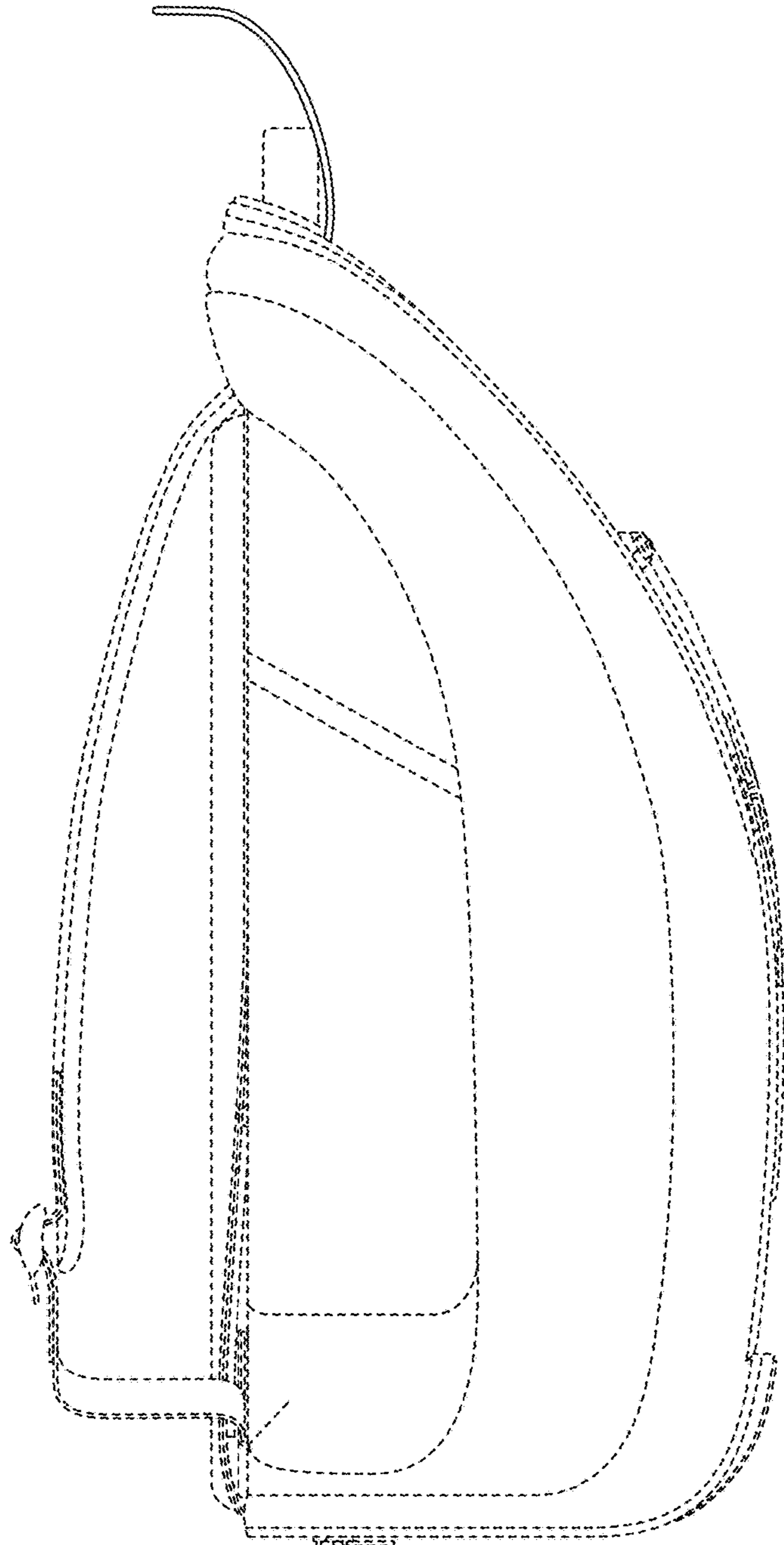


FIG. 11

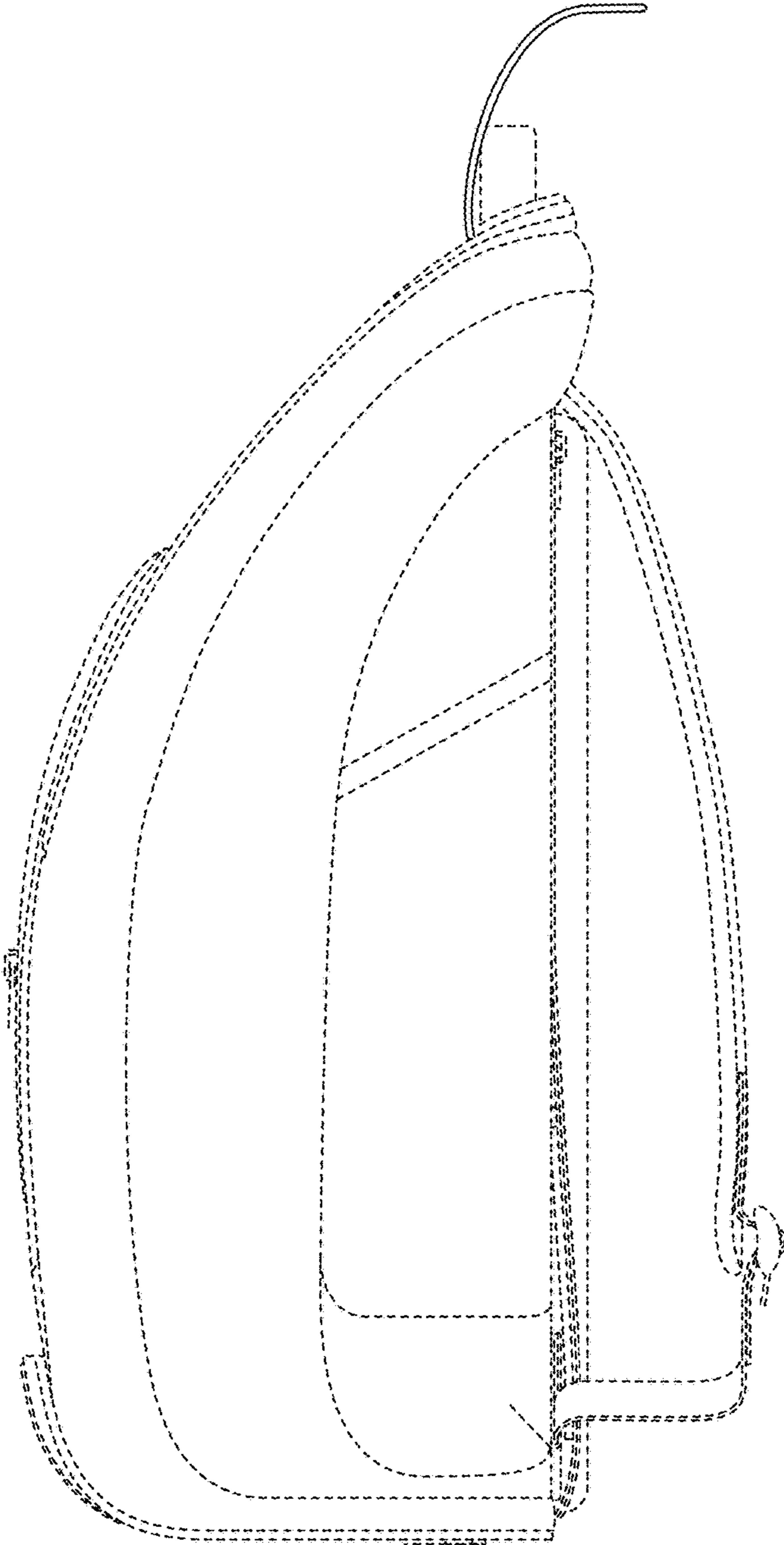


FIG. 12

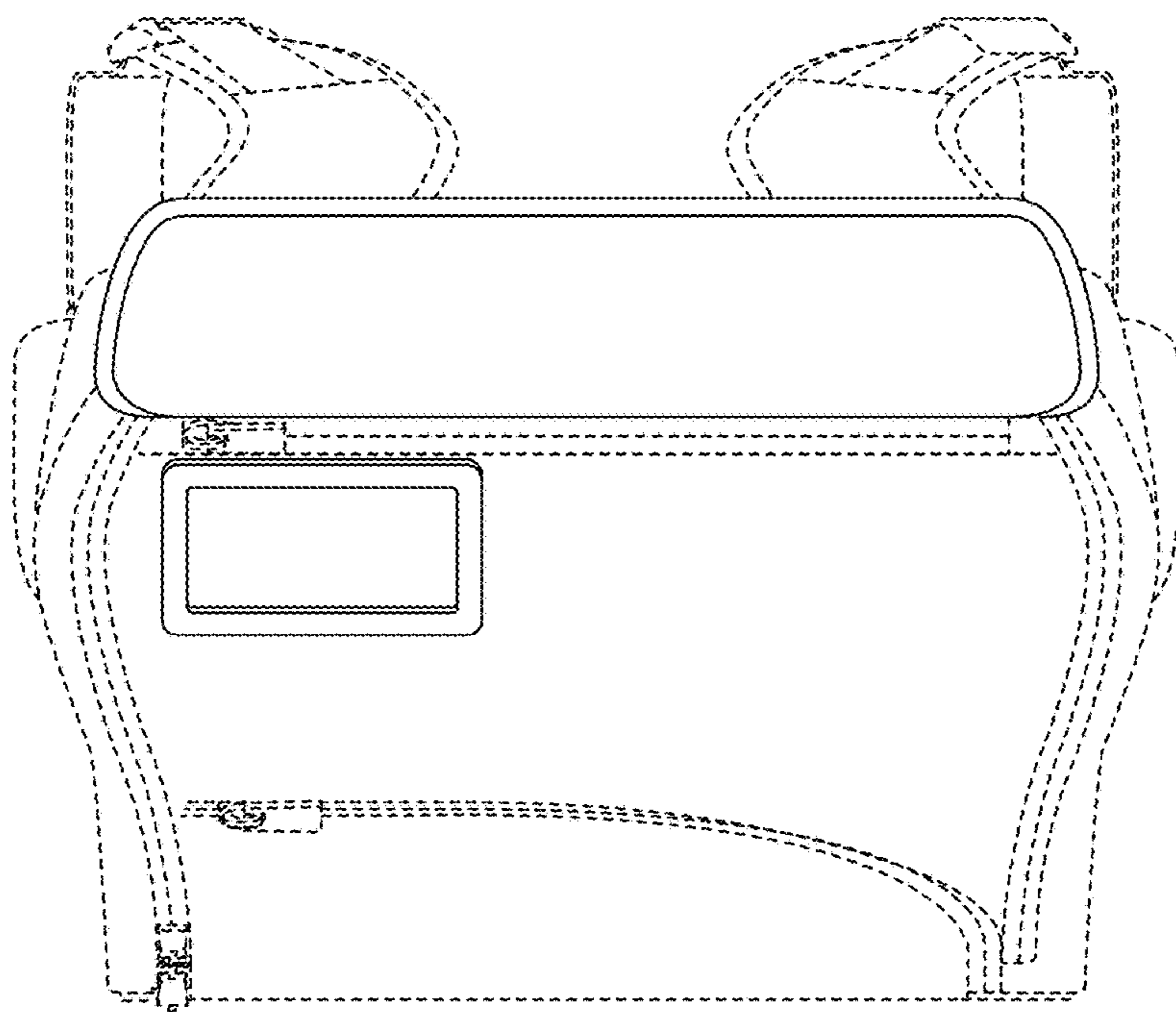


FIG. 13

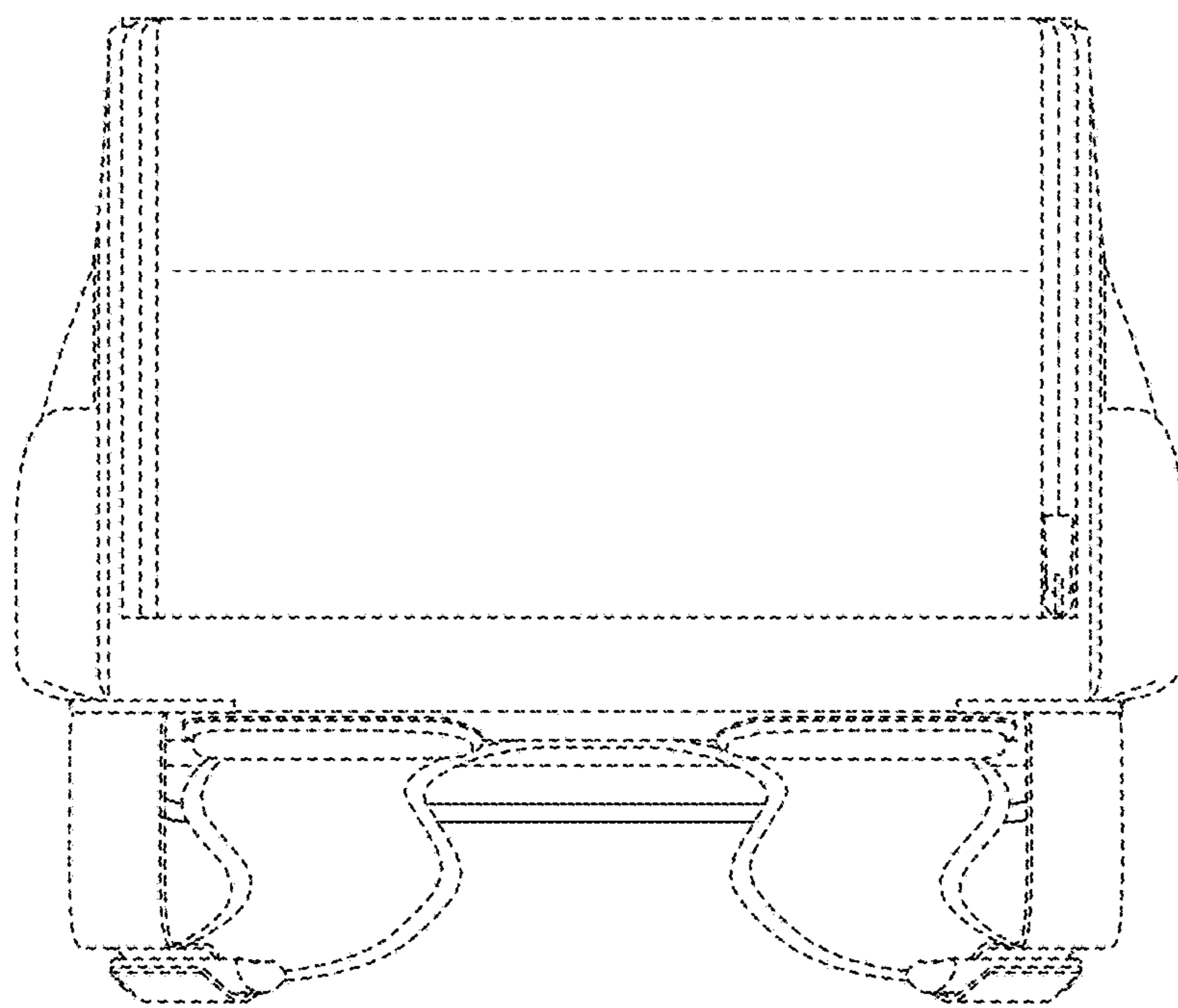


FIG. 14