



US00D855327S

(12) **United States Design Patent** (10) **Patent No.:** **US D855,327 S**
Vevers et al. (45) **Date of Patent:** **** *Aug. 6, 2019**

(54) **HAND BAG**

(56) **References Cited**

(71) Applicant: **Coach IP Holdings LLC**, New York, NY (US)

U.S. PATENT DOCUMENTS

(72) Inventors: **Stuart Vevers**, New York, NY (US);
Hae Young Kim, New York, NY (US)

D707,963 S *	7/2014	Szewczyk	D3/232
D730,643 S *	6/2015	Langer	D3/232
D751,286 S *	3/2016	Maier	D3/232
D768,379 S *	10/2016	Luo	D3/232

(73) Assignee: **Coach IP Holdings LLC**, New York, NY (US)

* cited by examiner

(*) Notice: This patent is subject to a terminal disclaimer.

Primary Examiner — Holly H Baynham

(**) Term: **15 Years**

(74) *Attorney, Agent, or Firm* — Honigman LLP

(21) Appl. No.: **29/644,126**

(57) **CLAIM**

The ornamental design for a hand bag, as shown and described.

(22) Filed: **Apr. 14, 2018**

DESCRIPTION

Related U.S. Application Data

(62) Division of application No. 29/593,840, filed on Feb. 13, 2017, now Pat. No. Des. 835,413.

FIG. 1 is a front-bottom perspective view of a hand bag, showing our new design;
FIG. 2 is a rear-top perspective thereof;
FIG. 3 is a front view thereof;
FIG. 4 is a rear view thereof.
FIG. 5 is a top plan view thereof;
FIG. 6 is a bottom plan view thereof;
FIG. 7 is a right side view thereof; and,
FIG. 8 is a left side view thereof.

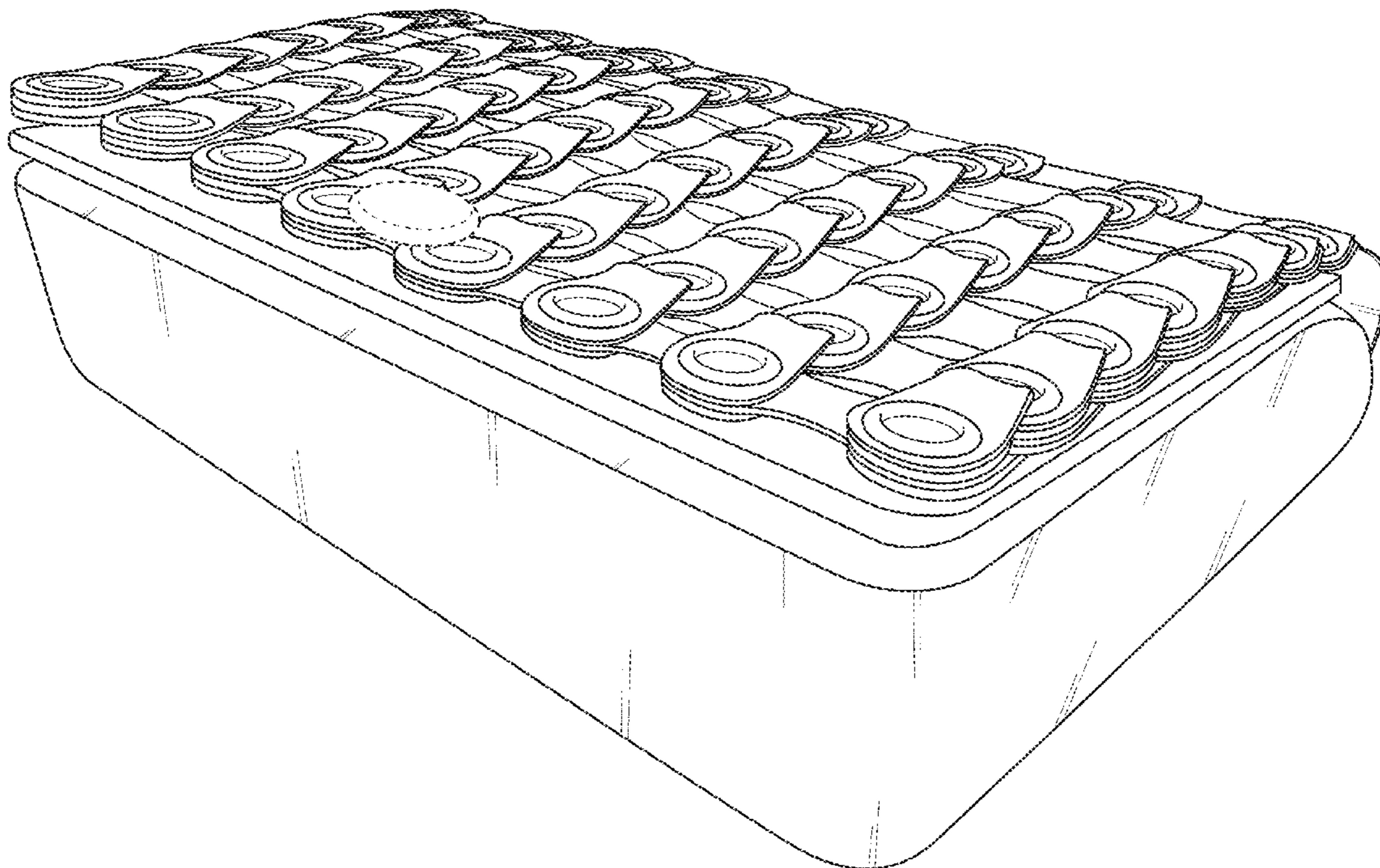
(51) **LOC (12) Cl.** **03-01**

(52) **U.S. Cl.**
USPC **D3/318**

(58) **Field of Classification Search**
USPC D3/232-233, 240-243, 245-246
CPC A45C 1/024; A45C 3/06
See application file for complete search history.

The dashed lines in the drawings depict portions of the design that form no part of the claim.

1 Claim, 8 Drawing Sheets



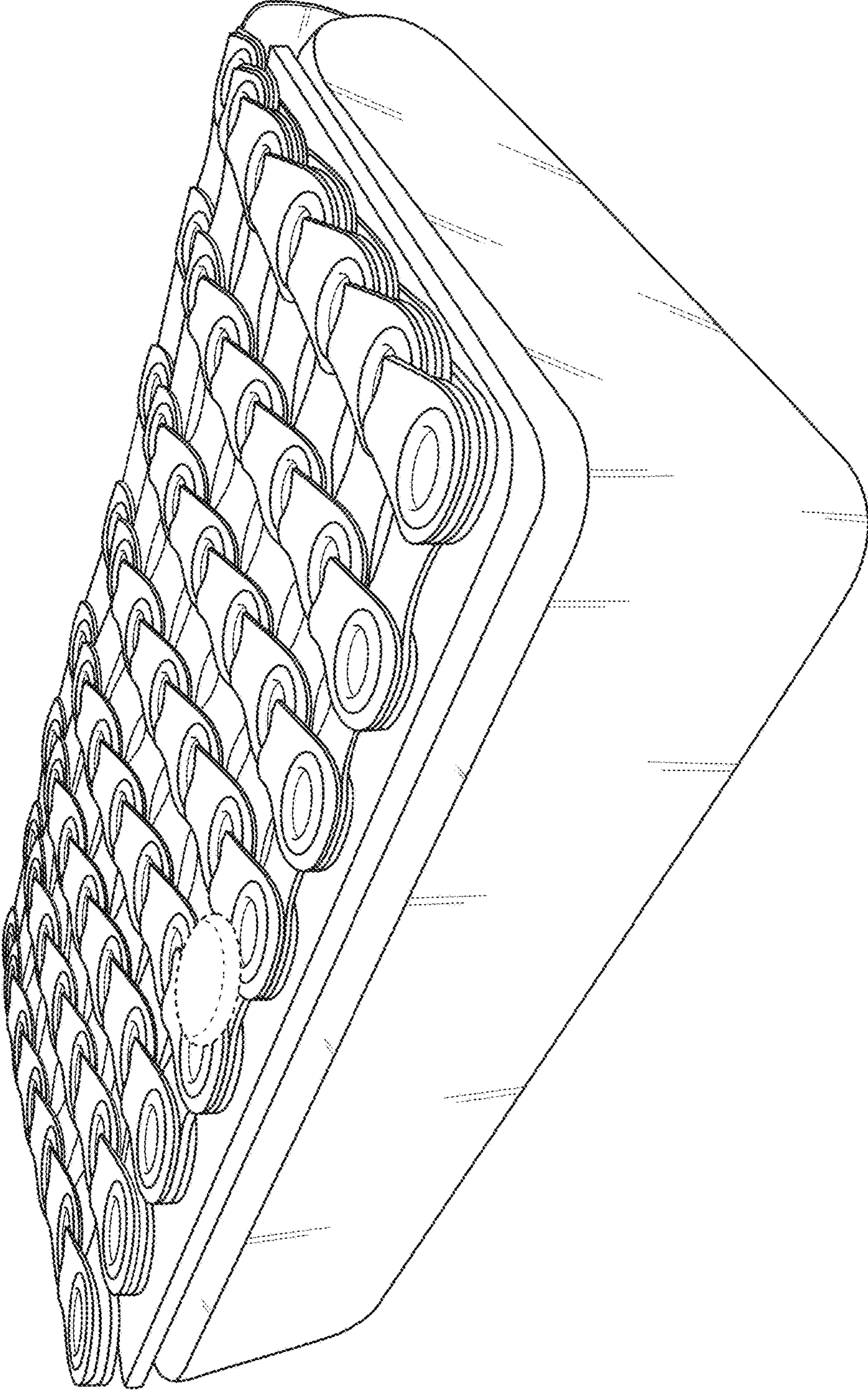


FIG. 1



FIG. 2

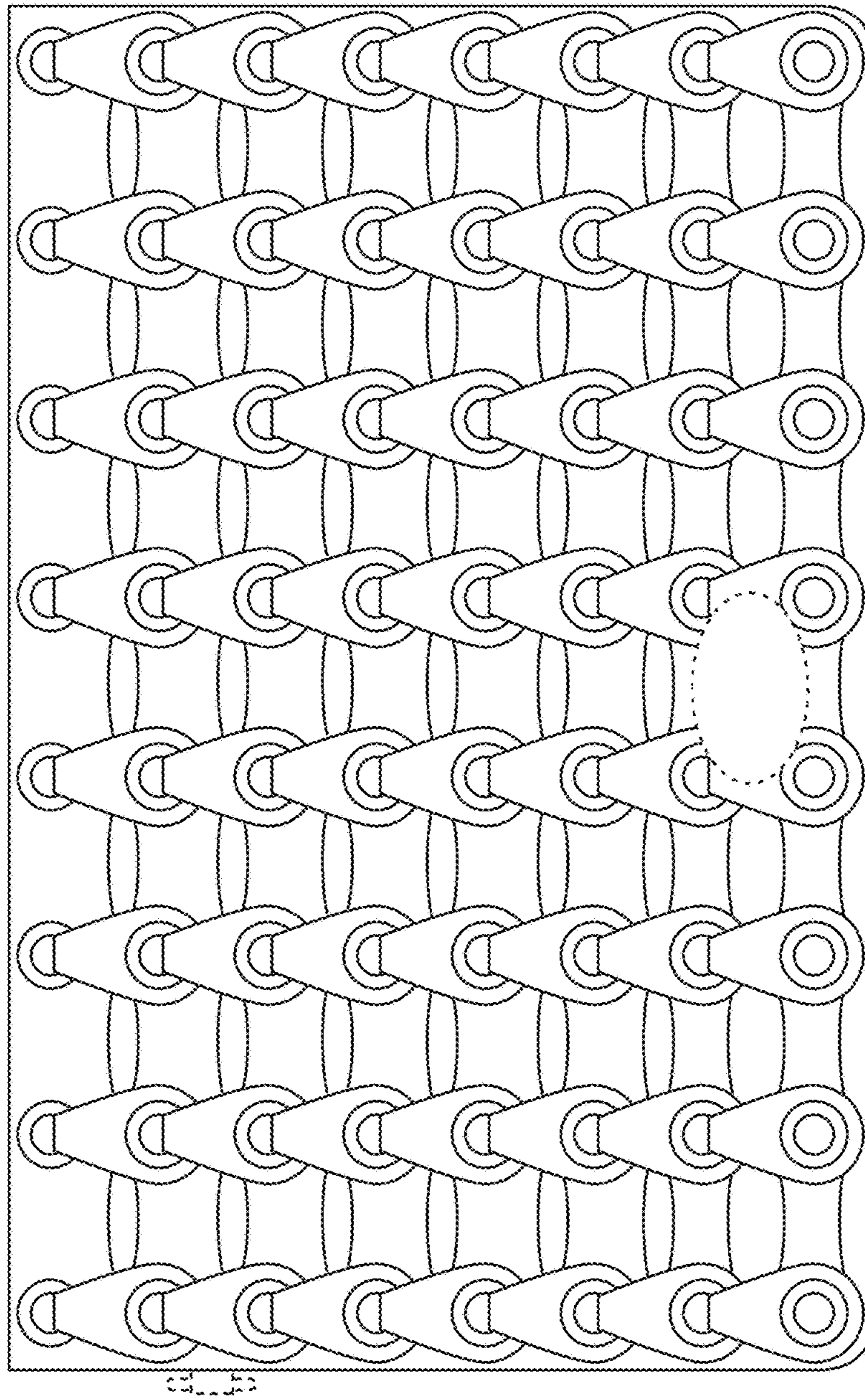


FIG. 3

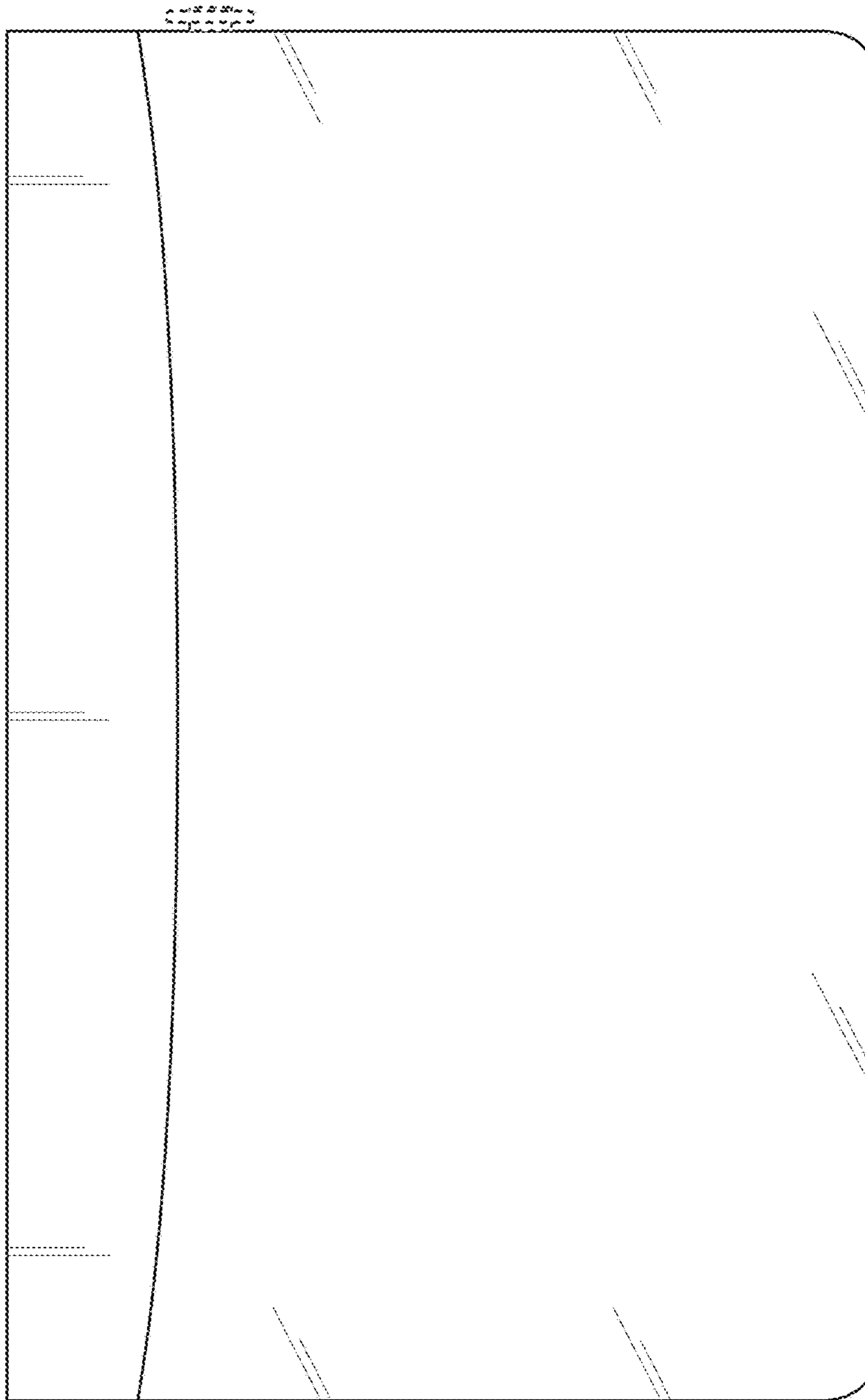


FIG. 4

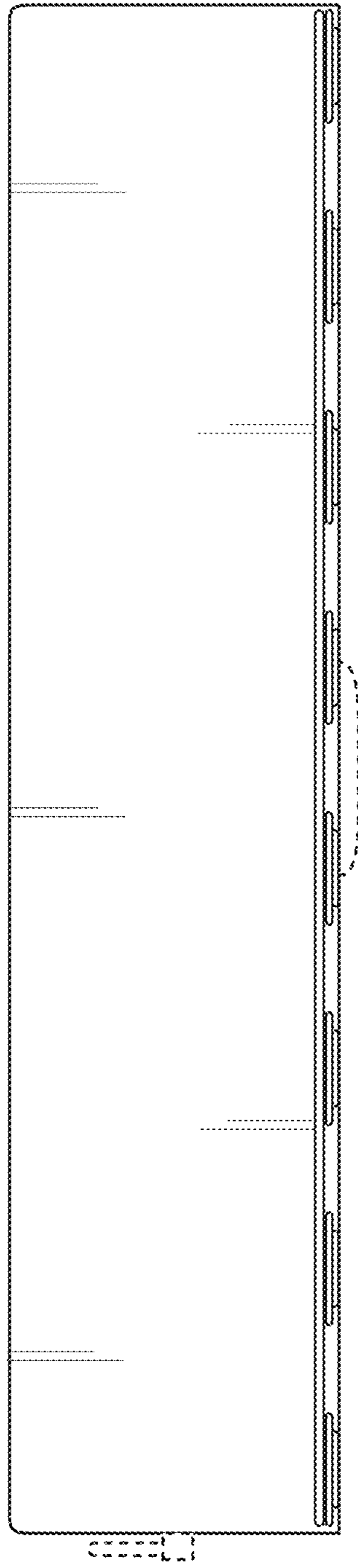


FIG. 5

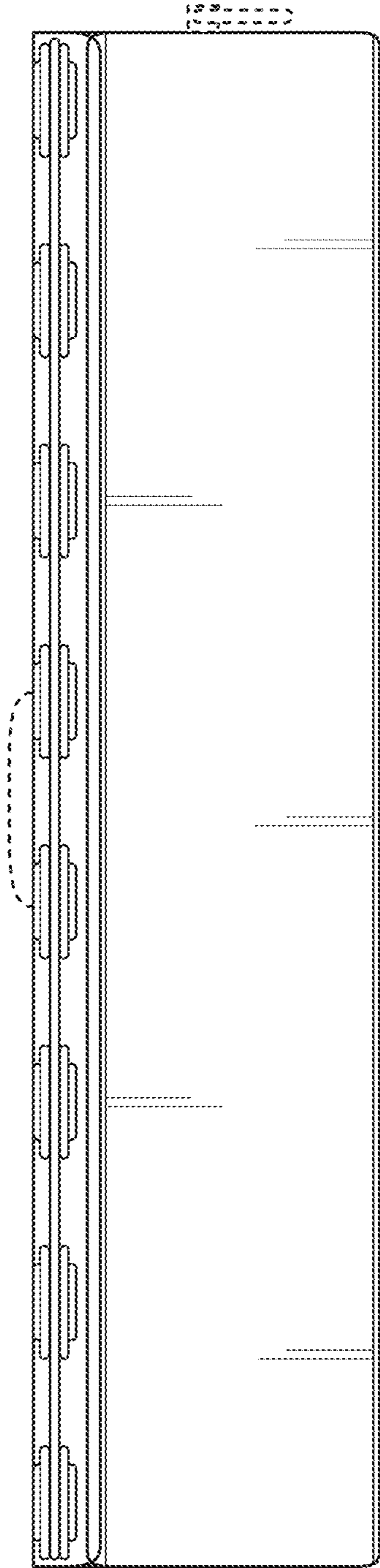


FIG. 6

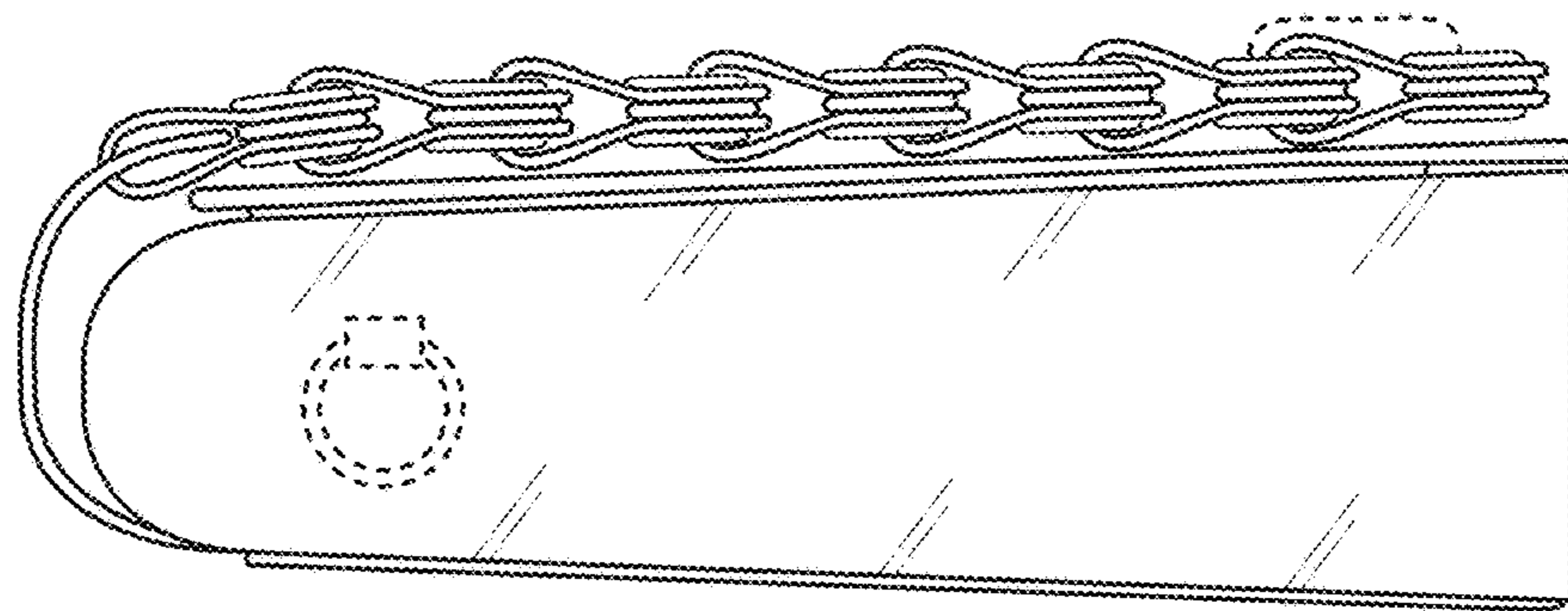


FIG. 7

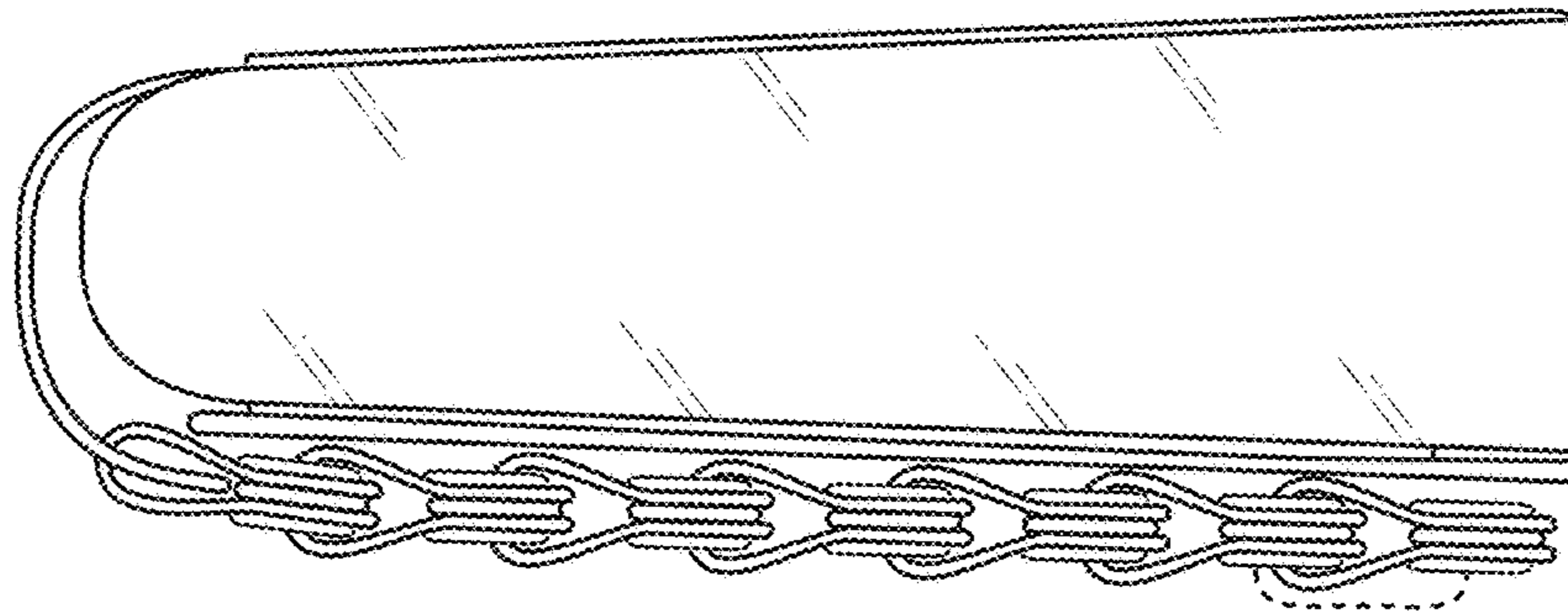


FIG. 8