



US00D855325S

(12) **United States Design Patent** (10) **Patent No.:** **US D855,325 S**
Nelson (45) **Date of Patent:** **** Aug. 6, 2019**

(54) **STORAGE TOTE**

DESCRIPTION

(71) Applicant: **Home Depot Product Authority, LLC**,
Atlanta, GA (US)
(72) Inventor: **Michael Nelson**, Peachtree City, GA
(US)
(73) Assignee: **Home Depot Product Authority, LLC**,
Atlanta, GA (US)
(**) Term: **15 Years**
(21) Appl. No.: **29/631,414**
(22) Filed: **Dec. 29, 2017**
(51) **LOC (12) Cl.** **03-01**
(52) **U.S. Cl.**
USPC **D3/318**
(58) **Field of Classification Search**
USPC D3/318, 273, 289, 294
(Continued)

FIG. 1 is a front perspective view of a first embodiment of my design;
FIG. 2 is a front view thereof, the rear view being a mirror image thereof;
FIG. 3 is a left side view thereof, the right side being a mirror image thereof;
FIG. 4 is a top view thereof;
FIG. 5 is a bottom view thereof;
FIG. 6 is a rear perspective view thereof;
FIG. 7 is a front perspective view of a second embodiment of my design;
FIG. 8 is a front view thereof, the rear view being a mirror image thereof;
FIG. 9 is a left side view thereof, the right side being a mirror image thereof;
FIG. 10 is a top view thereof;
FIG. 11 is a bottom view thereof;
FIG. 12 is a rear perspective view thereof;
FIG. 13 is a front perspective view of a third embodiment of my design;
FIG. 14 is a front view thereof, the rear view being a mirror image thereof;
FIG. 15 is a left side view thereof, the right side being a mirror image thereof;
FIG. 16 is a top view thereof;
FIG. 17 is a bottom view thereof;
FIG. 18 is a rear perspective view thereof;
FIG. 19 is a front perspective view of a fourth embodiment of my design;
FIG. 20 is a front view thereof, the rear view being a mirror image thereof;
FIG. 21 is a left side view thereof, the right side being a mirror image thereof;
FIG. 22 is a top view thereof;
FIG. 23 is a bottom view thereof; and,
FIG. 24 is a rear perspective view thereof.
The dashed lines in the figures form no part of the claimed design. The long-short dashed lines that abut a claimed surface represent an unclaimed boundary between claimed and unclaimed surfaces and form no part of the claimed design. All other surface(s) or portion(s) of my design not shown in the figures or otherwise described in the specification, such as the interior of the storage tote, form no part of the claimed design.

(56) **References Cited**

U.S. PATENT DOCUMENTS

D297,875 S * 9/1988 Carville D3/318
D397,552 S 9/1998 Rutledge
(Continued)

OTHER PUBLICATIONS

<https://www.walmart.com/ip/Rubbermaid-Roughneck-Storage-Tote/117698092?wmlspartner...>, Rubbermaid Roughneck Storage Tote, Dec. 8, 2017, 3 pgs.

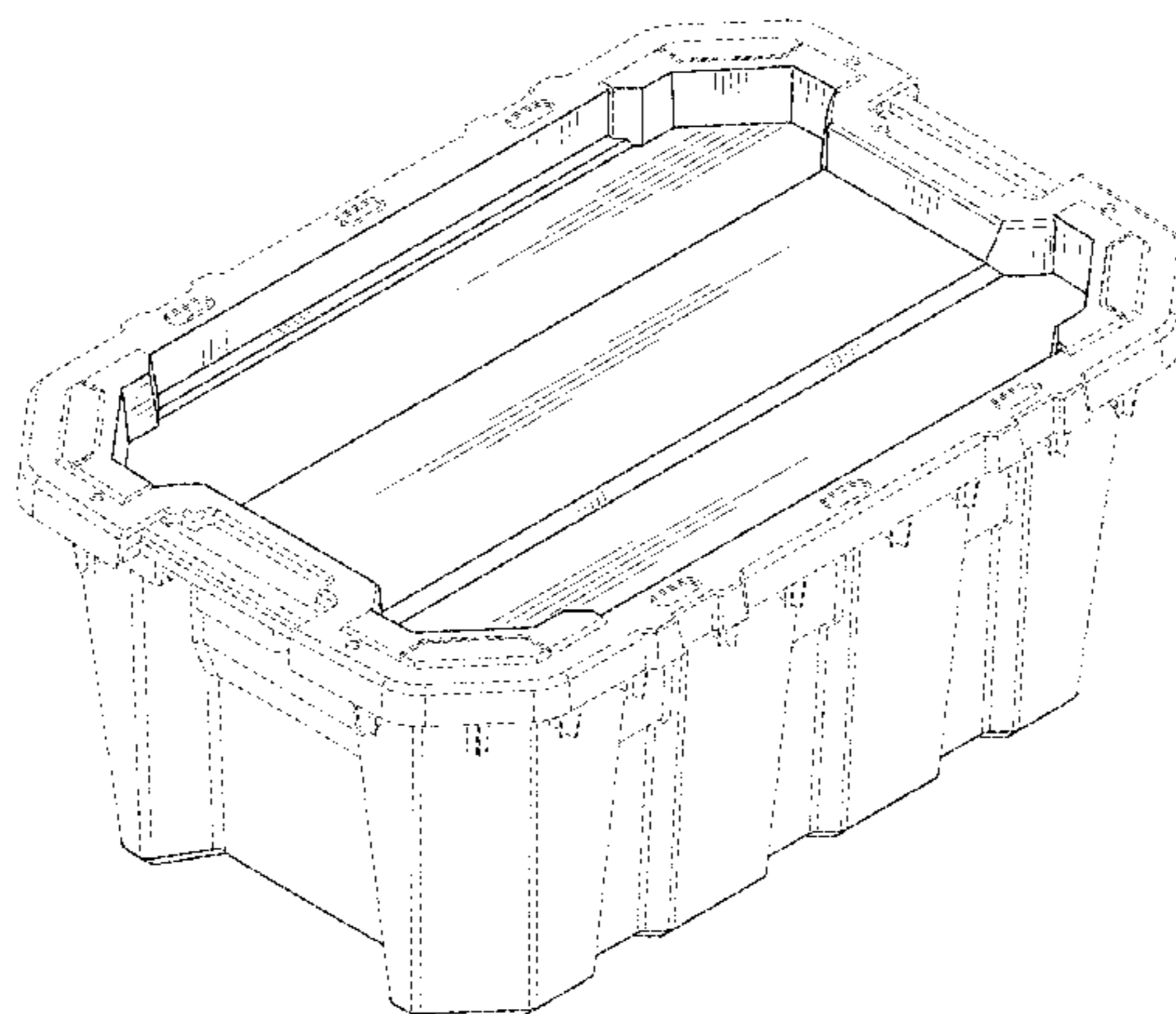
(Continued)

Primary Examiner — Holly H Baynham
(74) *Attorney, Agent, or Firm* — Greenberg Traurig, LLP

(57) **CLAIM**

I claim the ornamental design for a storage tote, as shown and described.

1 Claim, 24 Drawing Sheets



(58) **Field of Classification Search**

CPC B65D 41/38; B65D 41/56; B65D 41/62;
B65D 47/00; B65D 47/06; B65D 47/08;
B65D 2543/00046; B65D 2543/00092;
B65D 25/32; B65D 43/0256; B65D
43/161; B65D 50/046

See application file for complete search history.

D719,731 S 12/2014 Burgess et al.
D738,623 S 9/2015 Wood
D765,406 S * 9/2016 Faibish D3/318
D791,478 S 7/2017 Jowett et al.
D800,494 S * 10/2017 Peng D7/391
D833,149 S * 11/2018 Sofy D3/323

(56)

References Cited

U.S. PATENT DOCUMENTS

D432,787 S 10/2000 Holahan
D580,170 S 11/2008 Klotzman et al.
D597,383 S 8/2009 Masterton et al.
D606,306 S 12/2009 Monte
D638,626 S * 5/2011 Vilkomirski D3/318
D648,535 S 11/2011 Reinhart et al.
D650,174 S 12/2011 Ahistrom
D657,143 S 4/2012 Jowett
D658,376 S 5/2012 Ahistrom

OTHER PUBLICATIONS

<https://www.walmart.com/ip/Sterilite-50-Gal-189-L-Stacker-Tote-Black/43393267>, Sterilite, 50 Gal./189 L Stacker Tote, Dec. 8, 2017, 11 pgs.
[https://www.homedepot.com/p/HDX-27-Gal-Storage-Tote-in-Black-5-Pack-HDX27GON . . .](https://www.homedepot.com/p/HDX-27-Gal-Storage-Tote-in-Black-5-Pack-HDX27GON...), HDX 27 Gal. Storage Tote in Black (5-Pack), Dec. 8, 2017, 3 pgs.
[https://www.target.com/p/sterilite-174-108-qt-industrial-utility-storage-tote-black-with-red . . .](https://www.target.com/p/sterilite-174-108-qt-industrial-utility-storage-tote-black-with-red...), Sterilite 108 Qt Industrial Utility Storage Tote—Black with Red Latch, Dec. 8, 2017, 4 pgs.

* cited by examiner

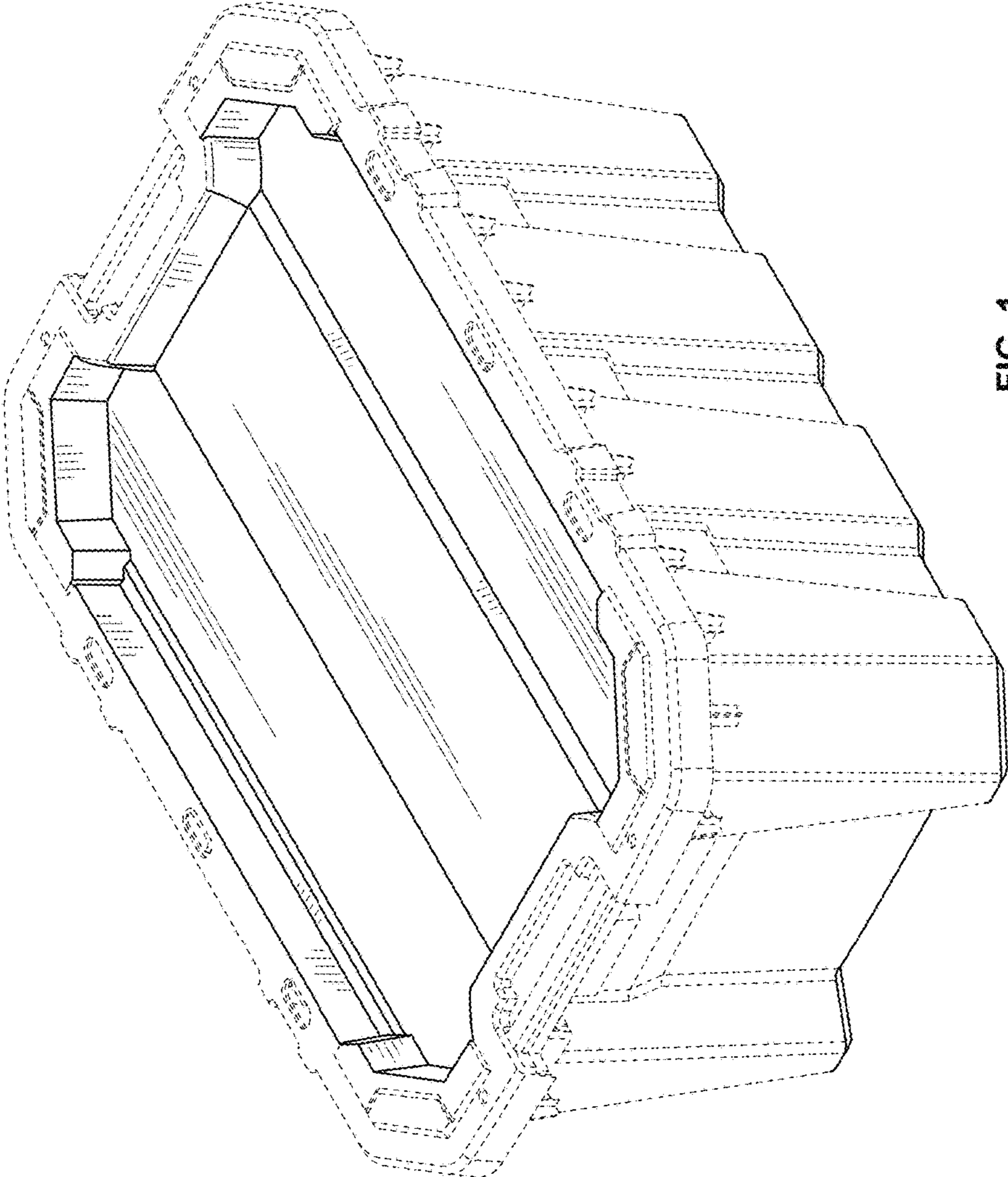


FIG. 1

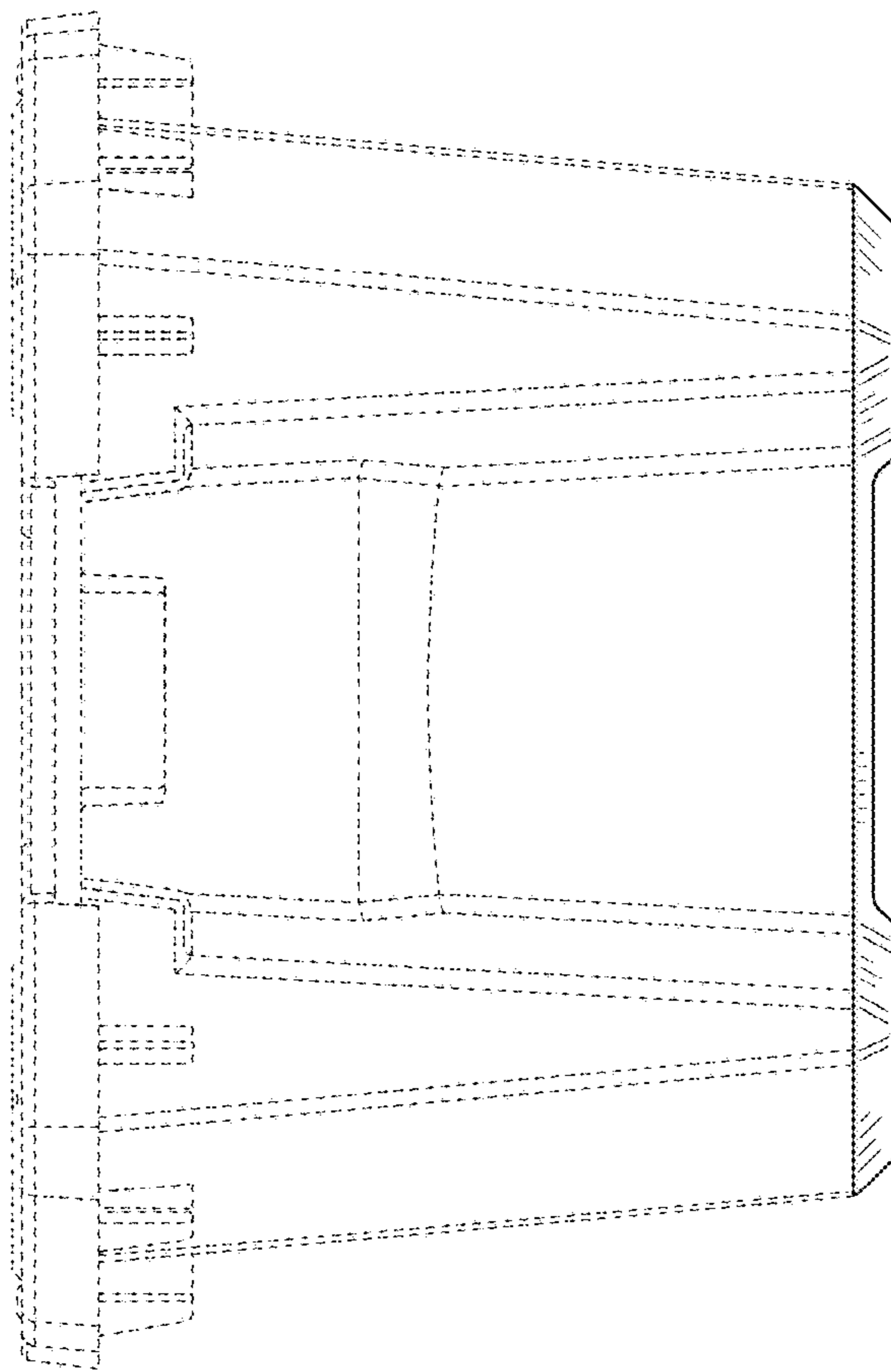


FIG. 2

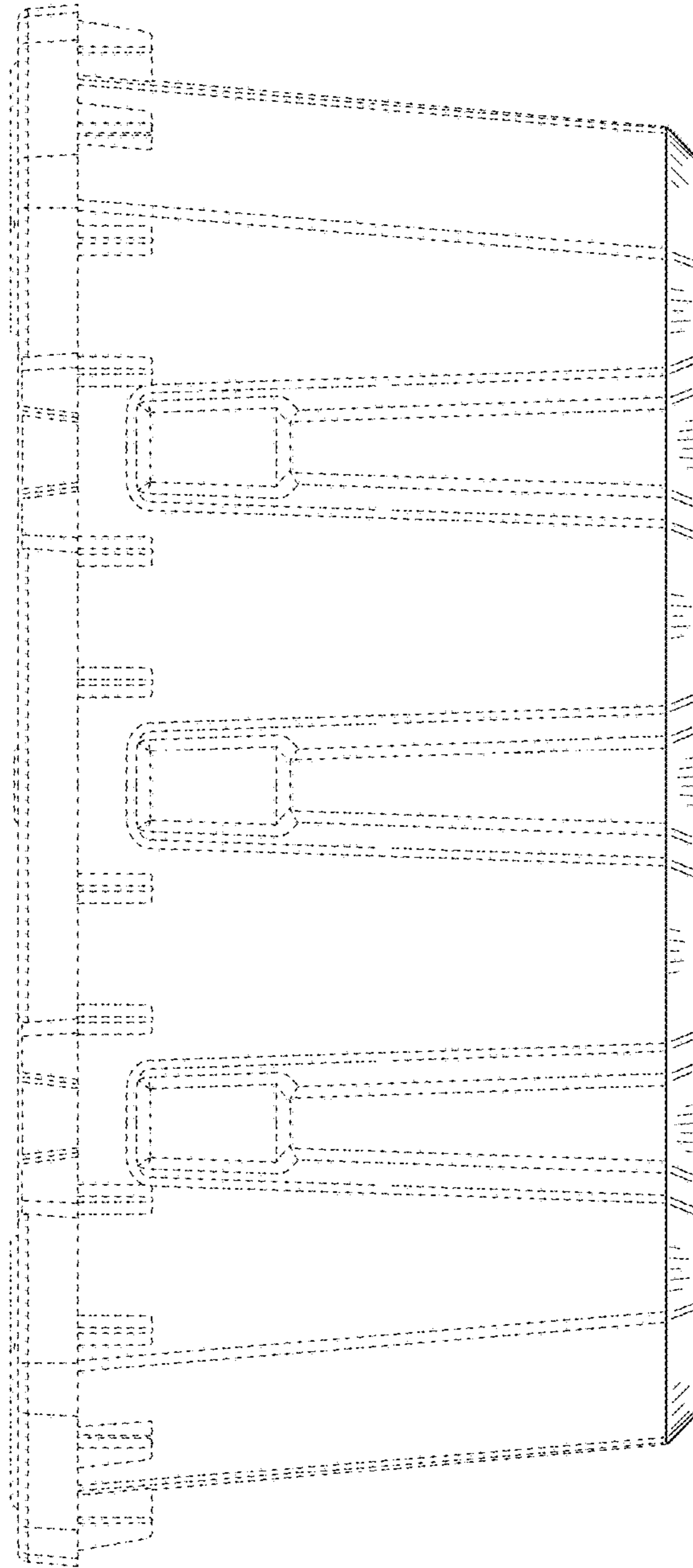


FIG. 3

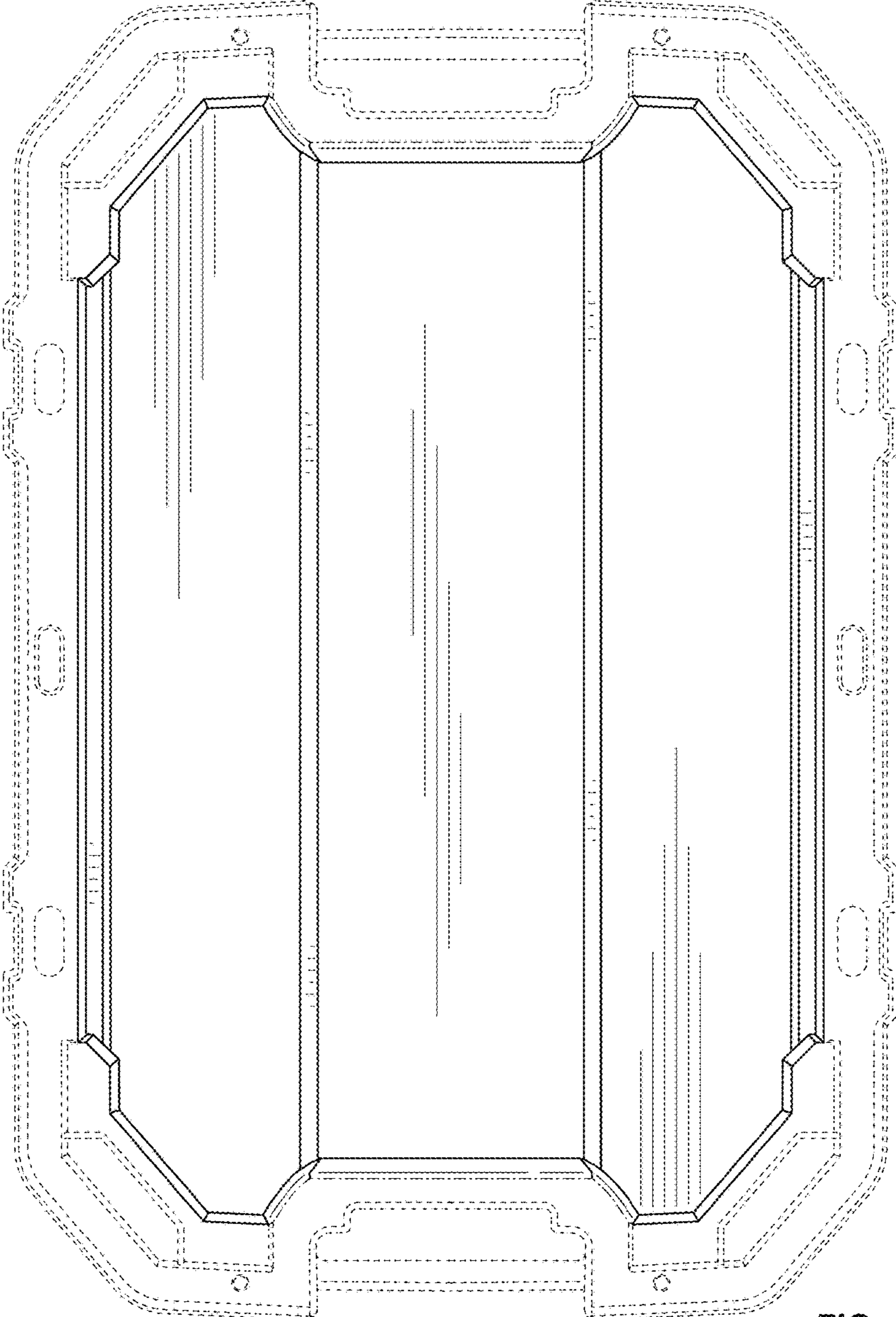


FIG. 4

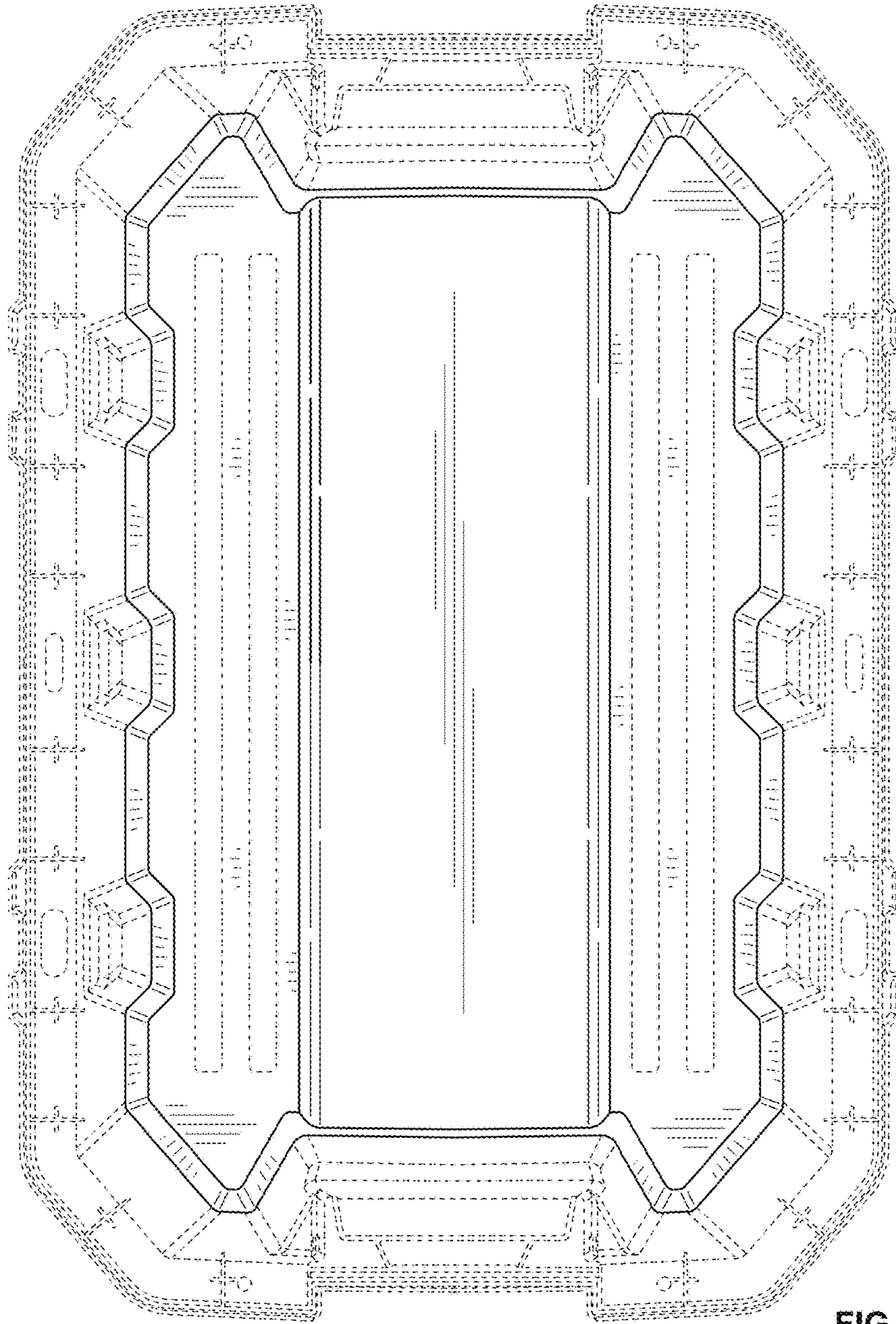


FIG. 5

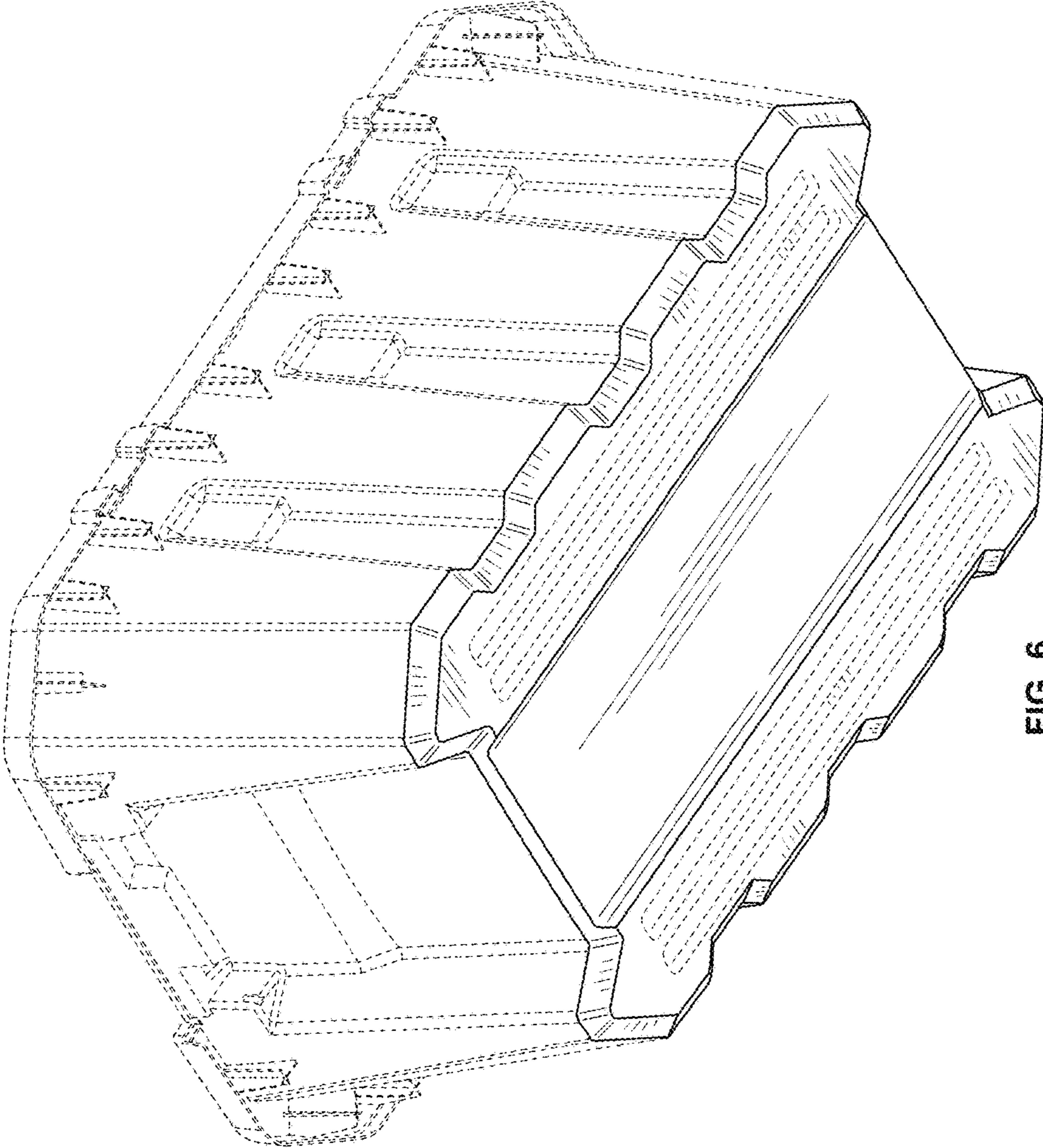


FIG. 6

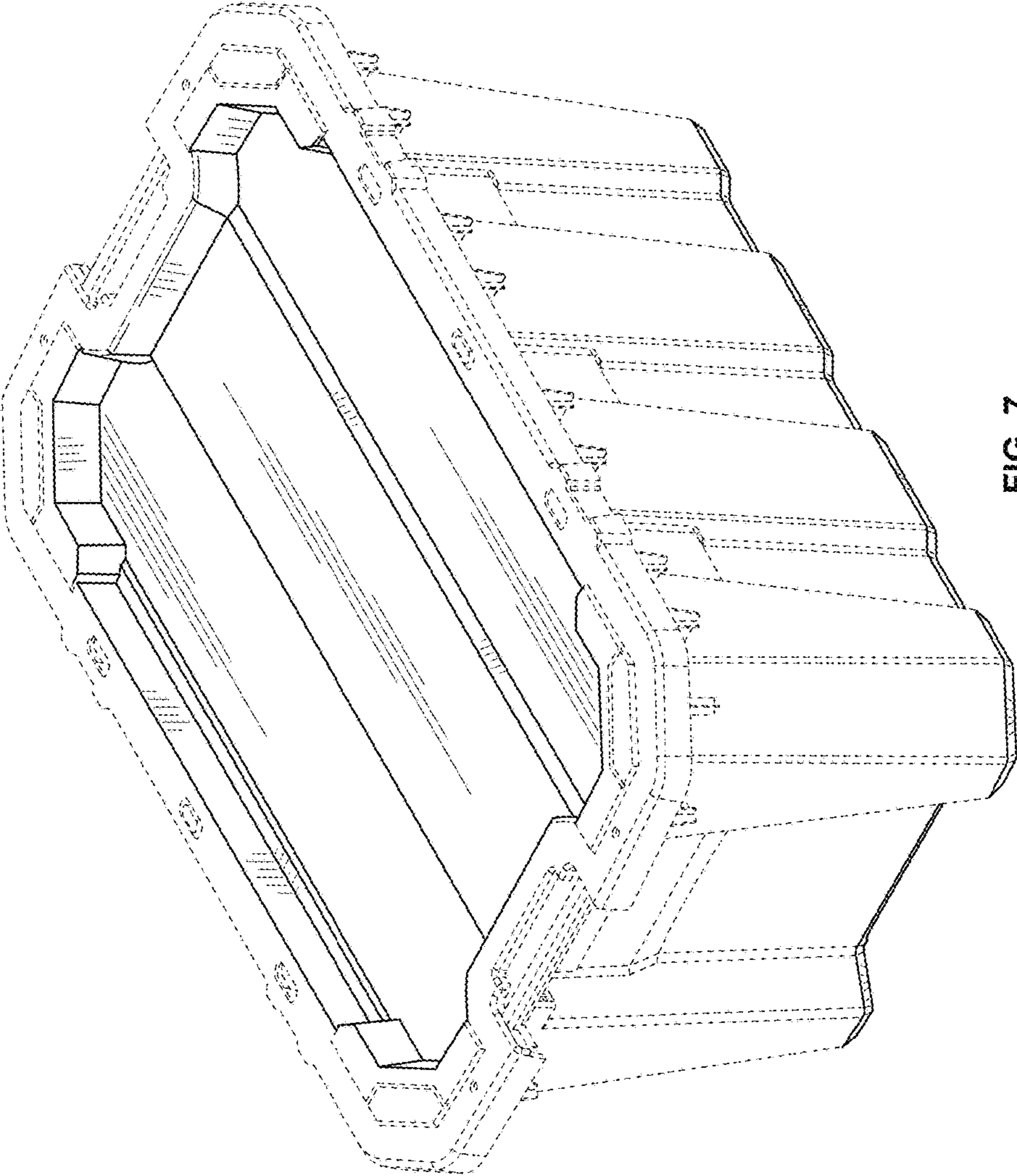


FIG. 7

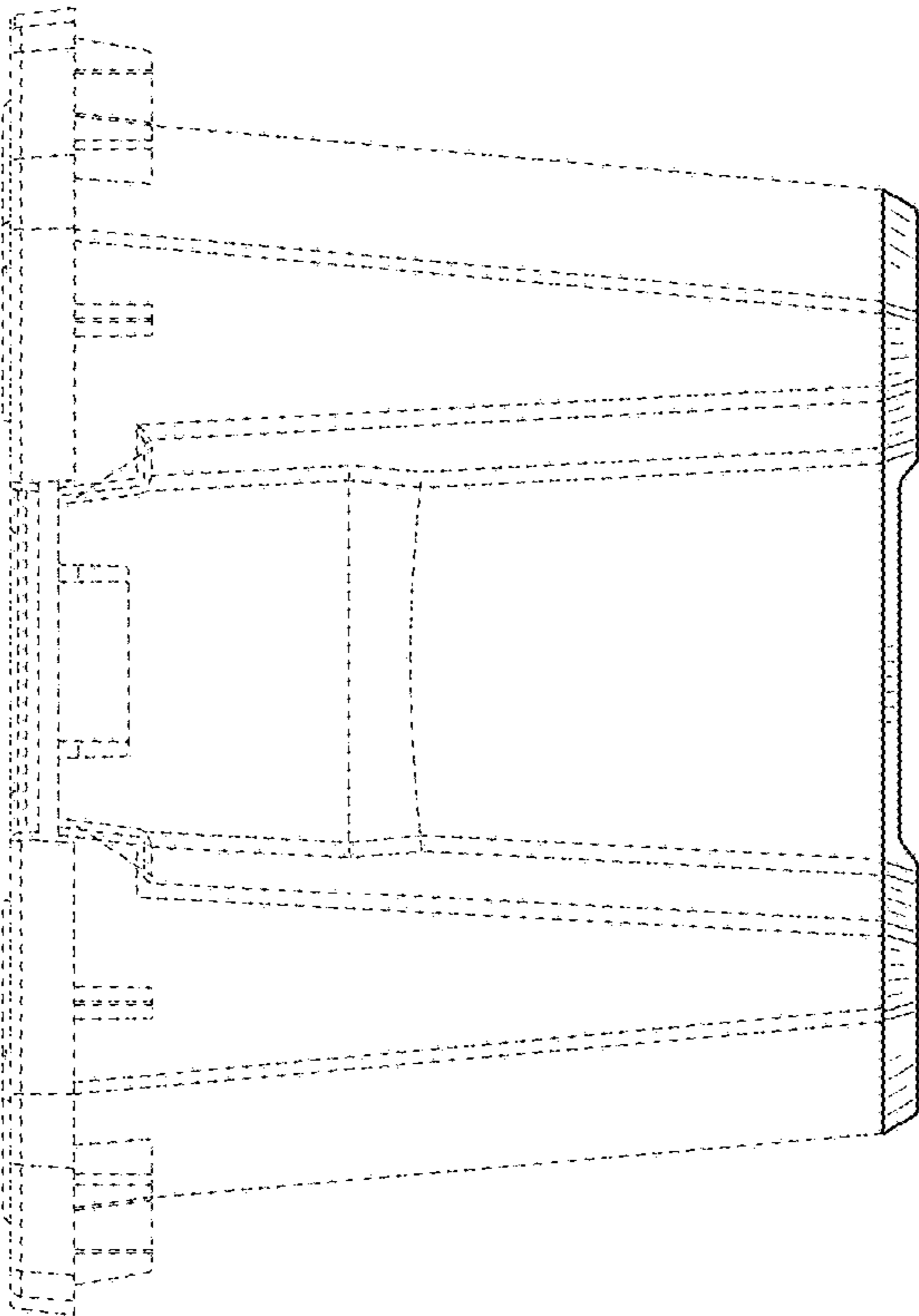


FIG. 8

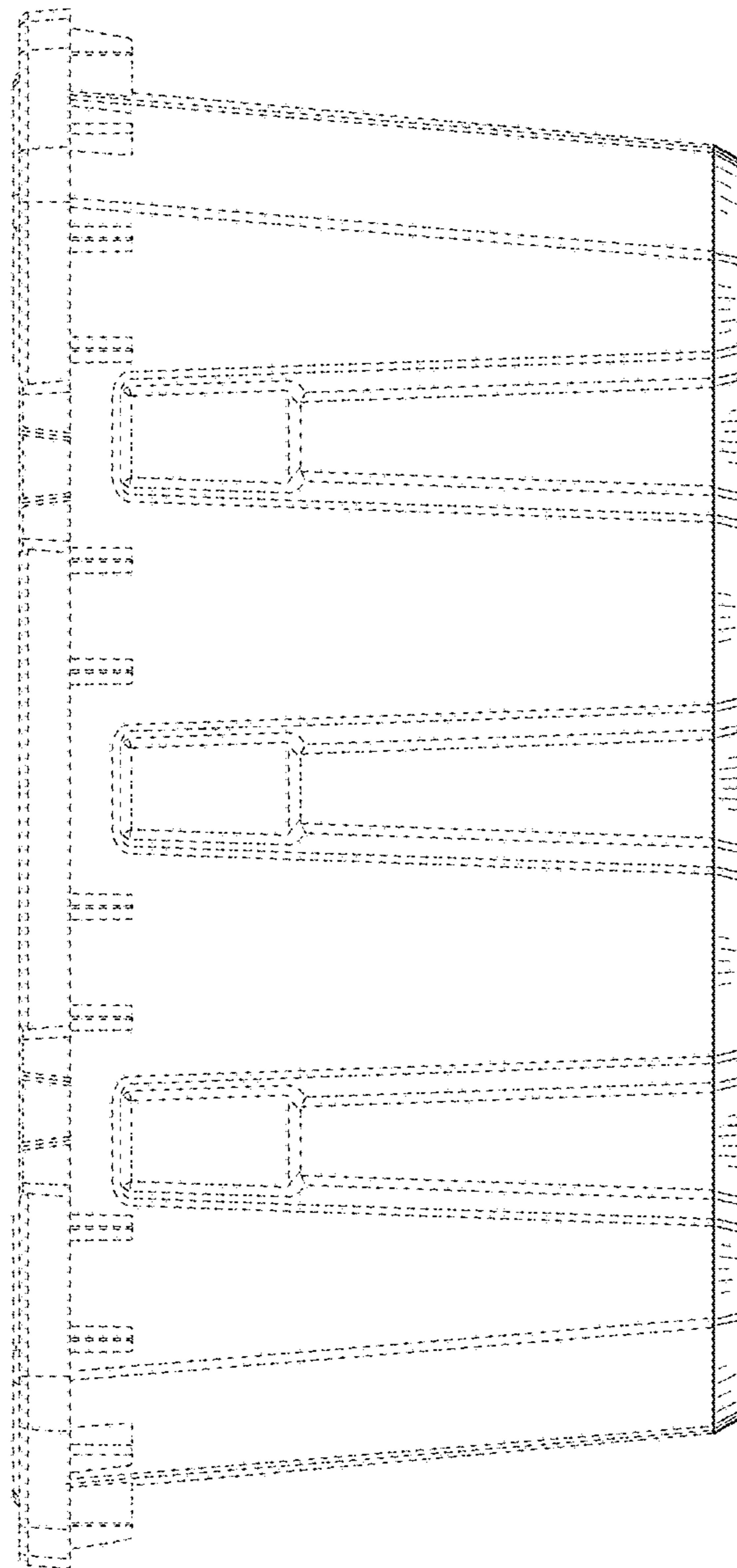


FIG. 9

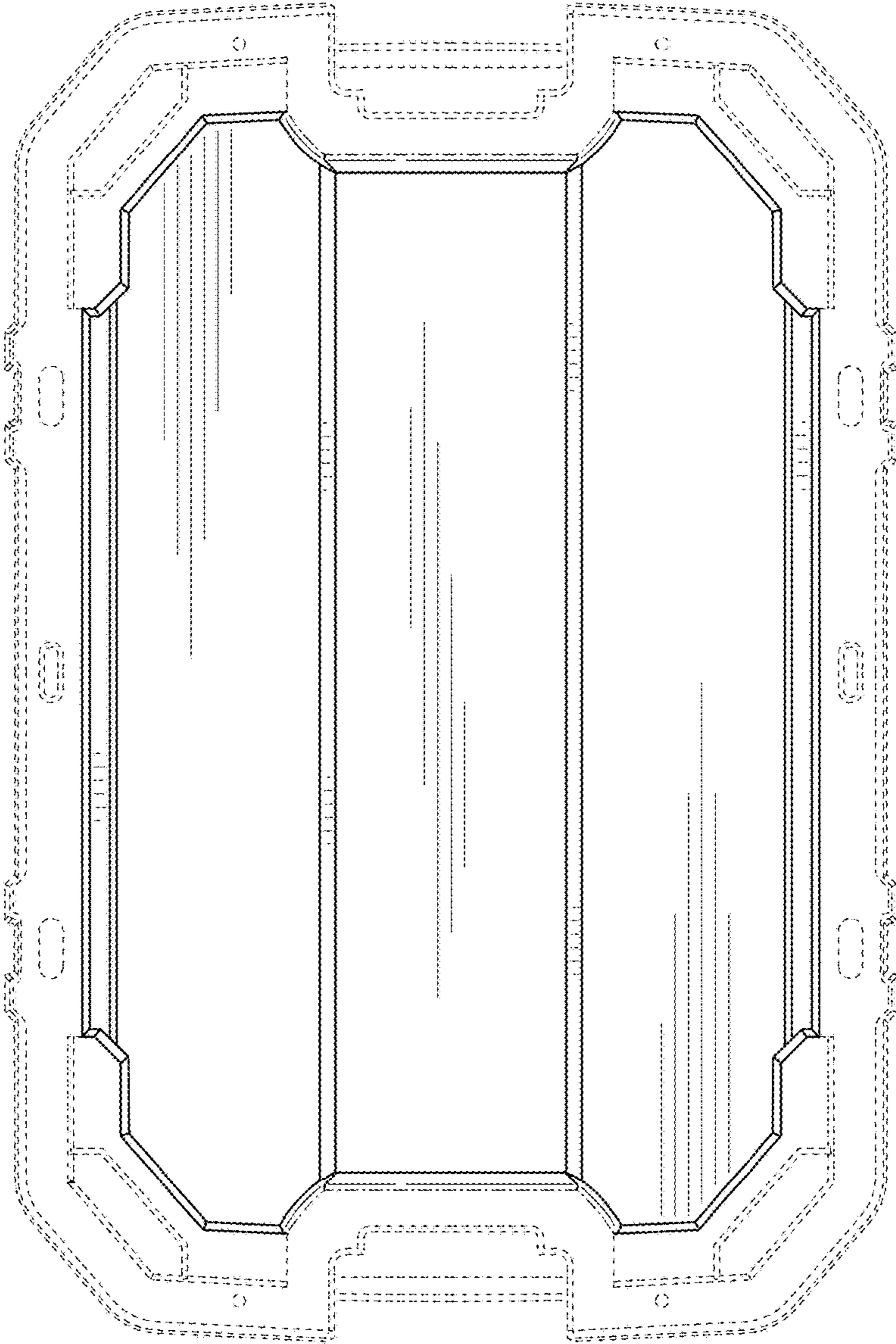


FIG. 10

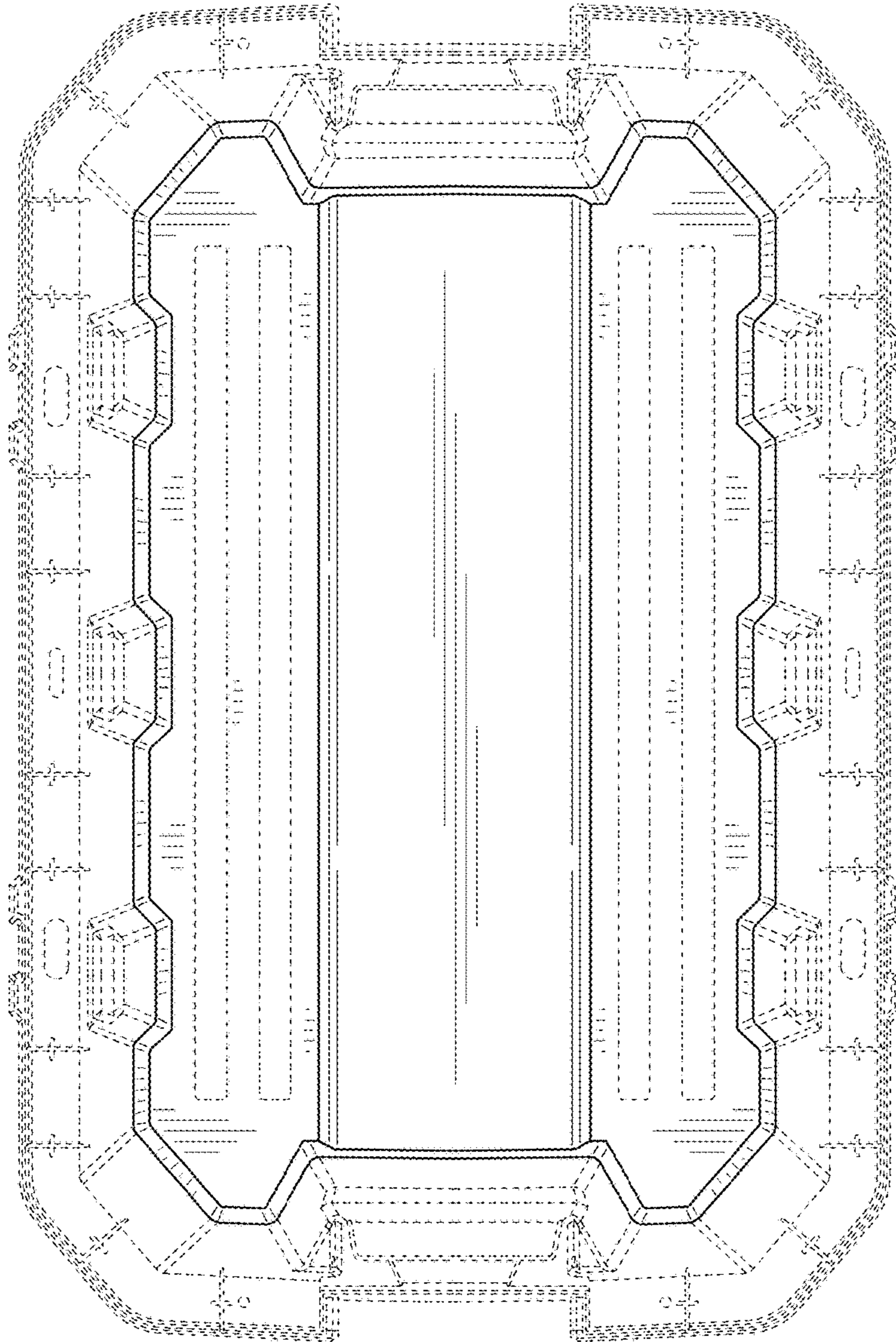


FIG. 11

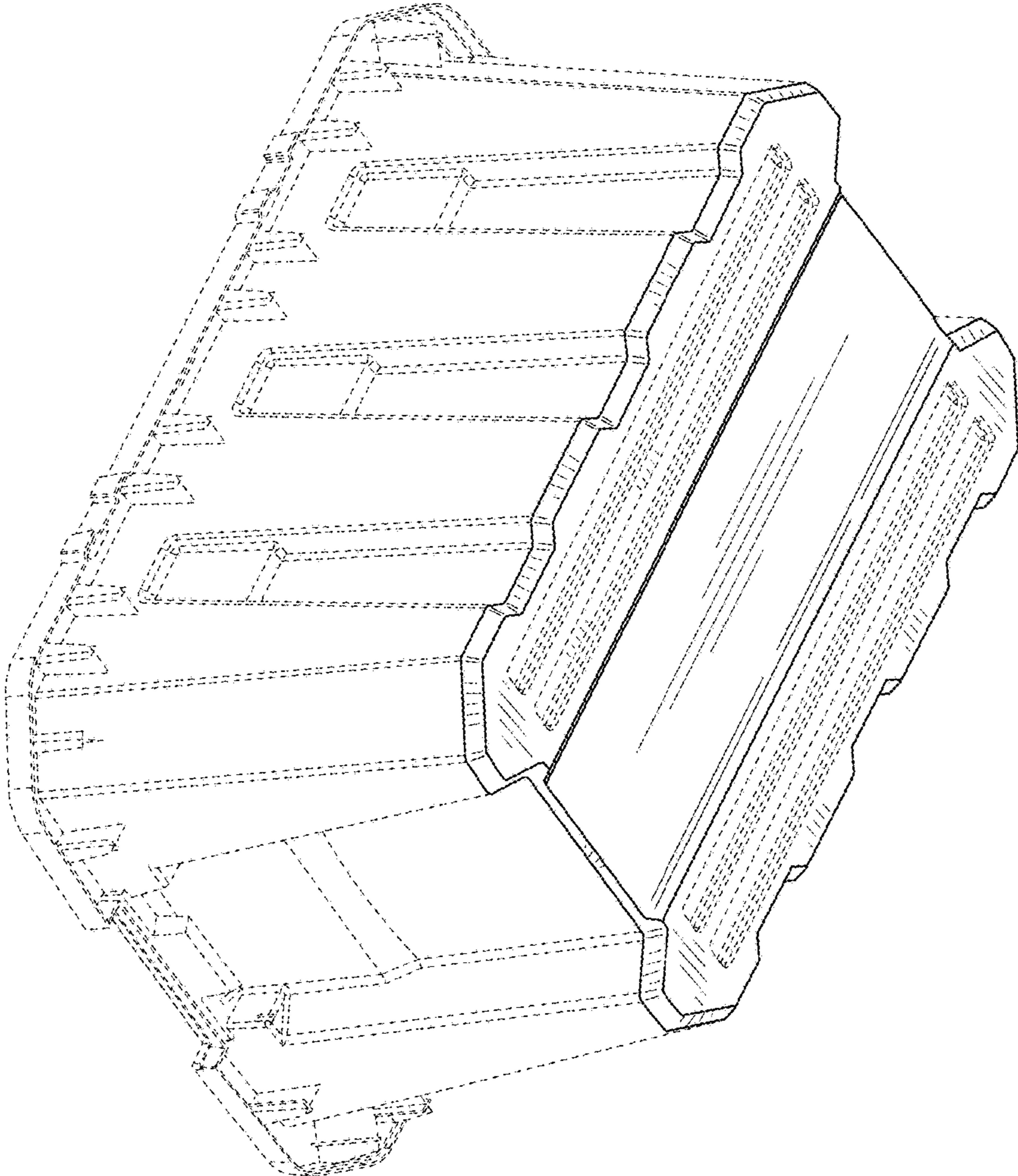


FIG. 12

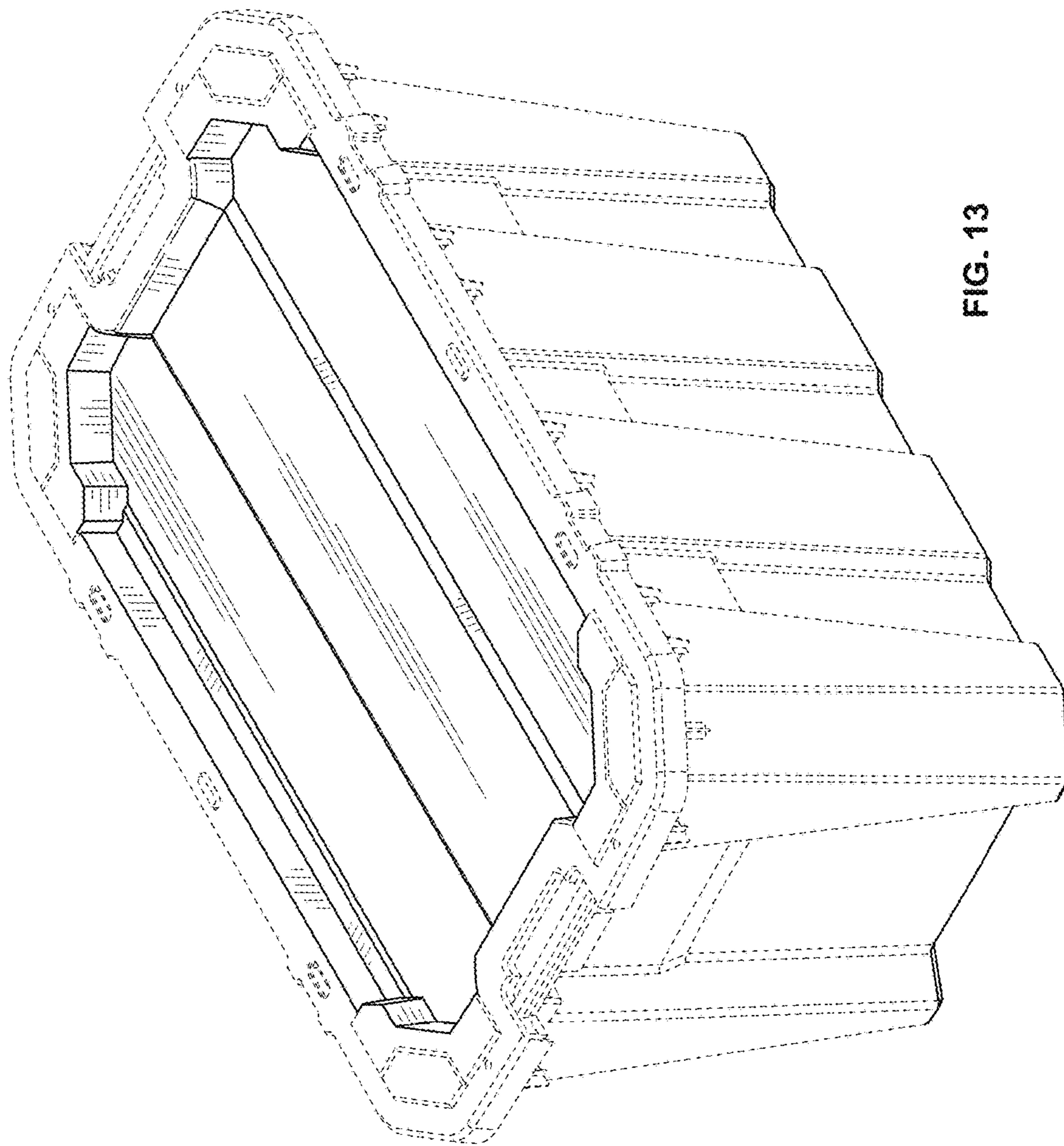


FIG. 13

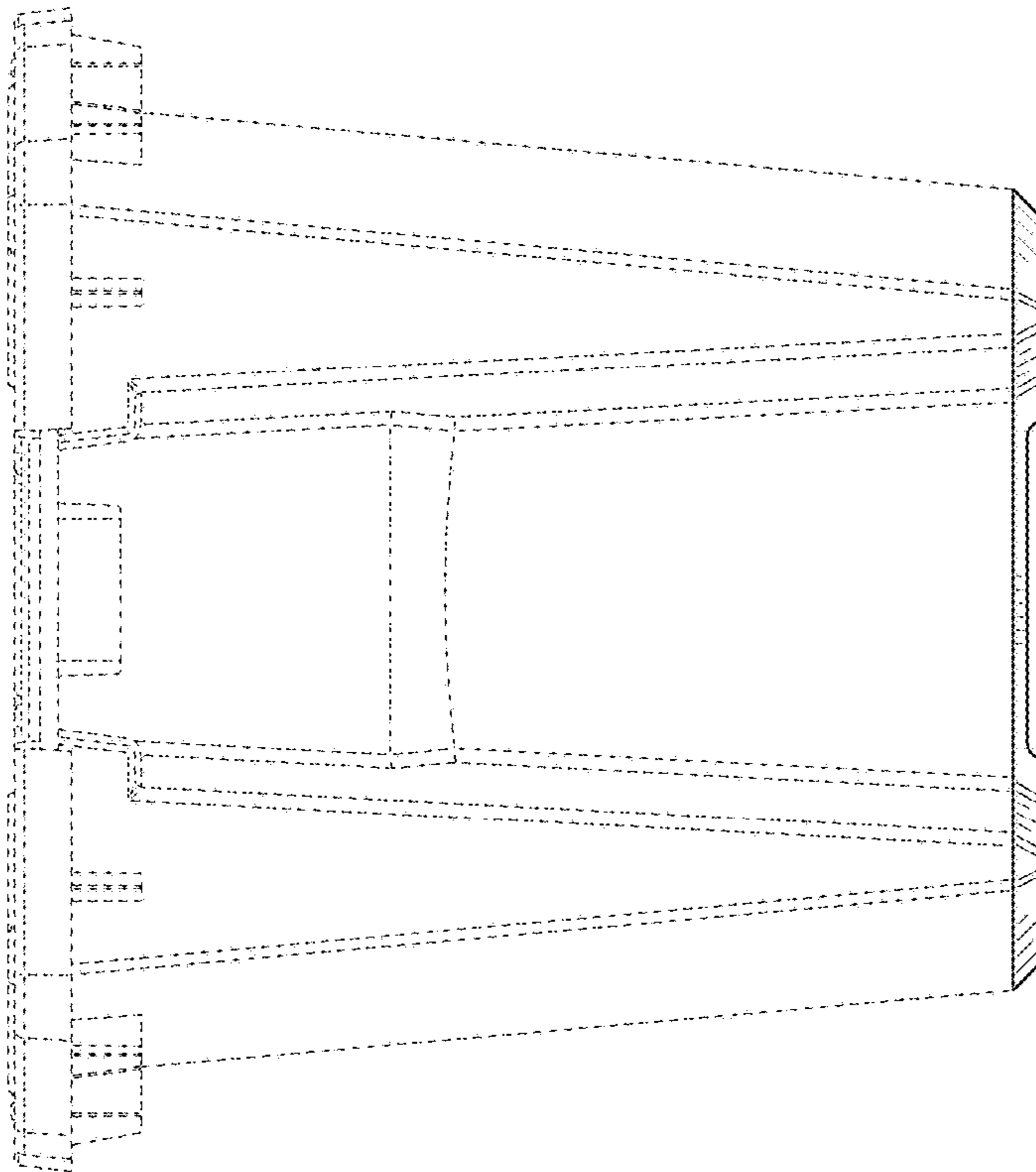


FIG. 14

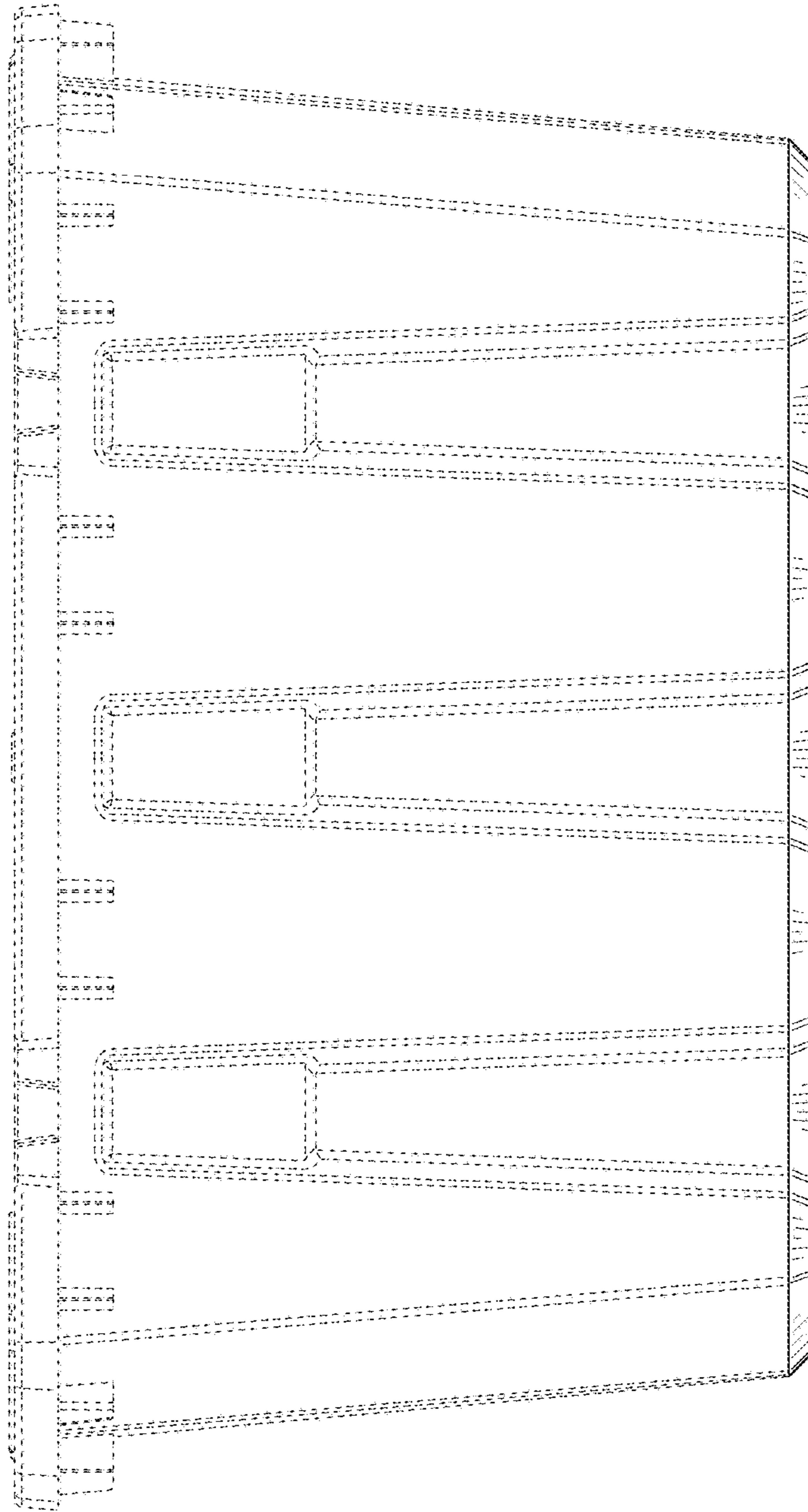


FIG. 15

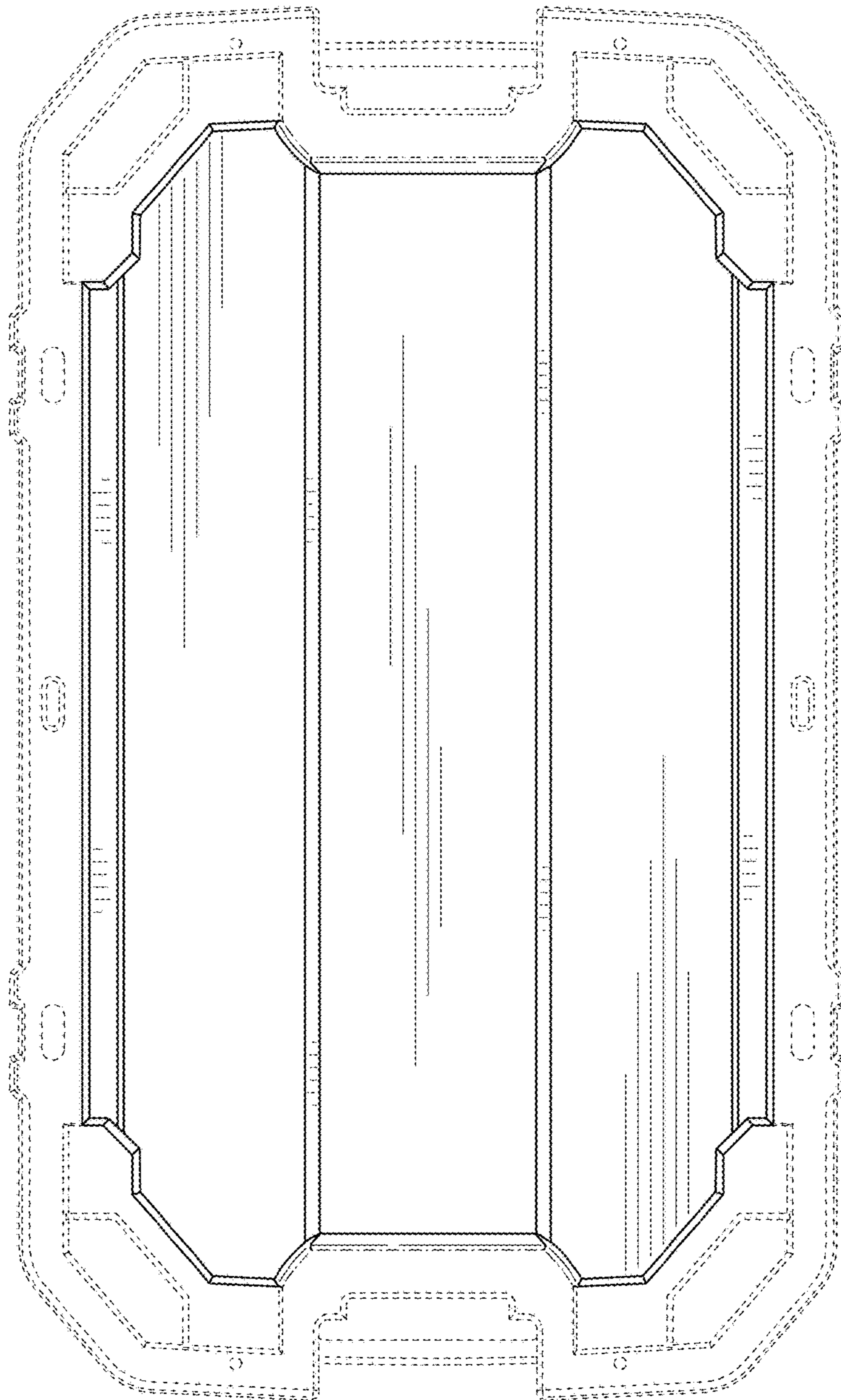


FIG. 16

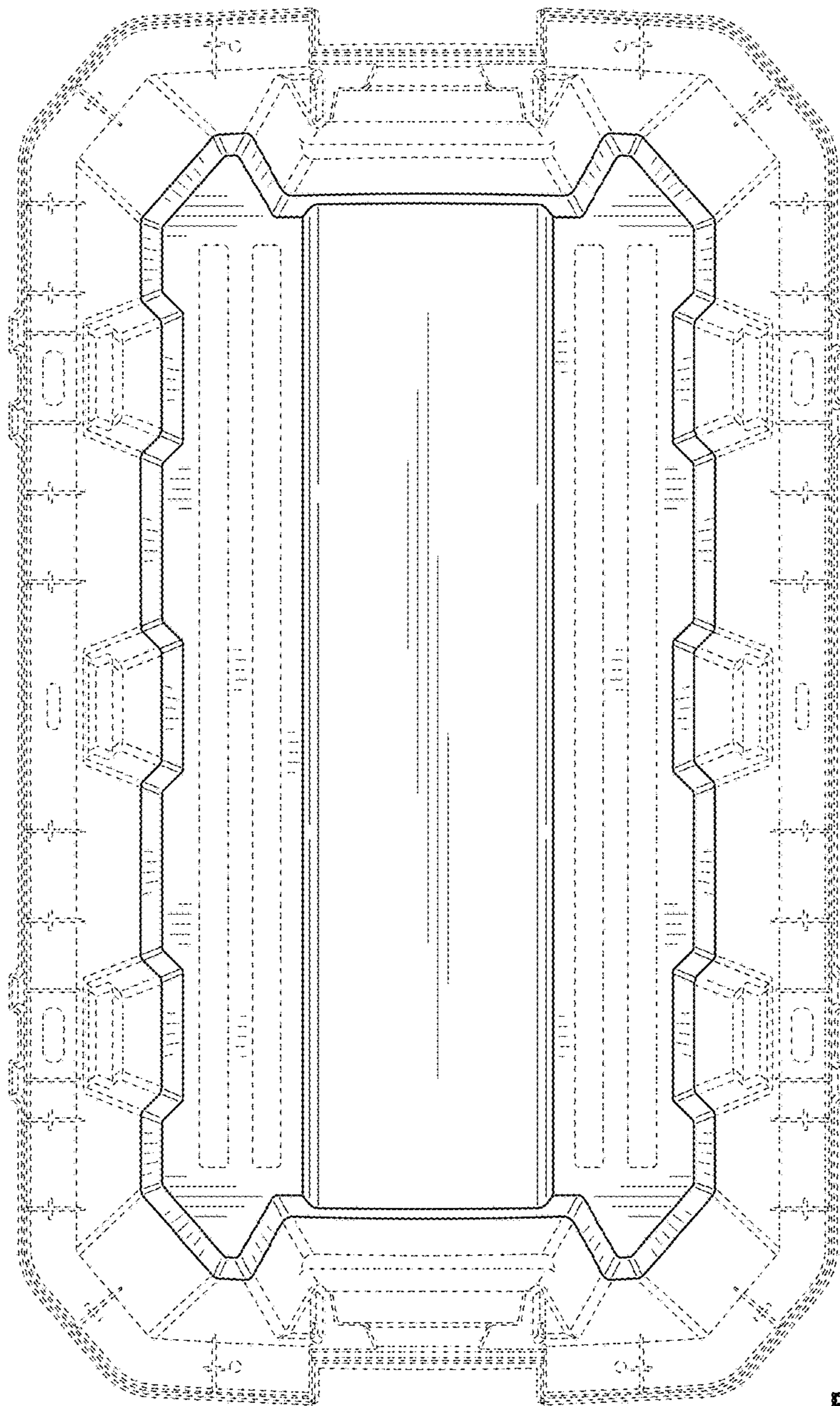


FIG. 17

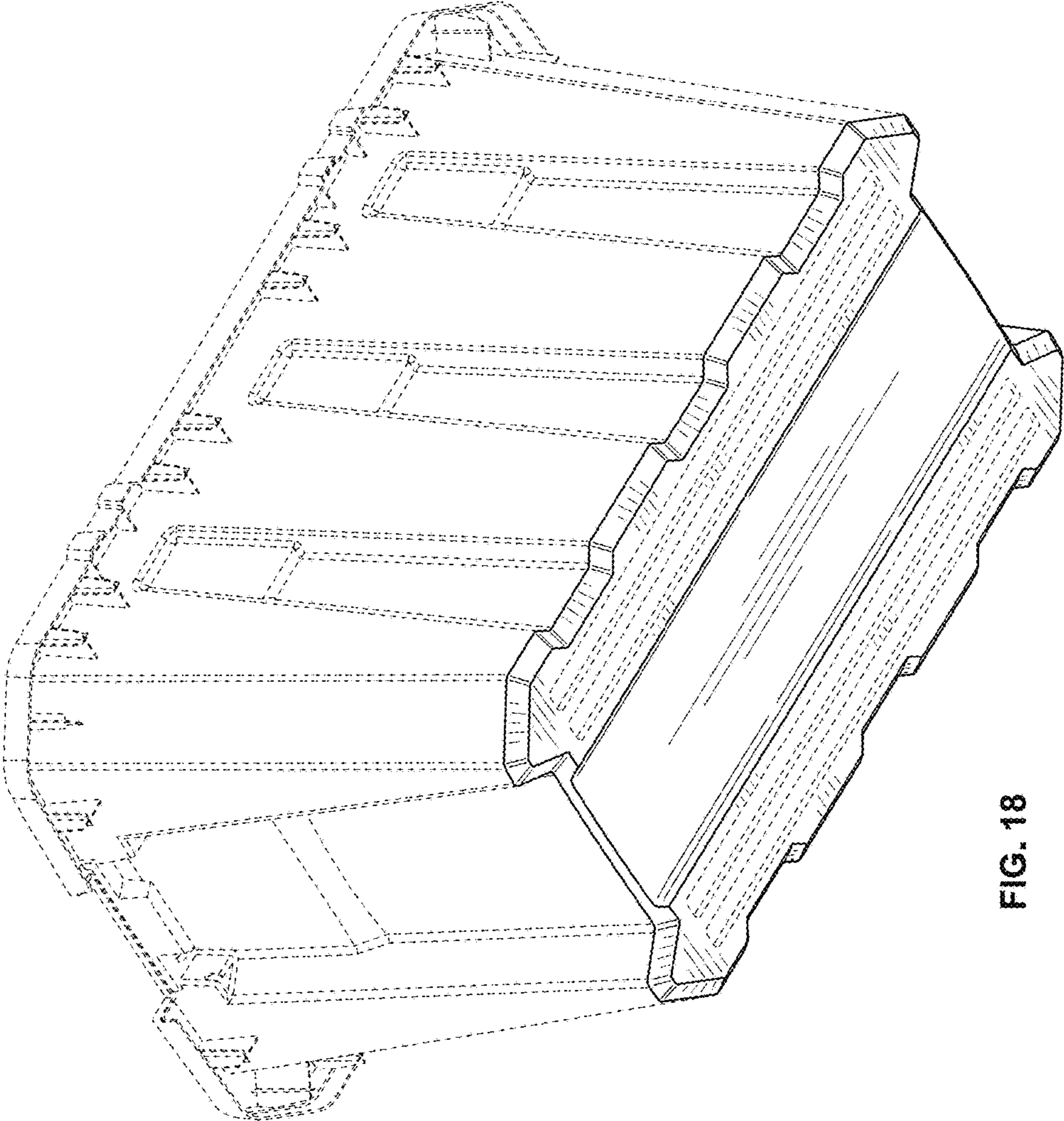


FIG. 18

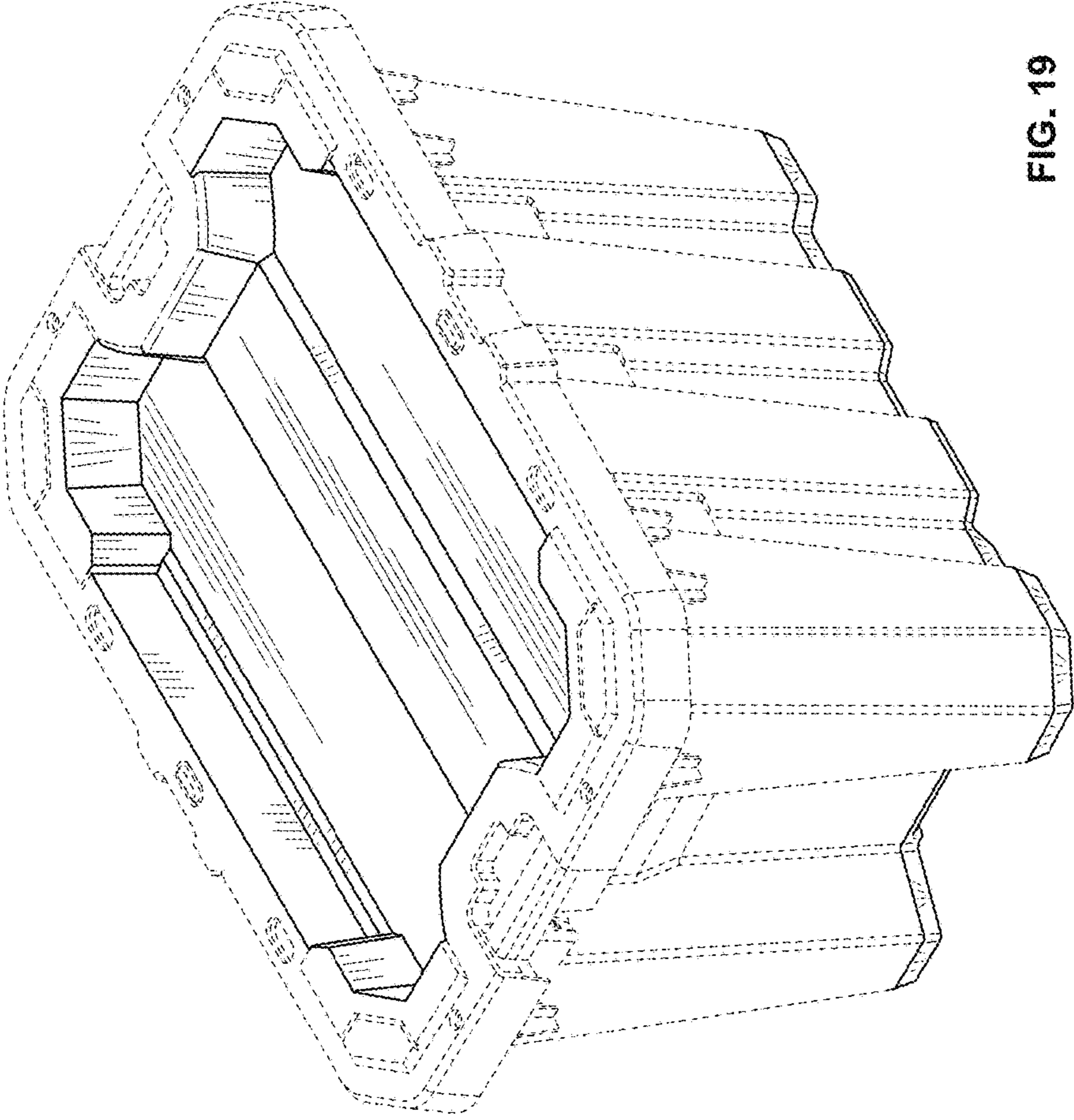


FIG. 19

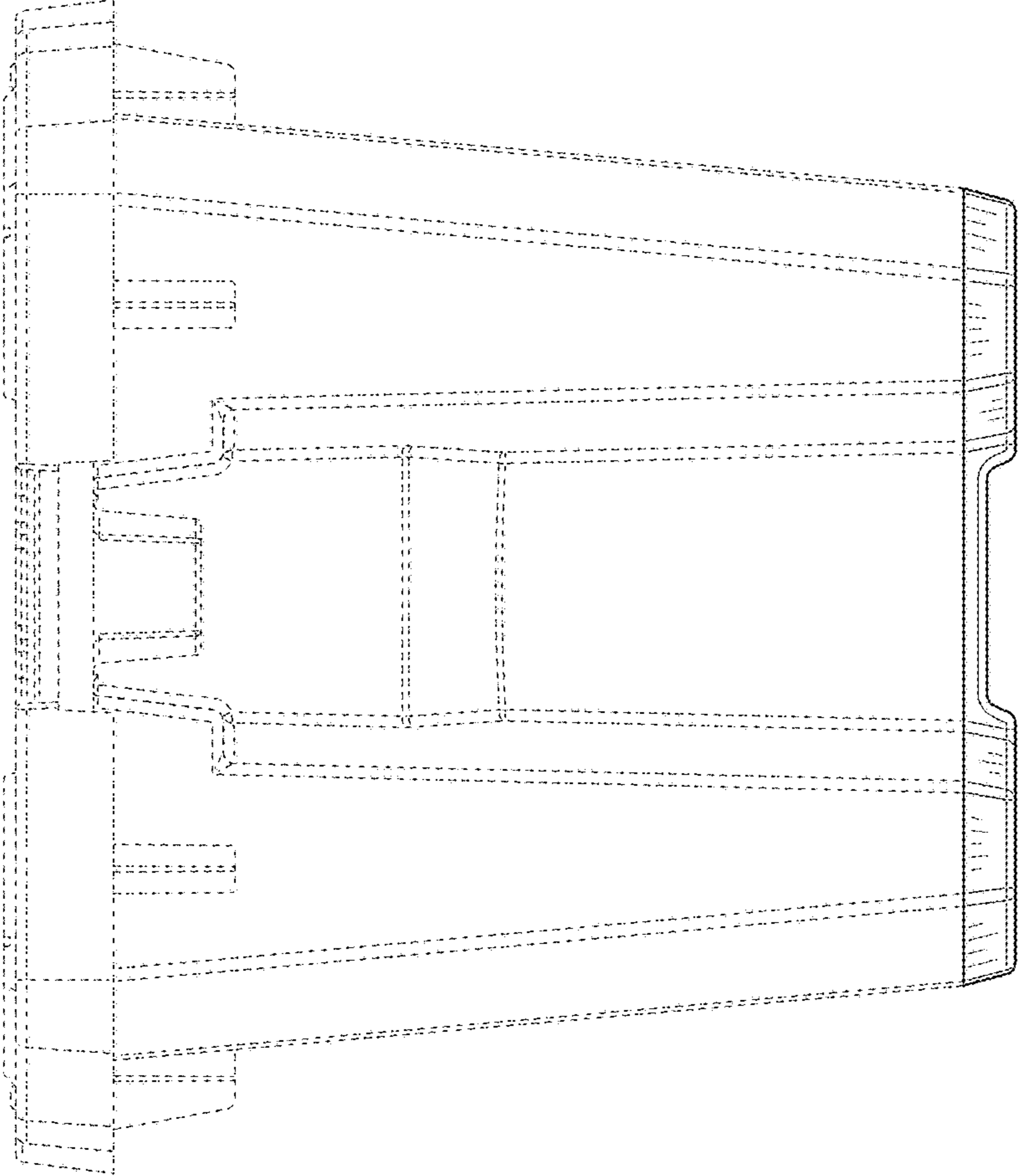


FIG. 20

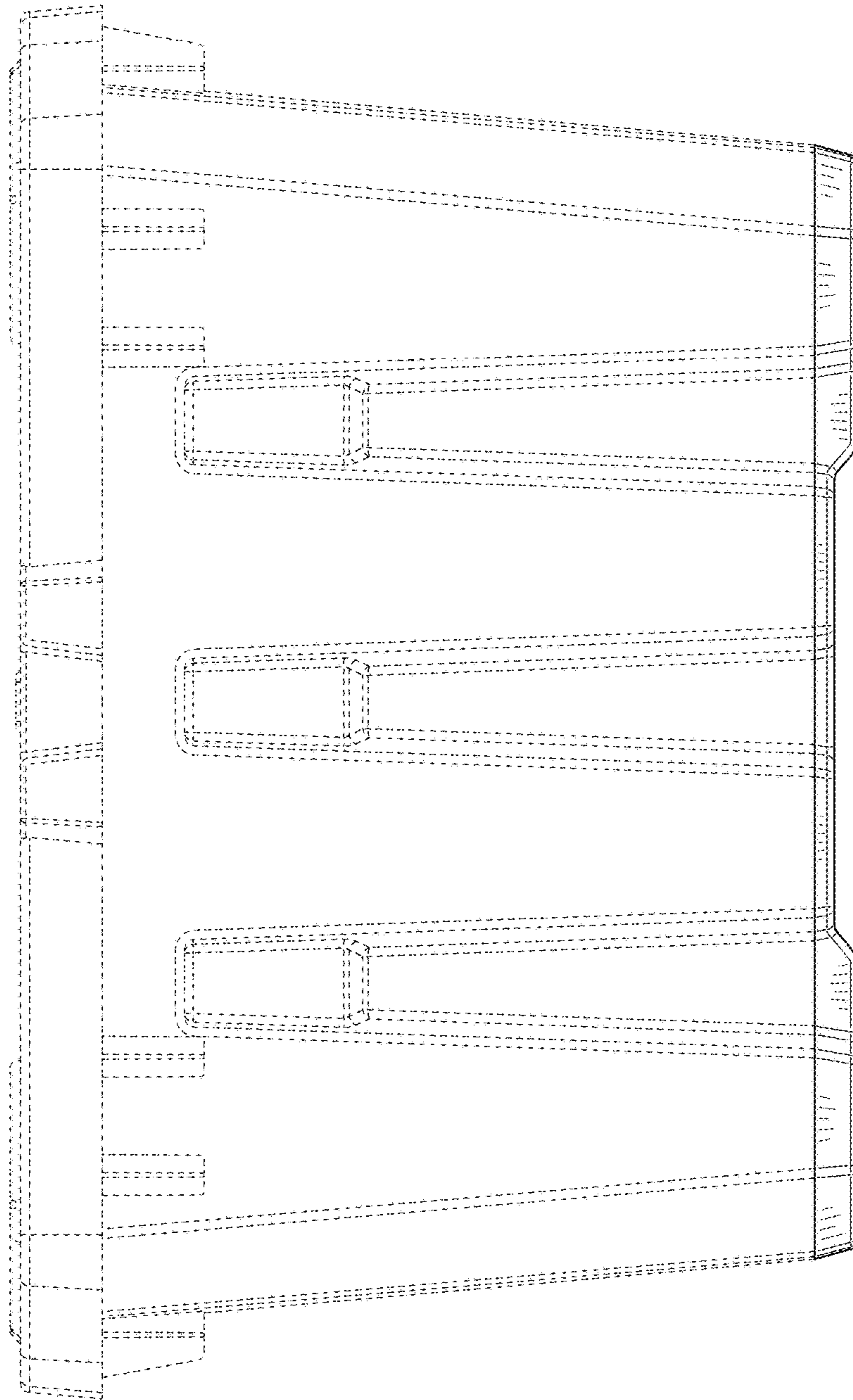


FIG. 21

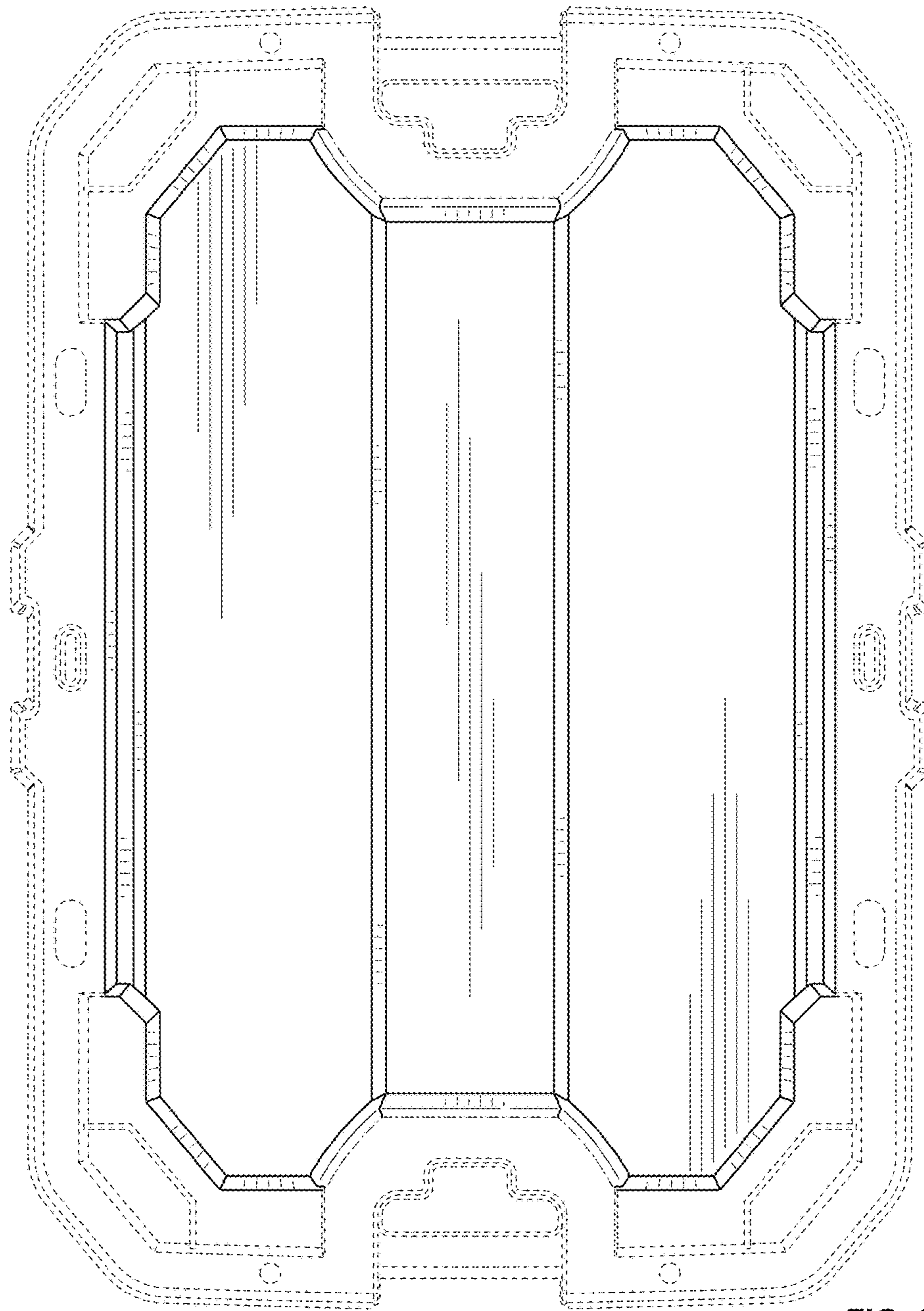


FIG. 22

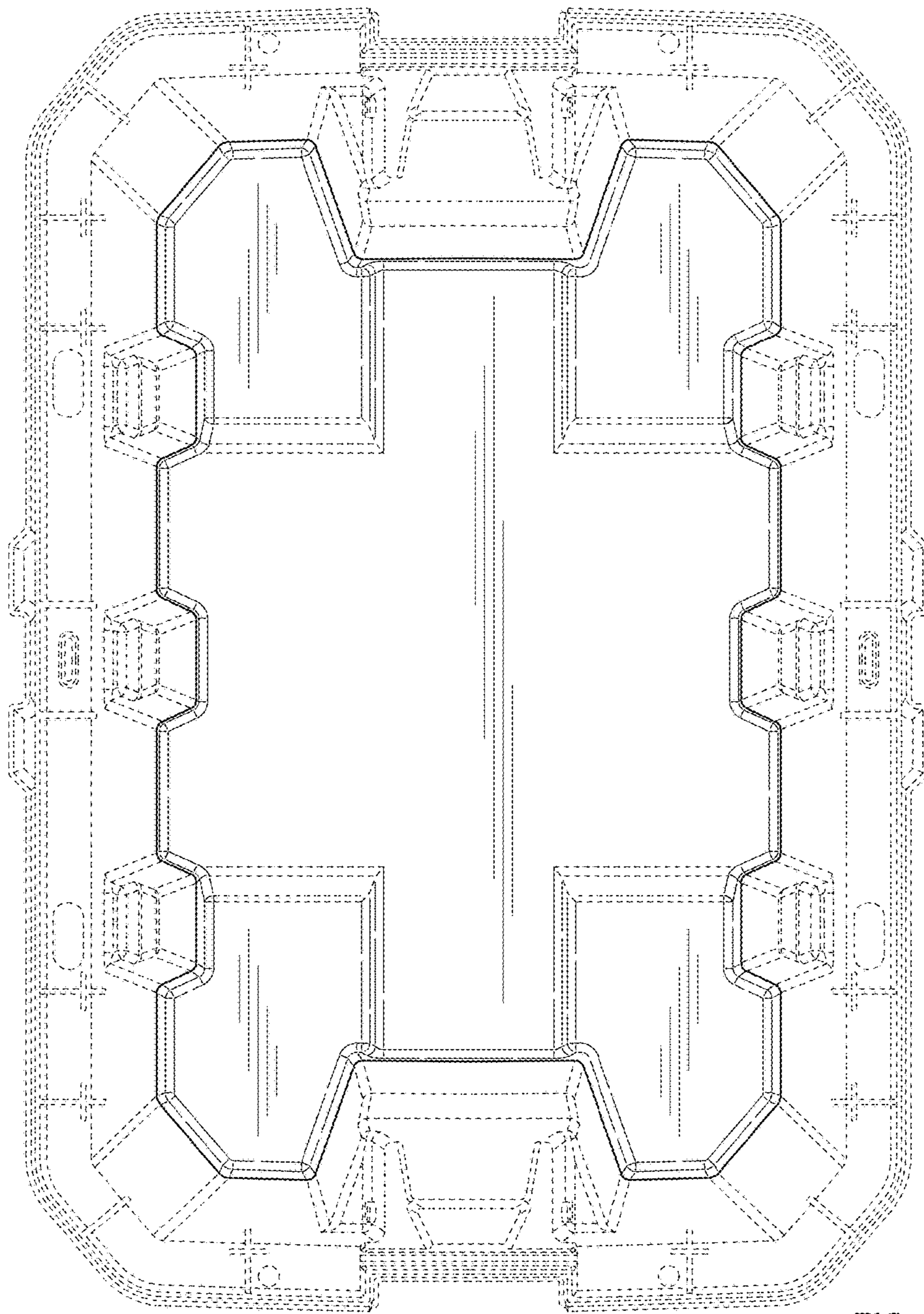


FIG. 23

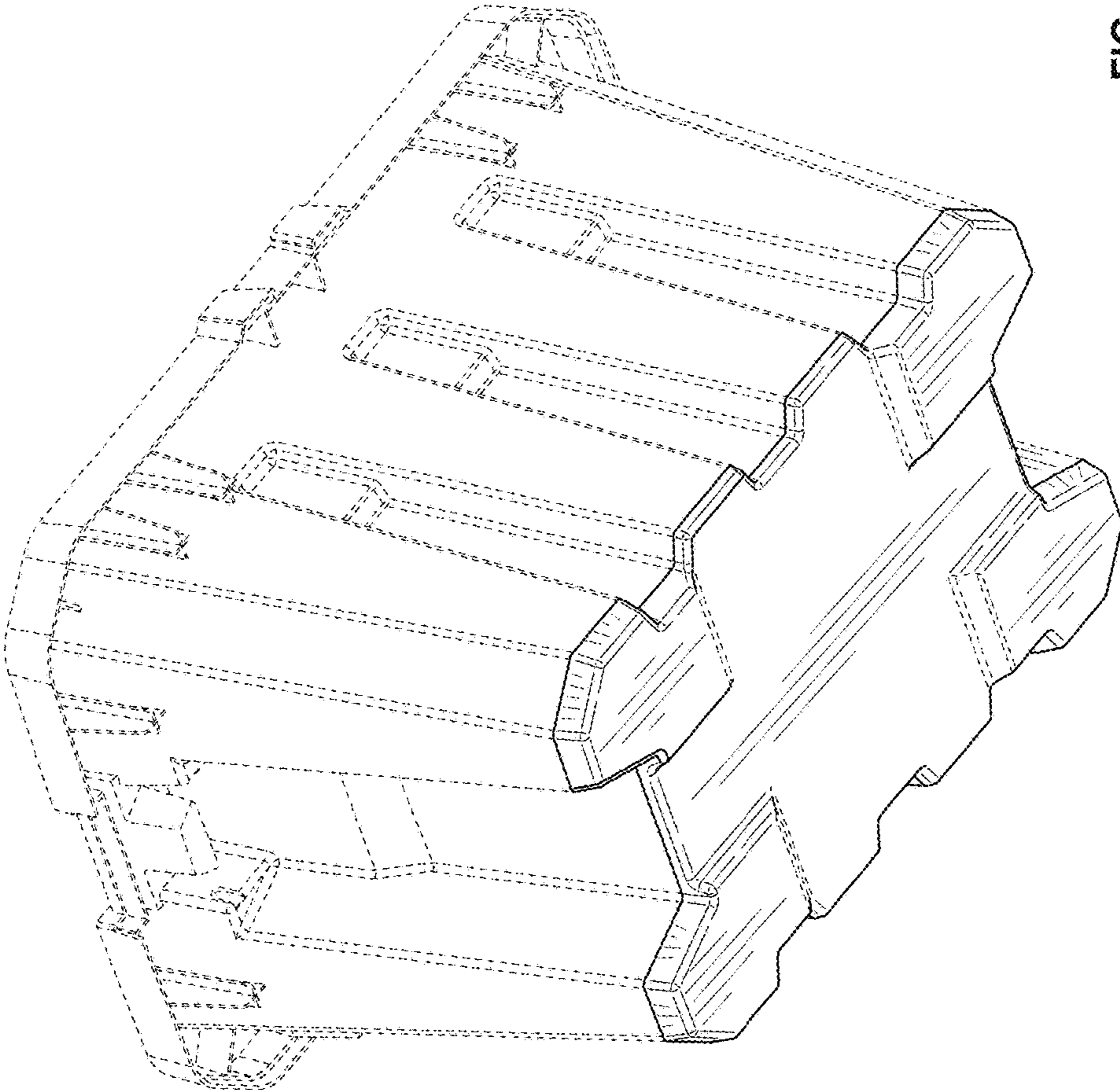


FIG. 24