



US00D855323S

(12) **United States Design Patent**  
**Kennelly**

(10) **Patent No.:** **US D855,323 S**

(45) **Date of Patent:** **\*\* Aug. 6, 2019**

(54) **STORAGE POUCH**

(71) Applicant: **Bo Kennelly**, Corona, CA (US)

(72) Inventor: **Bo Kennelly**, Corona, CA (US)

(\*\*) Term: **15 Years**

(21) Appl. No.: **29/571,100**

(22) Filed: **Jul. 14, 2016**

(51) **LOC (12) Cl.** ..... **03-01**

(52) **U.S. Cl.**

USPC ..... **D3/299; D3/303**

(58) **Field of Classification Search**

USPC ..... D3/205, 273, 274, 275, 276, 281, 284,  
D3/292, 294-297, 299, 302, 905, 901,  
D3/903, 303

CPC ..... A45C 5/04; A45C 11/00; A45C 11/16  
See application file for complete search history.

D522,750 S \* 6/2006 Girod ..... A45C 1/04  
D3/303  
D651,800 S \* 1/2012 Scott ..... A45C 11/16  
D3/303  
D692,237 S \* 10/2013 Chang ..... A45C 1/04  
D3/303  
D718,531 S \* 12/2014 Hitzler ..... D3/299  
D727,028 S \* 4/2015 Feng ..... D3/218  
D753,398 S \* 4/2016 Arami ..... D3/299  
D795,581 S \* 8/2017 Cruz ..... D3/303  
D804,178 S \* 12/2017 Groning ..... D3/299  
D805,300 S \* 12/2017 Sichi ..... D3/299  
D808,166 S \* 1/2018 Thompson ..... D3/299

\* cited by examiner

*Primary Examiner* — Holly E Thurman

(74) *Attorney, Agent, or Firm* — Global Intellectual  
Property Agency, LLC; Daniel Boudwin

(57) **CLAIM**

The ornamental design for a storage pouch, as shown and described.

(56) **References Cited**

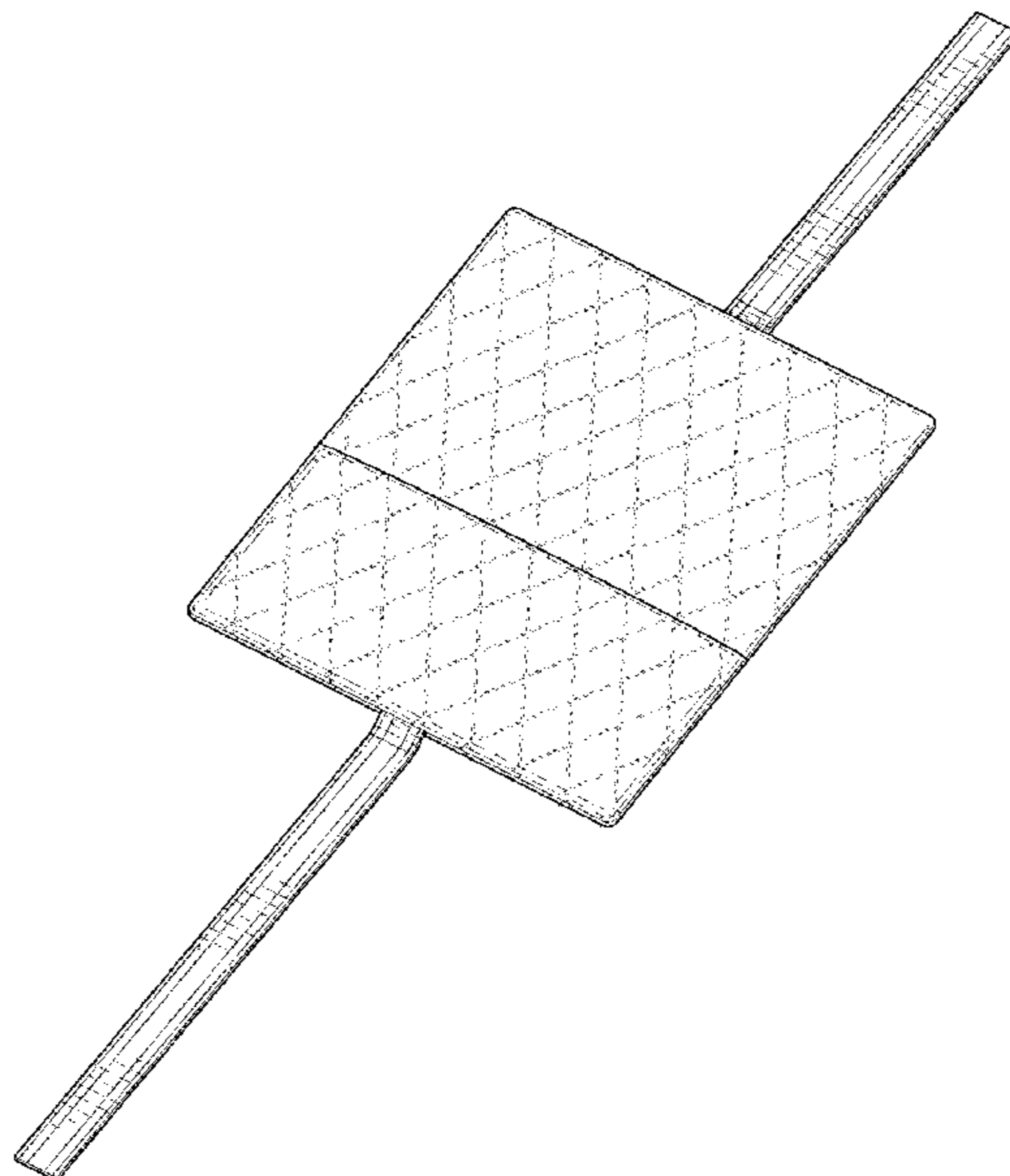
U.S. PATENT DOCUMENTS

2,441,338	A	5/1948	Stanley	
2,442,091	A	5/1948	Mann et al.	
3,964,529	A	6/1976	Brod	
4,332,338	A *	6/1982	Christiansen	A45C 1/04 150/143
4,648,860	A	3/1987	Cassey	
4,720,012	A *	1/1988	Dufour	A45C 11/16 150/113
4,905,881	A *	3/1990	Graber	A45C 1/04 150/131
6,880,221	B2	4/2005	Sprenger	

**DESCRIPTION**

FIG. 1 shows a perspective view of the storage pouch.  
FIG. 2 shows a top plan view thereof.  
FIG. 3 shows a bottom plan view thereof.  
FIG. 4 shows a left side view thereof.  
FIG. 5 shows a right elevation view thereof.  
FIG. 6 shows a front view thereof; and,  
FIG. 7 shows a rear view thereof.  
The broken lines depict portions of the storage pouch that form no part of the claimed design.

**1 Claim, 4 Drawing Sheets**



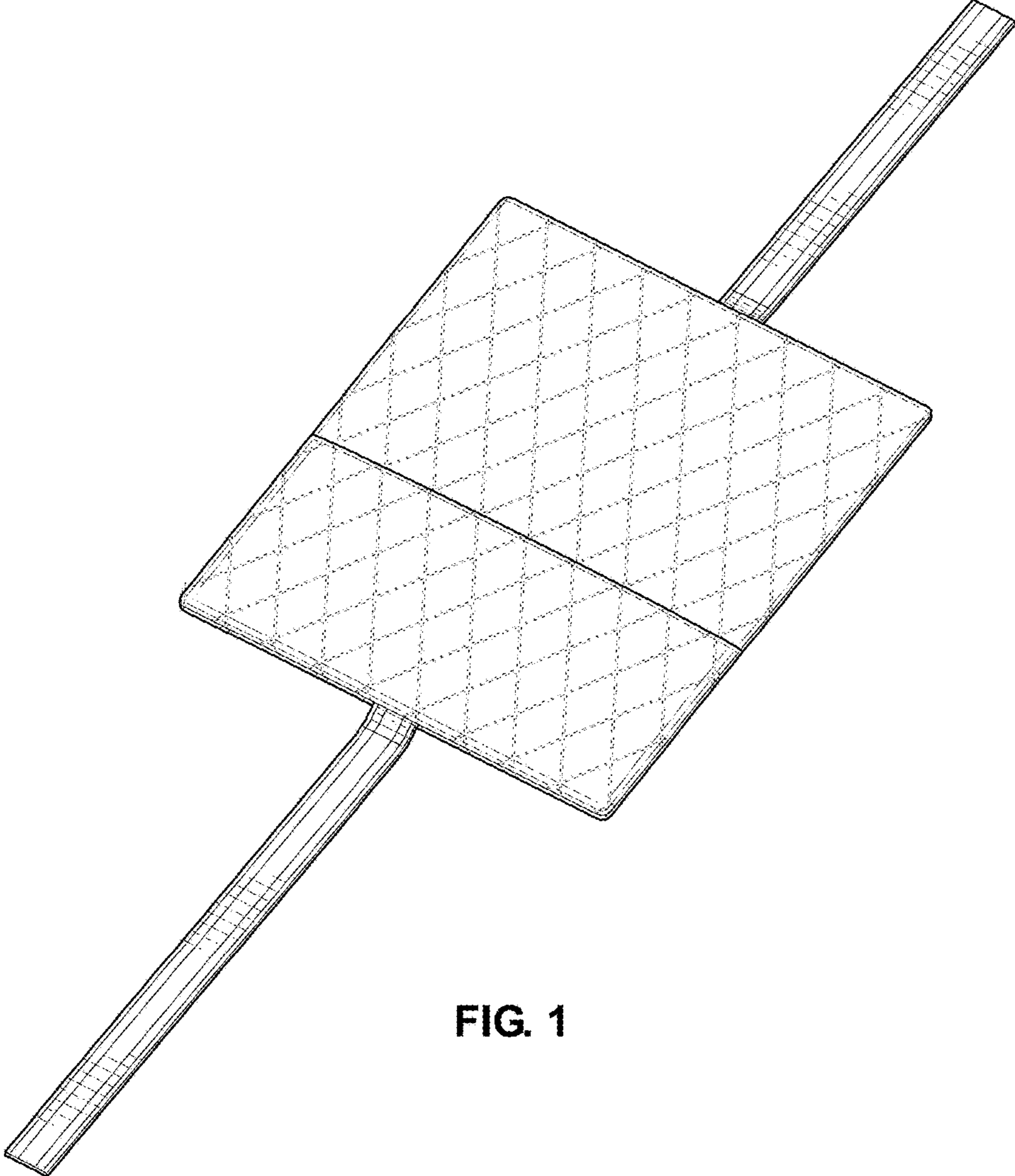


FIG. 1

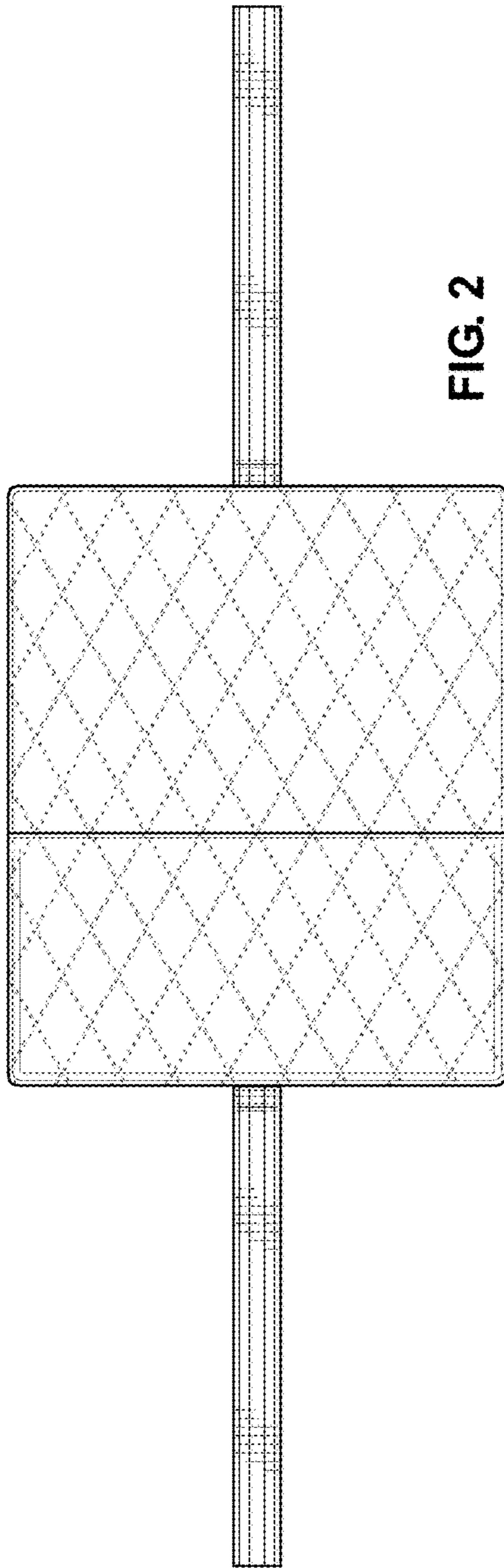


FIG. 2

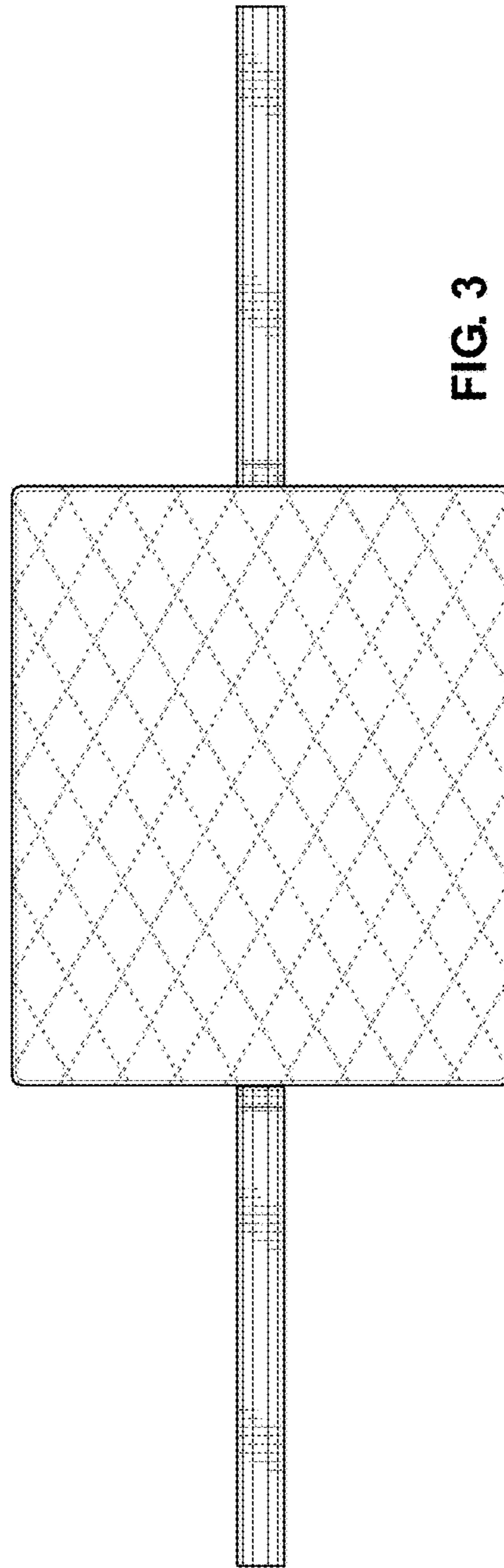


FIG. 3

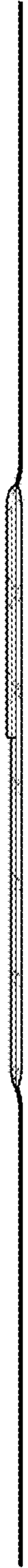


FIG. 4



FIG. 5



FIG. 6



FIG. 7