



US00D855321S

(12) **United States Design Patent** (10) **Patent No.:** **US D855,321 S**  
**Yamamoto** (45) **Date of Patent:** **\*\* \*Aug. 6, 2019**

(54) **STORAGE CASE**  
(71) Applicant: **Shinwa Co., Ltd.**, Niigata-Pref. (JP)  
(72) Inventor: **Kazunobu Yamamoto**, Niigata-Pref. (JP)  
(\* ) Notice: This patent is subject to a terminal disclaimer.  
(\*\*) Term: **15 Years**  
(21) Appl. No.: **29/609,809**  
(22) Filed: **Jul. 6, 2017**

(30) **Foreign Application Priority Data**  
Jan. 10, 2017 (JP) ..... 2017-000220  
(51) **LOC (12) Cl.** ..... **03-01**  
(52) **U.S. Cl.**  
USPC ..... **D3/297**  
(58) **Field of Classification Search**  
USPC ..... D3/273, 274, 275, 276, 280, 281, 284,  
D3/292, 294, 295, 296, 297, 298, 302,  
D3/905, 901, 903, 205, 203.1, 279, 282;  
D27/172, 186, 187, 189, 191; D6/336,  
D6/705, 663, 671, 671.1; D9/414;  
D19/72, 86, 92; D34/20  
CPC ..... B65D 11/1893; B65D 21/0213; A47B  
87/0284; A47B 43/00  
See application file for complete search history.

(56) **References Cited**  
**U.S. PATENT DOCUMENTS**  
D518,708 S \* 4/2006 Ohayon ..... D3/298  
D537,713 S \* 3/2007 Limber ..... D3/294  
D539,138 S \* 3/2007 Mittelstaedt ..... D3/294  
D583,172 S \* 12/2008 Cassel ..... D3/297  
D599,589 S \* 9/2009 Cassel ..... D3/297

D675,908 S \* 2/2013 Neuhaus ..... D9/414  
D708,875 S \* 7/2014 McNamara ..... D6/705  
D740,027 S \* 10/2015 Yamamoto ..... D3/297  
D740,563 S \* 10/2015 Yamamoto ..... D3/297  
D785,326 S \* 5/2017 Yamamoto ..... D3/297  
D785,328 S \* 5/2017 Yamamoto ..... D3/297  
D785,329 S \* 5/2017 Yamamoto ..... D3/297  
2018/0194513 A1 \* 7/2018 Yamamoto ..... B65D 11/1893

**OTHER PUBLICATIONS**

Shinwa and Japan Import drawer storage box plastic storage box wardrobe drawer cabinet clothes finishing Box, posted at yoycart.com, no posting date available, online, URL: <https://www.yoycart.com/Product/38988603184/> (Year: 2018).\*

\* cited by examiner

*Primary Examiner* — Anhdao Doan  
*Assistant Examiner* — Mary Shannon Malley  
(74) *Attorney, Agent, or Firm* — Prakash Nama; Global IP Services, PLLC

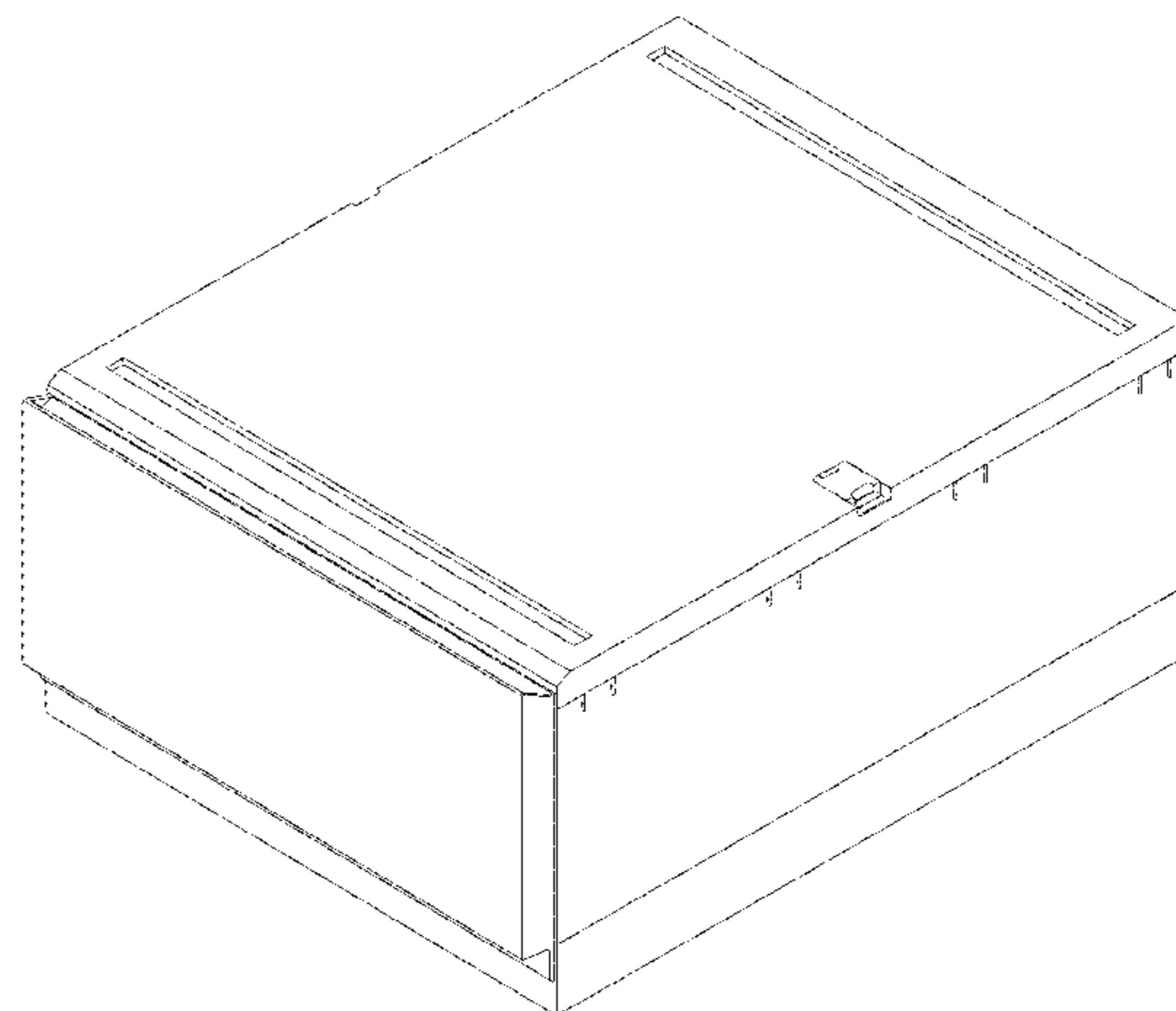
(57) **CLAIM**

The ornamental design for a storage case, as shown and described.

**DESCRIPTION**

FIG. 1 is a front elevational view of a storage case showing my new design;  
FIG. 2 is a rear elevational view thereof;  
FIG. 3 is a left side view thereof;  
FIG. 4 is a right side view thereof;  
FIG. 5 is a top plan view thereof;  
FIG. 6 is a bottom plan view thereof; and,  
FIG. 7 is a perspective view thereof.  
The broken lines shown illustrate portions of the storage case that form no part of the claimed design.

**1 Claim, 7 Drawing Sheets**



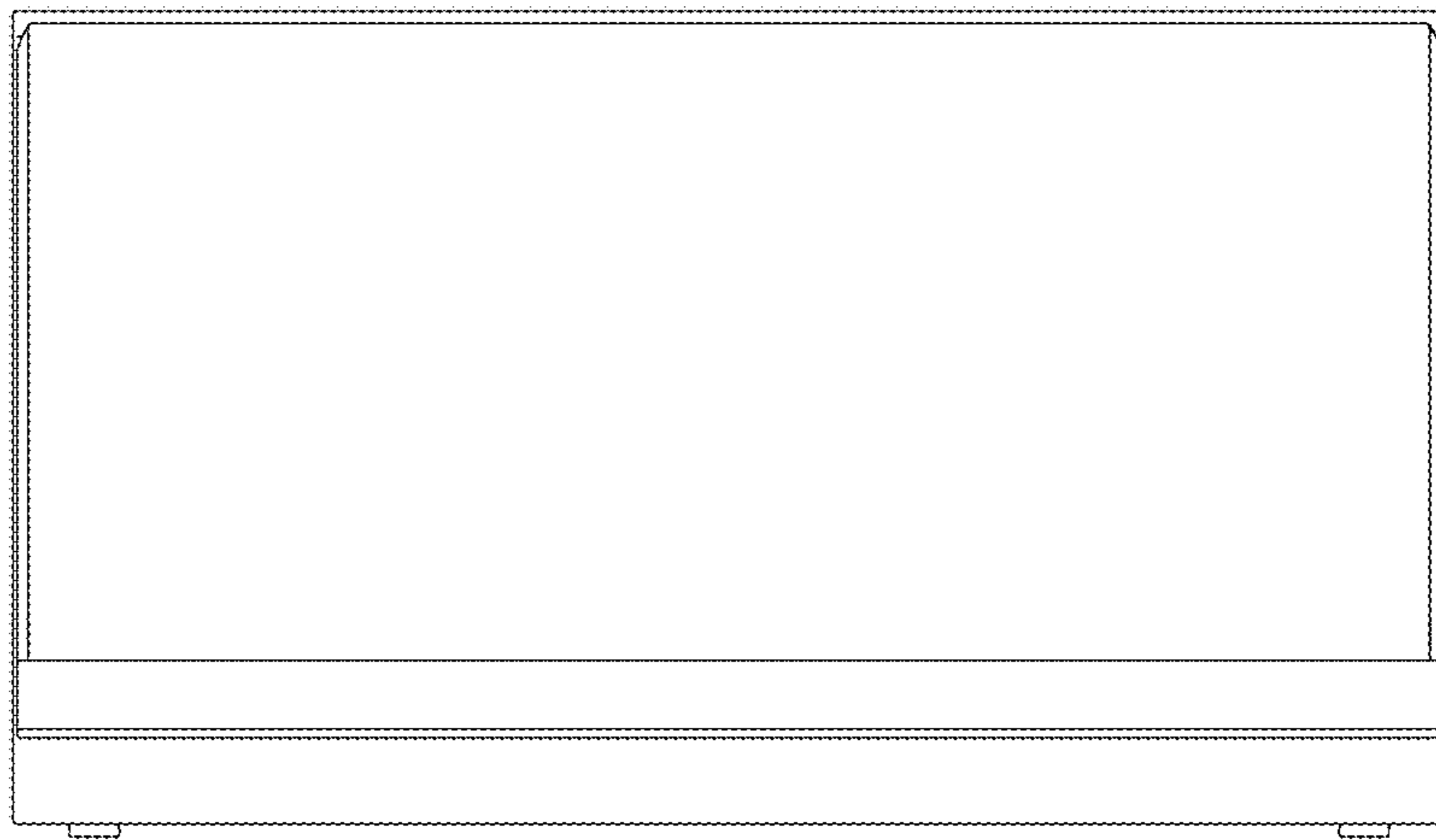


Fig.1

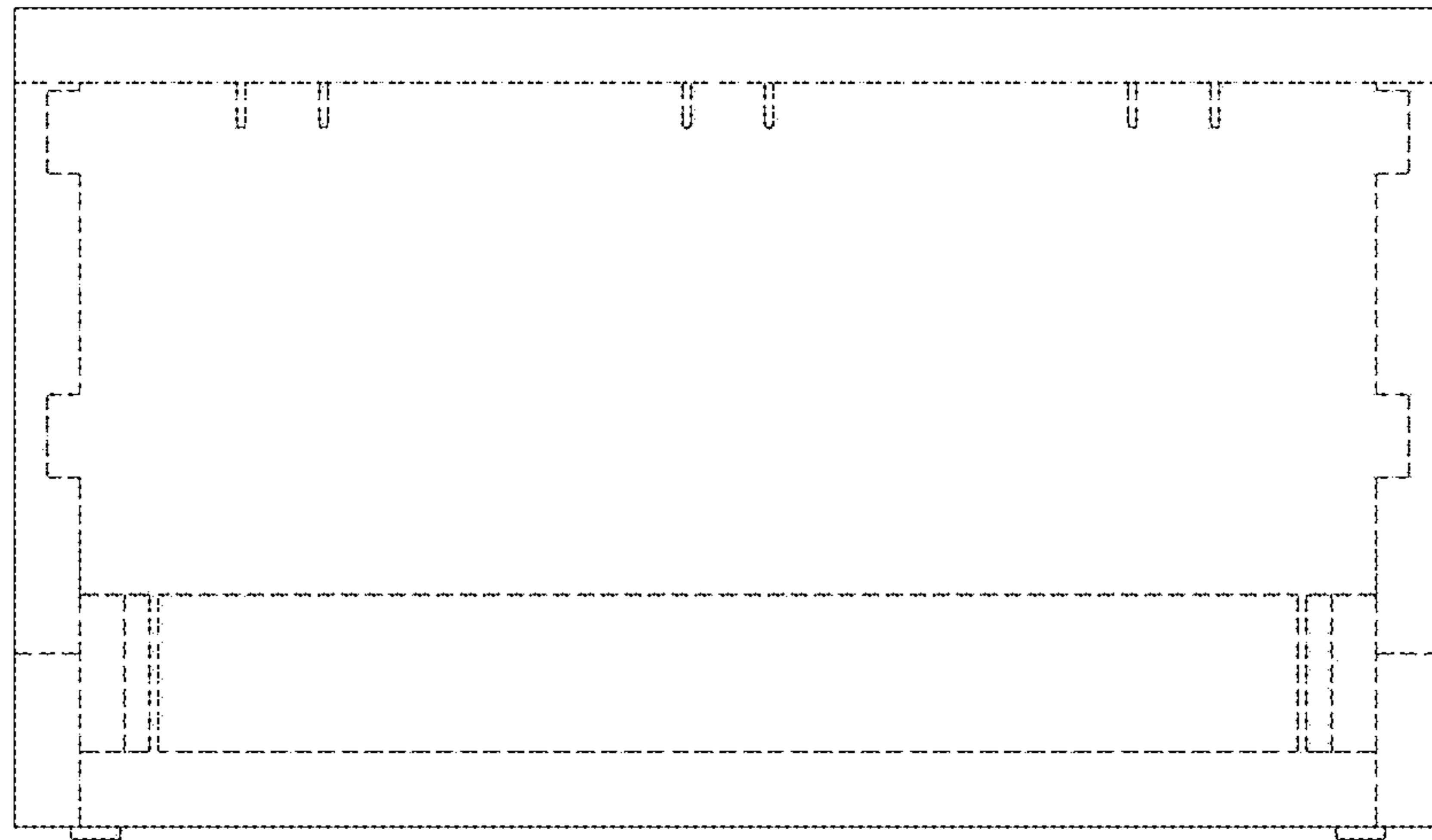


Fig.2

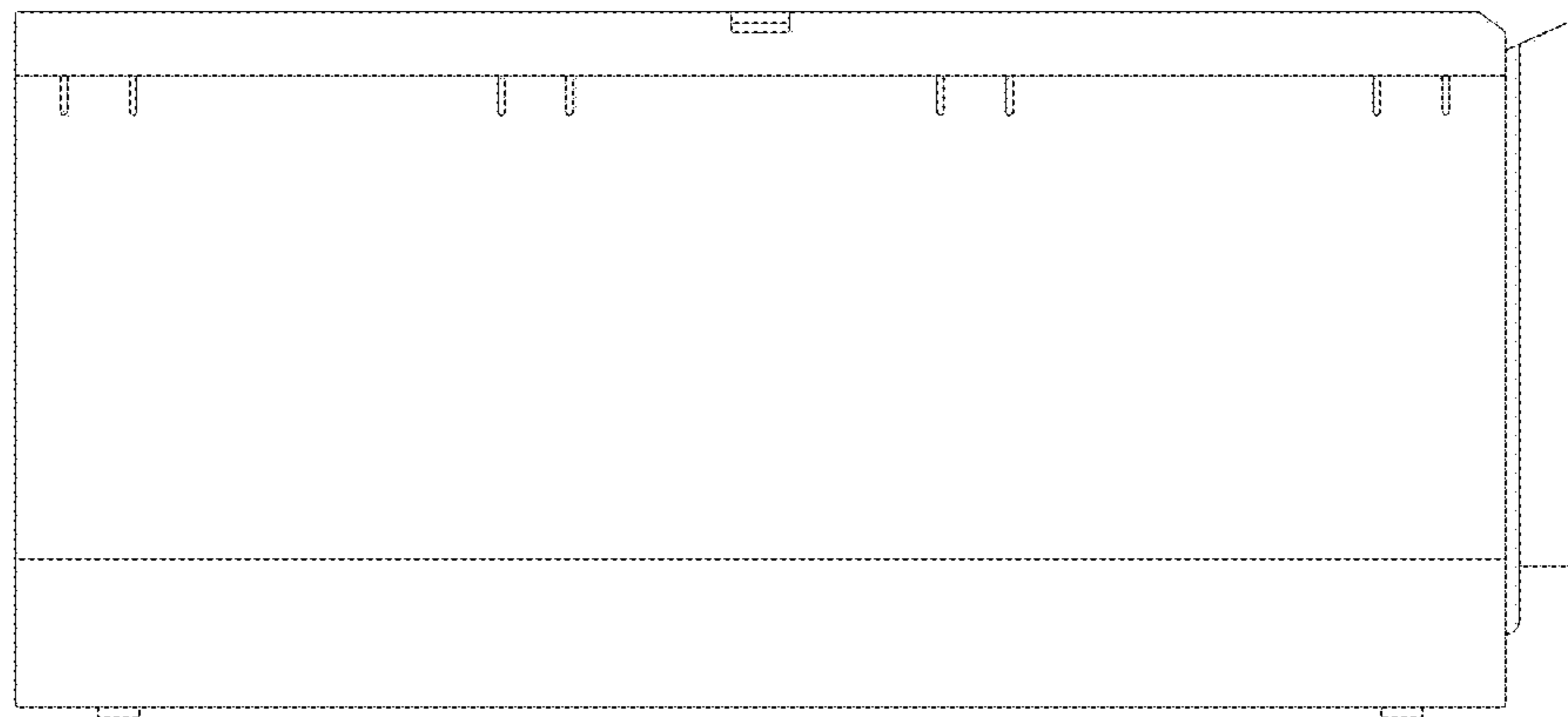


Fig.3

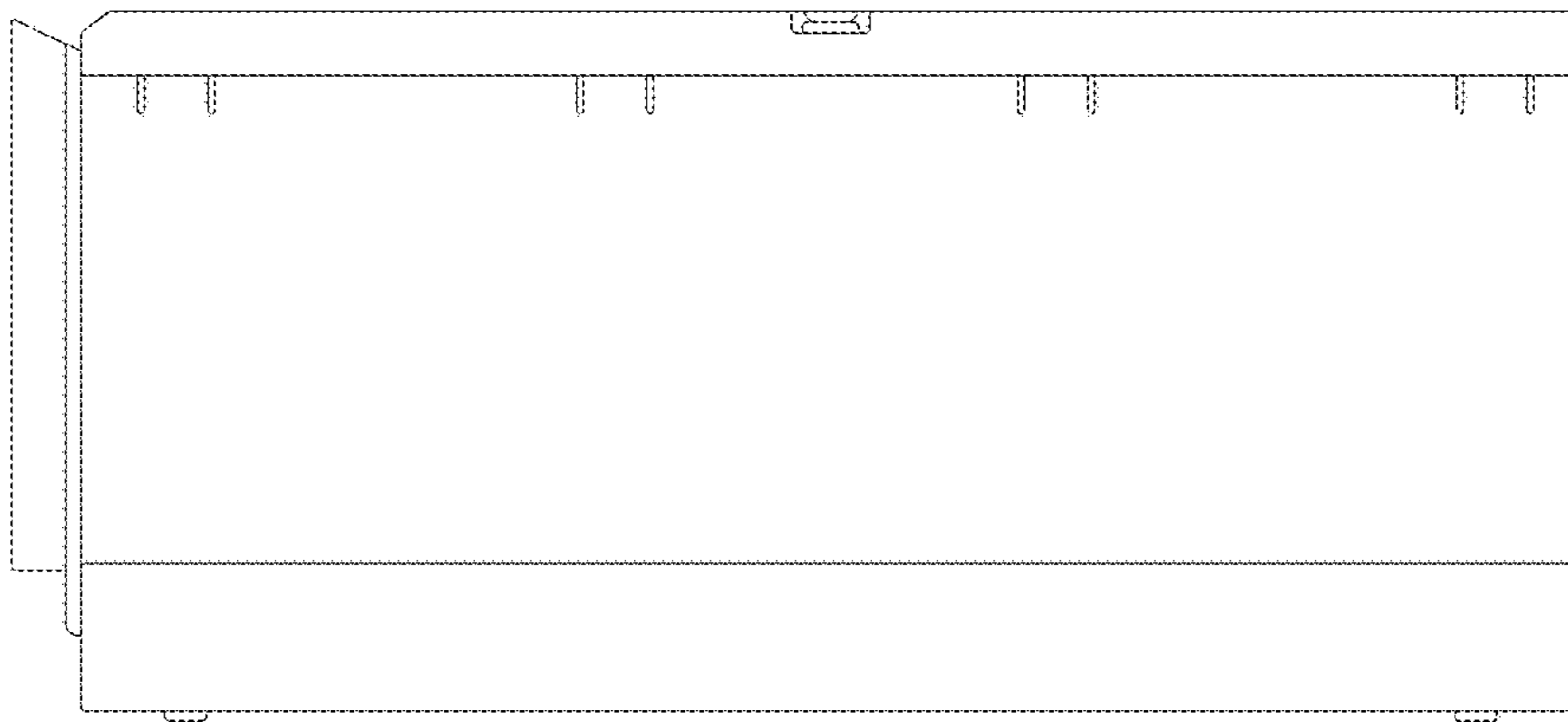


Fig.4

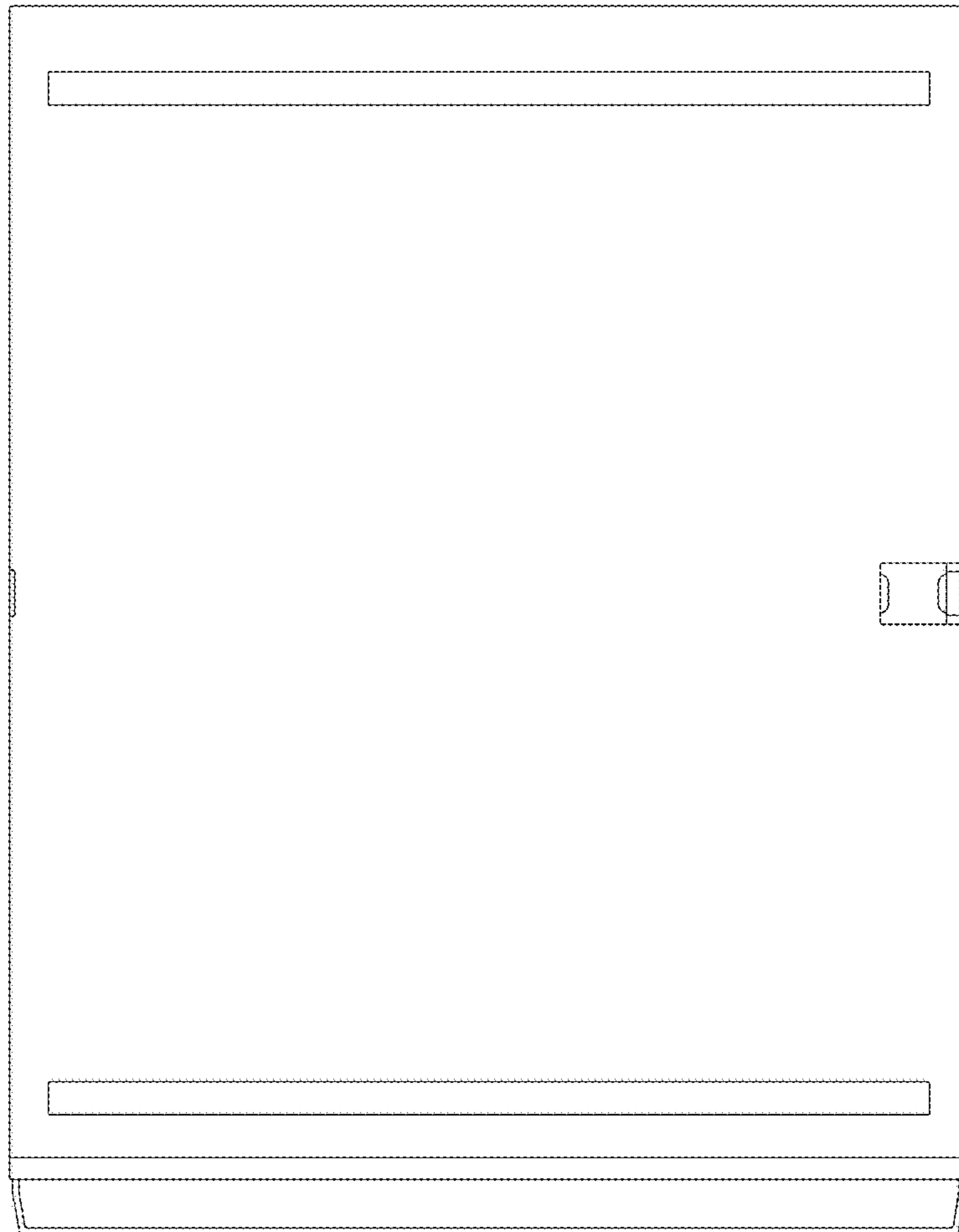


Fig.5

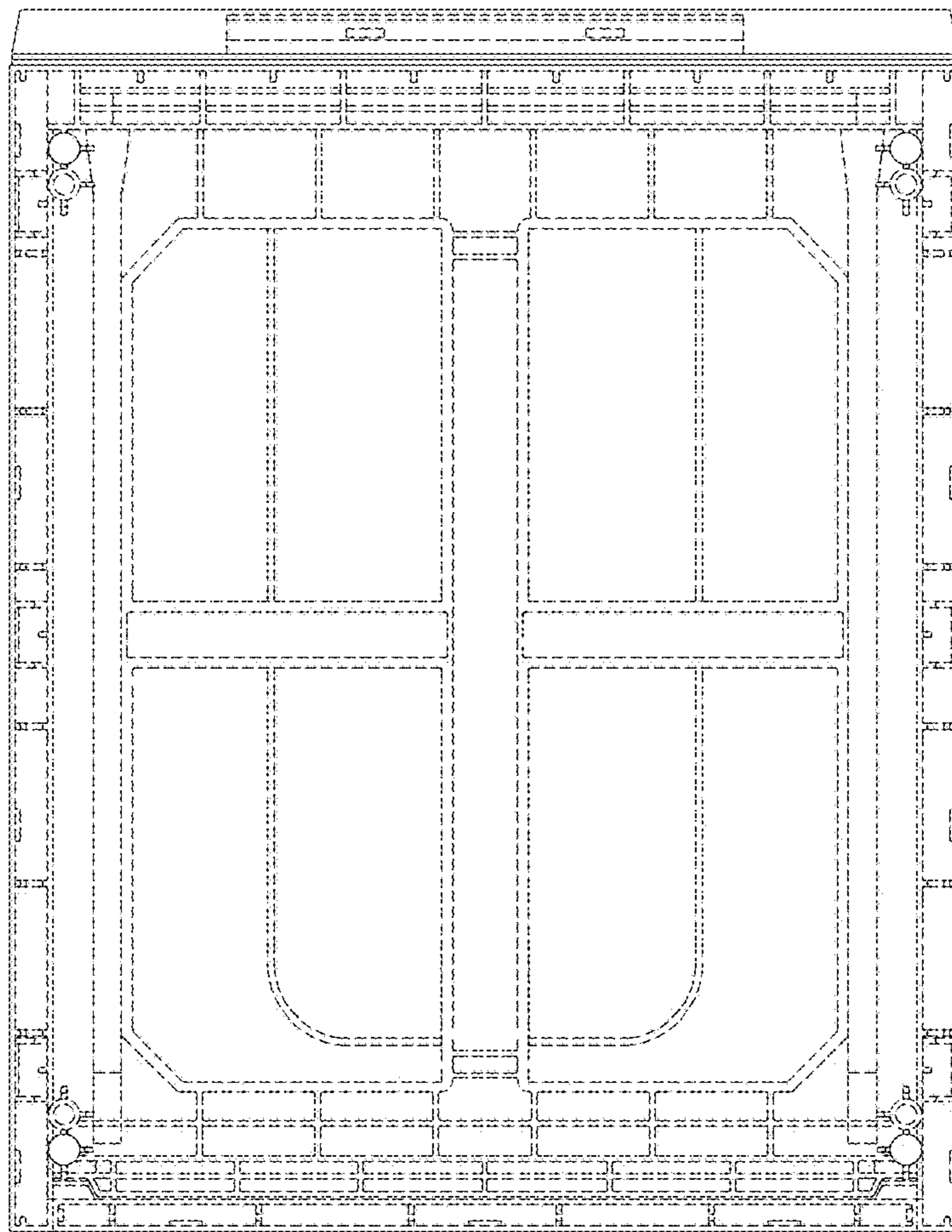


Fig.6

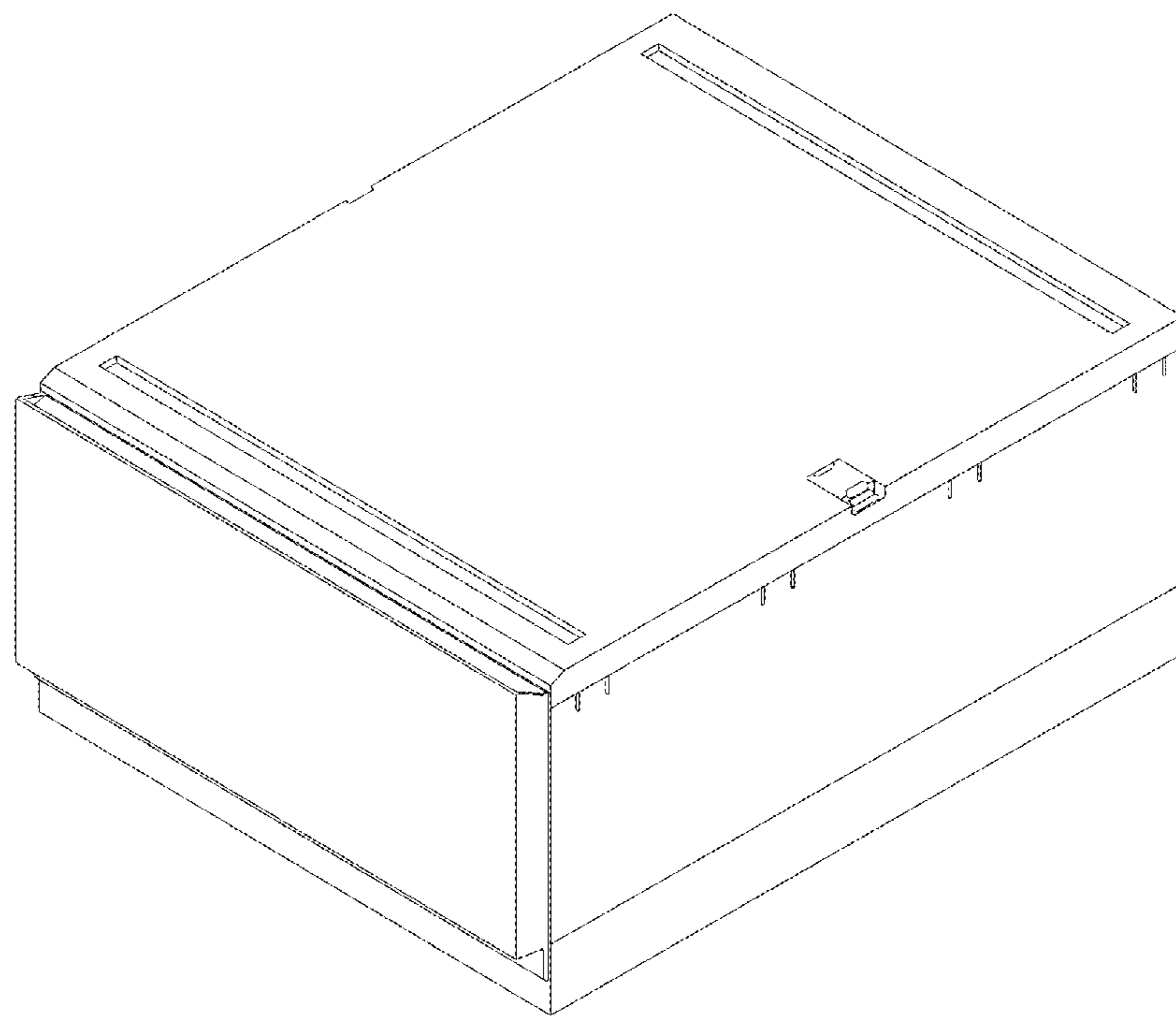


Fig.7