



US00D855319S

(12) **United States Design Patent**  
**Zadvinskis et al.**

(10) **Patent No.:** **US D855,319 S**

(45) **Date of Patent:** **\*\* Aug. 6, 2019**

(54) **COMPUTER CASE**

(71) Applicants: **Mark Zadvinskis**, Saline, MI (US);  
**Adam Ostroff**, West Bloomfield, MI (US)

(72) Inventors: **Mark Zadvinskis**, Saline, MI (US);  
**Adam Ostroff**, West Bloomfield, MI (US)

(\*\*) Term: **15 Years**

(21) Appl. No.: **29/591,234**

(22) Filed: **Jan. 18, 2017**

(51) **LOC (12) Cl.** ..... **03-01**

(52) **U.S. Cl.**  
USPC ..... **D3/289**

(58) **Field of Classification Search**  
USPC ..... D3/201, 203.1, 203.6, 203.7, 213, 216,  
D3/217, 232, 235, 242, 243, 269, 273,  
D3/274, 276, 283, 289, 290, 900, 902,  
D3/904

CPC .... A45C 3/00; A45C 3/02; A45C 5/00; A45C  
9/00; A45C 2011/003

See application file for complete search history.

(56) **References Cited**

**U.S. PATENT DOCUMENTS**

D434,901 S	*	12/2000	Eskandry	.....	D3/283
D458,749 S	*	6/2002	Bruni	.....	D3/276
D574,615 S	*	8/2008	Picot	.....	D3/289
D643,214 S	*	8/2011	Weedon	.....	D3/276
D655,084 S	*	3/2012	Shor	.....	D3/276
D665,579 S	*	8/2012	Fair	.....	D3/289
D667,220 S	*	9/2012	Fair	.....	D3/299
D668,872 S	*	10/2012	Fair	.....	D3/289

D672,959 S	*	12/2012	Denzinger	.....	D3/289
D692,236 S	*	10/2013	Ashkenazy	.....	D3/289
D703,439 S	*	4/2014	Fair	.....	D3/289
D715,052 S	*	10/2014	Fair	.....	D3/301

**OTHER PUBLICATIONS**

Amazon, ““Always On” Slim EVA 11" Rugged Chromebook and Notebook Case”, first on sale Aug. 14, 2016. (<https://www.amazon.com/dp/B01KDVWYS6/>).\*

Ed Tech Bits blog, “Higher Ground Shuttle Case Review”, posted Dec. 20, 2017. (<http://edtechbits.com/2017/12/20/higher-ground-shuttle-case-review/>).\*

\* cited by examiner

*Primary Examiner* — Jennifer Rivard

*Assistant Examiner* — April Rivas

(74) *Attorney, Agent, or Firm* — John G. Posa; Belzer P.C.

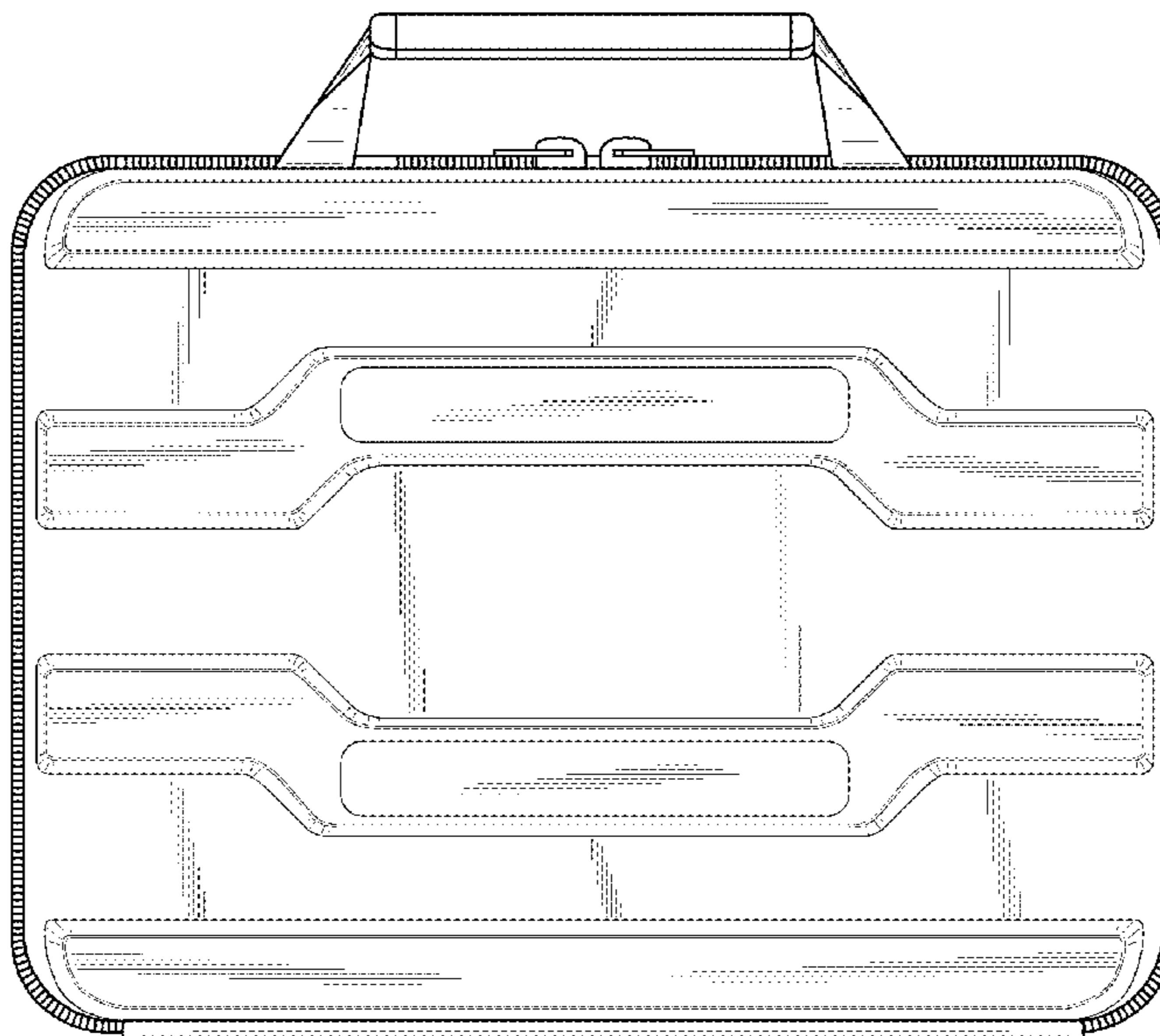
(57) **CLAIM**

The ornamental design for a computer case, as shown and described.

**DESCRIPTION**

FIG. 1 is a front view of the computer case;  
FIG. 2 is a back view of the computer case;  
FIG. 3 is a top view of the computer case;  
FIG. 4 is a bottom view of the computer case;  
FIG. 5 is a side view of the computer case;  
FIG. 6 is a front view of the computer case in an open condition;  
FIG. 7 is a top-down view of the computer case in an open condition; and,  
FIG. 8 is an oblique view of the computer case in an open condition.

**1 Claim, 6 Drawing Sheets**



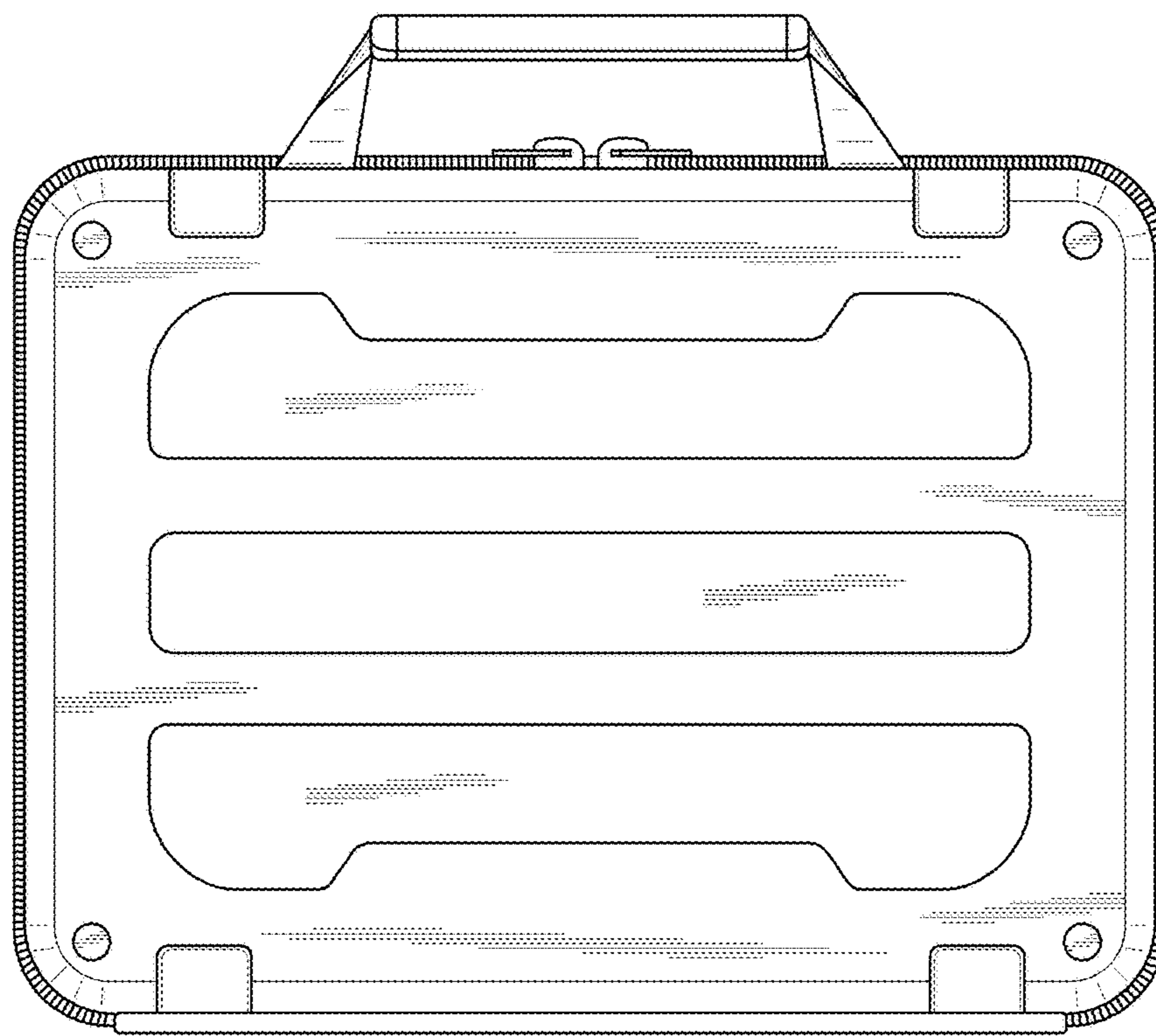


FIG. 1

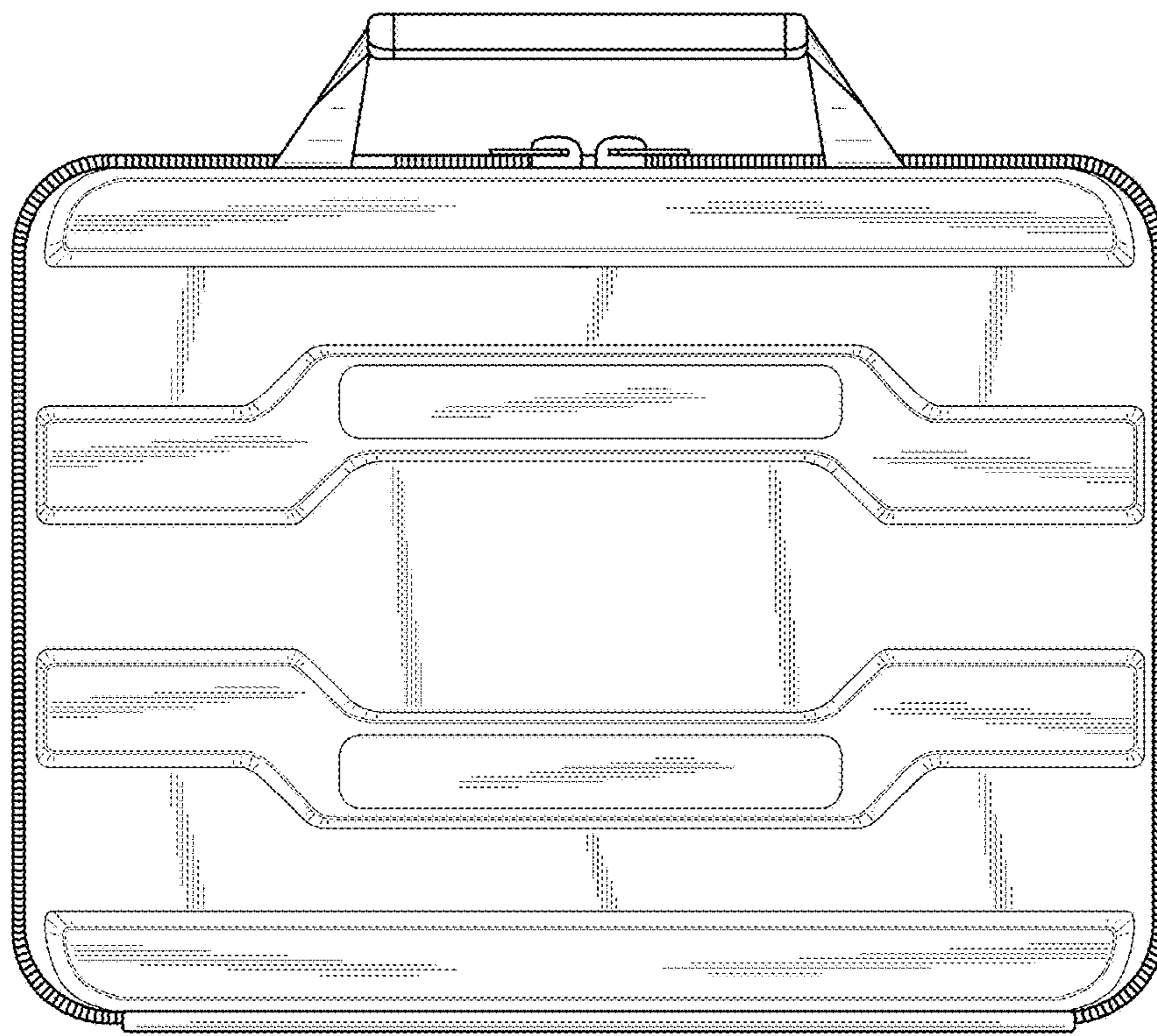


FIG. 2

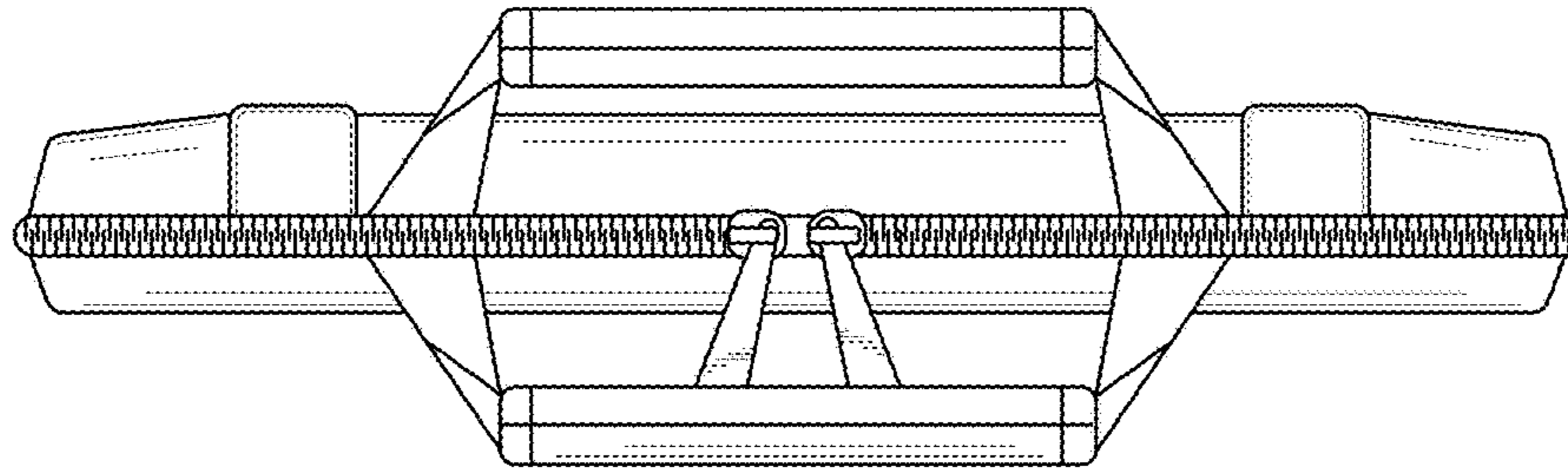


FIG. 3

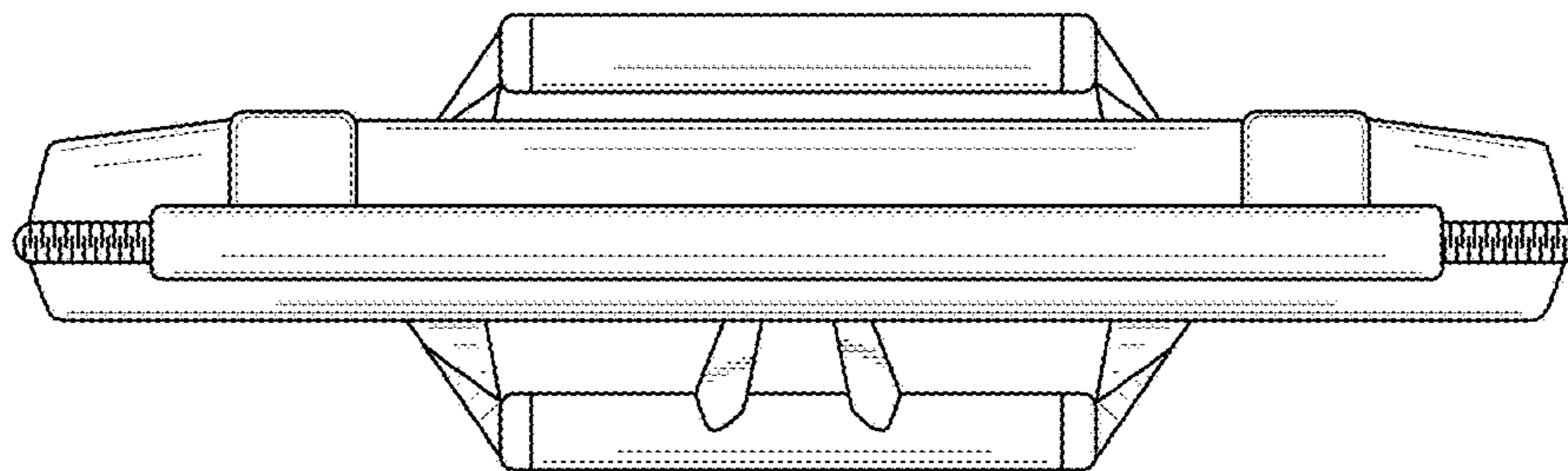


FIG. 4

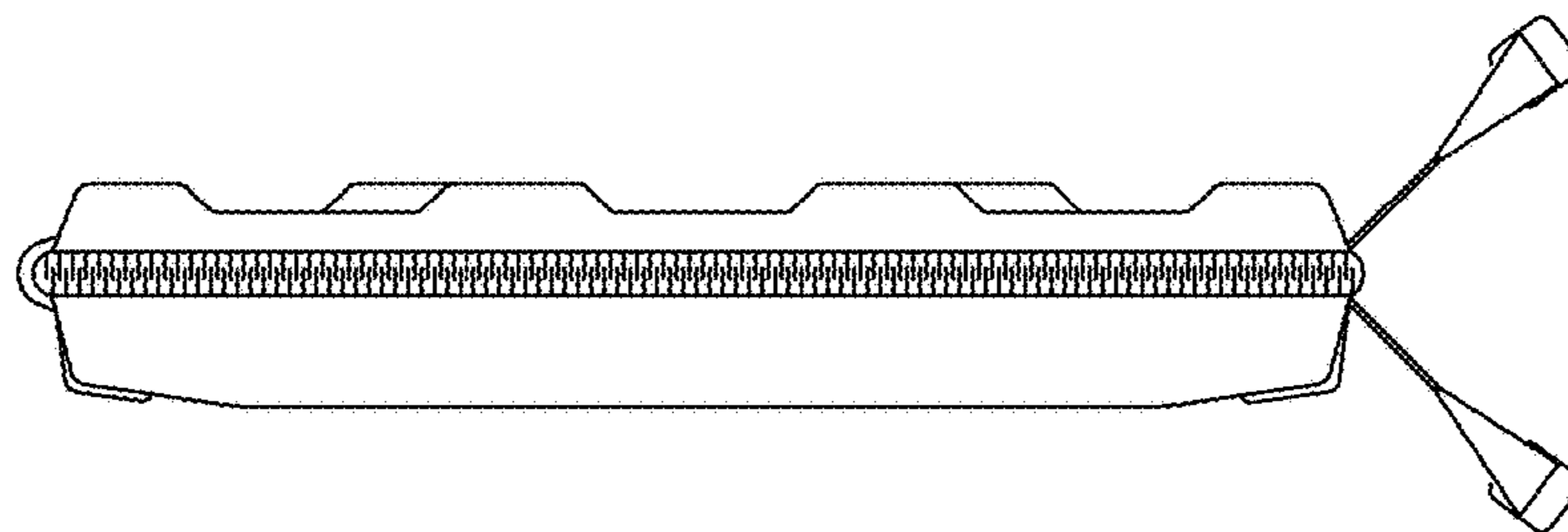


FIG. 5

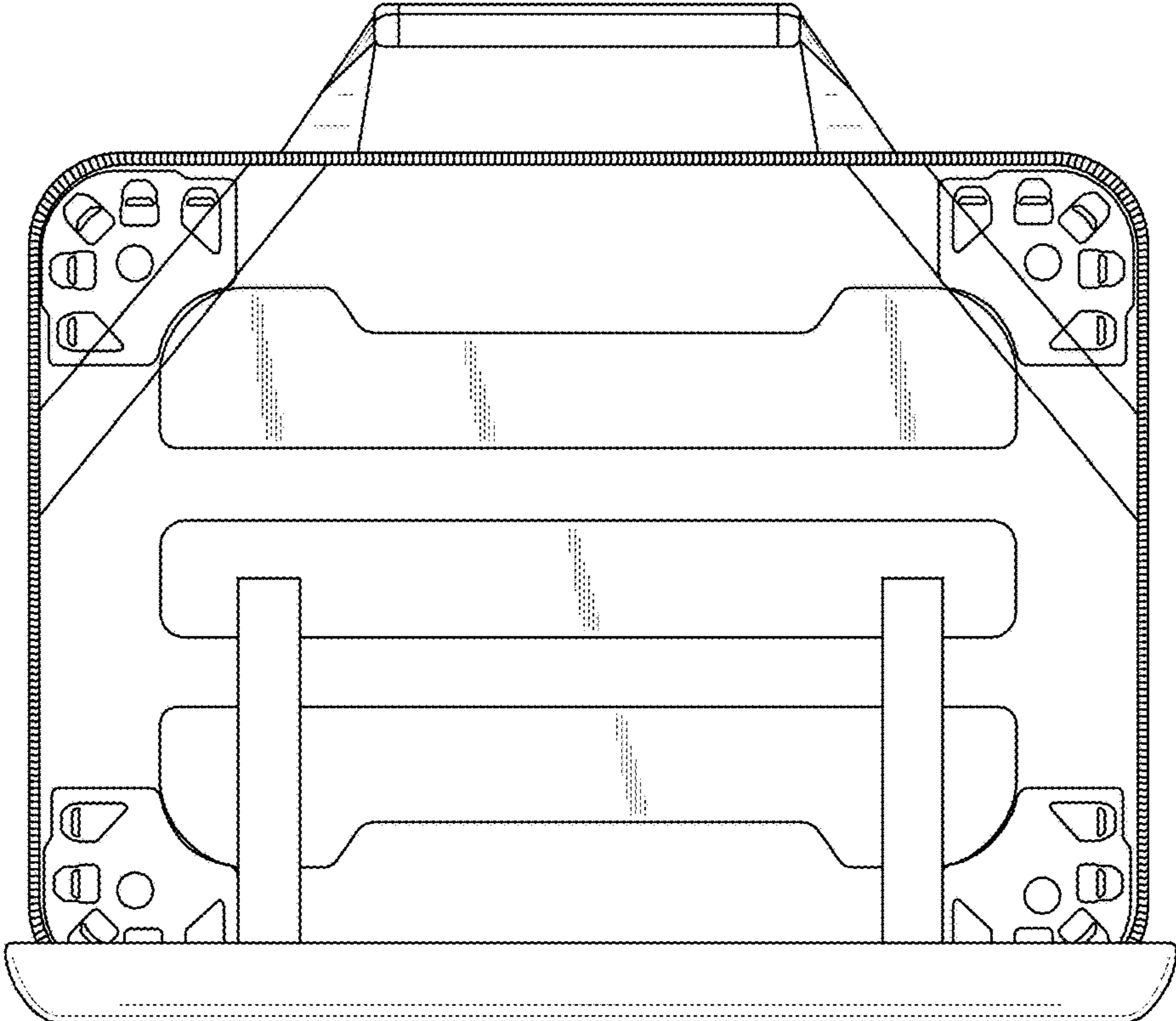


FIG. 6

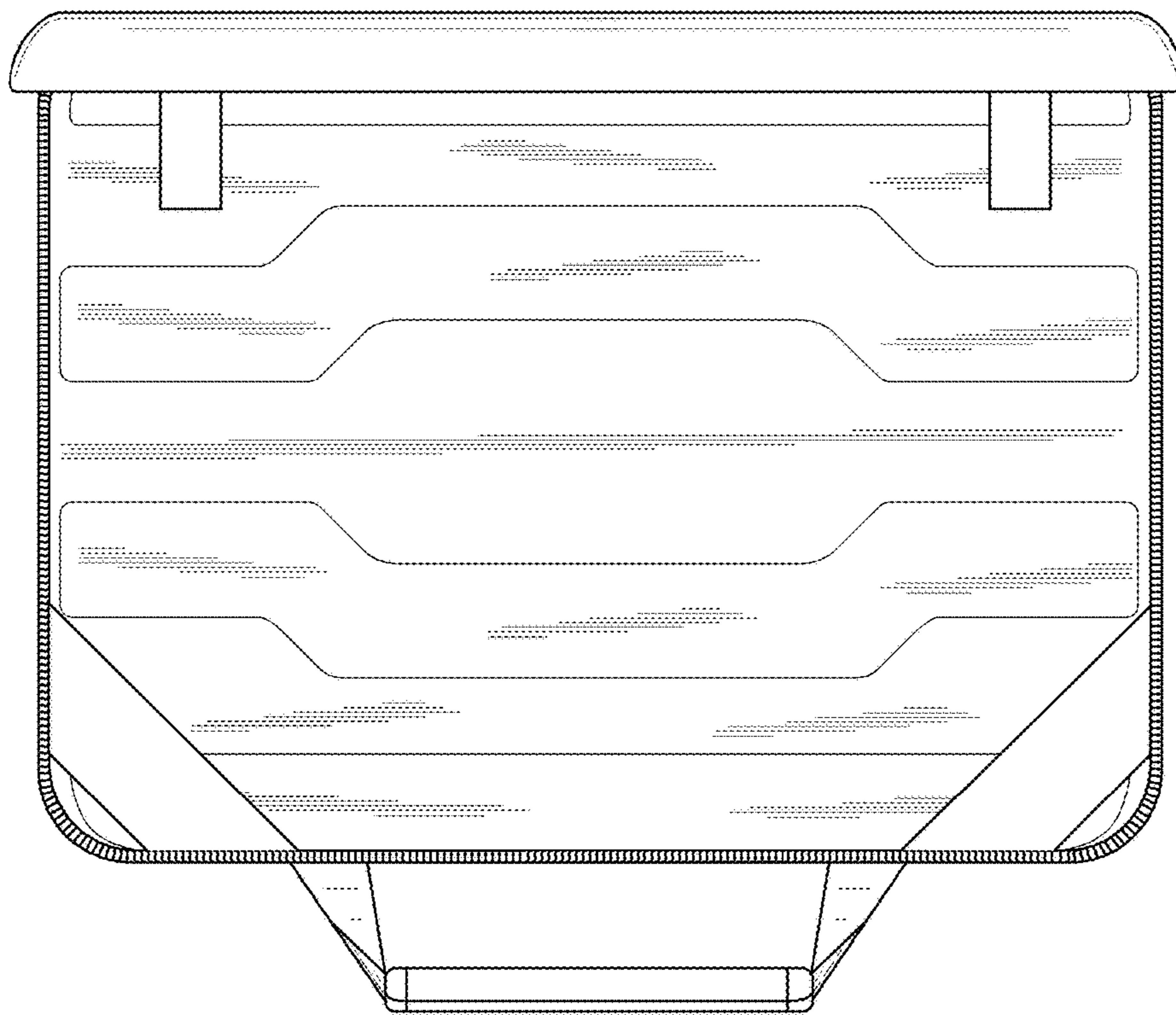


FIG. 7

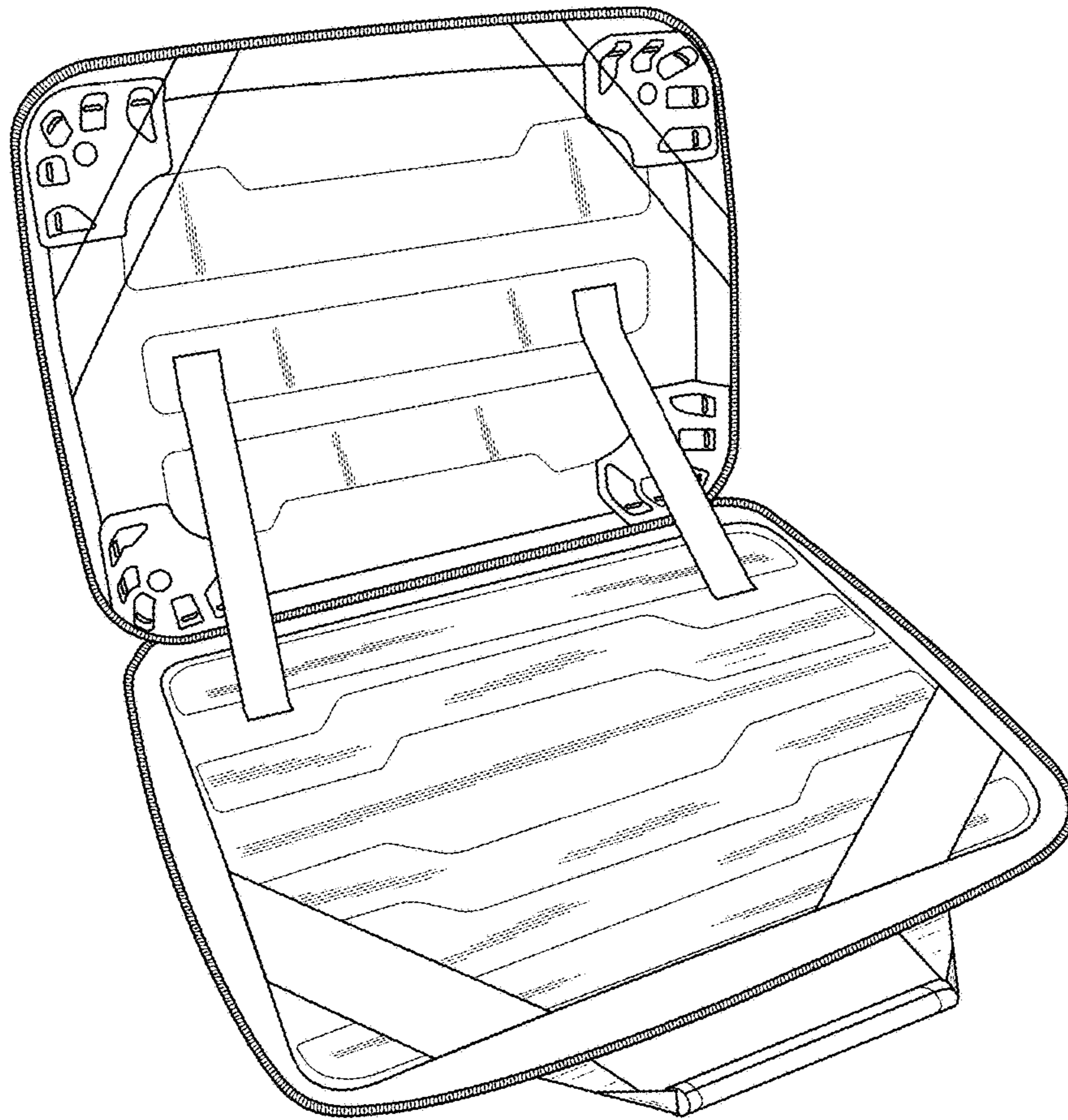


FIG. 8