



US00D855318S

(12) **United States Design Patent**
Chen

(10) **Patent No.:** **US D855,318 S**

(45) **Date of Patent:** **** Aug. 6, 2019**

(54) **GLASSES CASE**

(71) Applicant: **Fengwu Chen**, Wenzhou (CN)

(72) Inventor: **Fengwu Chen**, Wenzhou (CN)

(**) Term: **15 Years**

(21) Appl. No.: **29/624,550**

(22) Filed: **Nov. 2, 2017**

(51) **LOC (12) Cl.** **03-01**

(52) **U.S. Cl.**
USPC **D3/265**

(58) **Field of Classification Search**
USPC D3/207, 215, 219, 229, 263–268, 301;
D12/417; D16/330, 339; 24/3.3, 3.7,
24/3.8, 563; 206/5, 5.1, 6; 248/902;
351/112, 155
CPC A45C 11/04; A47F 7/02; A47F 7/021
See application file for complete search history.

(56) **References Cited**

U.S. PATENT DOCUMENTS

D155,480 S * 10/1949 Castelli D3/265
2,642,987 A * 6/1953 Castelli A45C 13/005
16/227
2,720,305 A * 10/1955 Foster A45C 11/04
206/5
D226,502 S * 3/1973 Hori D3/265
4,984,682 A * 1/1991 Cummins A45C 11/04
206/5
5,501,321 A * 3/1996 Liu A45C 11/04
206/5
D397,551 S * 9/1998 Shefler D3/263

D403,505 S * 1/1999 Clark A45C 11/04
D3/265
5,921,383 A * 7/1999 Shefler A45C 11/04
206/38
D651,403 S * 1/2012 Haft A45C 11/04
D3/265
D743,166 S * 11/2015 Pluta A45C 11/04
D3/266
D743,167 S * 11/2015 Pluta A45C 11/04
D3/266
D793,085 S * 8/2017 Alex A45C 13/005
D3/265
2009/0057165 A1 * 3/2009 Park A45C 11/04
206/6

* cited by examiner

Primary Examiner — T Chase Nelson

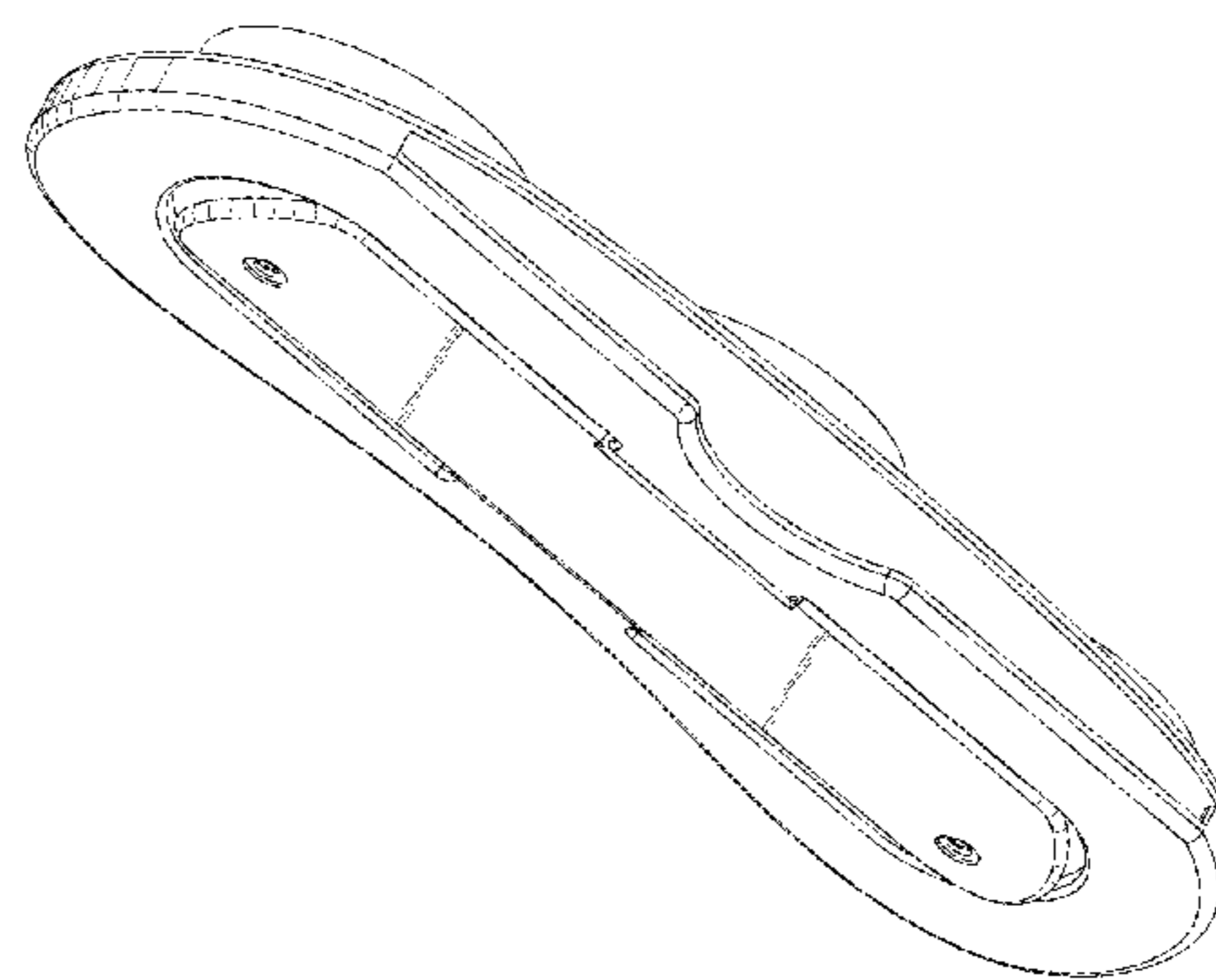
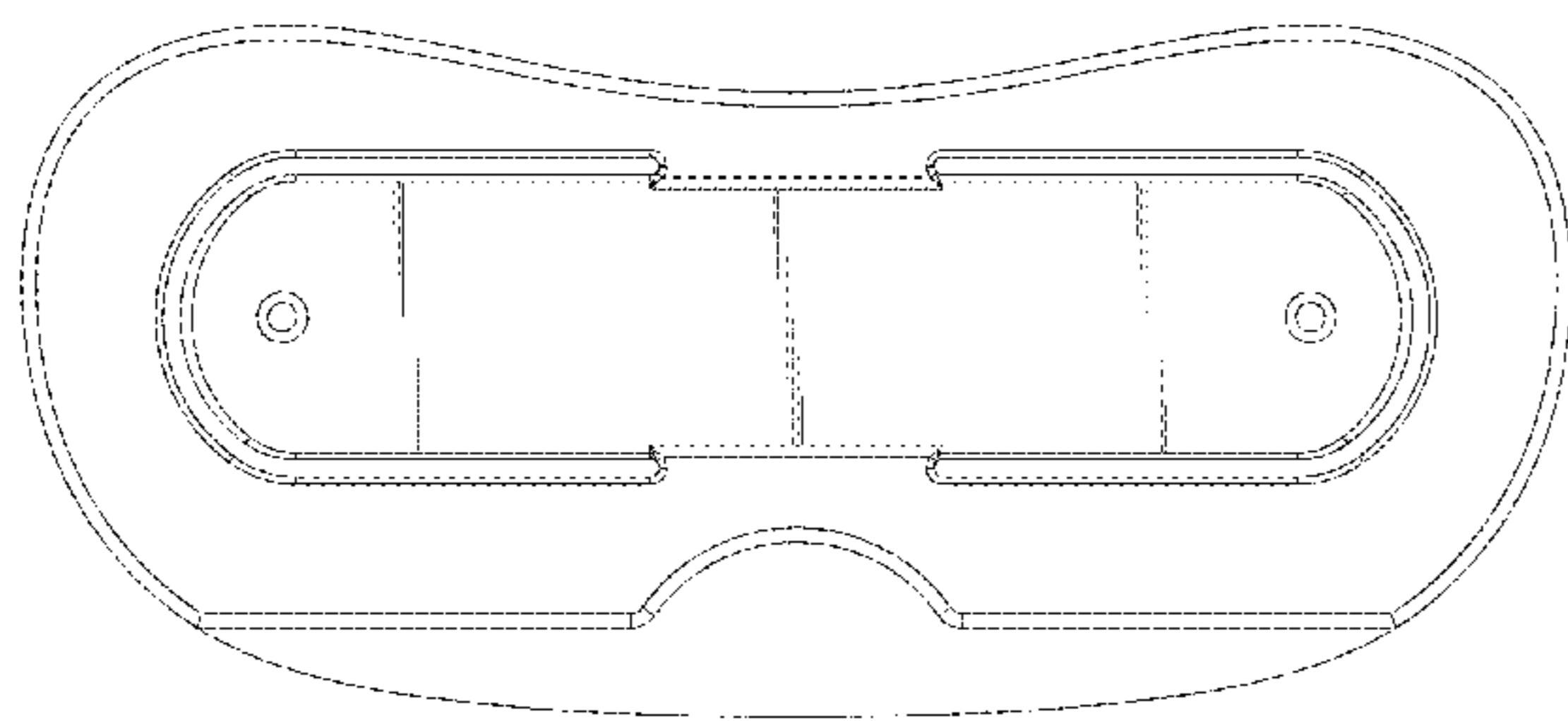
(57) **CLAIM**

The ornamental design for a glasses case, as shown and described.

DESCRIPTION

FIG. 1 is a front elevational view of a glasses case showing my new design;
FIG. 2 is a rear elevational view thereof;
FIG. 3 is a left side elevational view thereof;
FIG. 4 is a right side elevational view thereof;
FIG. 5 is a top plan view thereof;
FIG. 6 is a bottom plan view thereof;
FIG. 7 is a front perspective view thereof;
FIG. 8 is a rear perspective view thereof; and,
FIG. 9 is another front perspective view showing the stand of the glasses case in an alternate, extended position.

1 Claim, 5 Drawing Sheets



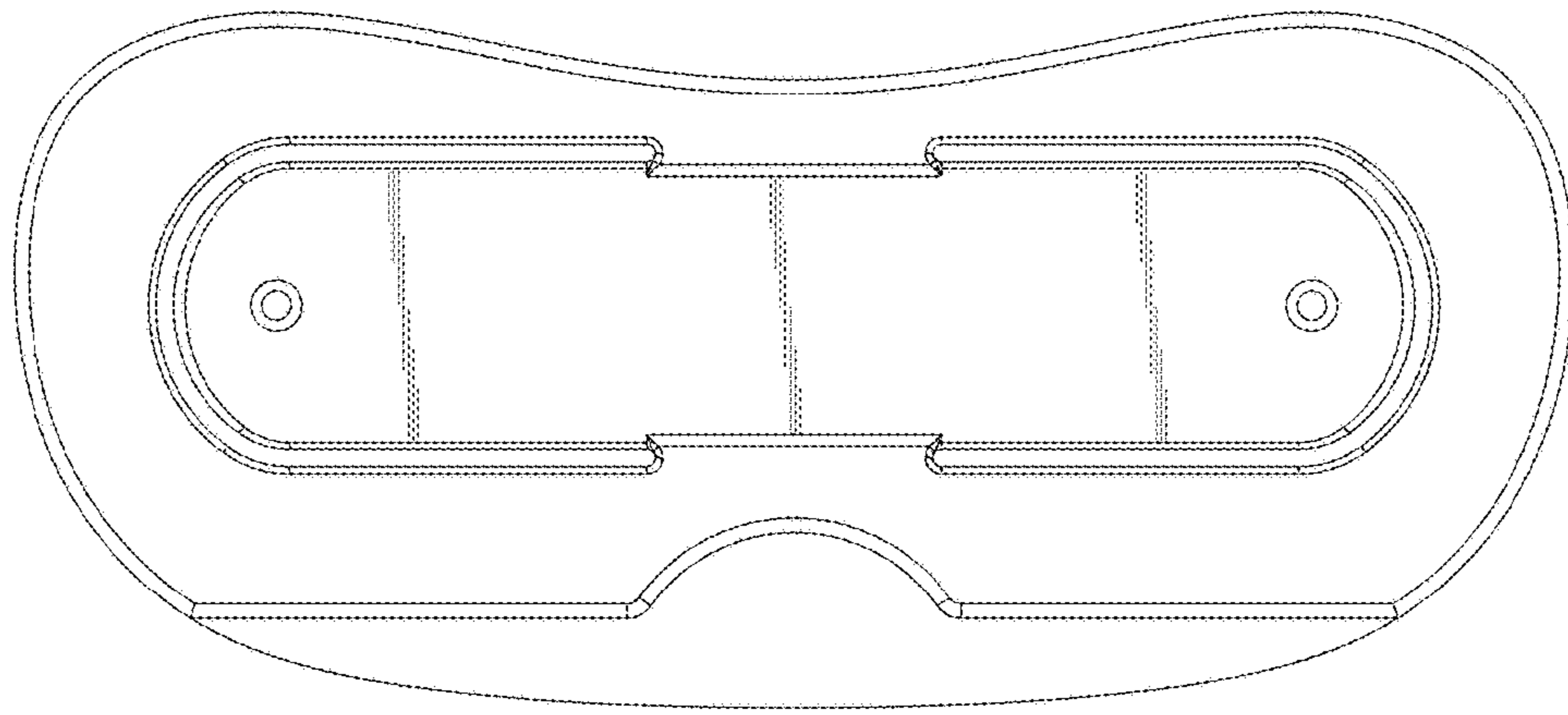


FIG. 1

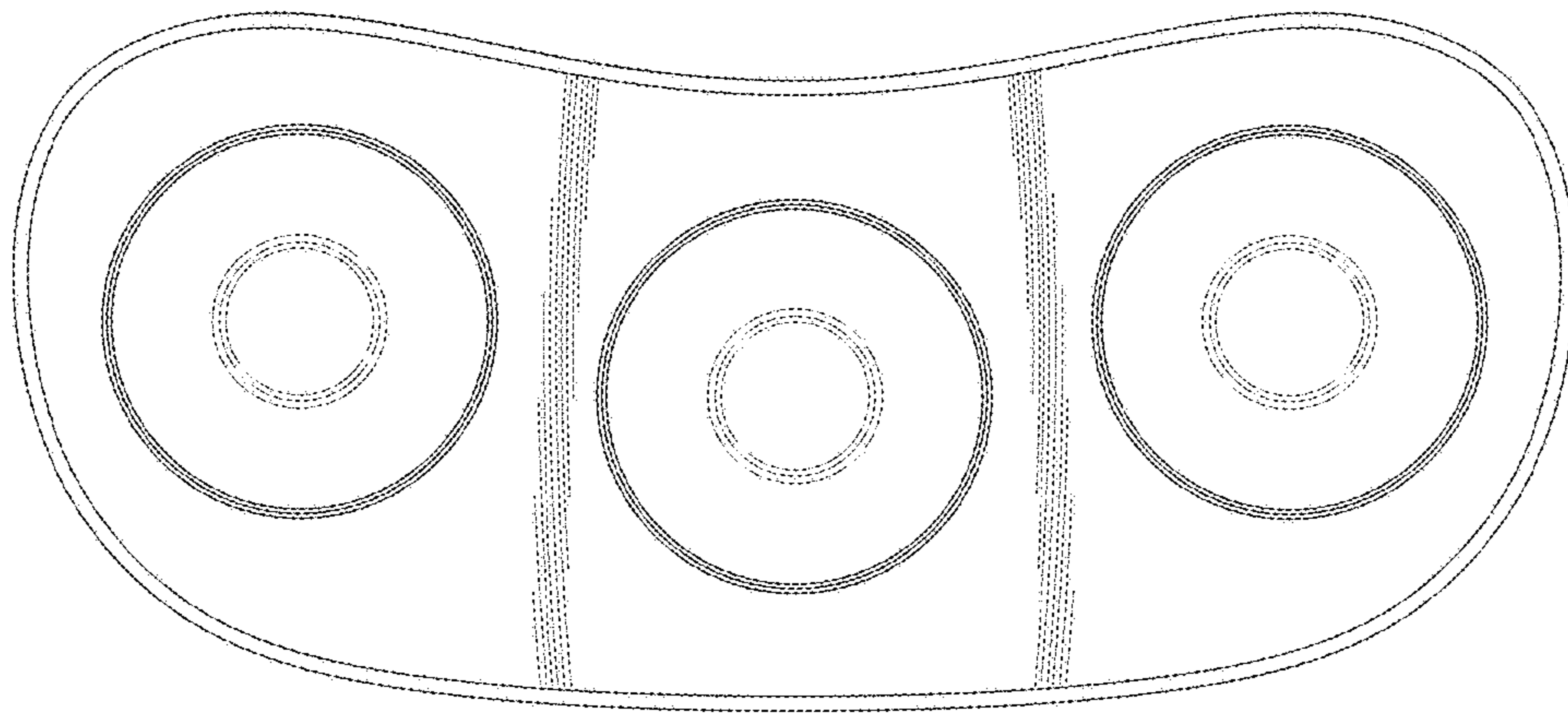


FIG. 2

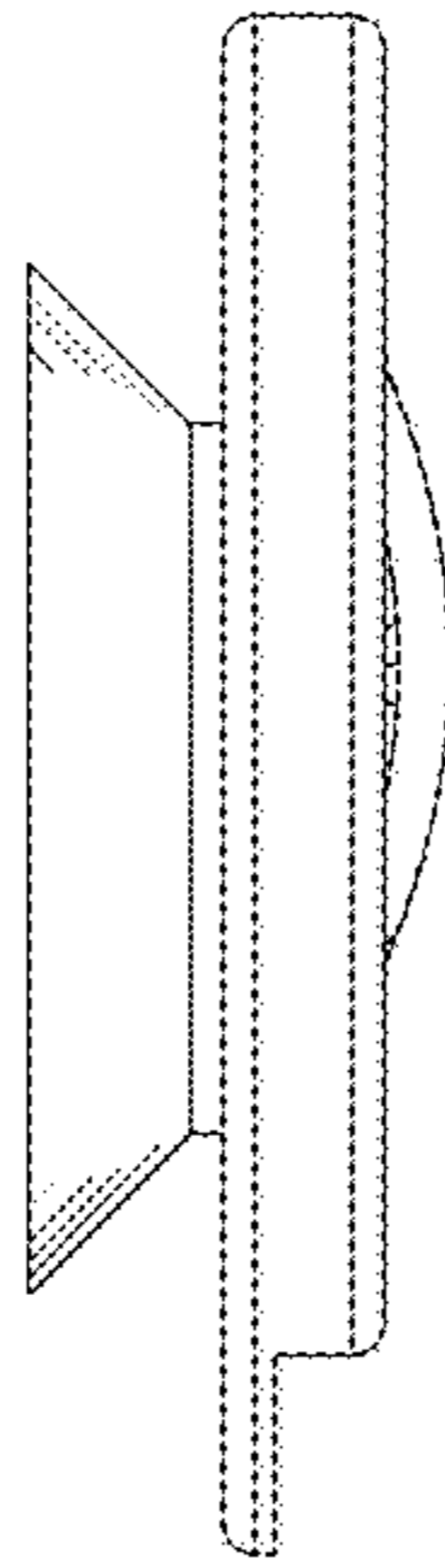


FIG.3

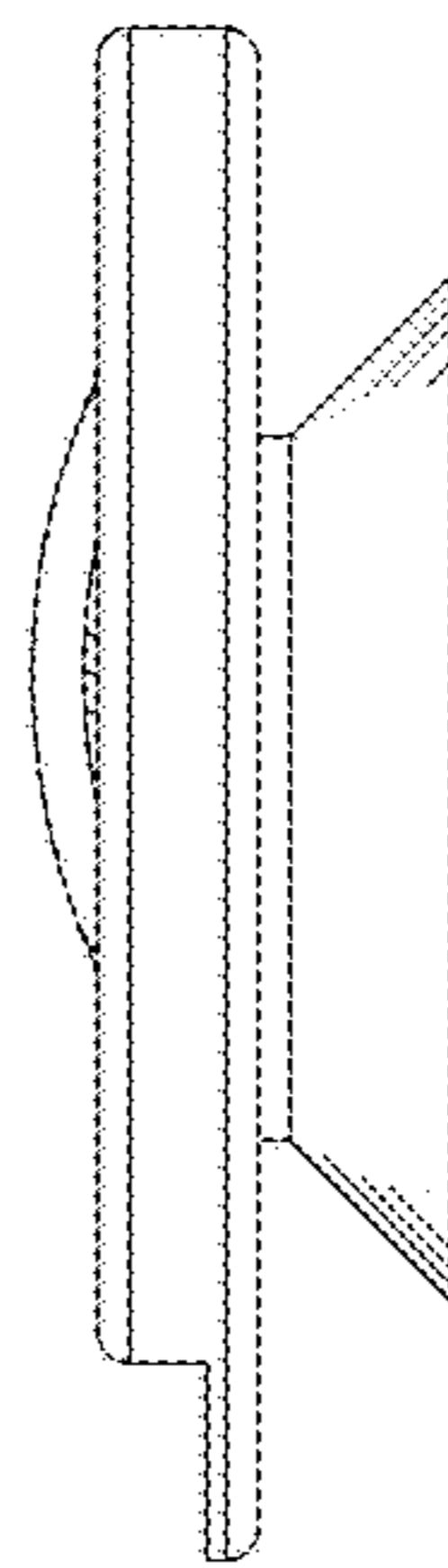


FIG.4

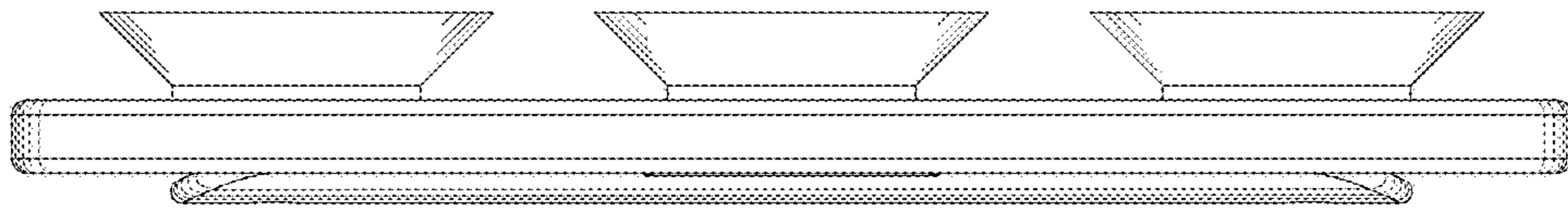


FIG. 5

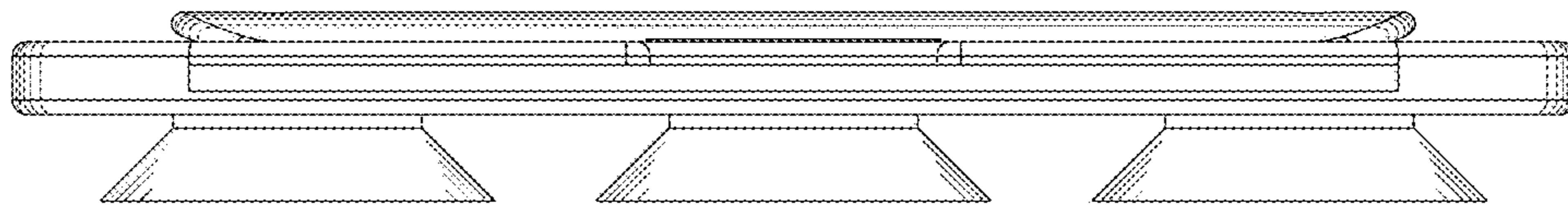


FIG. 6

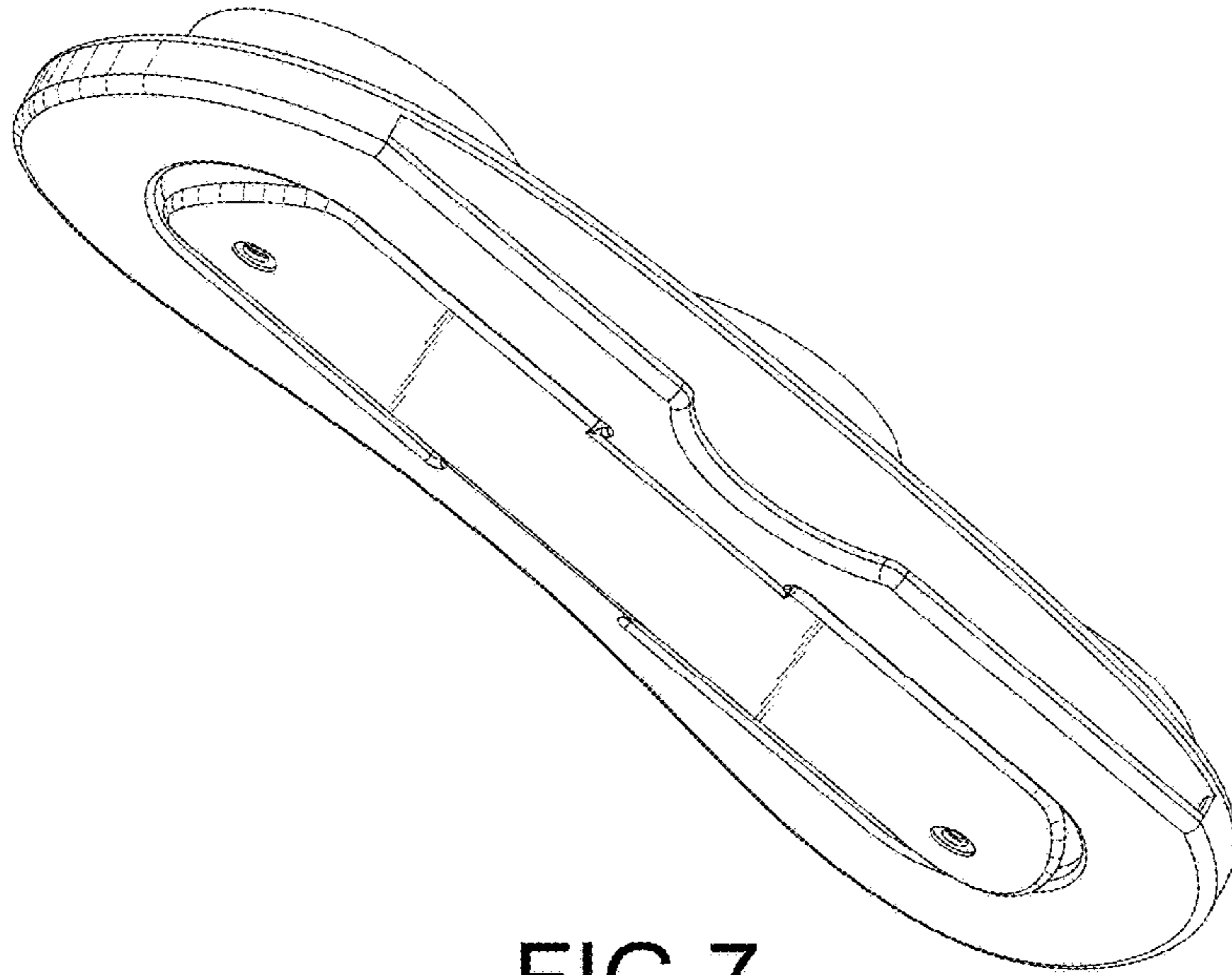


FIG. 7

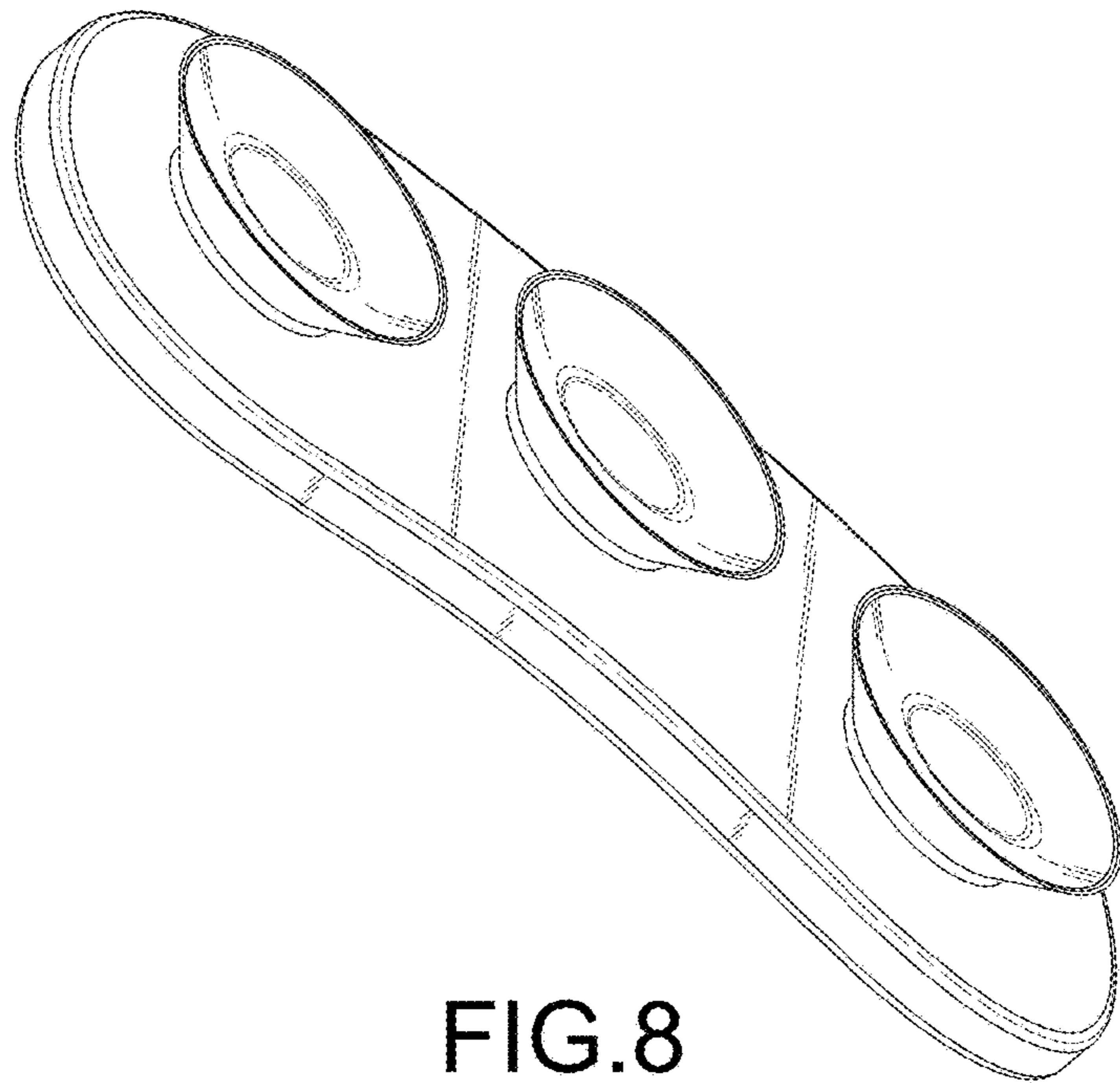


FIG. 8

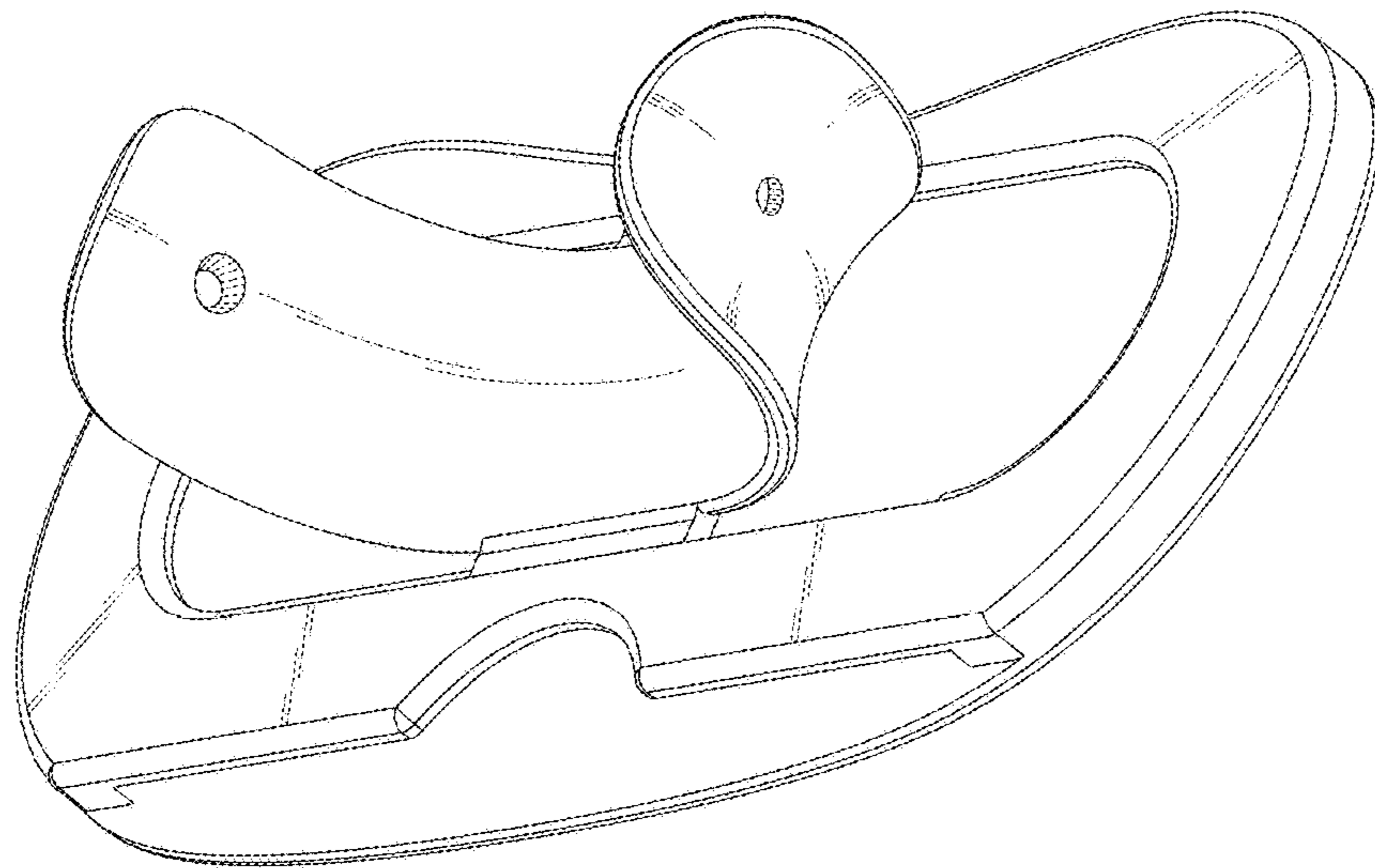


FIG.9