



US00D855311S

(12) **United States Design Patent** (10) **Patent No.:** **US D855,311 S**  
**Bergquist** (45) **Date of Patent:** **\*\* Aug. 6, 2019**

(54) **CARRYING CASE**  
(71) Applicant: **Bart Brian Bergquist**, Milwaukie, OR (US)  
(72) Inventor: **Bart Brian Bergquist**, Milwaukie, OR (US)

922,567 A 5/1909 Cosgrove  
954,825 A 4/1910 Schumacher  
954,840 A 4/1910 Wiedemann  
995,963 A 6/1911 Harriman  
1,084,360 A 1/1914 Rahm  
(Continued)

(\*\*) Term: **15 Years**  
(21) Appl. No.: **29/637,385**

FOREIGN PATENT DOCUMENTS  
FR 695048 A 12/1930  
FR 759958 2/1934  
(Continued)

(22) Filed: **Feb. 16, 2018**  
(51) **LOC (12) Cl.** ..... **03-01**  
(52) **U.S. Cl.**  
USPC ..... **D3/217**  
(58) **Field of Classification Search**  
USPC ..... D3/215-217, 273, 289, 290, 318, 321, D3/322, 323  
CPC .. A45F 3/04; A45F 3/042; A45F 3/047; A45F 3/08; A45F 3/10; A45F 3/14; A45F 4/02; A45F 4/08; A45F 2200/05; A45F 2200/0525; A45C 13/08; A45C 13/083  
See application file for complete search history.

OTHER PUBLICATIONS  
Austin, posted at letrav.com, no posting date available, online, URL:https://www.letrav.com/store/p11/Austin.html (Year: 2018).\*  
(Continued)  
*Primary Examiner* — Anhdao Doan  
*Assistant Examiner* — Mary Shannon Malley  
(74) *Attorney, Agent, or Firm* — Law Office of Karen Dana Oster, LLC

(56) **References Cited**  
U.S. PATENT DOCUMENTS

34,272 A	1/1862	Short
268,932 A	12/1882	Poirier
294,622 A	3/1884	Honinger
340,339 A	4/1886	Marshall
385,429 A	7/1888	Sohner
417,301 A	12/1889	Weldon
424,324 A	3/1890	Marshall
432,607 A	7/1890	Dwyer
447,669 A	3/1891	Dwyer
450,988 A	4/1891	Brown
504,101 A	8/1893	Zbinden
511,690 A	12/1893	Edwards
829,058 A	6/1906	Leavy
922,046 A	5/1909	Royce

(57) **CLAIM**  
The ornamental design for a carrying case, as shown and described.

**DESCRIPTION**

FIG. 1 is a perspective view of the carrying case of my new design;  
FIG. 2 is a front view thereof;  
FIG. 3 is a rear view thereof;  
FIG. 4 is a first side view thereof;  
FIG. 5 is a second side view thereof;  
FIG. 6 is top view thereof; and,  
FIG. 7 is a bottom view thereof.  
The straps of the carrying case are shown with a symbolic break in length. The appearance of any portion of the article between the break lines forms no part of the claimed design.

**1 Claim, 7 Drawing Sheets**



(56)

## References Cited

## U.S. PATENT DOCUMENTS

1,329,429 A	2/1920	Perry	3,549,064 A	12/1970	Wilson
1,370,636 A	3/1921	Dwyer	3,575,327 A	4/1971	Harrison
1,397,161 A	11/1921	Tobias	3,587,795 A	6/1971	Berry et al.
1,491,807 A	4/1924	Mclinn	3,622,056 A	11/1971	Droeger
1,510,815 A	10/1924	Adams	3,696,850 A	10/1972	Rosenblum
1,537,956 A	5/1925	McNally	D227,044 S	5/1973	Camp
1,606,107 A	11/1926	Simms	3,762,345 A	10/1973	Sgariglia
1,636,194 A	7/1927	Mullins	3,786,972 A	1/1974	Alley
1,666,704 A	4/1928	Hunter	D230,327 S	2/1974	Cooperstein
1,705,149 A	3/1929	Brady	3,802,613 A	4/1974	Droeger
1,761,426 A	6/1930	Chute	3,830,348 A	8/1974	Ohyama
1,859,052 A	5/1932	Ritter	3,837,447 A	9/1974	Honan
1,871,549 A	8/1932	Miller	3,902,640 A	9/1975	Geiben
1,914,087 A	6/1933	Gilmore	D237,752 S	11/1975	Bauer
1,920,308 A	8/1933	Hiles	3,933,229 A	1/1976	Pelavin
2,005,791 A	6/1935	Gustave	D238,725 S	2/1976	Zerobuick
2,010,166 A	8/1935	Thompson	3,937,374 A	2/1976	Hine, Jr.
2,023,792 A	12/1935	Sampson	3,938,716 A	2/1976	Jackson et al.
2,063,850 A	12/1936	Nemeth et al.	3,938,718 A	2/1976	Madison
2,078,624 A	4/1937	Wolff et al.	3,957,184 A	5/1976	Shurman
2,086,326 A	7/1937	Goldberg	3,960,300 A	6/1976	Dickler
2,086,895 A	7/1937	Cart	3,963,102 A	6/1976	Carp
2,087,210 A	7/1937	Marbury et al.	3,970,229 A	7/1976	Norinsky
2,105,319 A	1/1938	Hedden et al.	3,989,174 A	11/1976	Norinsky
2,143,062 A	1/1939	Ericson et al.	3,994,372 A	11/1976	Geller et al.
2,154,630 A	4/1939	Marbury et al.	3,995,802 A	12/1976	Johnston
2,164,641 A	7/1939	Davenport	4,018,369 A	4/1977	Jaeger
2,182,879 A	12/1939	Rinehart	4,040,548 A	8/1977	Guglielmo
2,254,578 A	9/1941	O' Brien	4,059,207 A	11/1977	Jackson et al.
2,270,049 A	1/1942	Greenstein	4,066,195 A	1/1978	Dickler
2,298,754 A	10/1942	Davis	D247,460 S	3/1978	Sykes
2,362,807 A	11/1944	Dresner	4,117,874 A	10/1978	Berenguer
2,370,492 A	2/1945	Russell	4,153,146 A	5/1979	Patton et al.
2,390,673 A	12/1945	Wallace	4,182,391 A	1/1980	Kjose
2,421,244 A	5/1947	Daiber	4,194,602 A	3/1980	Allen
2,428,795 A	10/1947	Frazee	4,236,657 A	12/1980	Brunton
2,453,663 A	11/1948	Hinson	4,273,274 A	6/1981	Freistadt
2,493,506 A	1/1950	Schwartzbard	4,334,601 A	6/1982	Davis
D157,266 S	2/1950	Kiernan	D270,586 S	9/1983	Tatnall et al.
2,527,059 A	10/1950	Di Mezza	4,442,960 A	4/1984	Vetter
2,540,165 A	2/1951	Fiel	4,449,655 A	5/1984	Germe
2,551,929 A	5/1951	Collins	D275,622 S	9/1984	Pierce et al.
2,557,280 A	6/1951	Hahn	4,483,469 A	11/1984	Arisland
2,611,519 A	9/1952	Utterstrom	4,491,258 A	1/1985	Jones
2,612,199 A	9/1952	Schocket	4,506,769 A	3/1985	Franco et al.
2,674,288 A	4/1954	Laidlaw	4,513,866 A	4/1985	Thomas
2,797,779 A	7/1957	Davis	D278,949 S	5/1985	Soininen
2,813,602 A	11/1957	MacArthur	4,515,300 A	5/1985	Cohen
2,836,334 A	5/1958	Davis	4,515,493 A	5/1985	Radovich
2,854,775 A	10/1958	Kleckley	D279,144 S	6/1985	Allen
2,887,196 A	5/1959	Davis	4,546,863 A	10/1985	Kaufman
2,943,775 A	7/1960	Mack	4,561,576 A	12/1985	Lowe et al.
2,979,098 A	4/1961	Greaves	4,593,841 A	6/1986	Lange
3,019,869 A	2/1962	Engelhardt	4,609,084 A	9/1986	Thomas
3,019,952 A	2/1962	Brewster	4,662,551 A	5/1987	Dudley et al.
3,033,431 A	5/1962	Henderson et al.	4,756,394 A	7/1988	Cohen
3,052,895 A	9/1962	Lo Vico	4,767,039 A	8/1988	Jacober
3,061,057 A	10/1962	Miller	4,782,874 A	11/1988	Chartier
3,114,486 A	12/1963	Flexman	4,810,102 A	3/1989	Norton
3,122,225 A	2/1964	Ward	4,830,245 A	5/1989	Arakaki
3,139,164 A	6/1964	Koffler	D302,211 S	7/1989	Sears
RE25,826 E	8/1965	Ward	4,856,570 A	8/1989	Rushing et al.
3,233,803 A	2/1966	Gray	4,869,408 A	9/1989	Lutz
3,254,816 A	6/1966	Gray	4,874,340 A	10/1989	Smallwood
3,292,747 A	12/1966	Dawson	4,883,207 A	11/1989	McArthur
3,335,775 A	8/1967	Adams	4,887,751 A	12/1989	Lehman
3,346,155 A	10/1967	Oechsle	4,901,897 A	2/1990	Briggs et al.
3,363,814 A	1/1968	Hall et al.	4,925,070 A	5/1990	Tulgan
3,409,192 A	11/1968	Scott	4,946,292 A	8/1990	Diamond et al.
3,443,671 A	5/1969	Dyke	4,951,816 A	8/1990	Smith
3,454,068 A	7/1969	Goldstein et al.	4,961,522 A	10/1990	Weber
3,530,919 A	9/1970	May	4,979,658 A	12/1990	Baker
3,530,961 A	9/1970	Weissenbach	5,022,574 A	6/1991	Cesari
3,542,170 A	11/1970	Bialo	5,031,733 A	7/1991	Chang
3,543,825 A	12/1970	Dobbs	D319,144 S	8/1991	Goude
			D323,237 S	1/1992	Zoltie
			D323,426 S	1/1992	Mahvi et al.
			5,150,824 A	9/1992	Alvarez et al.
			5,165,111 A	11/1992	Lieberman



(56)

References Cited

U.S. PATENT DOCUMENTS

5,215,318 A	6/1993	Capraro	D605,849 S	12/2009	Mori
5,222,642 A	6/1993	Solarz	D610,797 S	3/2010	Shor et al.
D339,283 S	9/1993	Barros	7,681,769 B2	3/2010	Kramer
D343,513 S	1/1994	DiTizio	D623,857 S	9/2010	Austin
5,361,951 A	11/1994	Chehebar	D625,518 S	10/2010	Edwards
D354,849 S	1/1995	Herman et al.	D634,929 S	3/2011	Bizzell
5,377,887 A	1/1995	Garcia	D638,623 S	5/2011	Chen
5,400,903 A	3/1995	Cooley	D647,302 S	10/2011	Hoang
D358,483 S	5/1995	Cross et al.	8,028,879 B2	10/2011	Amishay
5,415,332 A	5/1995	Kliot	8,123,090 B2	2/2012	Missick
5,425,449 A	6/1995	Boorady	8,146,787 B2	4/2012	Cragg
D359,847 S	7/1995	Callegari	D658,363 S	5/2012	Biddle
D360,182 S	7/1995	Lovett	D660,585 S	5/2012	McDonald et al.
5,431,317 A	7/1995	Kliot	D661,085 S	6/2012	Custer
5,447,261 A	9/1995	Mitomi et al.	D674,183 S	1/2013	Iacchetti
5,456,353 A	10/1995	Challoner et al.	D674,591 S *	1/2013	Hargens ..... D3/217
5,490,619 A	2/1996	Boyar	D690,502 S	10/2013	Bergquist
5,603,573 A	2/1997	Mercier et al.	8,820,596 B1	9/2014	Bergquist
5,647,522 A	7/1997	Routh	D748,918 S *	2/2016	Majeau ..... D3/216
D387,198 S	12/1997	Lehmann et al.	D749,316 S *	2/2016	Lee ..... D3/217
5,692,660 A	12/1997	Stewart	D772,576 S *	11/2016	Wu ..... D3/318
5,706,992 A	1/1998	Moor	D784,685 S *	4/2017	Newson ..... D3/217
5,732,867 A	3/1998	Perkins et al.	9,717,322 B1	8/2017	Bergquist
5,749,503 A	5/1998	Wulf et al.	D802,295 S *	11/2017	Wu ..... D3/217
5,765,733 A	6/1998	Brule	D816,990 S *	5/2018	Naito ..... D3/267
5,797,529 A	8/1998	Lavine	D817,634 S *	5/2018	Fusi ..... D3/217
5,799,851 A	9/1998	Wulf et al.	D821,742 S *	7/2018	Jusic ..... D3/217
5,810,223 A	9/1998	Helm	D826,551 S *	8/2018	Fusi ..... D3/217
5,819,998 A	10/1998	Chehebar	D829,436 S *	10/2018	Benzon ..... D3/217
5,826,770 A	10/1998	Chuang	2002/0040493 A1	4/2002	Wooley et al.
5,881,932 A	3/1999	Wadden	2002/0113102 A1	8/2002	Klamm
5,887,770 A	3/1999	Covell	2002/0145018 A1	10/2002	Godshaw et al.
5,887,777 A	3/1999	Myles et al.	2002/0162718 A1	11/2002	Wu
5,908,147 A	6/1999	Chuang	2003/0006258 A1	1/2003	Flynn
5,927,581 A	7/1999	Reddy et al.	2003/0015559 A1	1/2003	Oh
D412,787 S	8/1999	Young	2003/0042277 A1	3/2003	Gulmatico
5,964,384 A	10/1999	Young	2003/0057239 A1	3/2003	Godshaw
D420,792 S	2/2000	Sakelliou et al.	2003/0124948 A1	7/2003	Ostolaza
6,029,723 A	2/2000	Baquero et al.	2003/0205593 A1	11/2003	Lavelle
D425,474 S	5/2000	Bergh	2004/0065708 A1	4/2004	Amram
6,112,959 A	9/2000	Townsend	2004/0094583 A1	5/2004	Bernbaum et al.
6,129,254 A	10/2000	Yu	2004/0163913 A1	8/2004	Tschudy
6,134,712 A	10/2000	Spector	2004/0206791 A1	10/2004	Rogers
6,152,338 A	11/2000	Smith	2005/0000993 A1	1/2005	Moskun
D435,343 S	12/2000	Eskandry	2005/0023309 A1	2/2005	Haugland
6,161,738 A	12/2000	Norris	2005/0056668 A1	3/2005	Aris et al.
6,164,509 A	12/2000	Gausling et al.	2005/0056669 A1	3/2005	Lavelle
6,174,082 B1	1/2001	Pelky et al.	2005/0072642 A1	4/2005	Sanchez
6,179,175 B1	1/2001	Painter	2005/0090179 A1	4/2005	Carruth
6,193,118 B1	2/2001	Kearl	2005/0092802 A1	5/2005	Maley
D441,190 S	5/2001	Eskandry	2005/0103817 A1	5/2005	Glankler
6,230,771 B1	5/2001	Hellenbrand	2005/0173034 A1	8/2005	Antrobus
D446,009 S	8/2001	Mandell	2005/0194413 A1	9/2005	Baker
6,305,587 B1	10/2001	Miller	2005/0258294 A1	11/2005	Dickson
6,336,577 B1	1/2002	Harris et al.	2006/0105137 A1	5/2006	Kouts
6,394,328 B1	5/2002	Zakarin	2006/0119057 A1	6/2006	Russo
6,530,507 B2	3/2003	Oh	2007/0125815 A1	6/2007	Tong
D472,371 S	4/2003	Pomare	2007/0199966 A1	8/2007	Korchmar
6,592,012 B2	7/2003	Godshaw et al.	2008/0011567 A1	1/2008	Hammond
6,595,334 B1	7/2003	Saetia	2008/0054031 A1	4/2008	Headley
6,601,743 B2	8/2003	Godshaw	2008/0116026 A1	5/2008	Bass et al.
D482,865 S	12/2003	Fair	2009/0071783 A1	3/2009	Nykoluk
6,655,565 B2	12/2003	Godshaw et al.	2009/0127299 A1	5/2009	Jamlang
D485,432 S	1/2004	Desrochers	2009/0127307 A1	5/2009	Austwick et al.
D498,585 S	11/2004	Darling	2009/0173763 A1	7/2009	Bridgeman
D511,620 S	11/2005	Van Himbeec	2009/0184543 A1	7/2009	Blanarik
6,968,880 B2	11/2005	Battaglia et al.	2009/0201671 A1	8/2009	Huntley
6,994,193 B2	2/2006	Saetia	2010/0006613 A1	1/2010	Burns
D518,956 S	4/2006	Van Himbeec	2010/0072235 A1	3/2010	Barton et al.
7,086,437 B1	8/2006	Michael	2010/0108726 A1	5/2010	Hilgenberg
D529,717 S	10/2006	Brancky	2010/0111448 A1	5/2010	Li
D544,708 S	6/2007	Barker	2010/0127024 A1	5/2010	Cortes
D545,056 S	6/2007	Leighton	2010/0127025 A1	5/2010	Kelling
7,395,930 B2	7/2008	Tauchen	2010/0147918 A1	6/2010	Hensley et al.
7,593,222 B2	9/2009	Zbikowski	2010/0200632 A1	8/2010	Lee
			2010/0205718 A1	8/2010	Eastep
			2010/0219221 A1	9/2010	Zheng
			2010/0243692 A1	9/2010	Sabbah
			2010/0282809 A1	11/2010	Scicluna

(56)

**References Cited**

## U.S. PATENT DOCUMENTS

2010/0284631 A1 11/2010 Lee  
2010/0320248 A1 12/2010 Uimonen  
2012/0018477 A1 1/2012 Inouye  
2012/0111912 A1 5/2012 Zheng  
2012/0240521 A1 9/2012 Johnson  
2017/0049201 A1\* 2/2017 Moreau ..... A45C 13/103

## FOREIGN PATENT DOCUMENTS

FR 983806 6/1951  
FR 1102369 10/1955  
GB 188146 9/1921  
GB 424204 2/1935  
GB 1099200 1/1968  
JP 1514098 11/2014  
KR 30-0843469 3/2016

## OTHER PUBLICATIONS

Austin Convertible Bag: The Best Backpack & Briefcase—Now on IndieGogo (Also for Vegans), posted at youtube.com, posted Jun. 8, 2018, online, URL:<https://www.youtube.com/watch?v=jqrmWz0Xleg> (Year: 2018).\*

Tumi, Inc., “Dror Brief,” © MMXII Tumi, Inc., at least as early as Oct. 1, 2012, 2 pages, <http://m.tumi.com/product/index.%20isp?productId=12559544>.

Machine Translation of 30-0843469 (using Google translate), “KR-30-0843469” (dated Mar. 15, 2016), Korea, translation performed on Jan. 8, 2019, 6 pages.

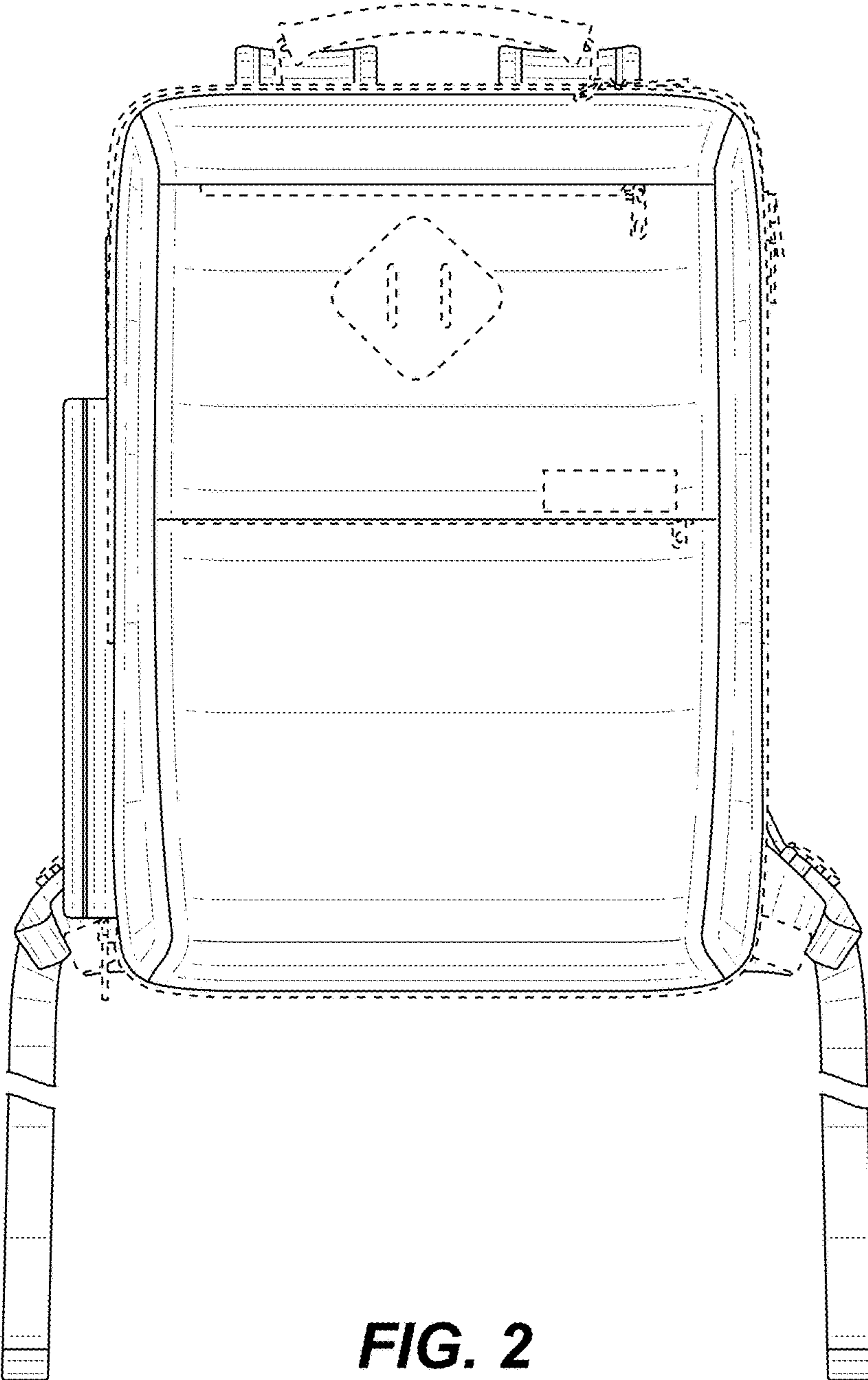
Machine Translation of JP1514098 (using Google translate), “JP1514098” (dated Nov. 21, 2014), Japan, translation performed on Jan. 8, 2019, 5 pages.

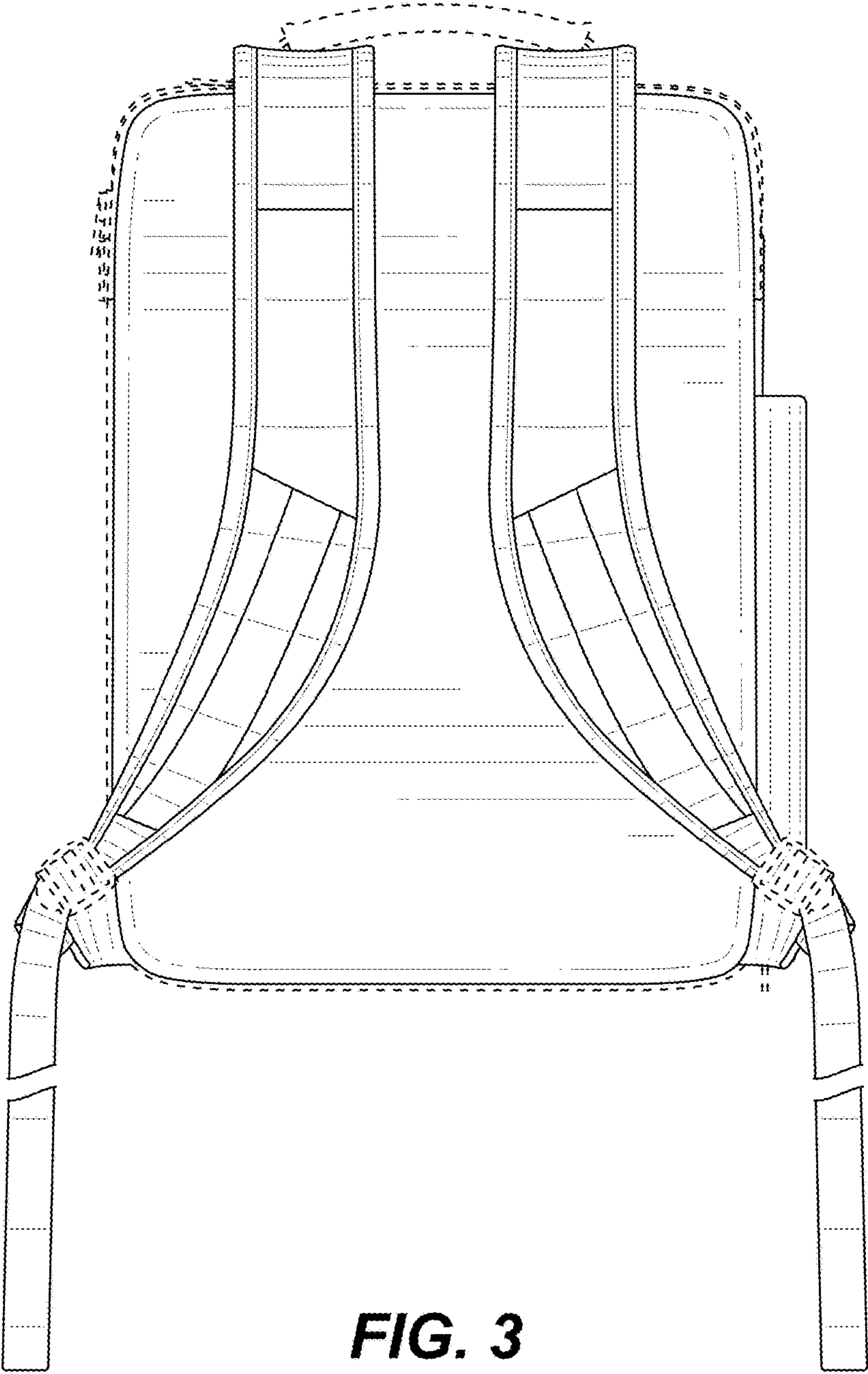
\* cited by examiner



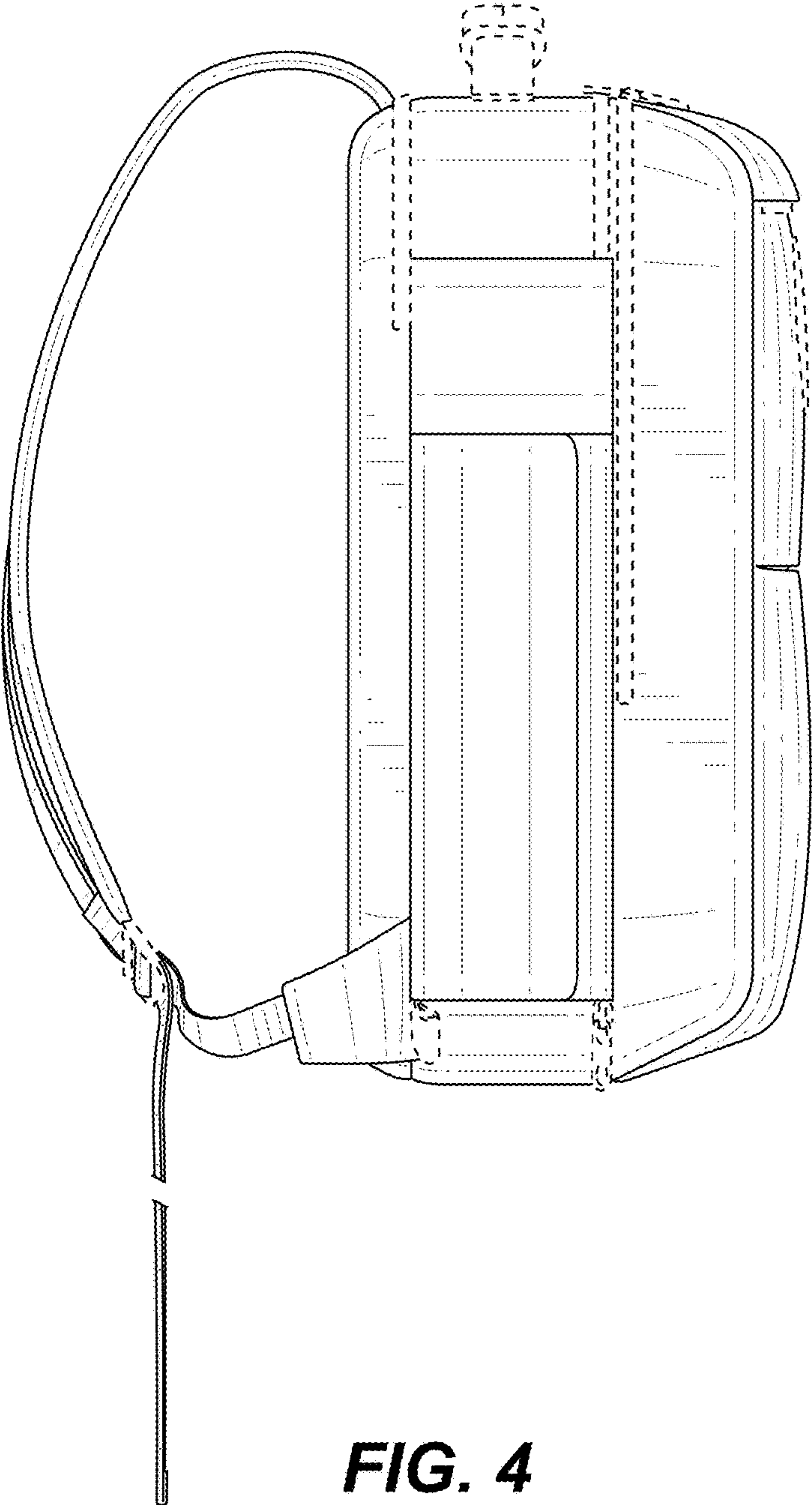
**FIG. 1**





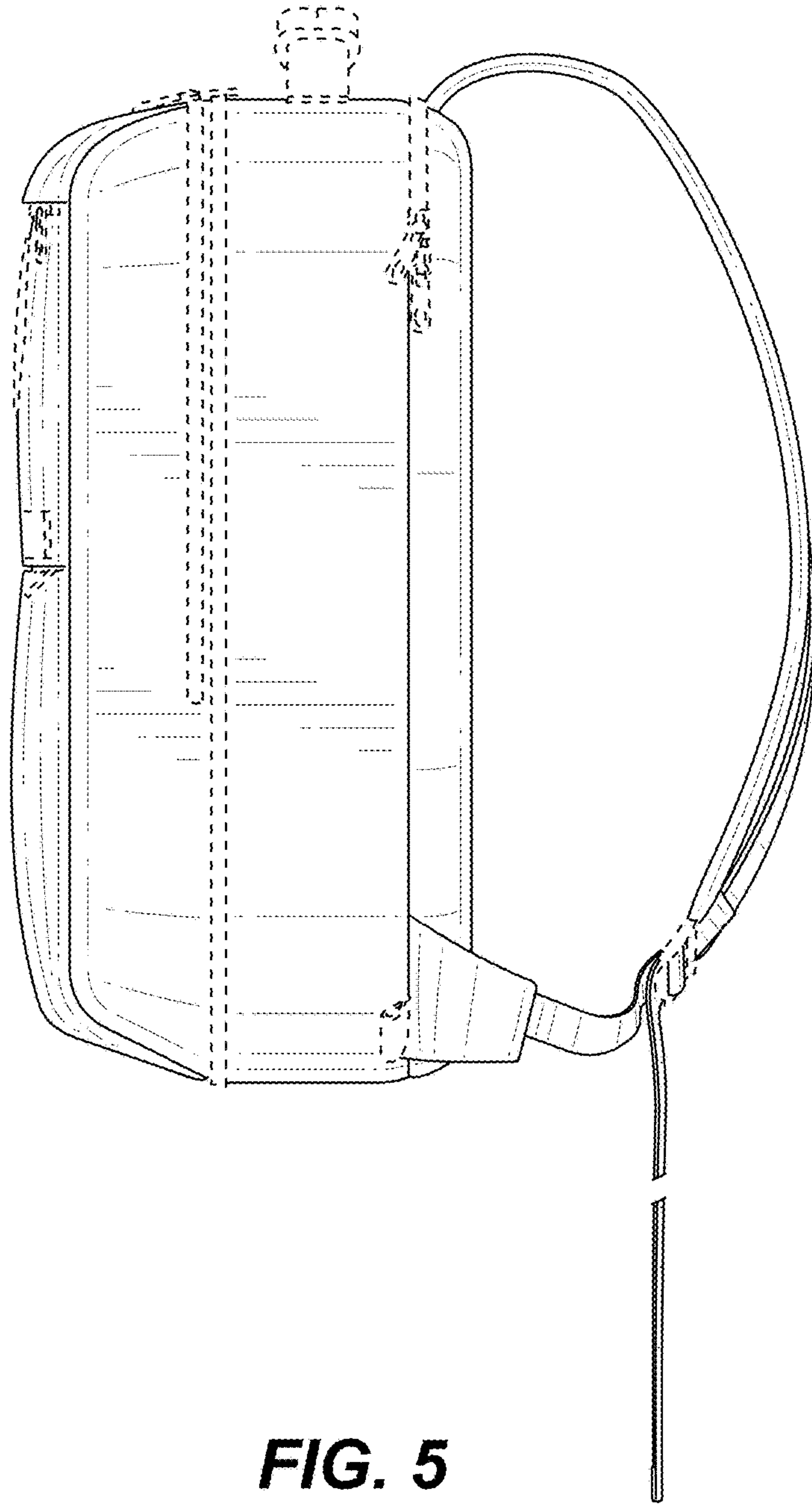


**FIG. 3**



**FIG. 4**





**FIG. 5**

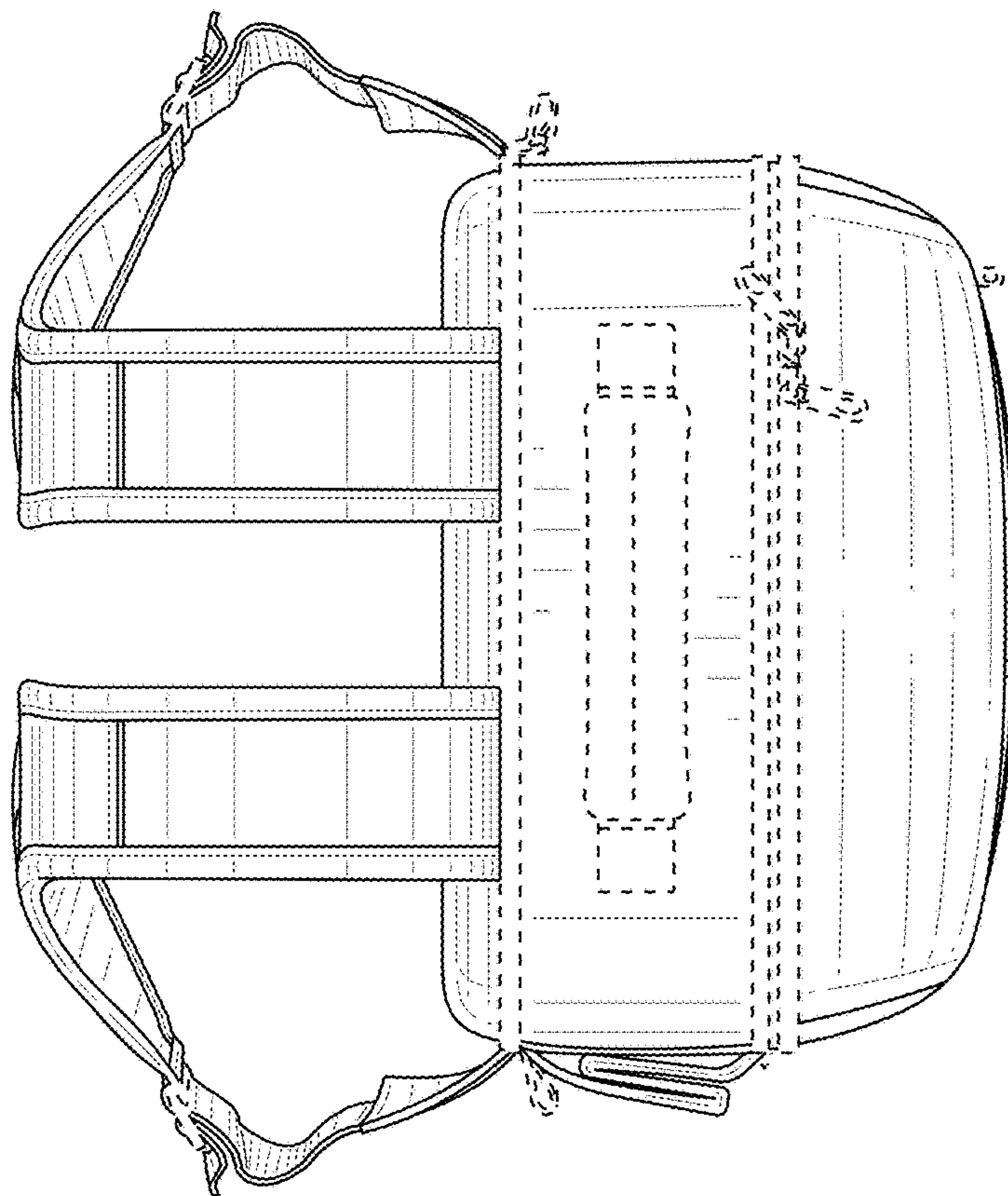
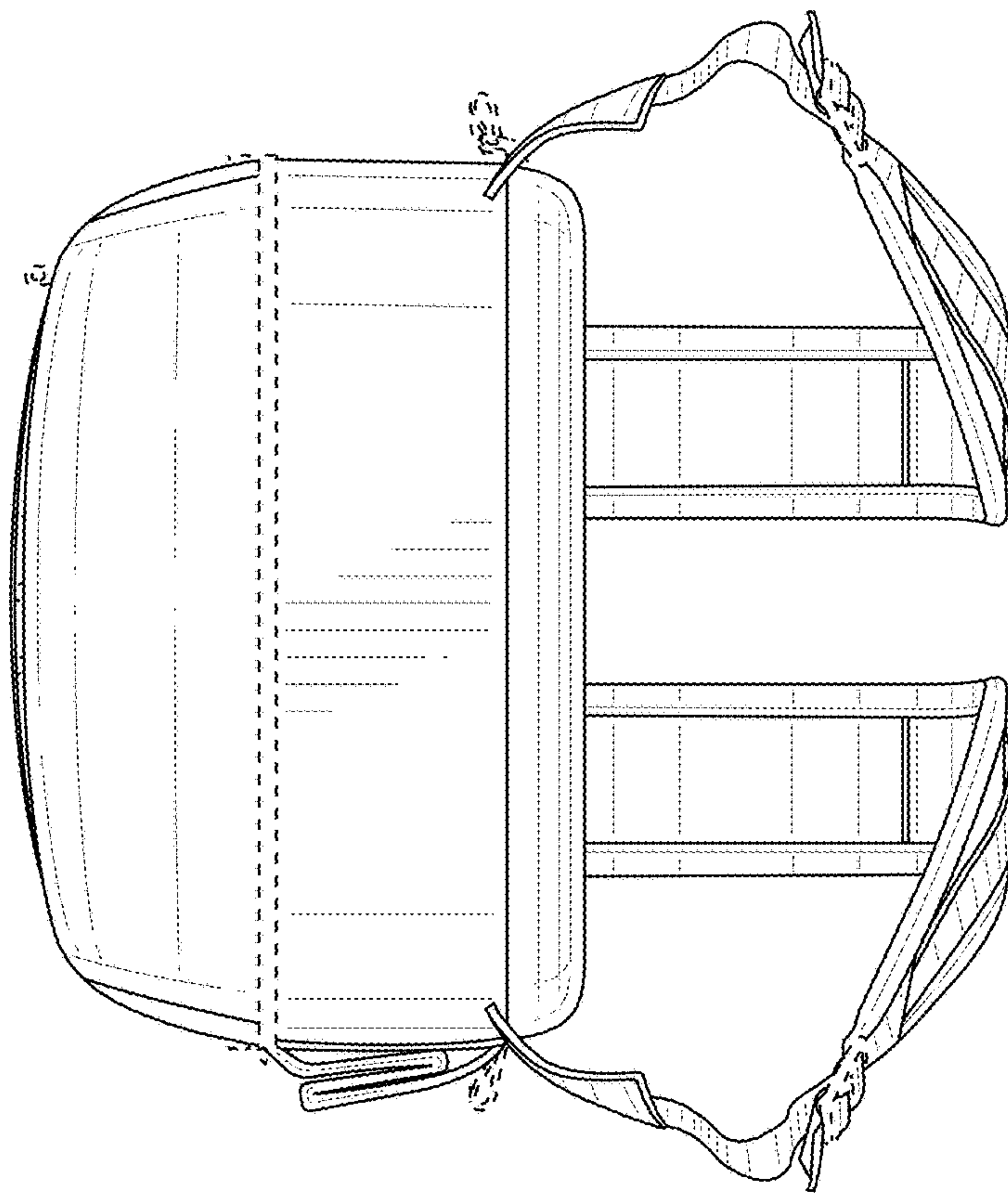


FIG. 6



**FIG. 7**