



US00D855308S

(12) **United States Design Patent** (10) **Patent No.:** **US D855,308 S**
Reynolds et al. (45) **Date of Patent:** **** Aug. 6, 2019**

(54) **TRAVEL MEDICAMENT BAG**
(71) Applicant: **Noble International, Inc.**, Orlando, FL (US)
(72) Inventors: **Joe Reynolds**, Orlando, FL (US); **Tingting Liu**, Orlando, FL (US); **Matthew Palyo**, Orlando, FL (US)
(73) Assignee: **Noble International, Inc.**, Orlando, FL (US)
(**) Term: **15 Years**
(21) Appl. No.: **29/613,098**
(22) Filed: **Aug. 7, 2017**
(51) **LOC (12) Cl.** **03-01**
(52) **U.S. Cl.**
USPC **D3/203.1**
(58) **Field of Classification Search**
USPC D3/201, 203.1, 203.5, 203.6, 205, 242, D3/252, 301, 303
CPC ... A45C 11/00; A45C 2011/007; A45D 44/18; A45D 2200/25; A45F 2003/003
See application file for complete search history.

D446,937 S * 8/2001 Mogil A45C 7/0077 D3/273
D451,279 S * 12/2001 Chin D3/301
D455,005 S * 4/2002 Wolf D3/205
D461,046 S * 8/2002 Cohen D3/205
(Continued)

OTHER PUBLICATIONS

Reynolds, J., Humira travel asset—data analysis and research, “GoNoble”, pp. 1-66 (2016).
(Continued)

Primary Examiner — John Windmuller
Assistant Examiner — Steven J Czyz
(74) *Attorney, Agent, or Firm* — Timothy H. Van Dyke; Beusse, Wolter, Sanks & Maire PLLC

(57) **CLAIM**

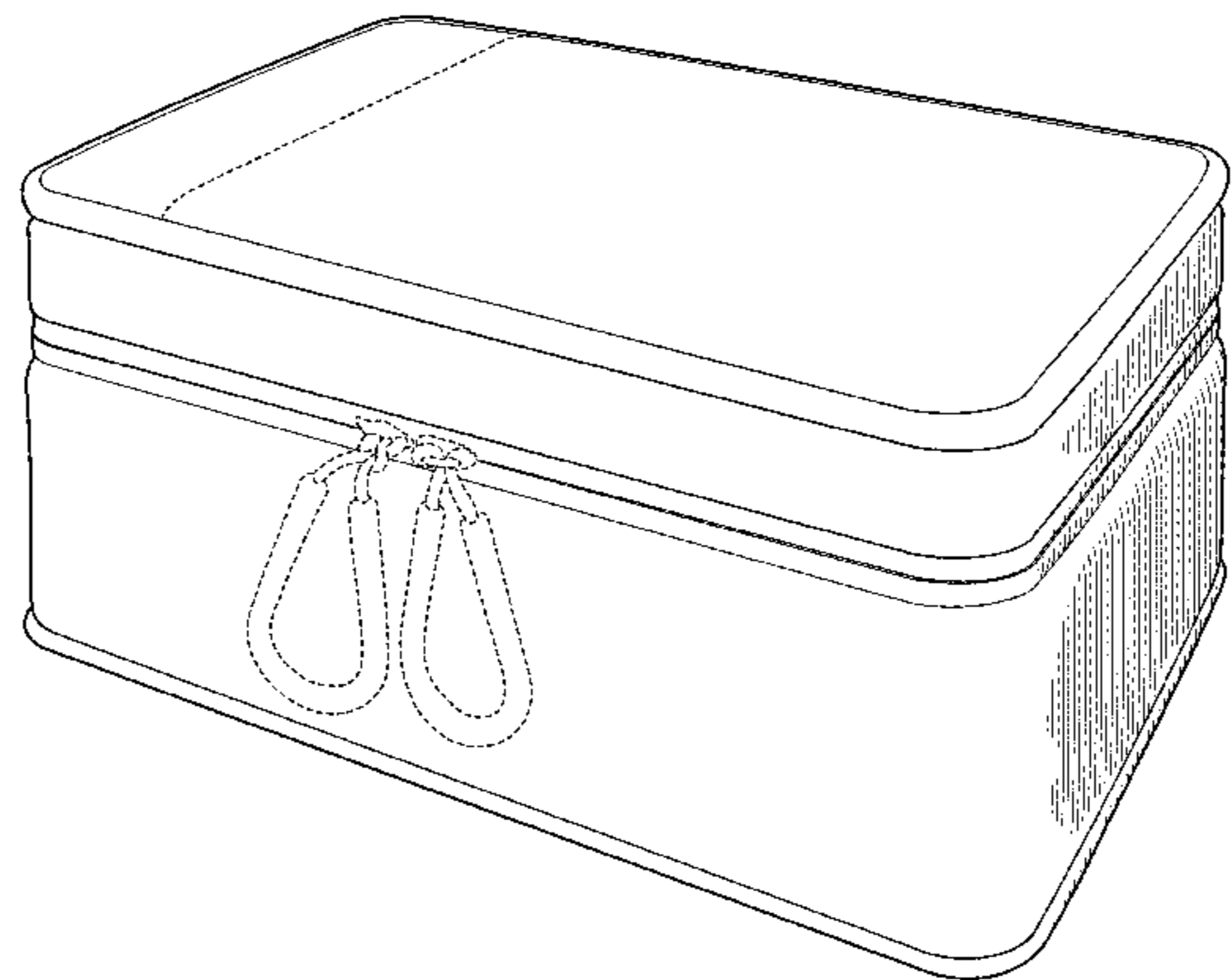
The ornamental design for a travel medicament bag, as shown and described.

DESCRIPTION

FIG. 1 is a front right perspective view of a travel medicament bag;
FIG. 2 is a front right perspective view of the travel medicament bag shown in a first open configuration;
FIG. 3 is a front left perspective view of the travel medicament bag shown in a second open configuration;
FIG. 4 is front perspective view of the travel medicament bag shown in a third open configuration;
FIG. 5 is a top plan view of the travel medicament bag;
FIG. 6 is front elevation view thereof;
FIG. 7 is a rear elevation view thereof;
FIG. 8 is a left side elevation view thereof, with the right side elevation view being a mirror image thereof; and,
FIG. 9 is a bottom plan view thereof.
The broken lines depict portions of the article that form no part of the claimed design.

1 Claim, 9 Drawing Sheets

(56) **References Cited**
U.S. PATENT DOCUMENTS
2,597,194 A * 5/1952 Sholl A45C 11/008 190/111
D280,864 S * 10/1985 Allen D3/283
D370,123 S * 5/1996 Klinger D3/231
D377,861 S * 2/1997 Jacober D3/203.1
D378,709 S * 4/1997 Jacobs D3/233
D386,300 S * 11/1997 Kopel D3/217
D394,552 S * 5/1998 Melk D3/287
D403,157 S * 12/1998 Liu D3/290
D418,287 S * 1/2000 Moor D3/201
6,047,752 A * 4/2000 Southwick A45C 3/00 150/112
D425,295 S * 5/2000 Borja D3/203.1
D428,700 S * 8/2000 Hillman D3/201



(56)

References Cited

U.S. PATENT DOCUMENTS

D473,051 S * 4/2003 Hassett D3/263
 D476,480 S * 7/2003 Hillman D3/263
 D494,360 S * 8/2004 Ostermann D3/205
 D507,875 S * 8/2005 Hillman D3/267
 D516,306 S * 3/2006 Koenig D3/233
 7,162,890 B2 * 1/2007 Mogil A45C 11/20
 62/457.7
 D546,552 S * 7/2007 Dawson D3/203.1
 D557,892 S * 12/2007 Greiner D3/205
 D562,545 S * 2/2008 Dawson D3/203.1
 D565,837 S * 4/2008 Miles D3/203.1
 D576,785 S * 9/2008 TerMeer D3/201
 D588,798 S * 3/2009 Combs, Jr. D3/203.1
 D593,317 S * 6/2009 Yao D3/203.6
 D595,503 S * 7/2009 Guy D3/205
 D600,440 S * 9/2009 Gaikwad D3/203.1
 7,669,436 B2 * 3/2010 Mogil A45C 11/20
 62/457.7
 D617,546 S * 6/2010 Foster D3/203.1
 D621,152 S * 8/2010 Lebow D3/203.1
 D657,125 S * 4/2012 Gold D3/203.1
 D663,944 S * 7/2012 Bouskill D3/203.1
 D663,945 S * 7/2012 Bouskill D3/203.1
 D665,570 S * 8/2012 Shrewsbury D3/201

D723,263 S * 3/2015 Zhuang D3/203.1
 D723,267 S * 3/2015 Basha D3/232
 D723,804 S * 3/2015 Coleman D3/301
 D739,142 S * 9/2015 Coleman D3/285
 D739,655 S * 9/2015 Coleman D3/285
 D777,429 S * 1/2017 Mangano D3/275
 D778,609 S * 2/2017 Gardner D3/301
 D779,208 S * 2/2017 Parker D3/301
 D790,211 S * 6/2017 Constantini D3/205

OTHER PUBLICATIONS

Actemra, <https://www.actemrahcp.com/ra/education-training.html>.
 Cimzia, <https://www.structuralgraphics.com/work/cimzia-patient-starter-kit>.
 Cosentyx, <https://www.cosentyx.com/psoriatic-arthritis/start.jsp>.
 Enbrel, <https://www.enbrel.com/support/enbrel-support-program>.
 Humira, <https://www.humira.com/humira-complete/sign-up/travel-case>.
 Orencia, <https://www.orencia.bmscustomerconnect.com/orencia-patient-assistance>.
 Praluent, <https://www.praluent.com/patient-support>.
 Simponi, <https://www.simponi.com/rheumatoid-arthritis/simponi-dosing/patient-resources>.

* cited by examiner

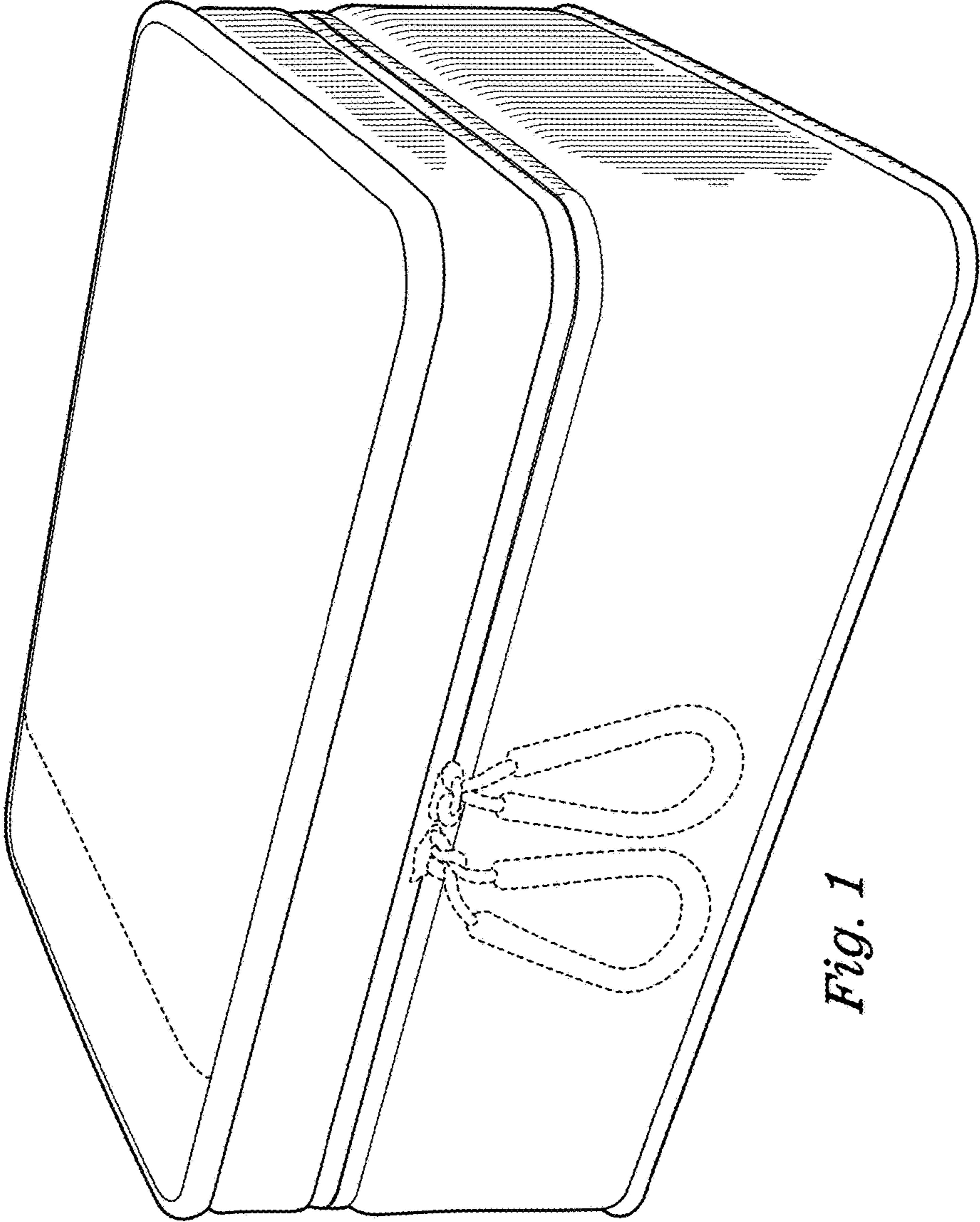


Fig. 1

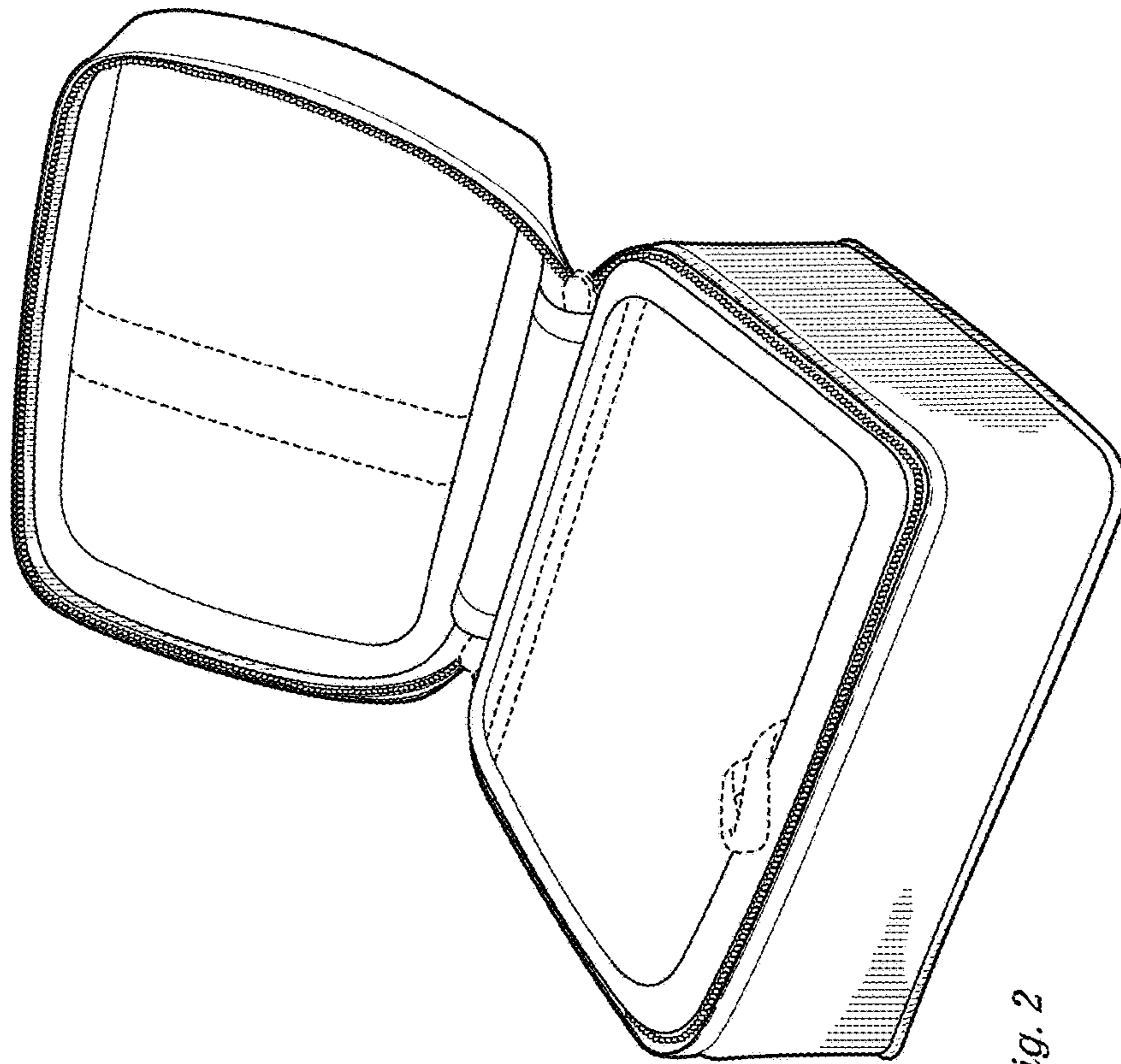


Fig. 2

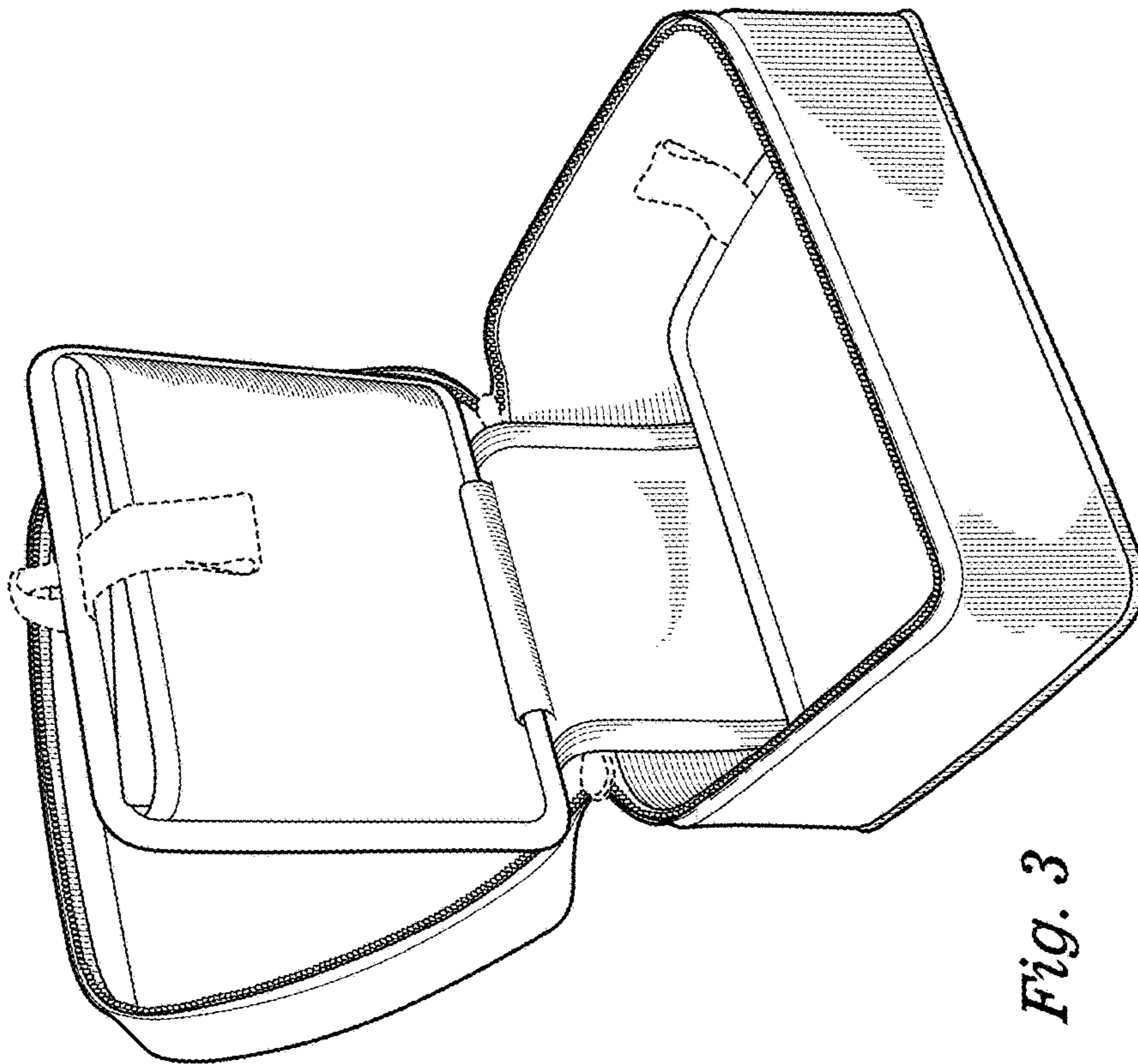


Fig. 3

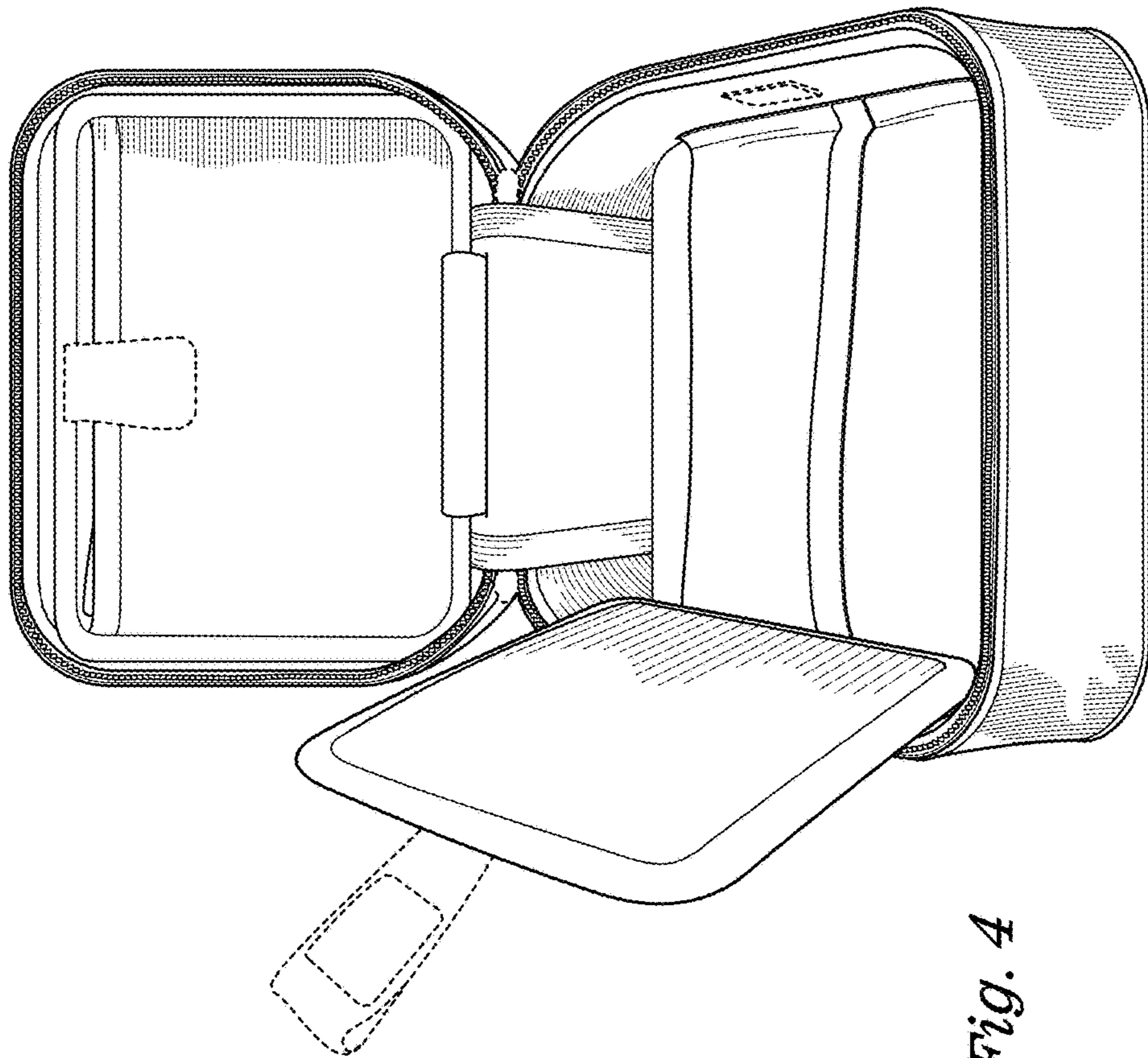


Fig. 4

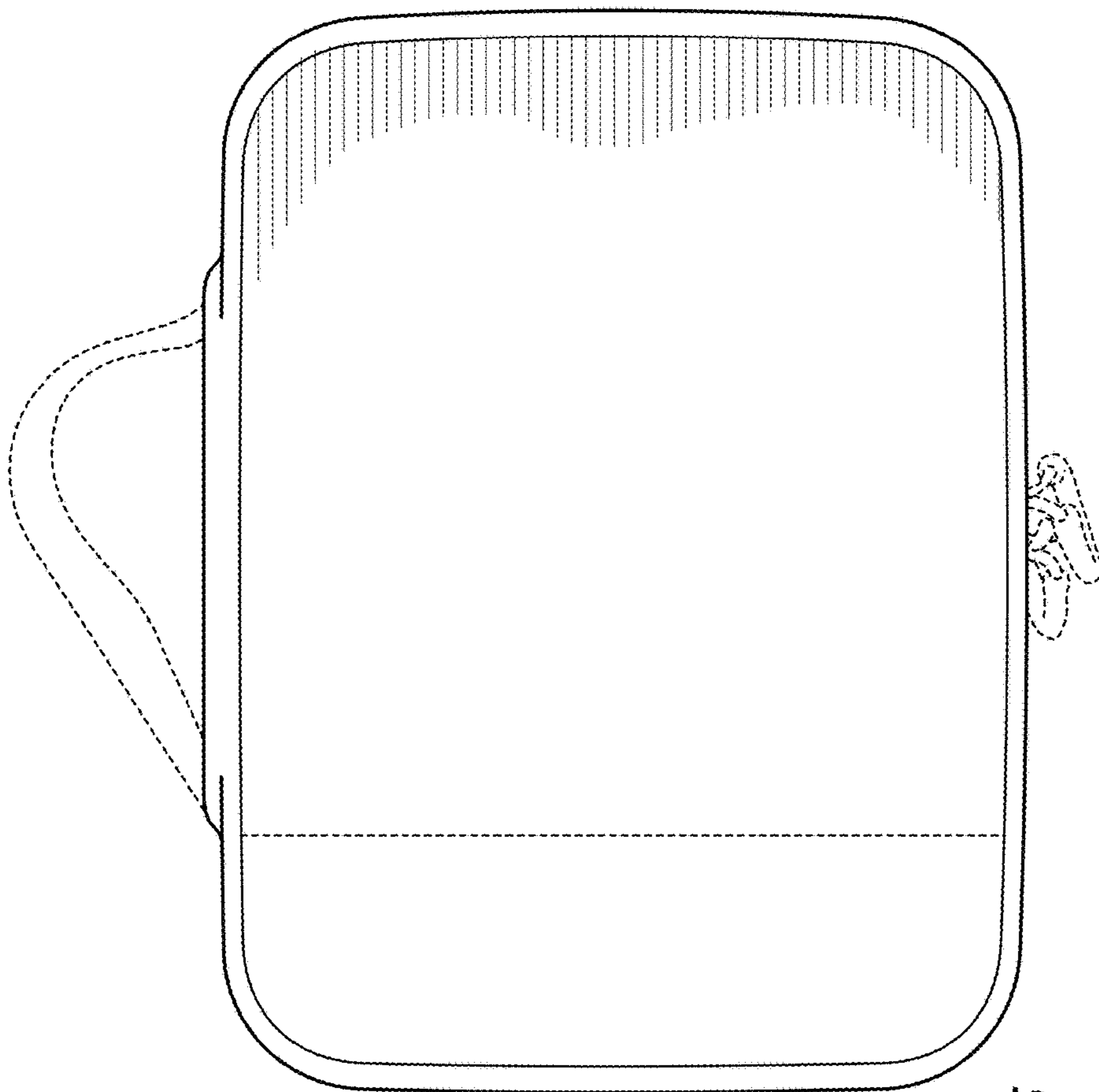


Fig. 5

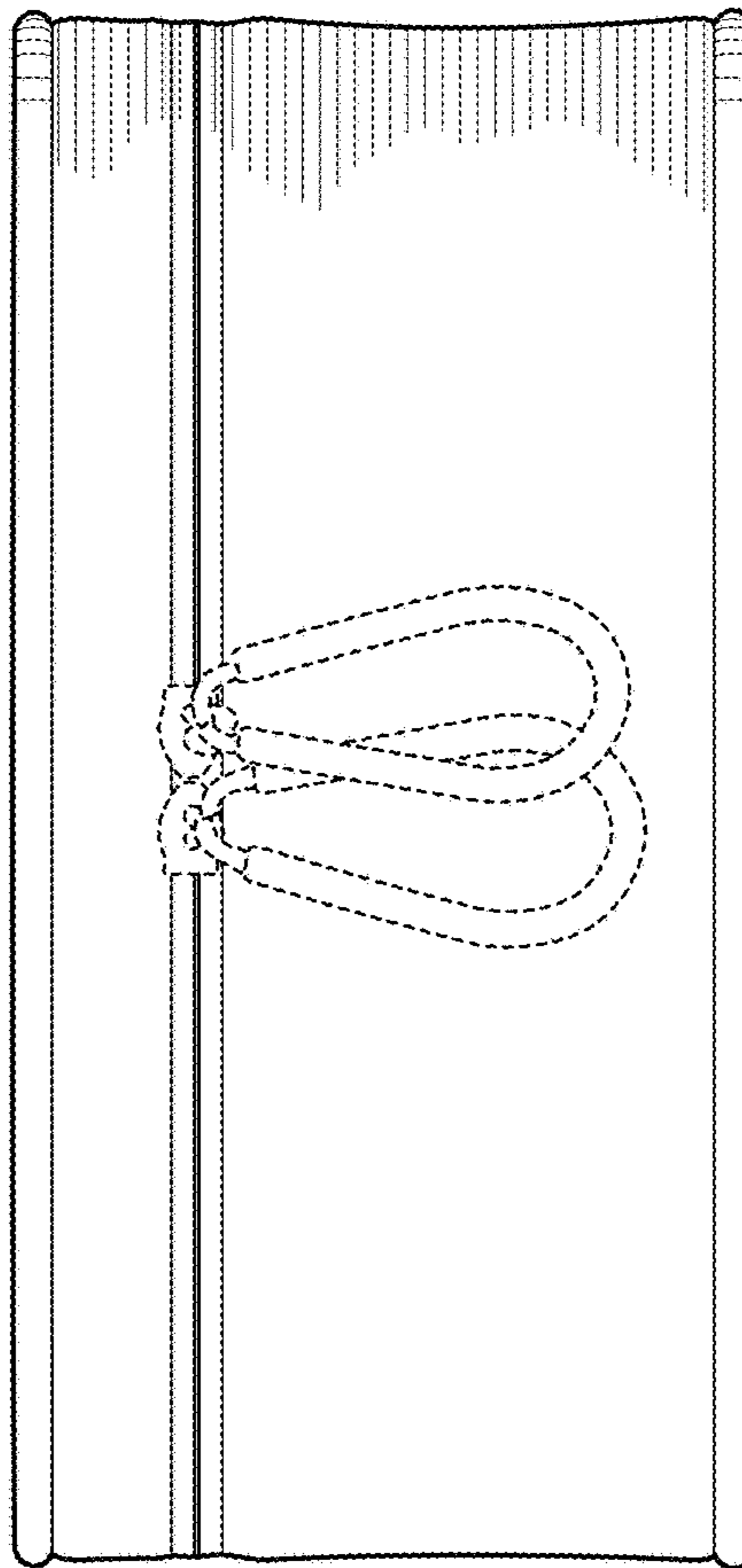


Fig. 6

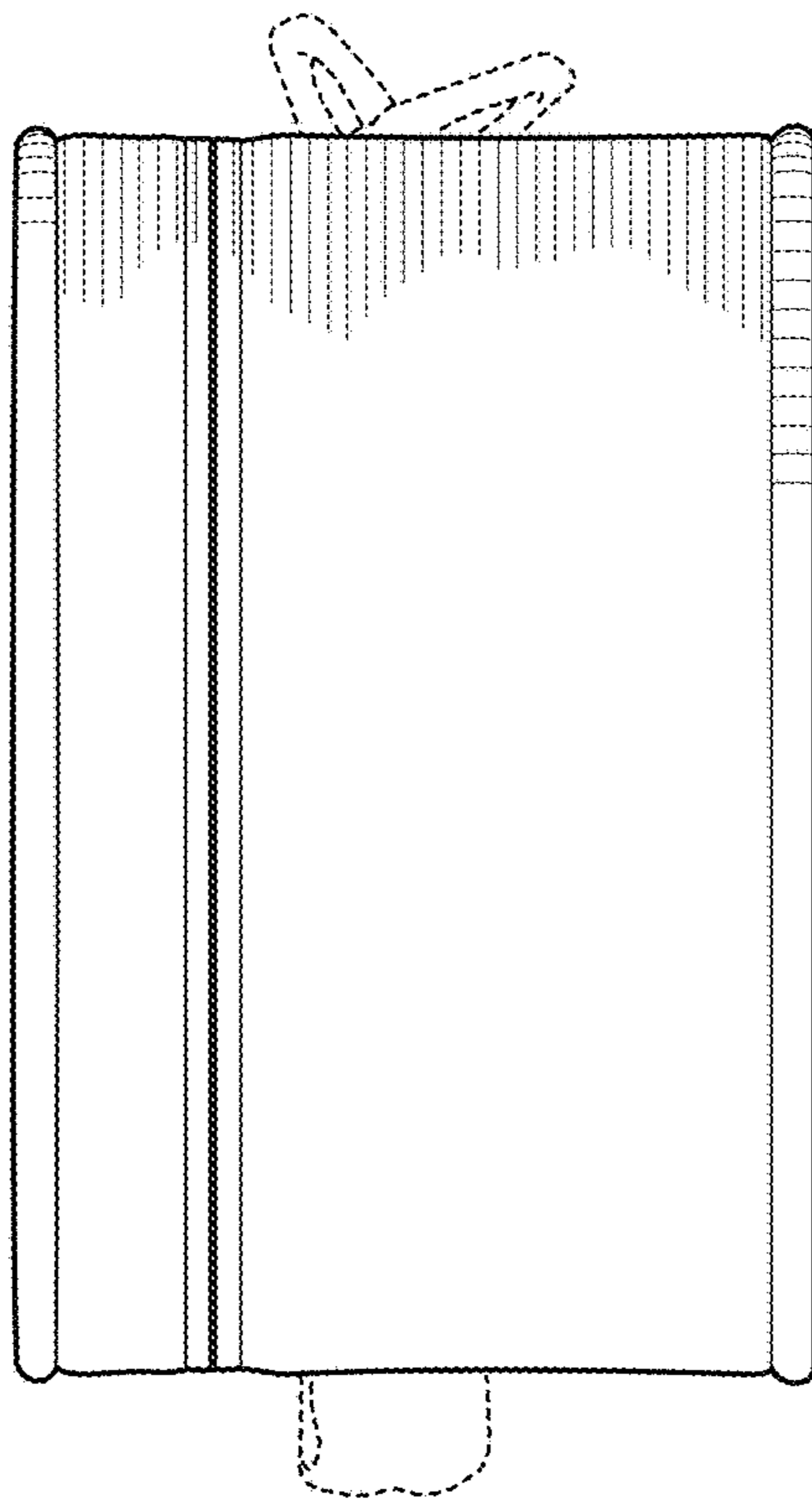


Fig. 7

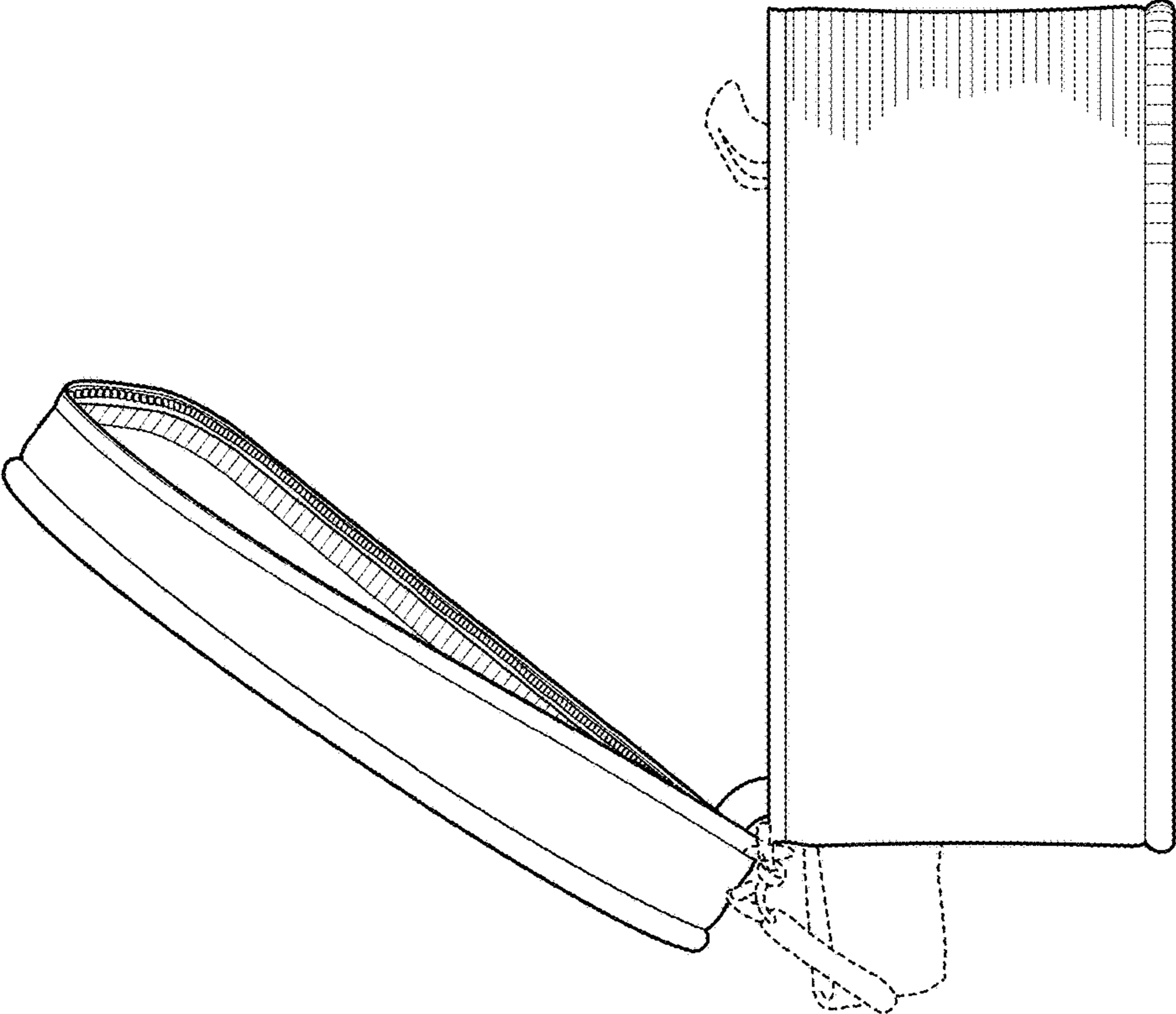


Fig. 8

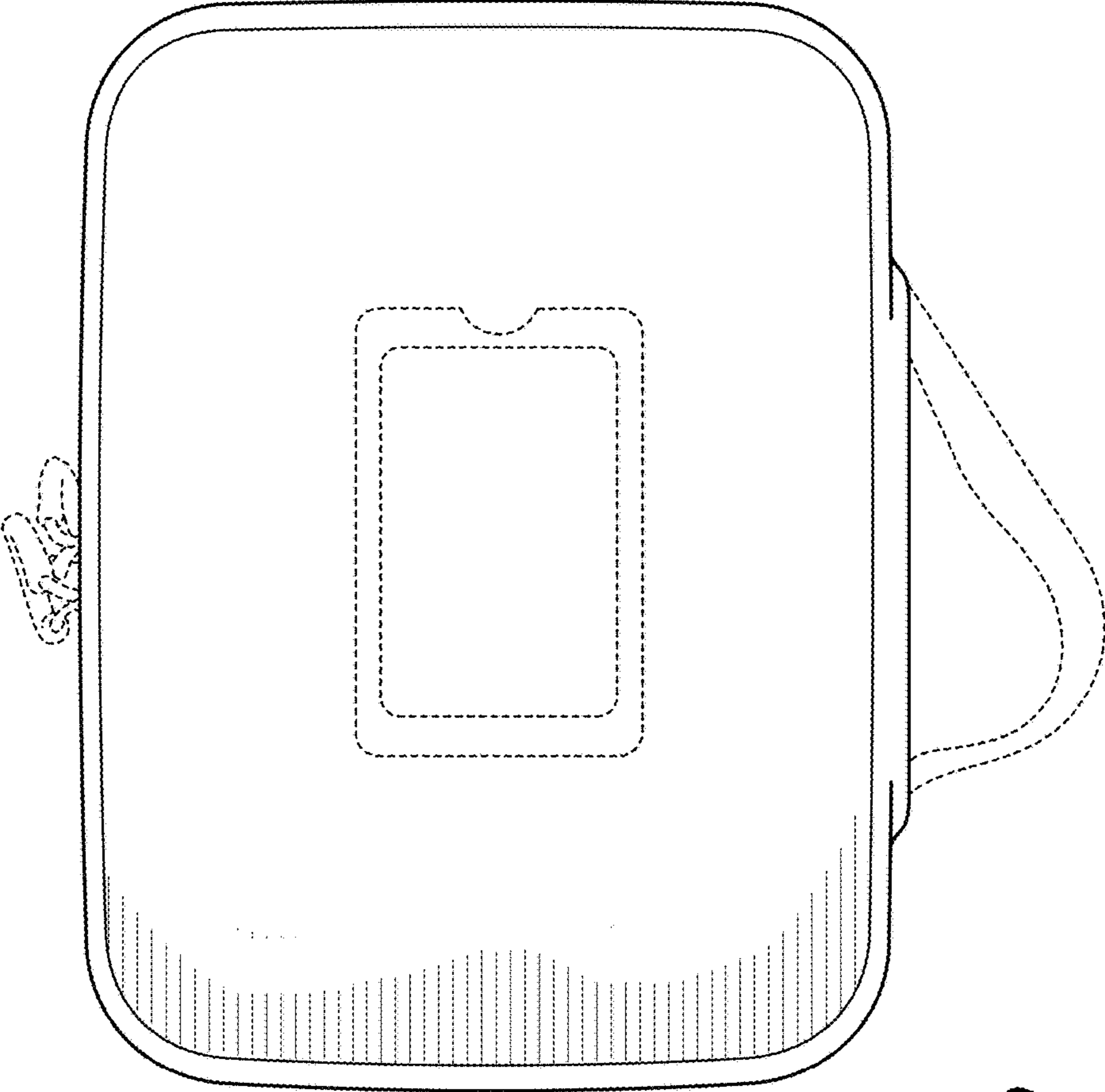


Fig. 9