



US00D855292S

(12) **United States Design Patent** (10) **Patent No.:** **US D855,292 S**  
**Robinson et al.** (45) **Date of Patent:** **\*\* Aug. 6, 2019**

(54) **CAP**

(71) Applicants: **Jasmin Robinson**, Atlanta, GA (US);  
**Danielle Jones**, Atlanta, GA (US)

(72) Inventors: **Jasmin Robinson**, Atlanta, GA (US);  
**Danielle Jones**, Atlanta, GA (US)

(\*\*) Term: **15 Years**

(21) Appl. No.: **29/627,798**

(22) Filed: **Nov. 29, 2017**

(51) **LOC (12) Cl.** ..... **02-03**

(52) **U.S. Cl.**  
USPC ..... **D2/866**

(58) **Field of Classification Search**  
USPC ..... D2/865, 866, 869, 870, 872, 873, 874,  
D2/878, 879, 880, 881, 882, 883, 884,  
D2/885, 886, 891, 895  
CPC .. A42B 1/00; A42B 1/004; A42B 1/02; A42B  
1/04; A42B 1/045; A42B 1/22; A42B  
1/248; A42B 7/00; A42C 5/00  
See application file for complete search history.

(56) **References Cited**

**U.S. PATENT DOCUMENTS**

1,775,185	A *	9/1930	Aldrich	.....	A42B 1/02 2/171.01
D114,625	S *	5/1939	Rothenberg	.....	D2/873
2,289,370	A *	7/1942	Krag	.....	A42B 1/02 2/171.01
D135,321	S *	3/1943	Harpignies	.....	2/195.1
2,629,874	A	3/1953	La Maida		
D389,513	S *	1/1998	Bell	.....	D19/6
9,241,526	B2 *	1/2016	Goldberg	.....	A42B 1/248
D762,349	S *	8/2016	Frazer	.....	D2/866
10,034,509	B2 *	7/2018	Pruett	.....	A42B 1/24
2007/0033705	A1 *	2/2007	Dickson	.....	A42B 1/02 2/175.6
2016/0174646	A1 *	6/2016	Burns	.....	A42B 1/004 2/171.01

**OTHER PUBLICATIONS**

Eileen Lim, The Day Dreamprincess Grad Cap Keeps Falling Off Sew on Stick on a Headband (2014), <http://thedaydreamprincess.tumblr.com/post/85844887786/grad-cap-keeps-falling-off-sew-on-a> (last visited Jan. 25, 2018).

\* cited by examiner

*Primary Examiner* — Karen S Acker

*Assistant Examiner* — Jasmine Mlinarcik

(74) *Attorney, Agent, or Firm* — Troutman Sanders LLP

(57) **CLAIM**

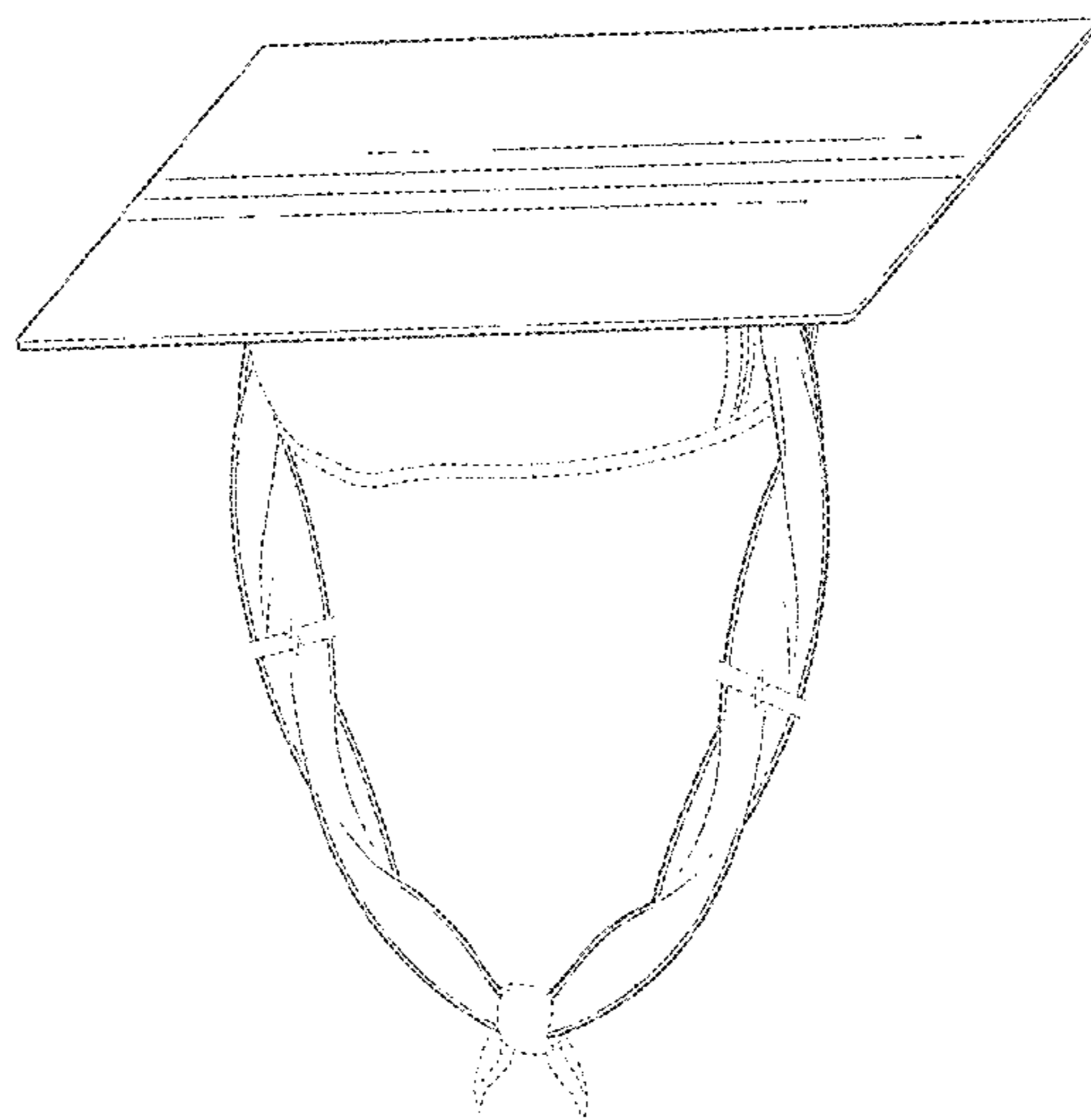
We claim the ornamental design for a cap, as shown and described.

**DESCRIPTION**

FIG. 1 is an upper perspective view of the cap; FIG. 2 is a front plan view of the cap shown in FIG. 1; FIG. 3 is a rear plan view of the cap shown in FIG. 1; FIG. 4 is a left side view of the cap shown in FIG. 1; FIG. 5 is a right side view of the cap shown in FIG. 1; FIG. 6 is a top plan view of the cap shown in FIG. 1; FIG. 7 is a bottom plan view of the cap shown in FIG. 1; and, FIG. 8 is a lower perspective view of the cap shown in FIG. 1.

The dashed broken line showing of the cap illustrates the environment of the claimed design and forms no part thereof. The dashed break lines indicate that any portion of the article beyond what is shown forms no part of the claimed design. The long-dash short-dash broken lines indicate boundary lines of the claim and forms no part of the claimed design.

**1 Claim, 7 Drawing Sheets**



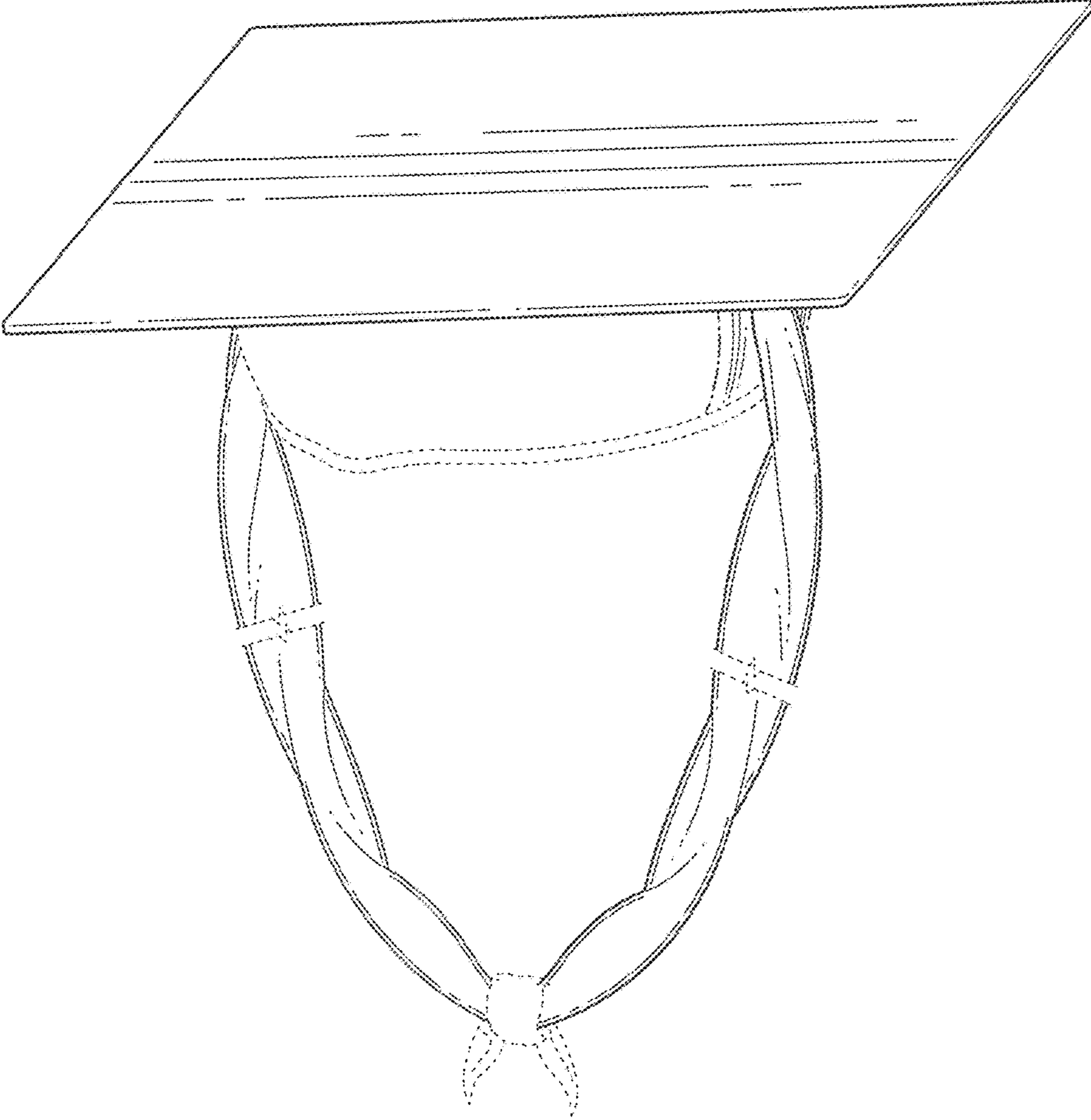


FIG. 1

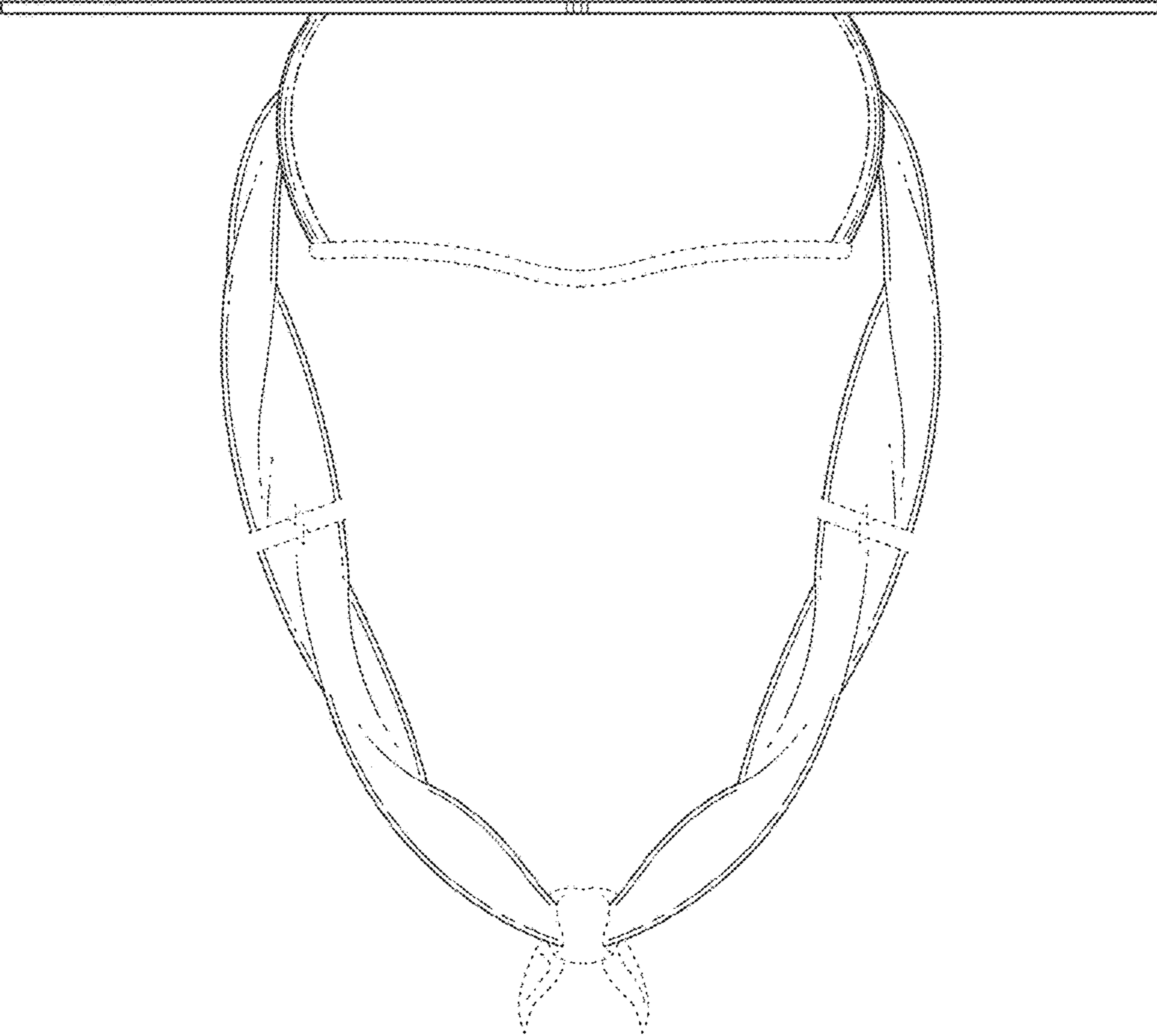


FIG. 2

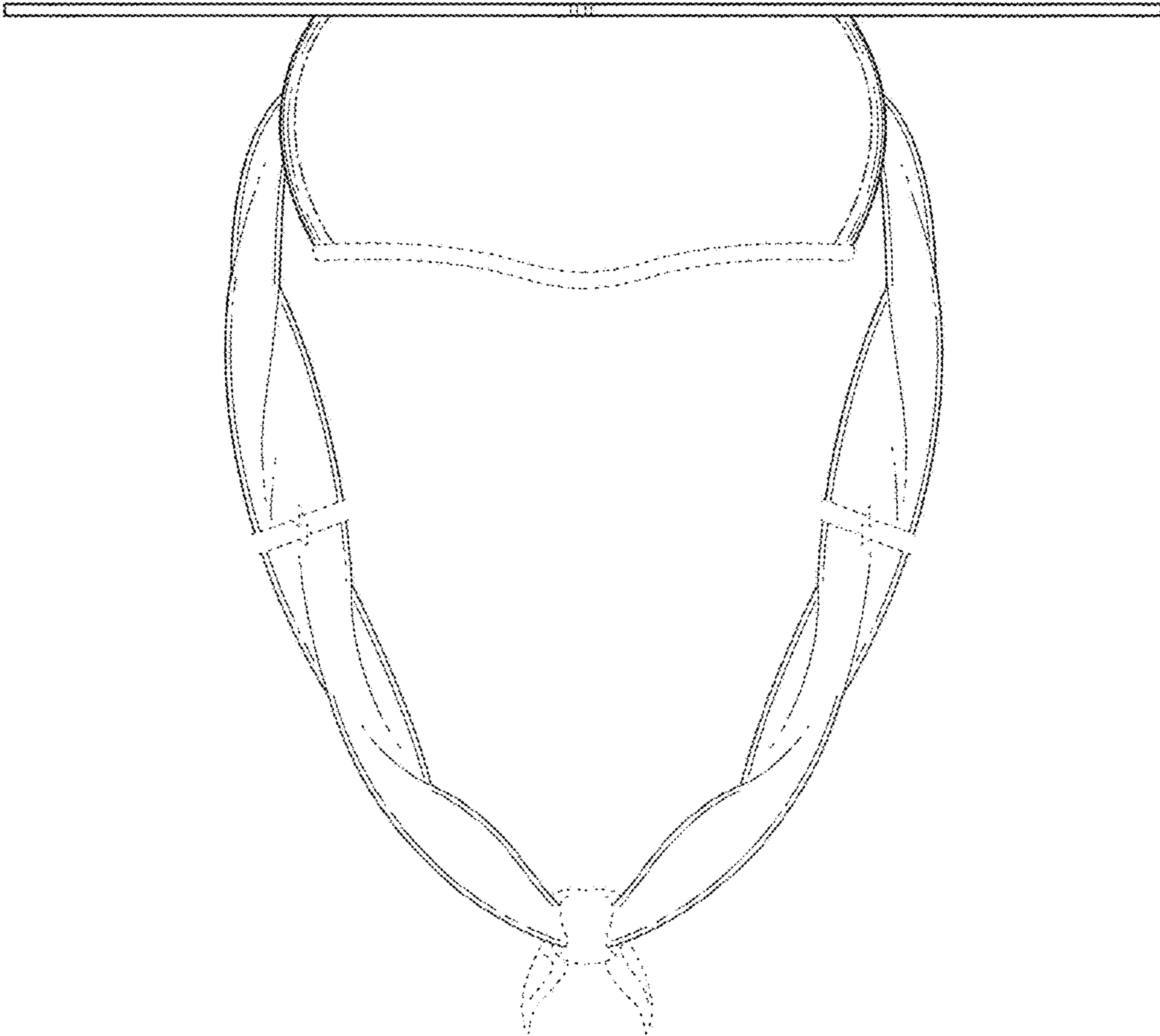


FIG. 3

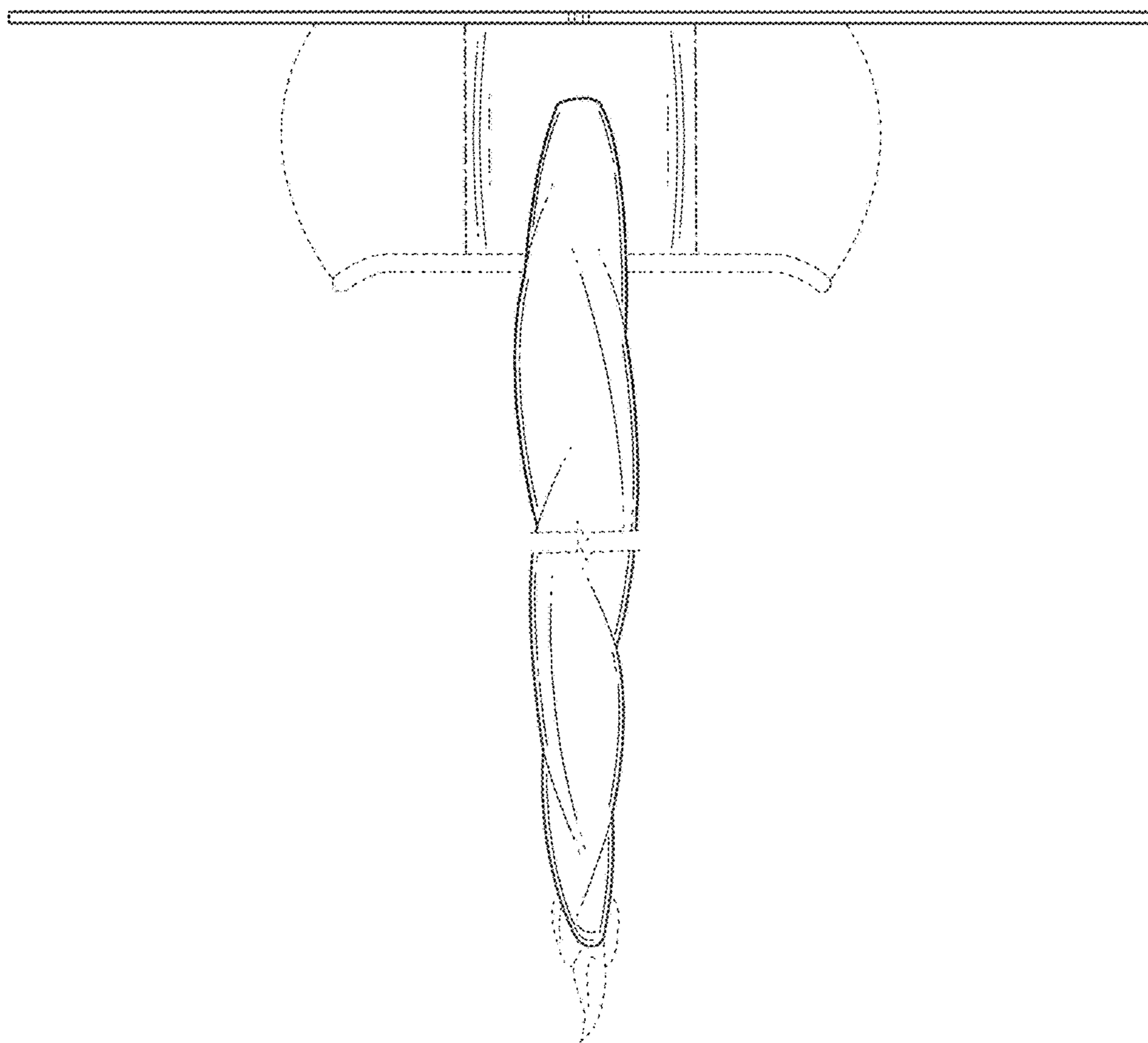


FIG. 4

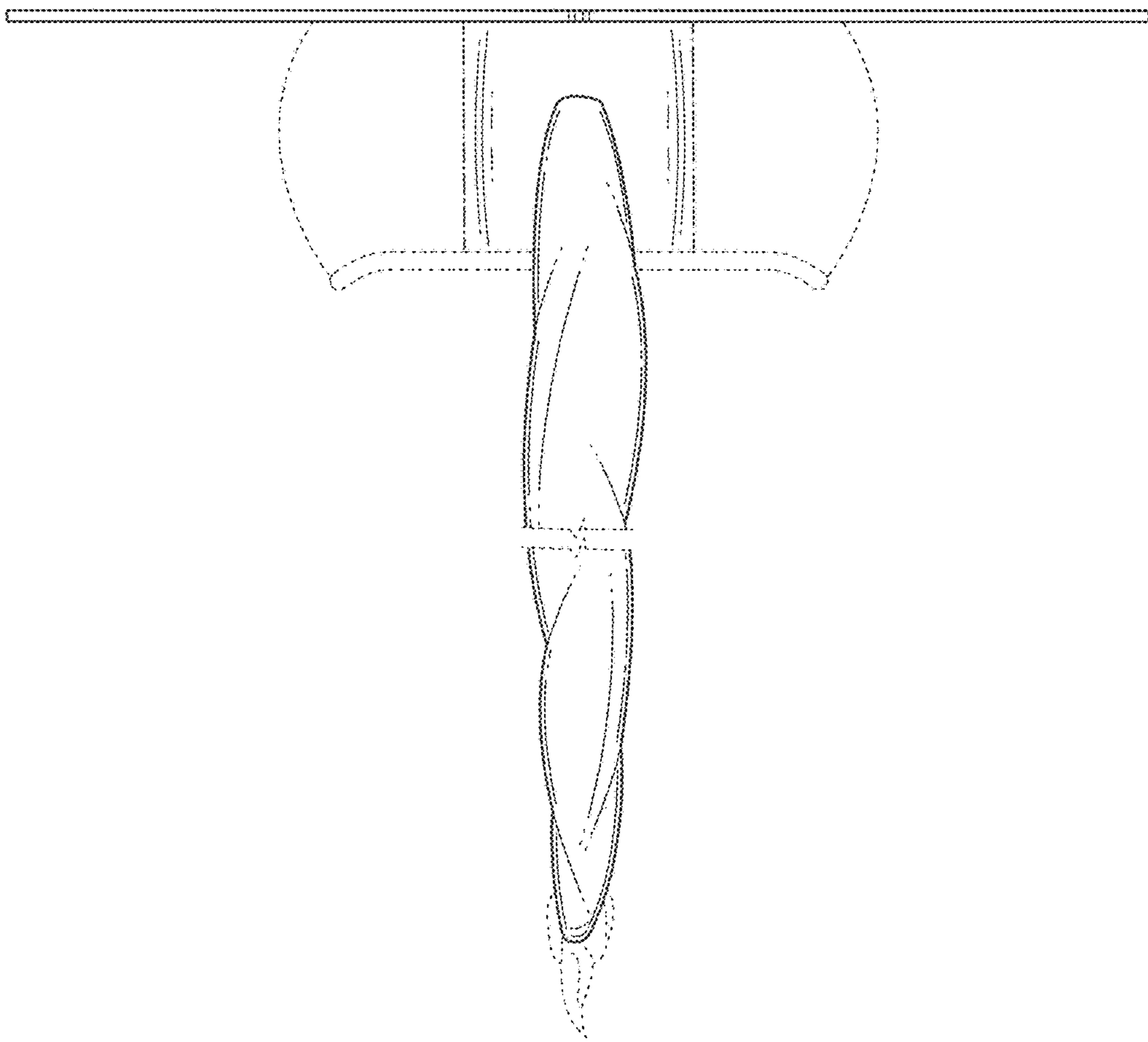


FIG. 5

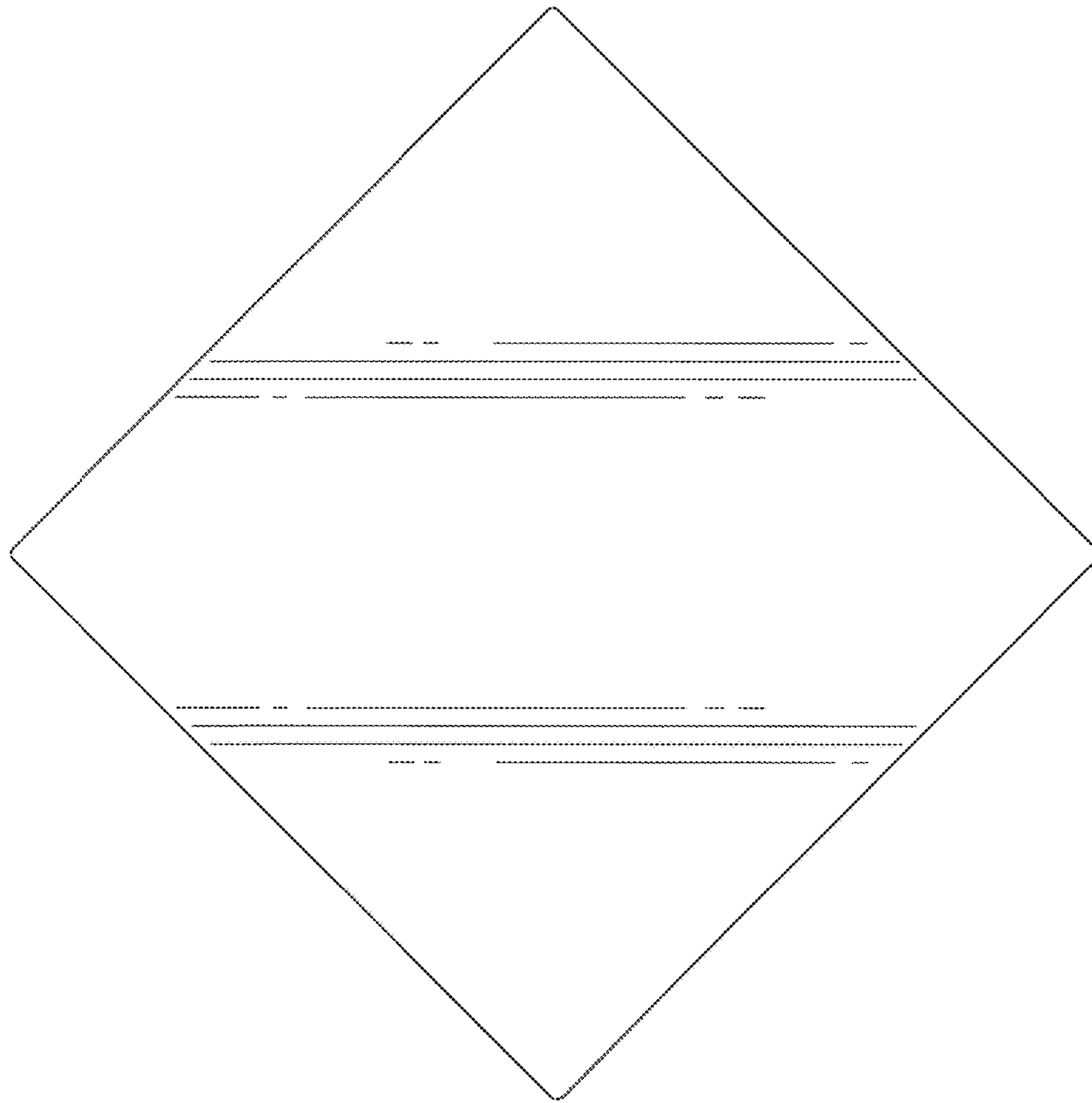


FIG. 6

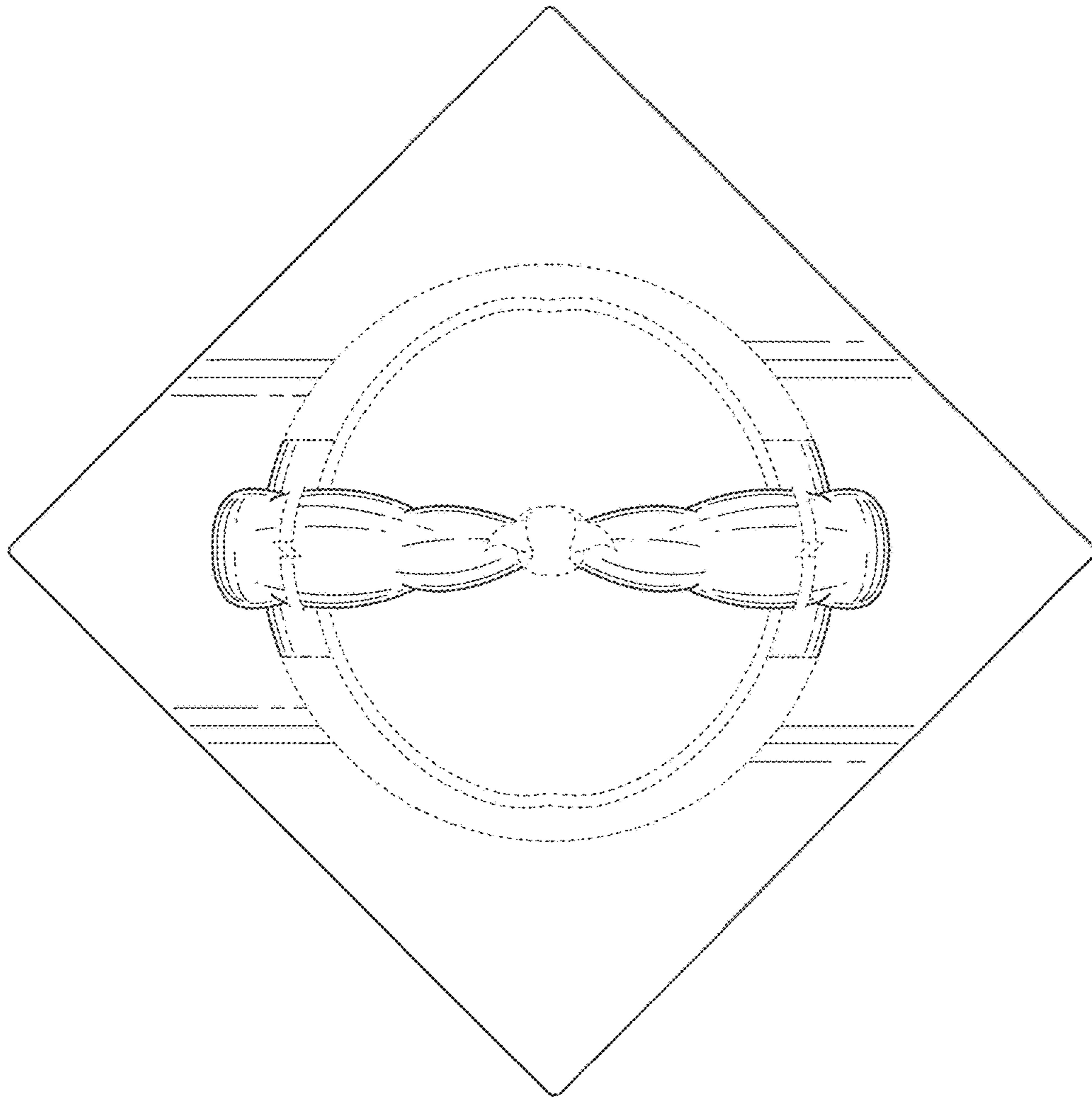


FIG. 7