



US00D855283S

(12) **United States Design Patent** (10) **Patent No.:** **US D855,283 S**  
**McManus** (45) **Date of Patent:** **\*\* Aug. 6, 2019**

(54) **BRA**  
(71) Applicant: **Lululemon Athletica Canada Inc.,**  
Vancouver (CA)  
(72) Inventor: **Niamh Siobhan McManus,**  
Ridgewood, NY (US)  
(73) Assignee: **LULULEMON ATHLETICA**  
**CANADA INC.,** Vancouver (CA)

D635,329 S 4/2011 Wahl et al.  
D668,837 S 10/2012 Palladino  
D671,297 S \* 11/2012 Iamartino ..... D2/708  
D683,525 S 6/2013 Iamartino  
D708,820 S 7/2014 Iamartino et al.  
D708,821 S \* 7/2014 Iamartino ..... D2/708  
D709,668 S \* 7/2014 Martz ..... D2/708  
D735,970 S 8/2015 Congdon  
D747,843 S 1/2016 Gallo et al.  
D750,344 S \* 3/2016 Stevens ..... D2/706  
D759,942 S \* 6/2016 Martz ..... D2/708  
D765,947 S \* 9/2016 McManus ..... D2/708

(\*\*) Term: **15 Years**

(Continued)

(21) Appl. No.: **29/573,620**

**OTHER PUBLICATIONS**

(22) Filed: **Aug. 8, 2016**

Calia Women's Inner Power Seamless Double Strap, posted at bestproducts.com, earliest date posted on Dec. 21, 2015, [online], acquired on Dec. 1, 2017. Available from Internet, <URL:http://www.bestproducts.com/fitness/clothing/g556/strappy-sports-bras-and-racerbacks/?slide=9>.\*

(Continued)

**Related U.S. Application Data**

(62) Division of application No. 29/534,230, filed on Jul. 27, 2015, now Pat. No. Des. 765,947.

(51) **LOC (12) Cl.** ..... **02-01**

(52) **U.S. Cl.**  
USPC ..... **D2/706**

(58) **Field of Classification Search**  
USPC ..... D2/700-711, 728, 731, 736, 737  
CPC . A41D 1/20; A41D 1/22; A41D 1/205; A41D 7/00; A41D 7/001; A41D 7/003; A41D 7/005; A41D 7/006; A41D 7/008; A41D 13/05; A41D 13/0518

See application file for complete search history.

*Primary Examiner* — Lilyana Bekic  
*Assistant Examiner* — Aula Soroush

(74) *Attorney, Agent, or Firm* — McAndrews, Held & Malloy, Ltd.

(57) **CLAIM**

The ornamental design for a bra, as shown and described.

**DESCRIPTION**

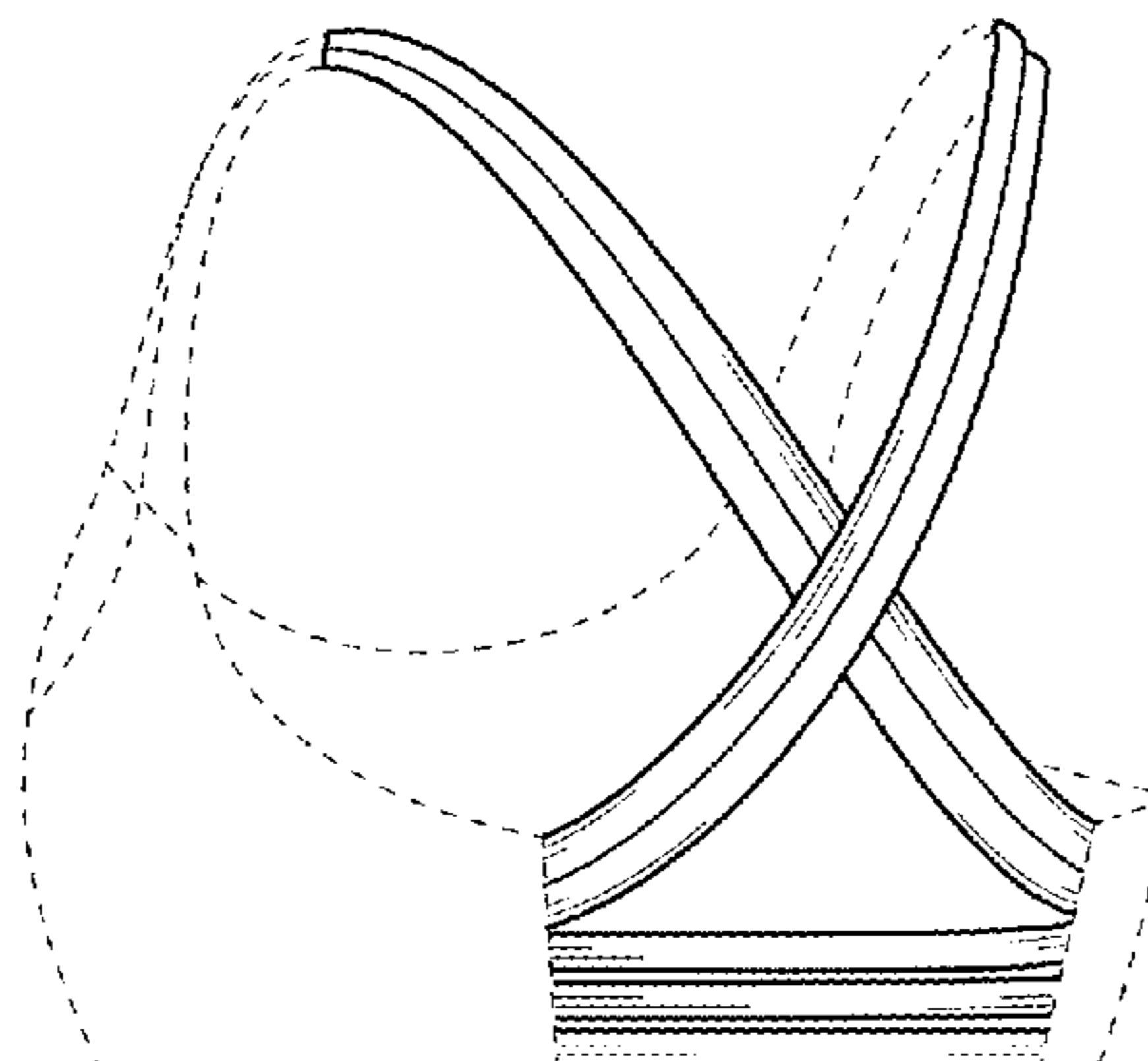
FIG. 1 is a front view of a bra showing my new design; FIG. 2 is a rear view thereof; FIG. 3 is a right side view thereof; FIG. 4 is a left side view thereof; FIG. 5 is a front left perspective view thereof; and, FIG. 6 is a rear perspective view thereof. The broken lines in the drawings illustrate portions of the bra that form no part of the claimed design.

**1 Claim, 6 Drawing Sheets**

(56) **References Cited**

**U.S. PATENT DOCUMENTS**

D140,752 S 4/1945 Laszlo  
D259,370 S 6/1981 Schreiber et al.  
4,311,150 A \* 1/1982 Schreiber ..... A41C 3/0057  
450/70  
5,823,851 A 10/1998 Dicker  
D424,279 S 5/2000 Schaefer  
7,442,110 B2 10/2008 Gaudet et al.



(56)

**References Cited**

U.S. PATENT DOCUMENTS

D765,948 S \* 9/2016 McManus ..... D2/708  
D773,149 S \* 12/2016 Kercher, III ..... D2/708

OTHER PUBLICATIONS

DIY Halloween Costumes, posted at valleuapparel.com, earliest date available Oct. 8, 2014, [online], acquired on Apr. 1, 2016. Available from Internet, <URL: <http://www.valleuapparel.com/blog/2014/10/8/diy-halloween-costumes>>.

Sport in a D Cup, posted at trainingforchocolate.com, earliest date available Jan. 12, 2015, [online], acquired on Apr. 11, 2016. Available from Internet, <URL: <http://trainingforchocolate.com/sport-in-a-d-cup-my-8-favourite-sports-bras-for-biggerboobs/#sthash.Oqsj5vOM.dpbs>>.

Cyber Window Shopping Tuesday (and Wednesday, Thursday, ETC.), posted at abonnielass.com, earliest date available Jan. 14, 2014, [online], acquired on Apr. 11, 2016. Available from Internet, <URL:<https://abonnielass.com/2014/01/14/cyber-window-shopping-tuesday-and-wednesday-thursday-etc/>>.

10 Sports Bras That Won't Salt Your Workout Style, posted at brit.co, earliest date available Jan. 2, 2014, [online], acquired on Apr. 11, 2016. Available from Internet, <URL: <http://www.brit.co/sports-bras-roundup/>>.

\* cited by examiner

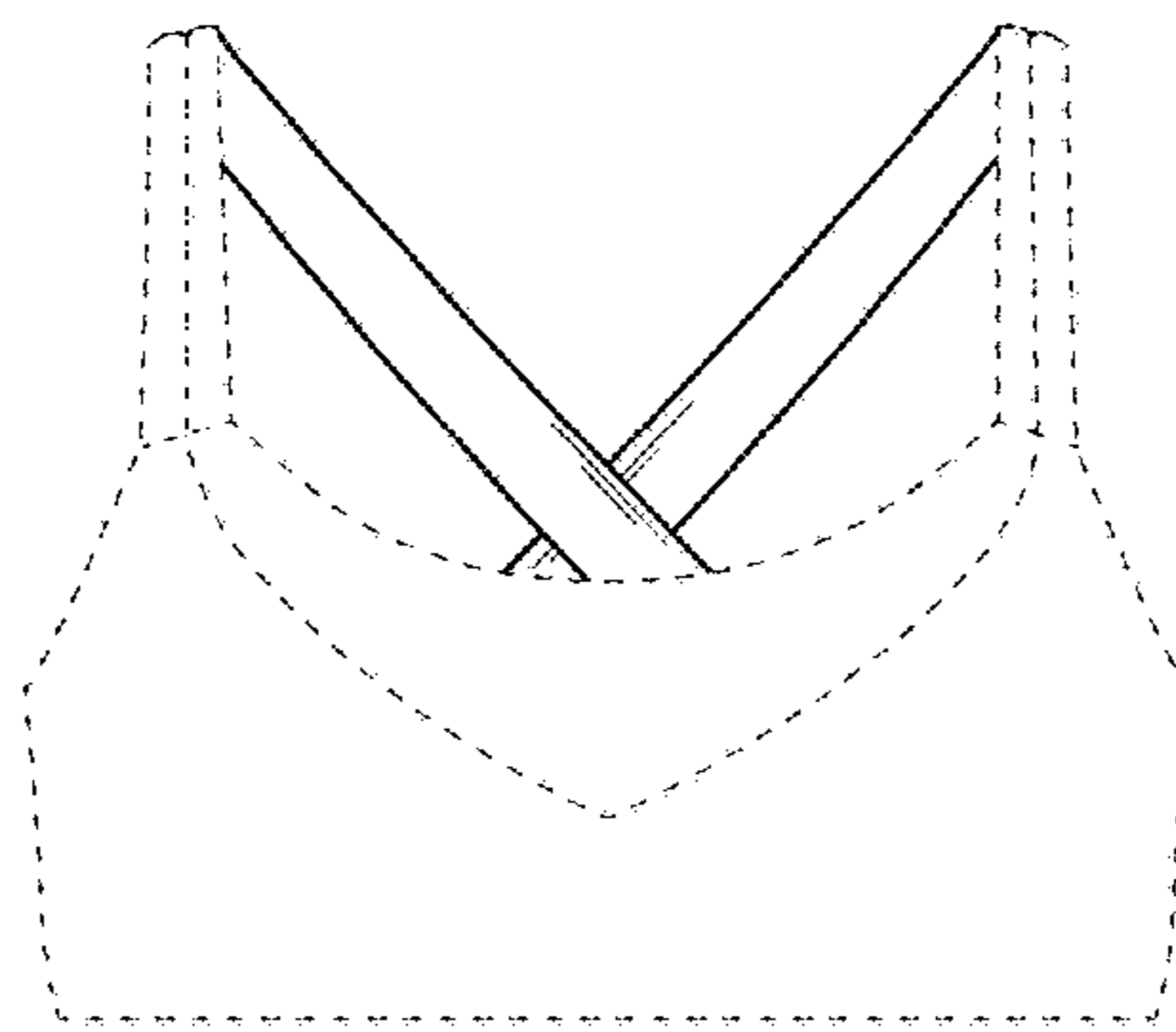


FIG. 1

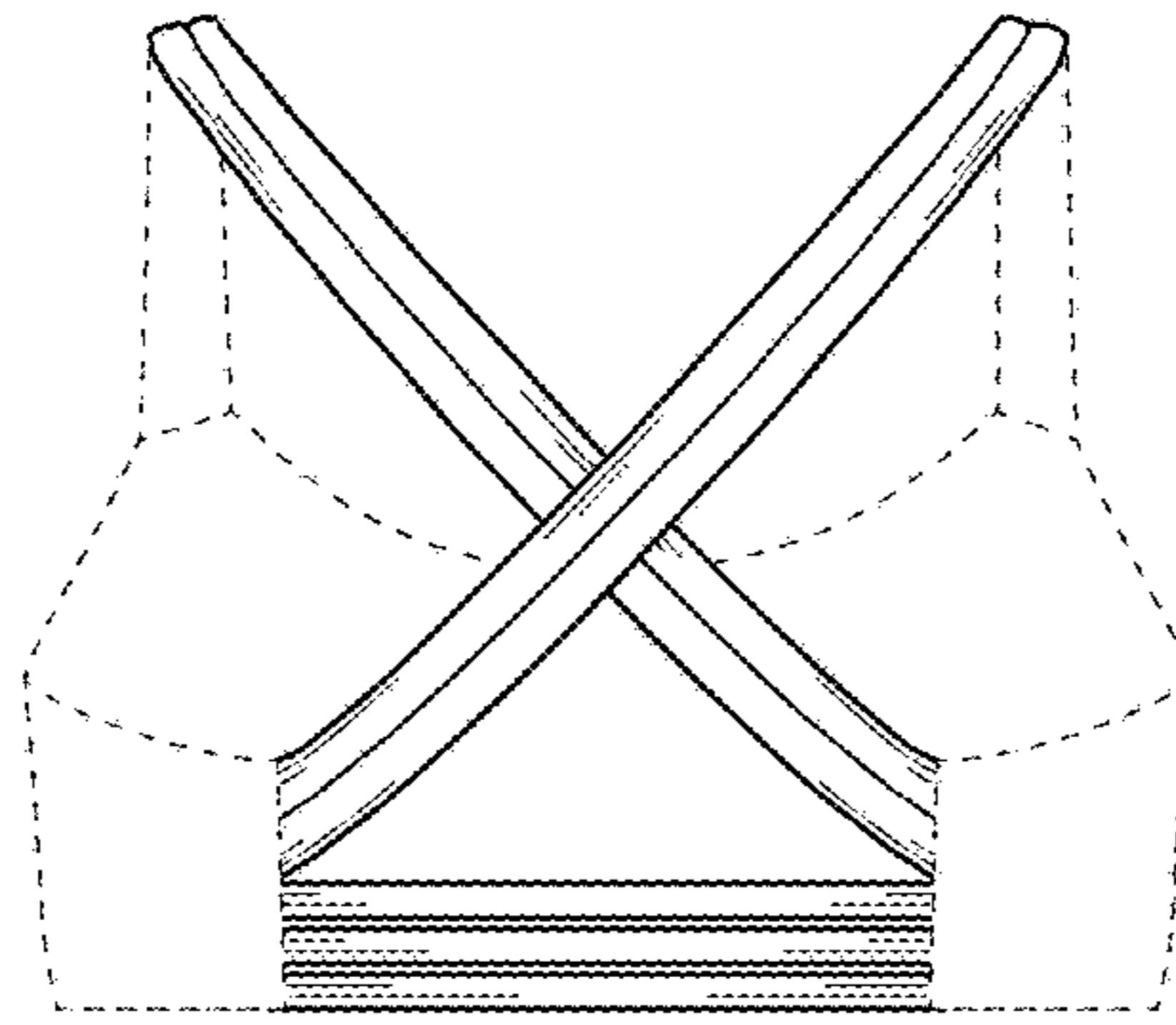


FIG. 2

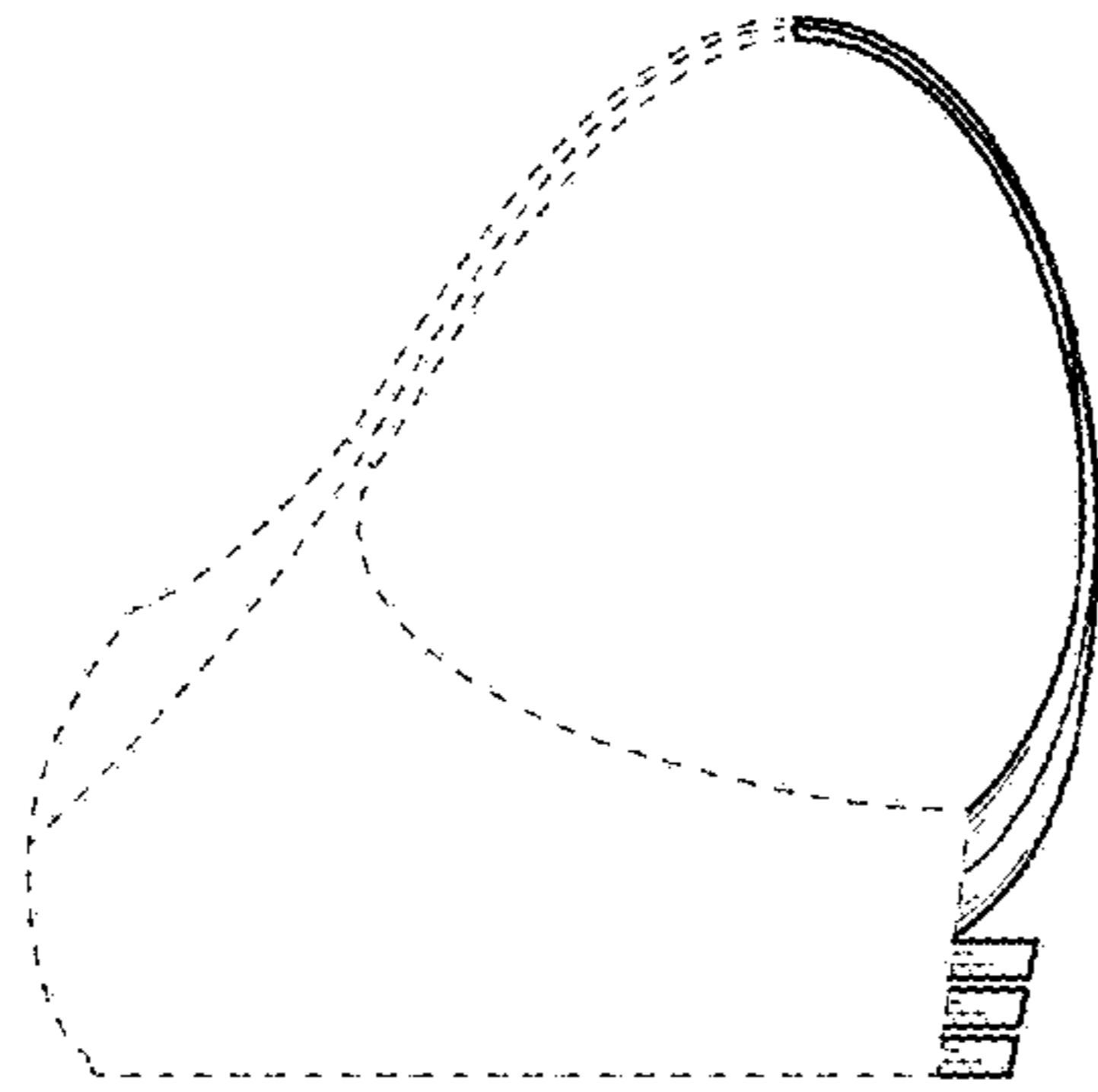


FIG. 3

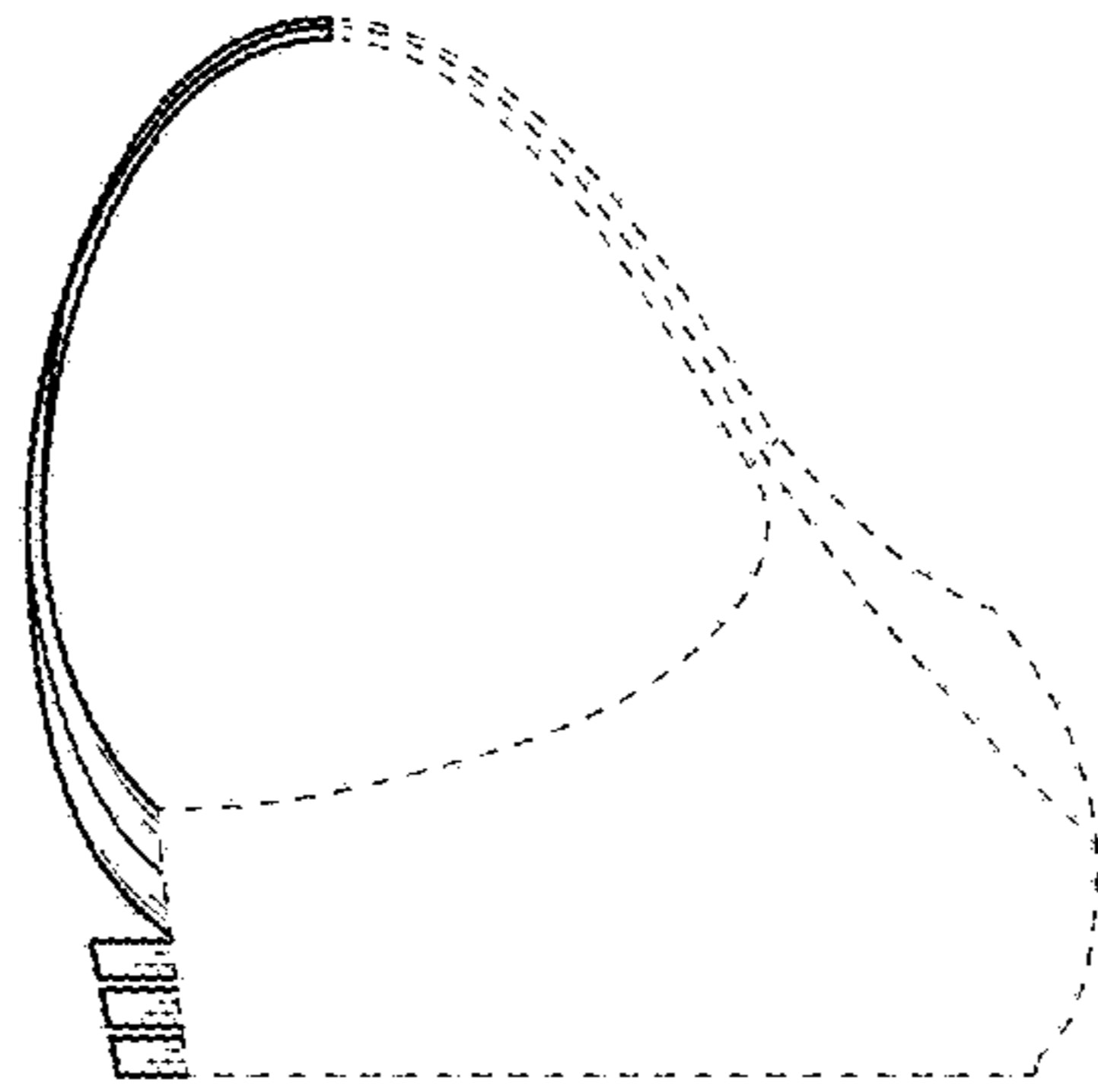


FIG. 4

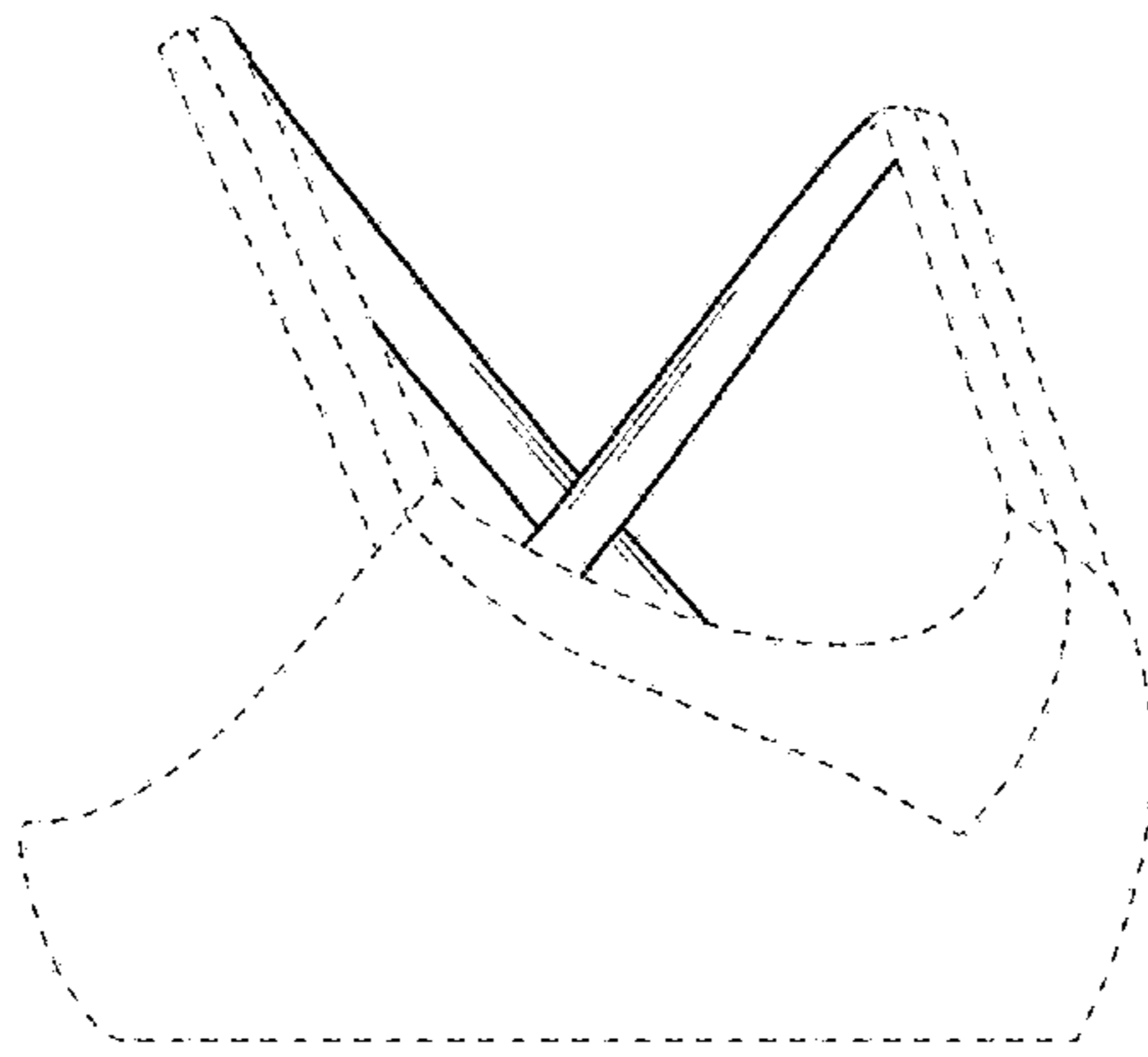


FIG. 5

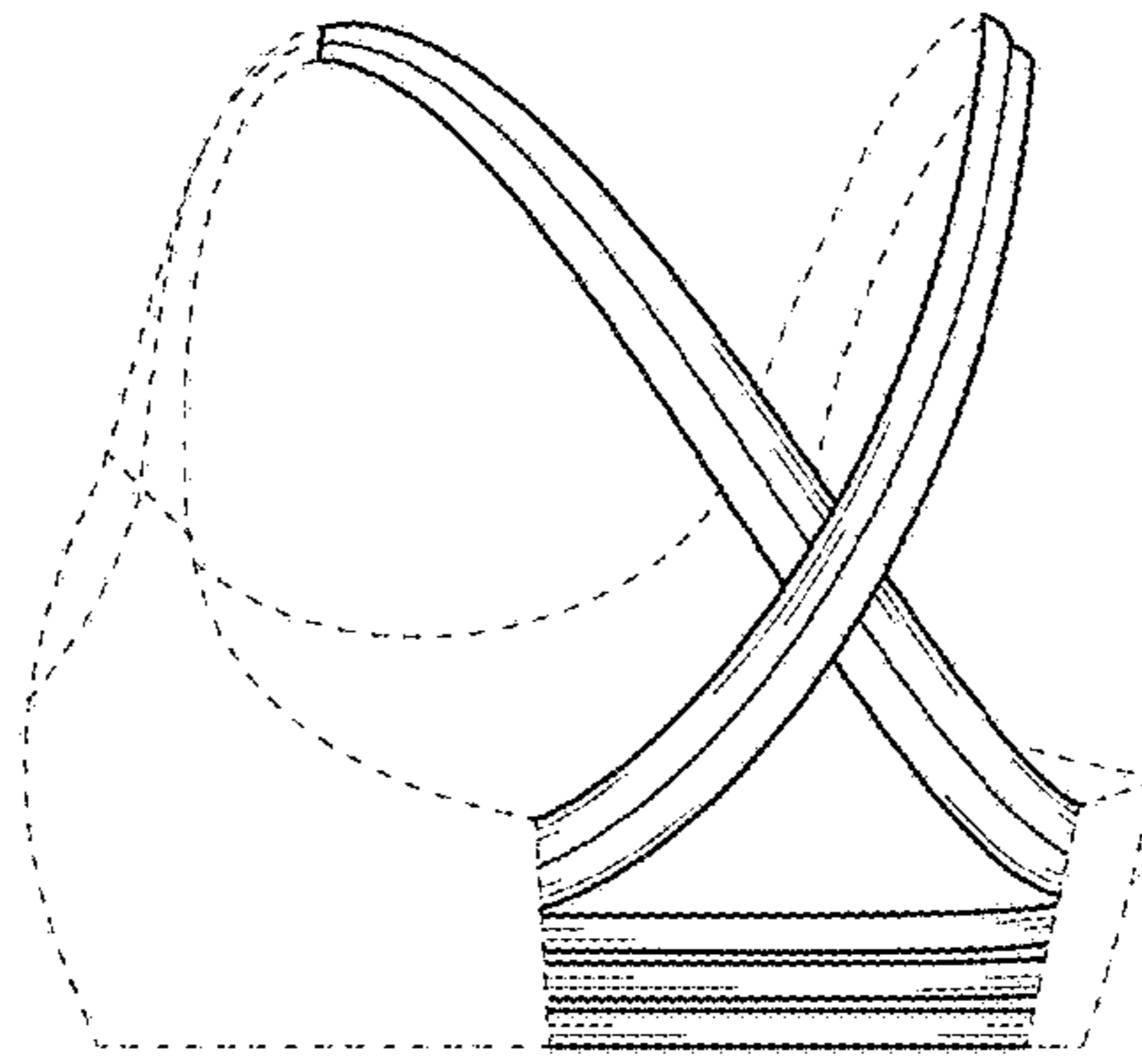


FIG. 6