



US00D855281S

(12) **United States Design Patent**  
**Nemec**

(10) **Patent No.:** **US D855,281 S**

(45) **Date of Patent:** **\*\* Aug. 6, 2019**

(54) **SUSPENDER CLIP**

(71) Applicant: **John Nemec**, Alamo, CA (US)

(72) Inventor: **John Nemec**, Alamo, CA (US)

(\*\*) Term: **15 Years**

(21) Appl. No.: **29/586,530**

(22) Filed: **Dec. 5, 2016**

(51) **LOC (12) Cl.** ..... **02-07**

(52) **U.S. Cl.**  
USPC ..... **D2/626; D8/395**

(58) **Field of Classification Search**

USPC ..... D2/624-629, 631, 633-640, 706, 728,  
D2/851, 852, 853, 859, 860, 891;  
D11/200, 201, 212, 215, 216, 218, 220,  
D11/222, 231, 234, 78.1; D24/190;  
D29/101.5, 101.1; D30/152; D3/224,  
D3/226; D8/383, 395  
CPC ..... A41F 1/008; A41F 11/00; A41F 11/02;  
A41F 11/06; A41F 11/08; A41F 11/18;  
A41F 17/02; A41F 17/04; A41F 3/02;  
A41F 5/00; A41F 7/00; A41F 9/00; A41F  
9/002; A41F 9/007; A41F 9/02; A41F  
9/025; A41F 11/12; A41F 11/14; A41F  
11/16; A41F 18/00; A41F 19/00; A41F  
19/005; A41F 3/00; A62B 35/0006; A62B  
35/00; A63B 29/02; B60R 2022/006;  
B60R 2022/008; B60R 22/00; B60R  
22/10; A44B 99/00; A45F 2003/144  
See application file for complete search history.

(56) **References Cited**

**U.S. PATENT DOCUMENTS**

D117,747 S \* 11/1939 Freysinger ..... 24/489  
D149,976 S \* 6/1948 Sanford ..... D17/20  
4,115,906 A \* 9/1978 Lavine ..... A41F 17/04  
2/233

4,463,482 A \* 8/1984 Hawie ..... A41F 3/02  
24/489  
5,052,055 A \* 10/1991 Mysliwiec ..... A41D 13/04  
2/338  
5,177,813 A \* 1/1993 Bosack ..... A41F 3/02  
2/323  
5,913,478 A \* 6/1999 Ochsman ..... A41F 11/06  
24/541  
5,933,922 A \* 8/1999 Ochsman ..... A45F 5/02  
24/3.11  
D463,325 S \* 9/2002 Savoia ..... D11/200  
(Continued)

**OTHER PUBLICATIONS**

Suspender Clip Hardware by Strapworks <<https://www.strapworks.com/ProductDetails.asp>> Accessed on Oct. 19, 2017.\*

(Continued)

*Primary Examiner* — Kevin K Rudzinski  
*Assistant Examiner* — Clare Ann Gannon  
(74) *Attorney, Agent, or Firm* — James R. Cypher;  
Charles R. Cypher

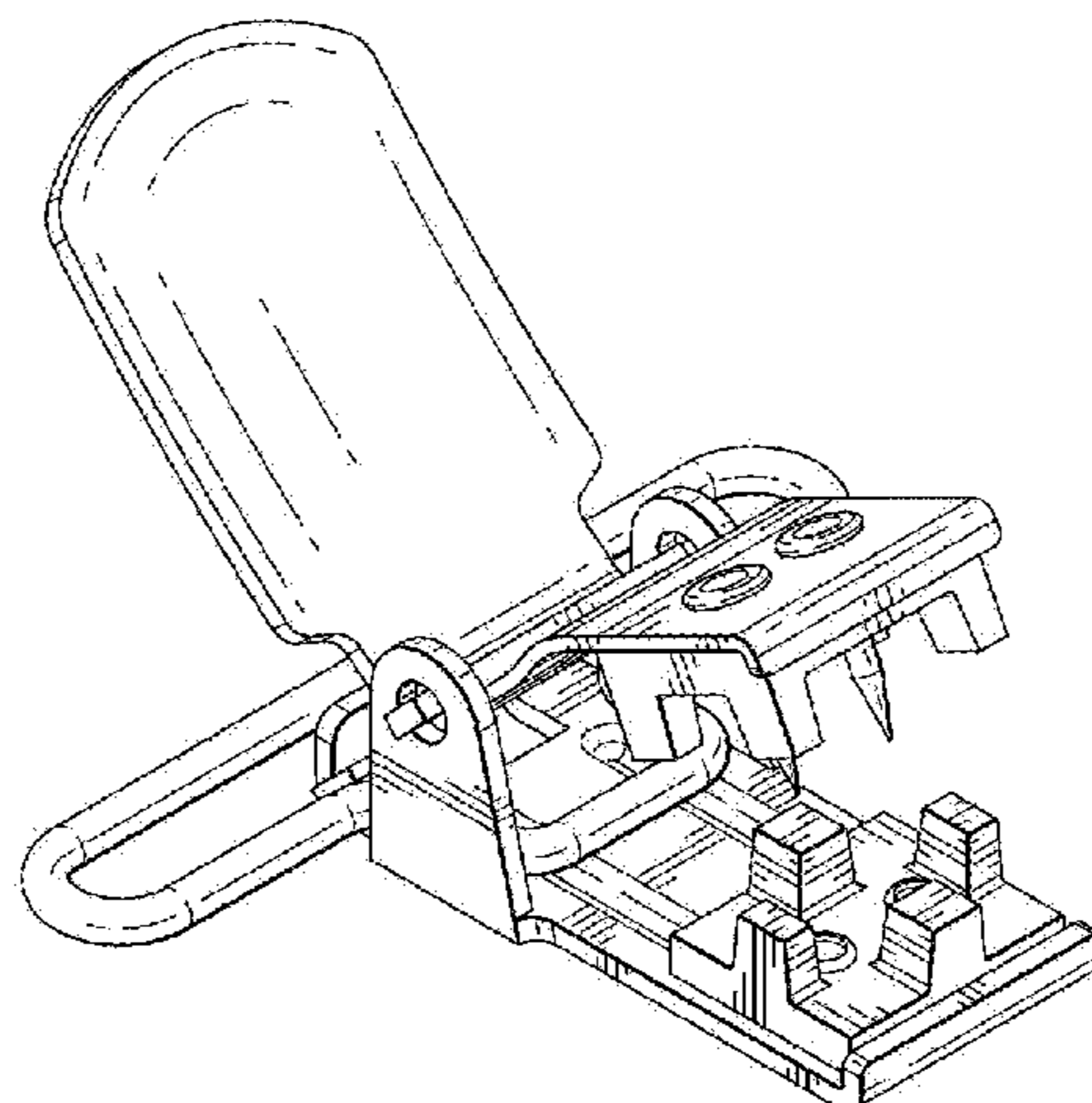
(57) **CLAIM**

The ornamental design for a suspender clip, as shown and described.

**DESCRIPTION**

FIG. 1 is an isometric view of a suspender clip, shown in an open position.  
FIG. 2 is a front elevation view of the suspender clip.  
FIG. 3 is a rear elevation view of the suspender clip.  
FIG. 4 is a right side elevation view of the suspender clip.  
FIG. 5 is a left side elevation view of the suspender clip.  
FIG. 6 is a top plan view of the suspender clip.  
FIG. 7 is a bottom plan view of the suspender clip; and,  
FIG. 8 is an isometric view of the suspender clip, shown in a closed position.

**1 Claim, 2 Drawing Sheets**



(56)

**References Cited**

U.S. PATENT DOCUMENTS

6,666,426 B1 \* 12/2003 Taylor ..... A47C 21/026  
 248/506  
 D521,411 S \* 5/2006 Moeller ..... D11/216  
 D614,946 S \* 5/2010 Herman ..... D8/395  
 D617,561 S \* 6/2010 Salerno-Tortora ..... D3/318  
 D661,461 S \* 6/2012 Murray ..... D2/627  
 D690,539 S \* 10/2013 Grill ..... D6/607  
 D692,638 S \* 11/2013 Herman ..... D2/626  
 D708,095 S \* 7/2014 Whitworth ..... D11/200  
 9,049,895 B1 \* 6/2015 Wesol ..... A41F 11/18  
 9,163,697 B2 \* 10/2015 Whaley ..... A47C 21/022  
 D746,542 S \* 1/2016 Gilroy ..... A45F 5/02  
 D2/626  
 D761,042 S \* 7/2016 Whaley ..... D6/607  
 D774,379 S \* 12/2016 Mudge ..... D8/349  
 D799,859 S \* 10/2017 Whaley ..... D6/607  
 2004/0168286 A1 \* 9/2004 Herman ..... A41F 3/02  
 24/513

2009/0083899 A1 \* 4/2009 Herman ..... A41F 17/04  
 2/323  
 2011/0083253 A1 \* 4/2011 Pankow ..... A41F 17/04  
 2/323  
 2012/0005867 A1 \* 1/2012 Whaley ..... A47C 21/022  
 24/302  
 2013/0198939 A1 \* 8/2013 Herman ..... A41F 19/00  
 2/327  
 2015/0082581 A1 \* 3/2015 Thomas ..... A41F 3/02  
 24/344  
 2015/0327685 A1 \* 11/2015 Longnecker ..... A47C 21/022  
 5/498  
 2016/0295943 A1 \* 10/2016 Gilroy ..... A41F 3/02

OTHER PUBLICATIONS

Suspender Clip by Super-I <<https://www.super-i.com.tw/suspender-clip.html>> Accessed on Apr. 20, 2019.\*

\* cited by examiner

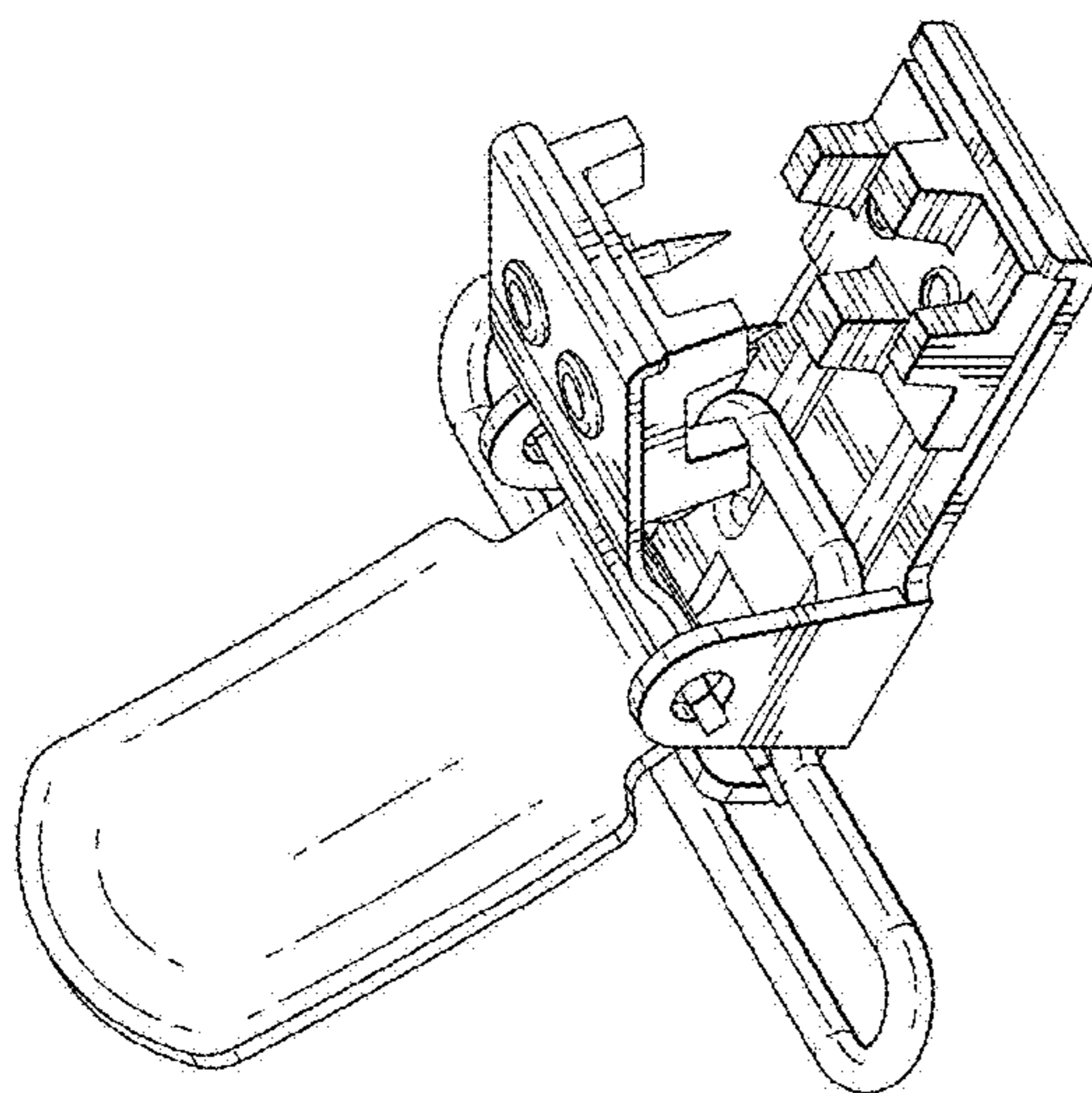


FIG. 1

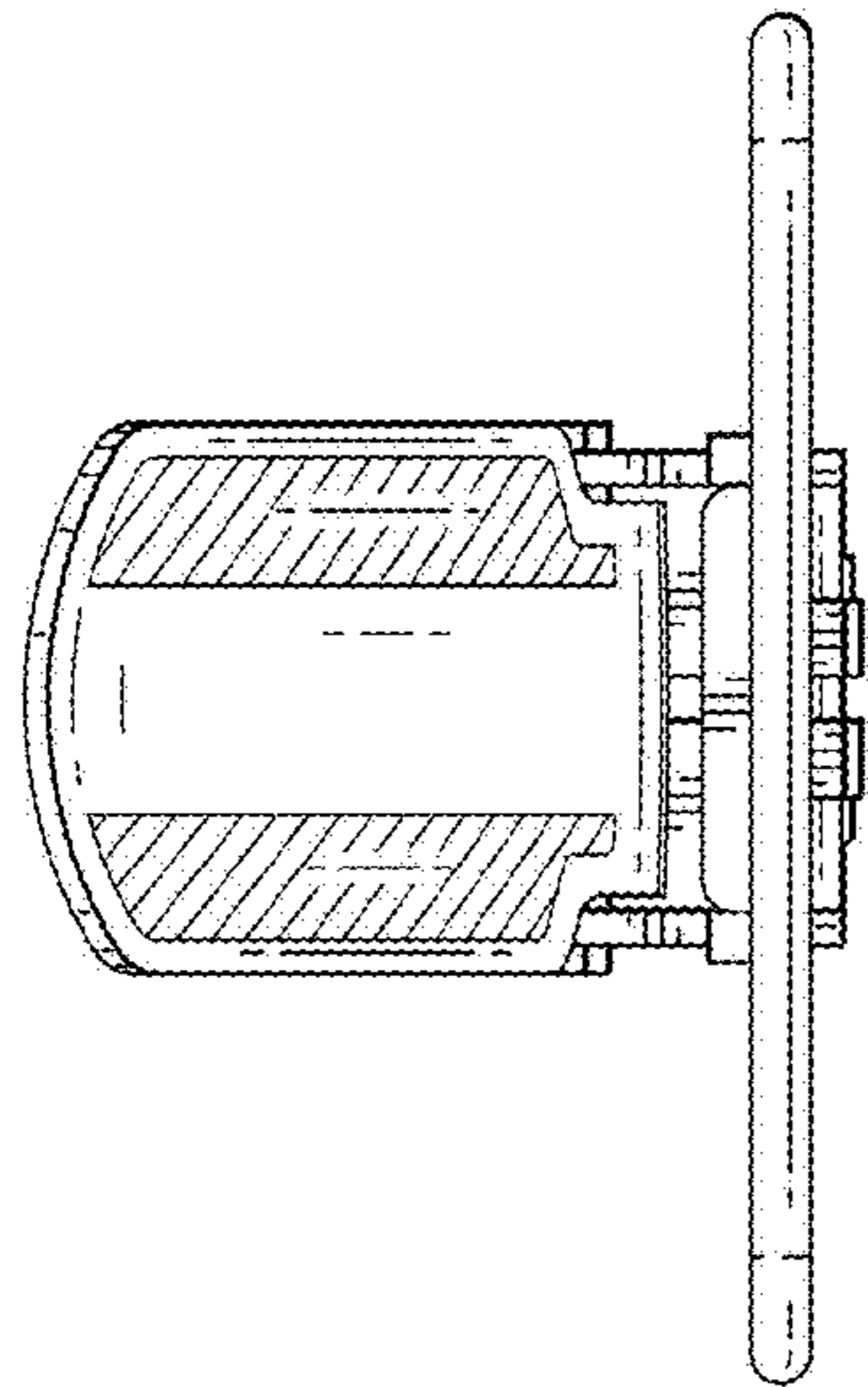


FIG. 3

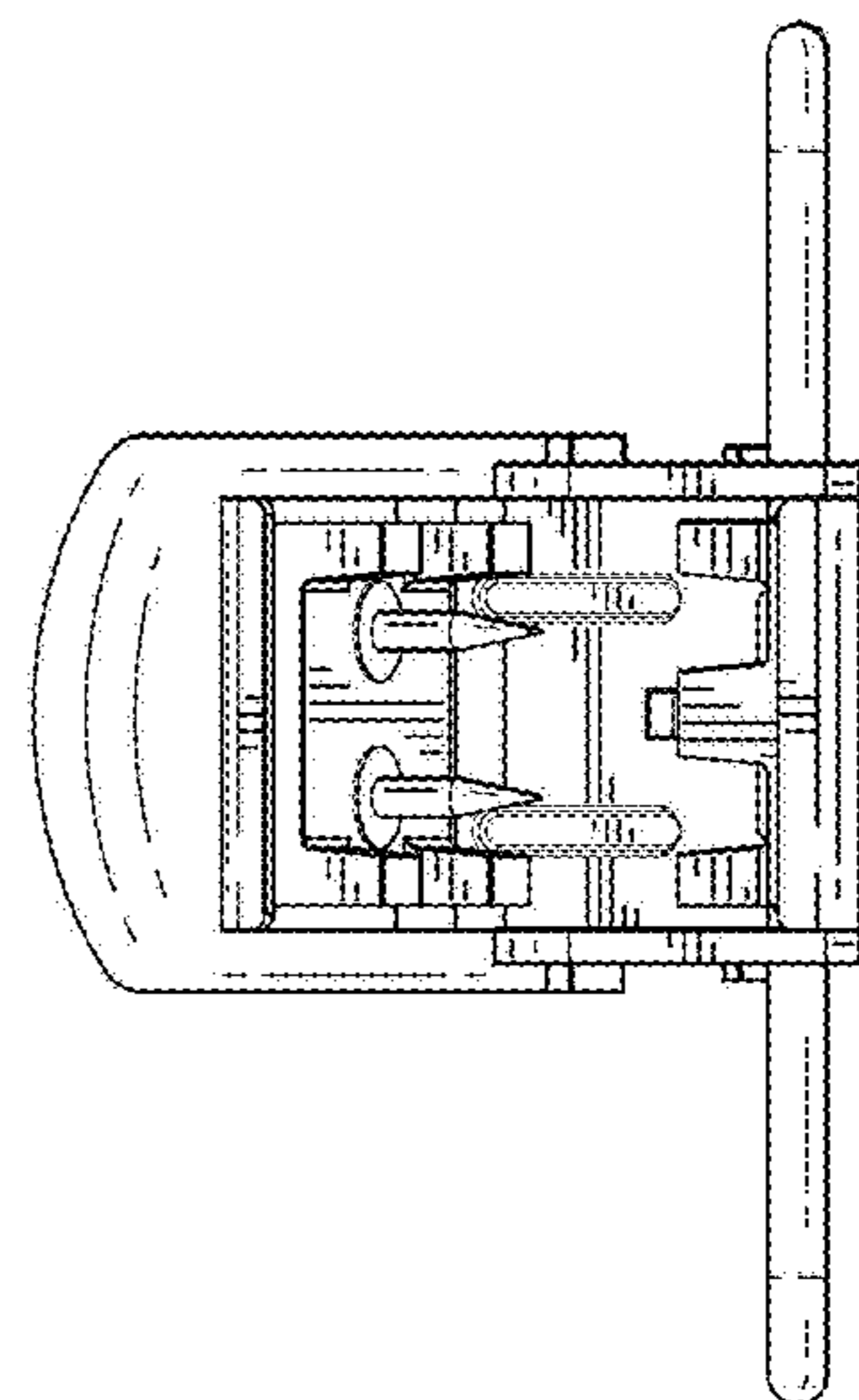


FIG. 2

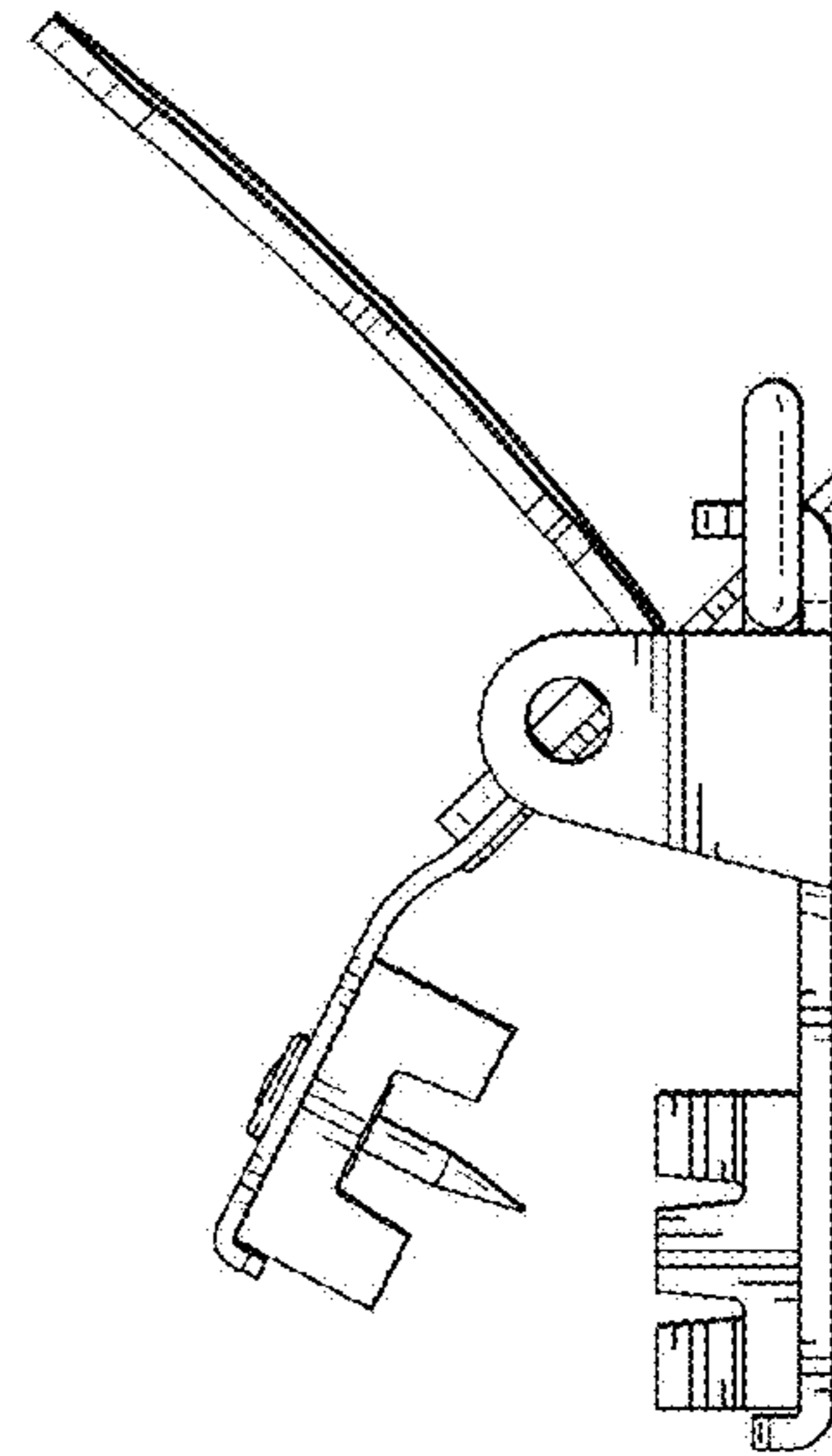


FIG. 4

