



US00D855279S

(12) **United States Design Patent**
Camarato

(10) **Patent No.:** **US D855,279 S**
(45) **Date of Patent:** **** Jul. 30, 2019**

(54) **HELMET PIGGY BANK**
(71) Applicant: **California Veterans Affairs & Rehabilitation Foundation**, Sanger, CA (US)
(72) Inventor: **Charles Camarato**, San Diego, CA (US)
(73) Assignee: **CALIFORNIA VETERAN AFFAIRS & REHABILITATION FOUNDATION**, Sanger, CA (US)
(**) Term: **15 Years**

D209,219 S * 11/1967 Goldstein D11/157
D356,425 S * 3/1995 August D99/37
D356,427 S * 3/1995 August D99/37
D358,016 S * 5/1995 August D99/37
D379,023 S * 4/1997 August D99/37
D382,473 S * 8/1997 Egender D7/613
D382,671 S * 8/1997 Shewchenko D29/102
D705,492 S * 5/2014 Zhu D29/102
D718,915 S * 12/2014 Byers D99/37
D745,998 S * 12/2015 Sansalone D29/102
D748,866 S * 2/2016 Tutor D29/102
D749,269 S * 2/2016 Tutor D29/102
D800,390 S * 10/2017 Xiong D29/102
D809,713 S * 2/2018 Ciaravino D29/102
D822,905 S * 7/2018 Thorsell D29/102

* cited by examiner

(21) Appl. No.: **29/623,976**
(22) Filed: **Oct. 27, 2017**
(51) **LOC (11) Cl.** **99-00**
(52) **U.S. Cl.**
USPC **D99/37**
(58) **Field of Classification Search**
USPC D99/28, 34, 35, 36, 37, 43, 99; D29/102, D29/103; D2/865, 866, 867, 868, 869, D2/870, 878
CPC E05B 65/0075; E05G 1/00; E05G 1/005; E05G 1/024; E05G 1/026; E05G 5/00; E05G 2700/00; E05G 2700/02; E07D 11/0006; E07D 11/0009; G07D 9/00; G07D 9/002; G07D 9/004; G07D 9/008; G07F 9/06; G07F 17/10; G07F 17/105; G07F 17/12
See application file for complete search history.

Primary Examiner — Elizabeth J Oswecki
(74) *Attorney, Agent, or Firm* — Herbert T. Patty

(57) **CLAIM**

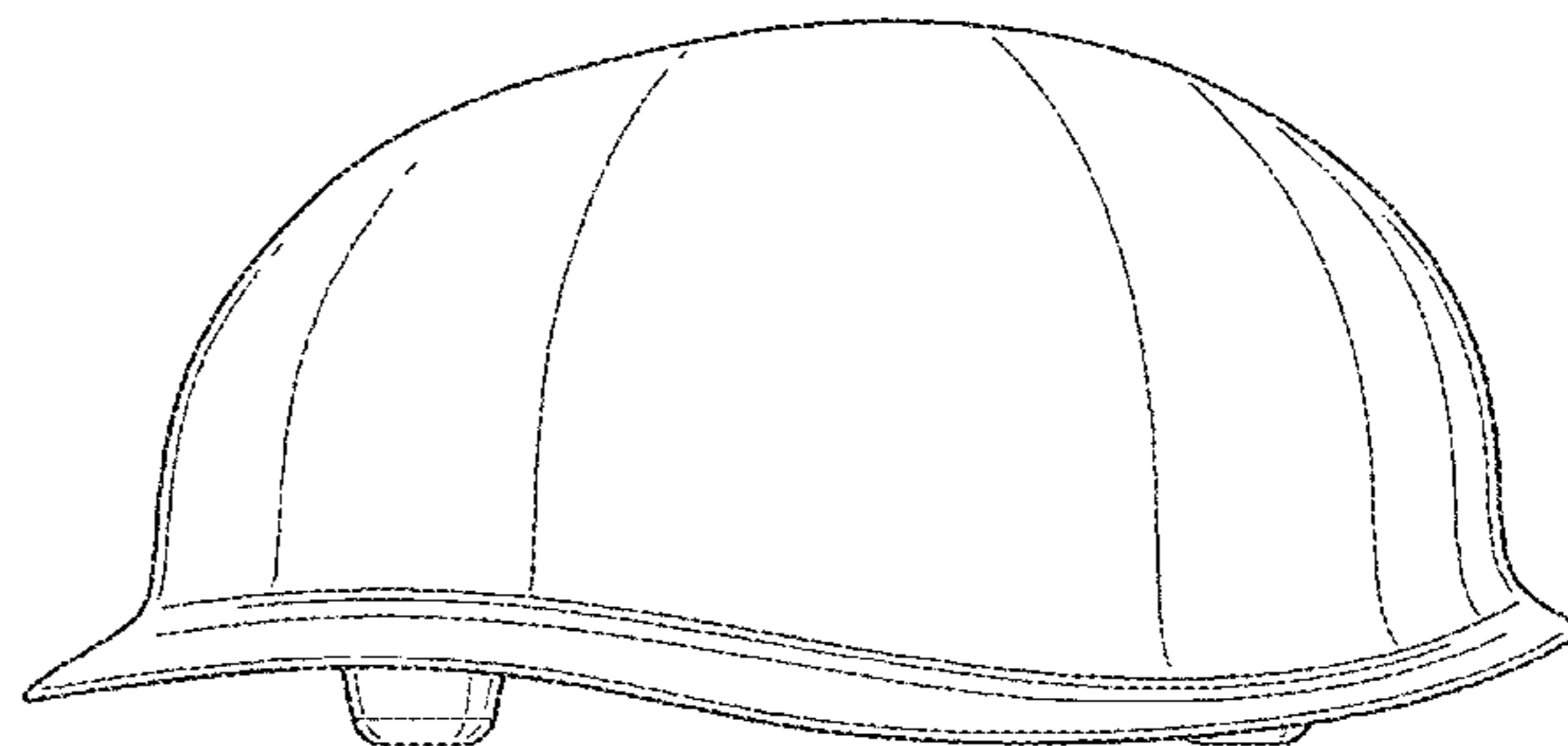
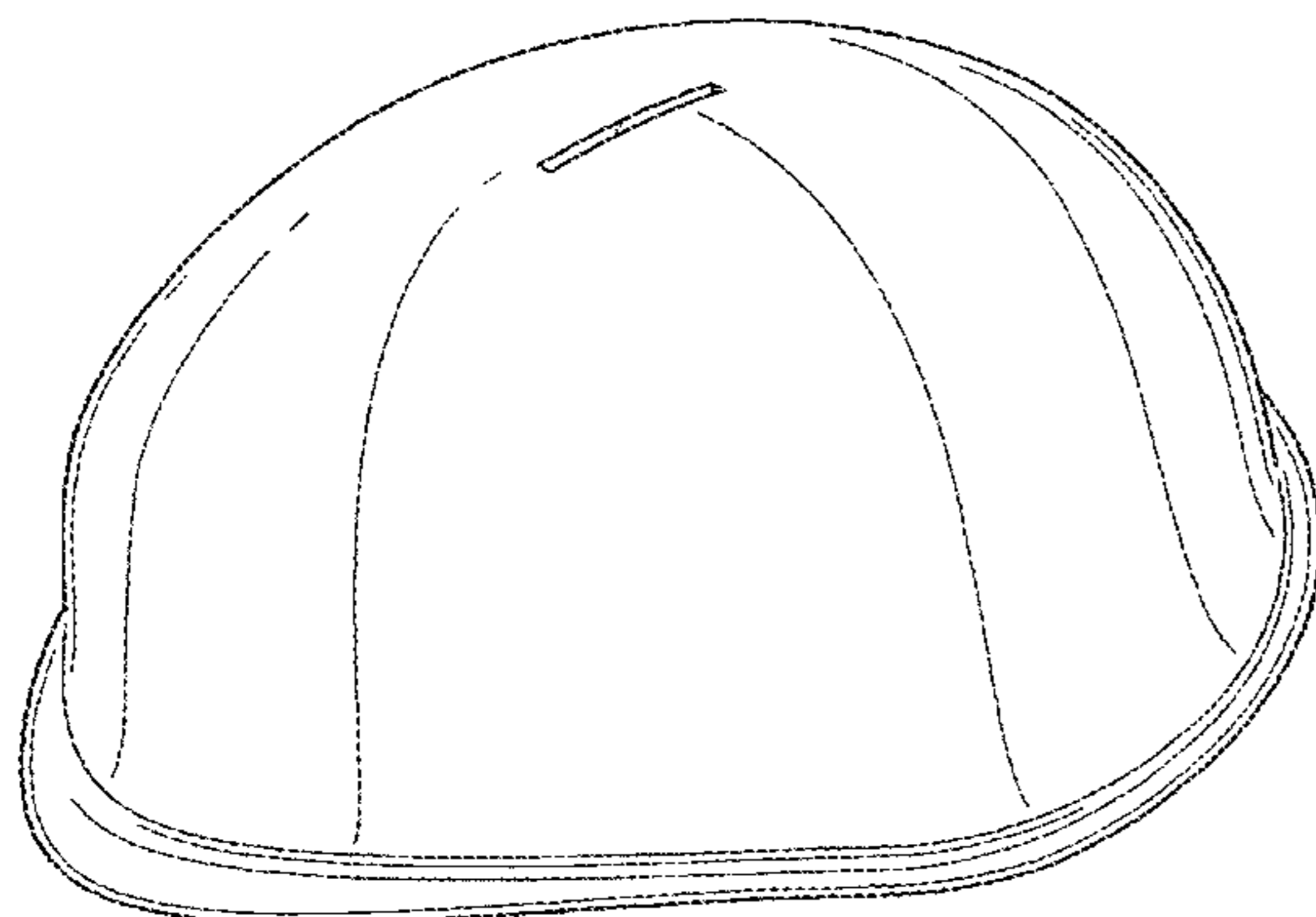
The ornamental design for a helmet piggy bank, as shown and described.

DESCRIPTION

FIG. 1 is a perspective view of a helmet piggy bank showing my new design;
FIG. 2 is a front view thereof;
FIG. 3 is a back view thereof;
FIG. 4 is a right side view thereof;
FIG. 5 is a left side view thereof;
FIG. 6 is a top view thereof; and,
FIG. 7 is a bottom view thereof.

(56) **References Cited**
U.S. PATENT DOCUMENTS
D27,442 S * 7/1897 Martin D99/37
D59,733 S * 11/1921 Fisher D99/37

1 Claim, 7 Drawing Sheets



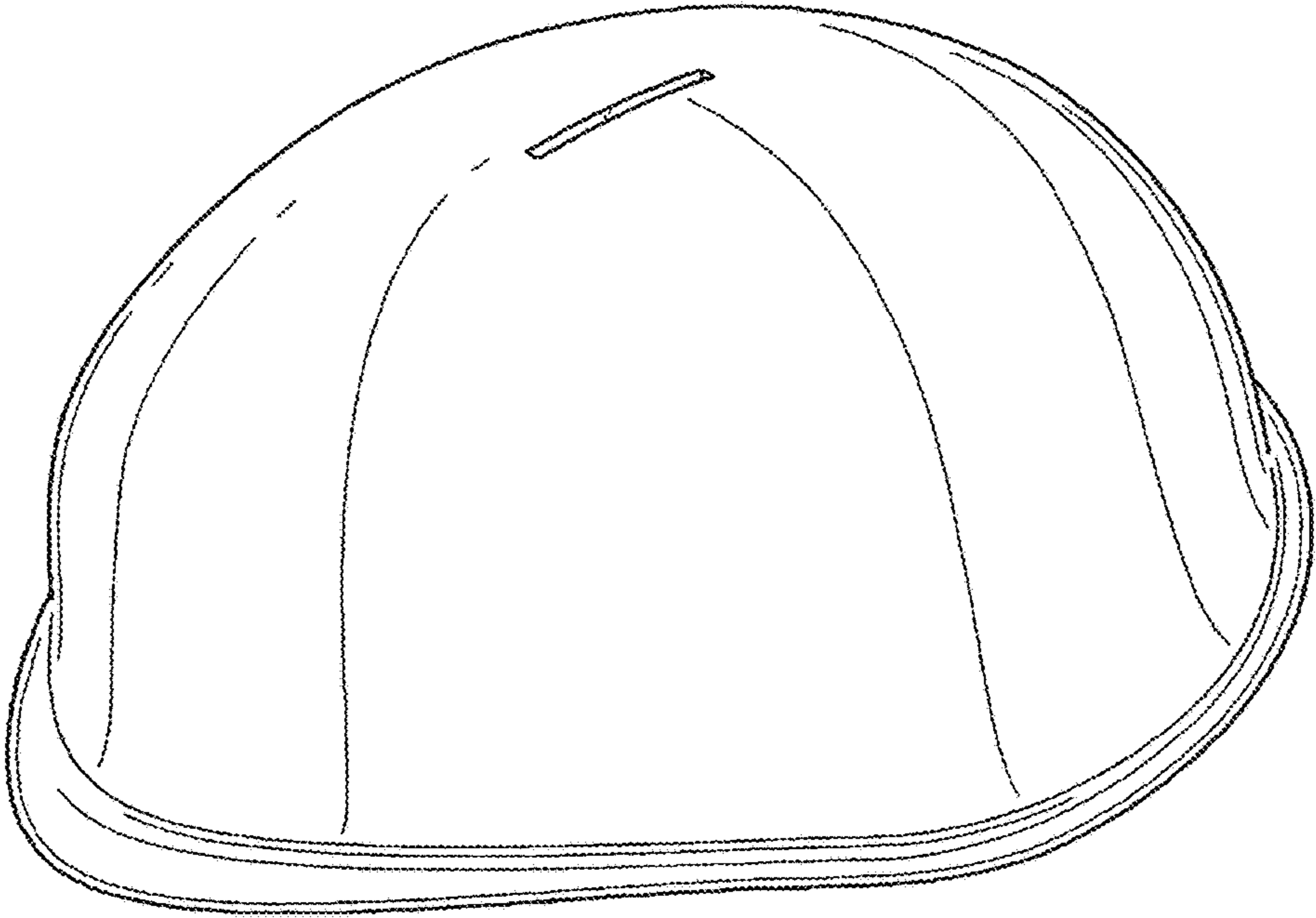


FIG. 1

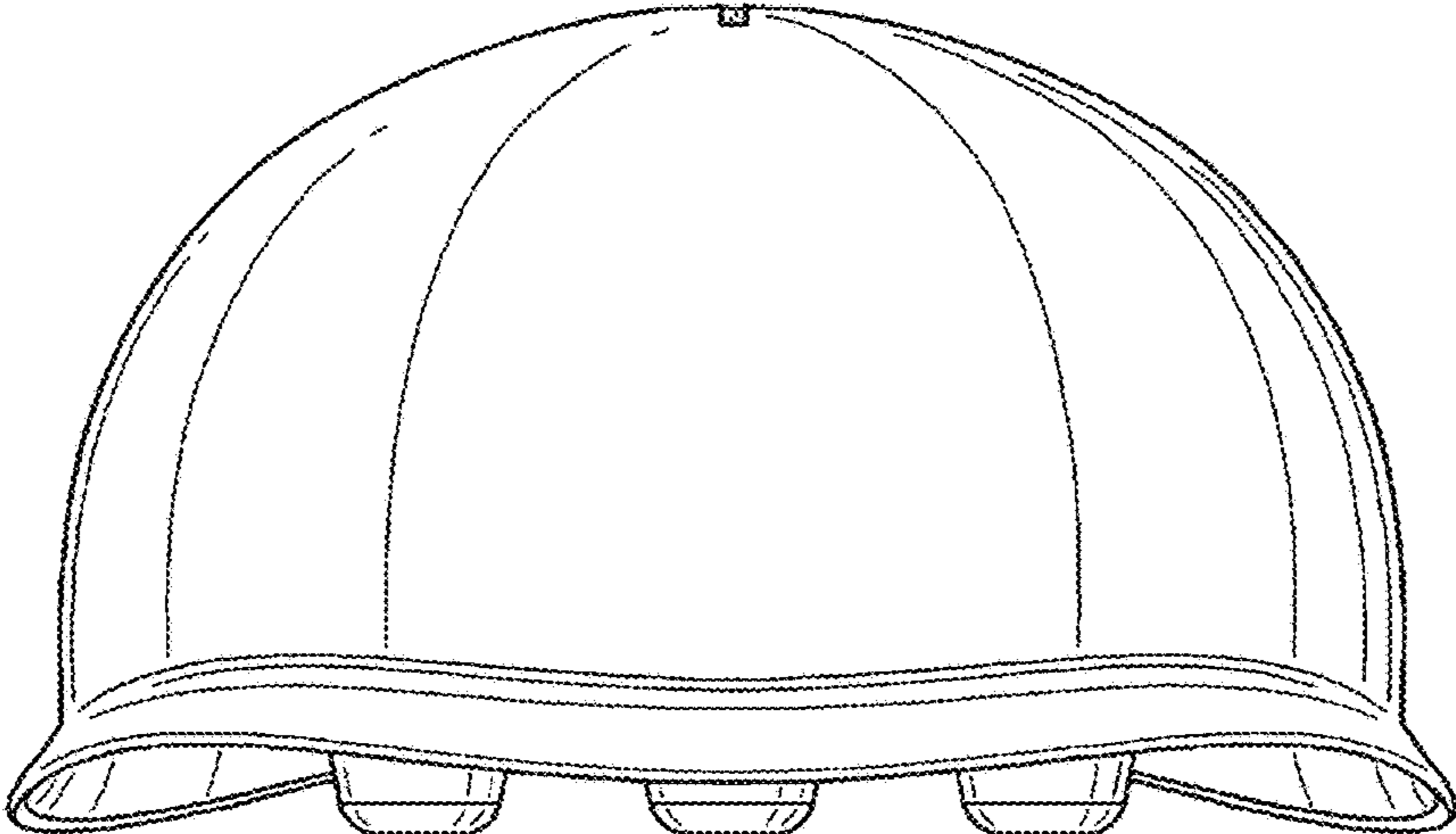


FIG. 2

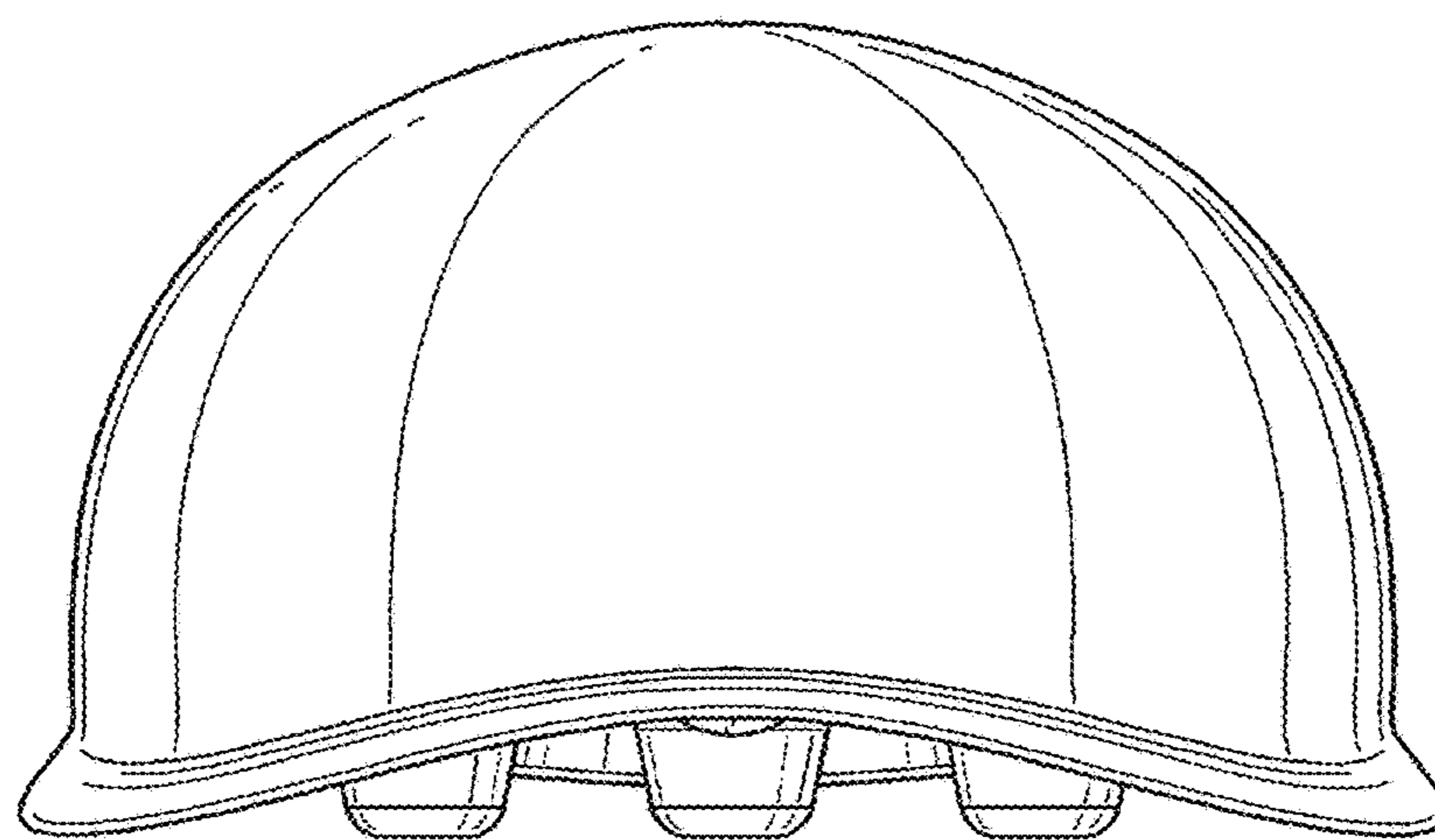


FIG. 3

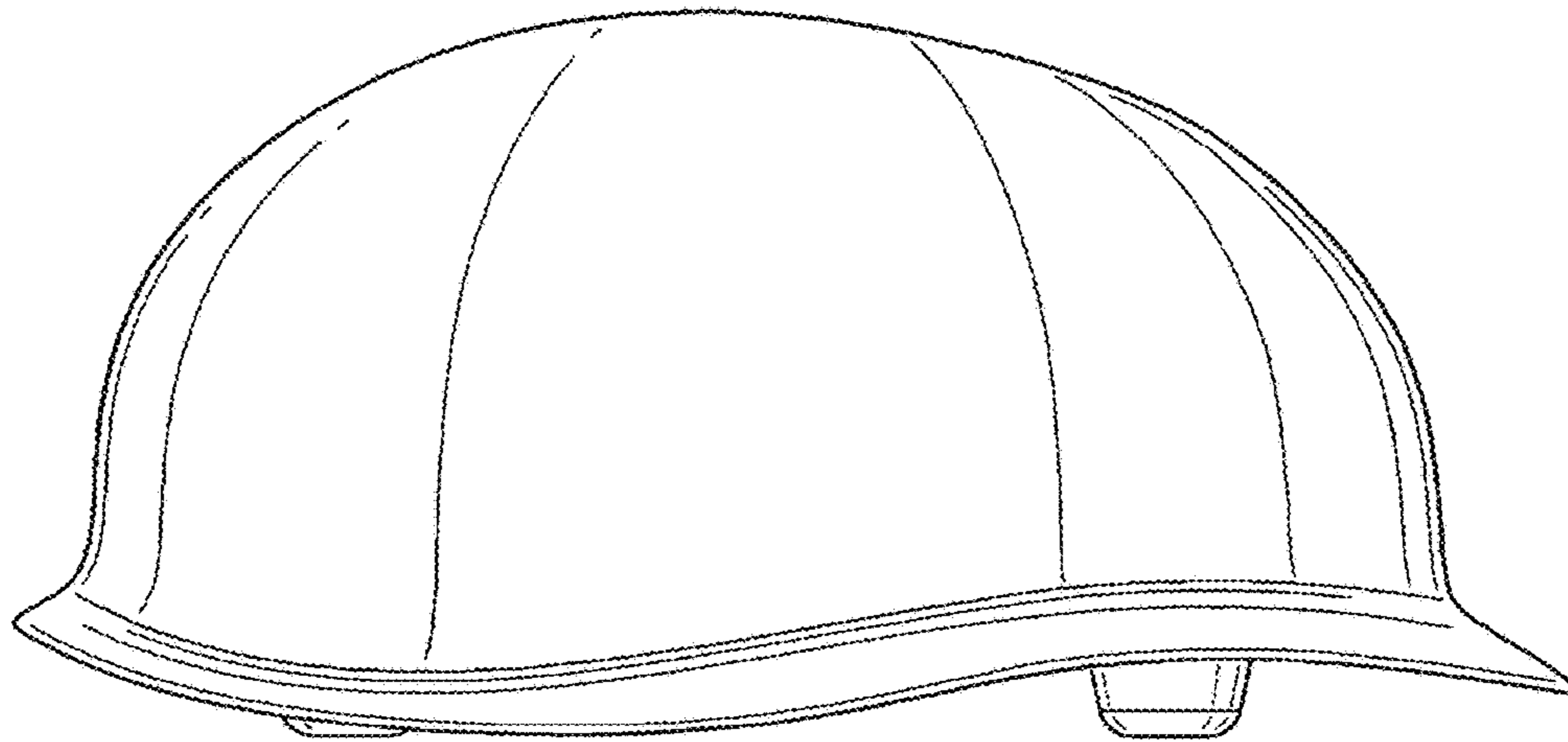


FIG. 4

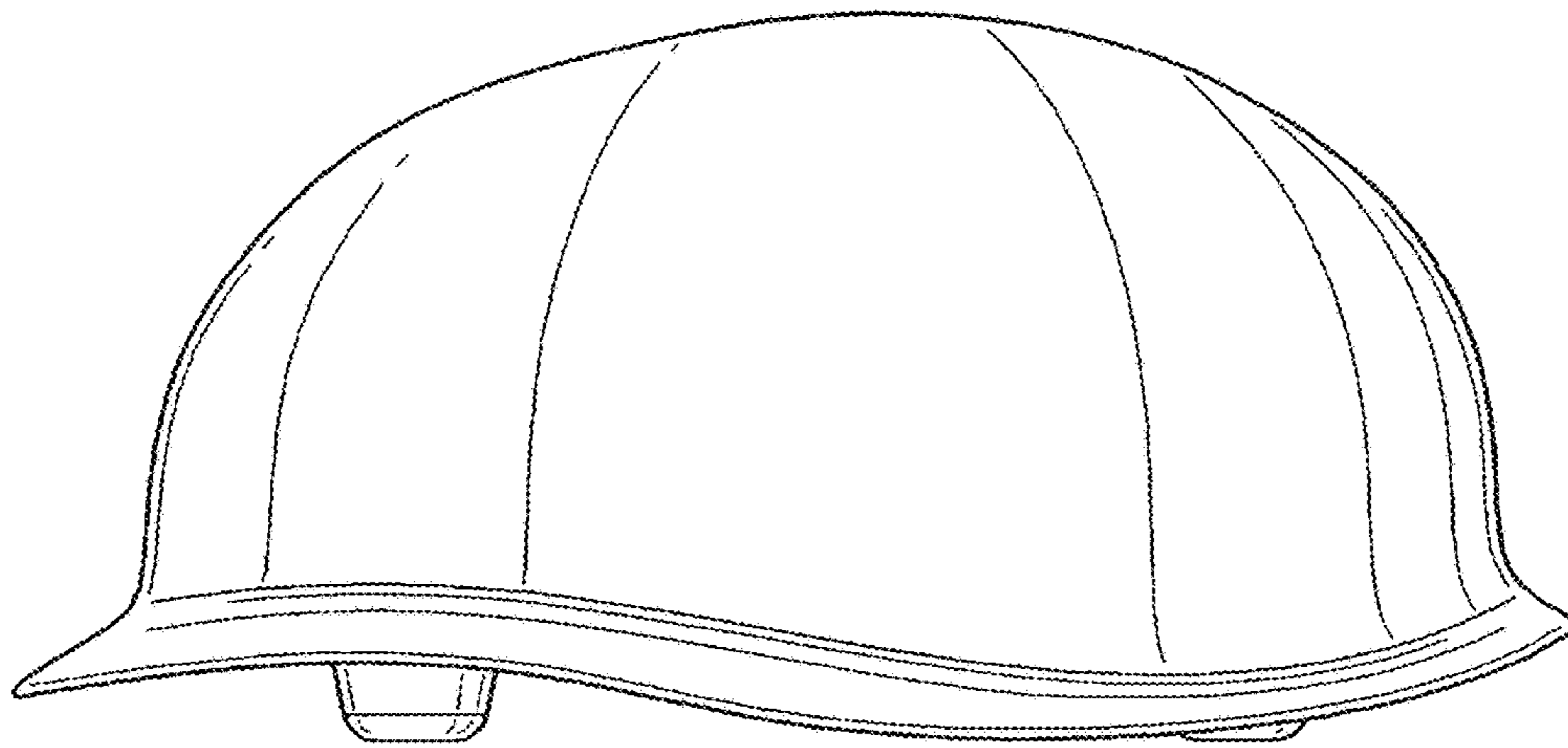


FIG. 5

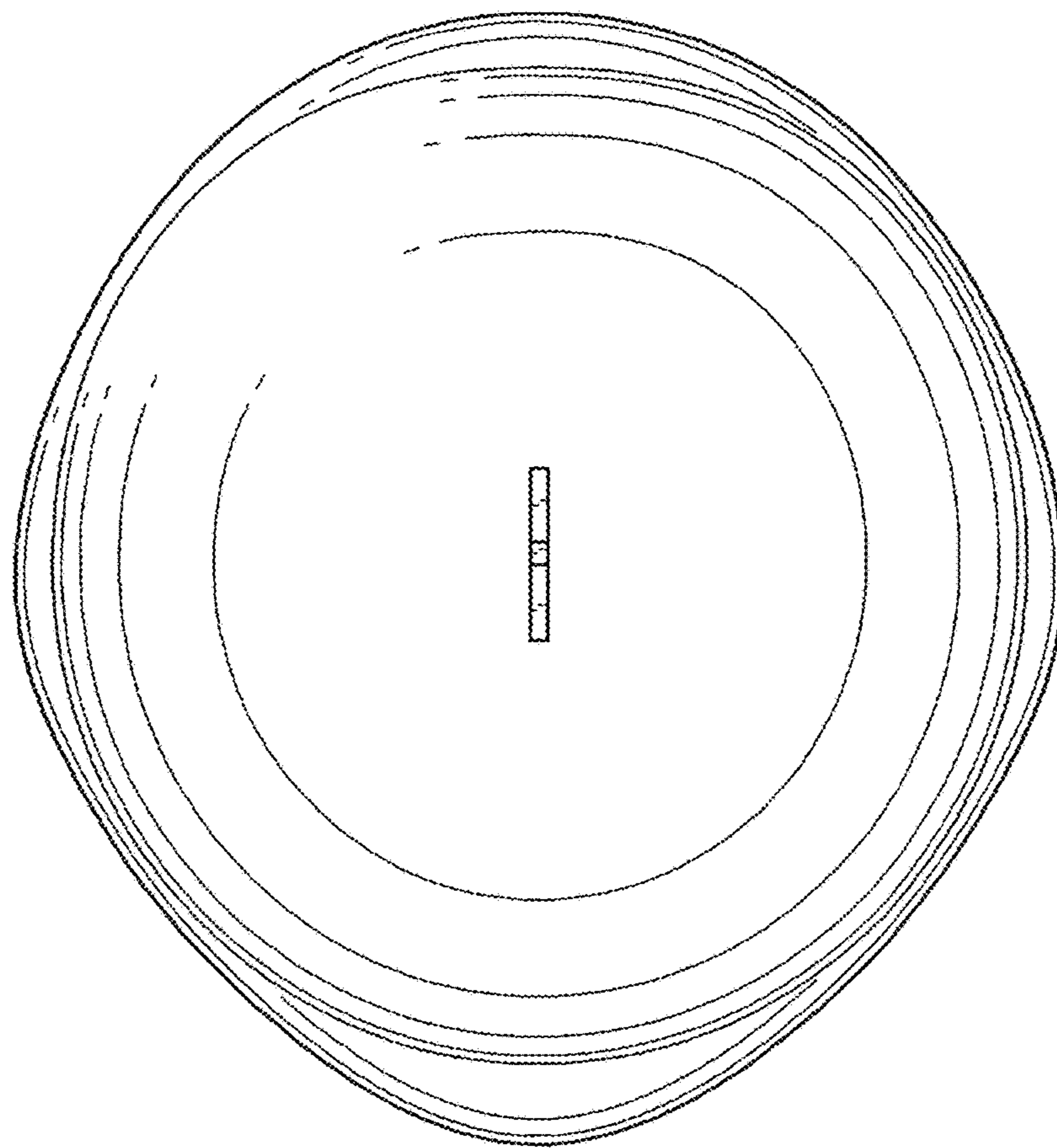


FIG. 6

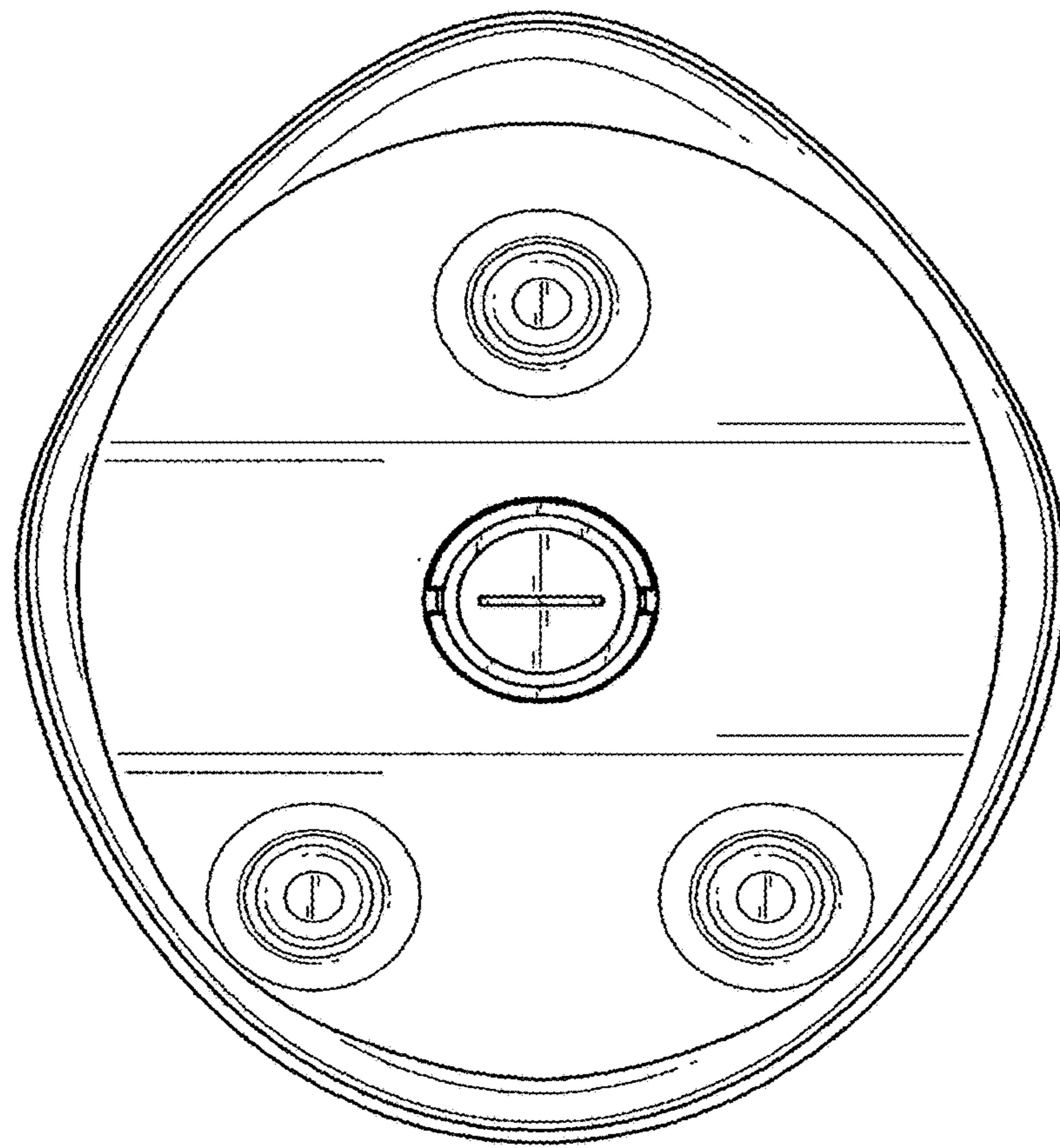


FIG. 7