



US00D855278S

(12) **United States Design Patent**
Eickhof et al.

(10) **Patent No.:** **US D855,278 S**

(45) **Date of Patent:** **** *Jul. 30, 2019**

(54) **TAPERED COLUMBARIUM**

(71) Applicant: **Eickhof Columbaria, inc.**, Crookston, MN (US)

(72) Inventors: **Paul M Eickhof**, Crookston, MN (US);
Blair Hines, Brookline, MA (US)

(73) Assignee: **Eickhof Columbaria, Inc.**, Crookston, MN (US)

(*) Notice: This patent is subject to a terminal disclaimer.

(**) Term: **15 Years**

(21) Appl. No.: **29/564,612**

(22) Filed: **May 13, 2016**

(51) **LOC (11) Cl.** **99-00**

(52) **U.S. Cl.**
USPC **D99/17; D99/5**

(58) **Field of Classification Search**
USPC **D99/19, 17, 5; D25/6, 55, 128; 52/103, 52/133, 136, 128, 134, 142, 27, 124.1,**
(Continued)

(56) **References Cited**

U.S. PATENT DOCUMENTS

879,753 A * 2/1908 Eckert 220/8
980,750 A * 1/1911 Blyth E04H 13/006
109/78

(Continued)

OTHER PUBLICATIONS

http://eickhofcolumbaria.com/projects/antioch_ossuarium—
Antioch Ossuarium, printed from Eickhof Columbaria website Aug. 2016.

(Continued)

Primary Examiner — Paula Allen Greene

(74) *Attorney, Agent, or Firm* — Merchant & Gould P.C.

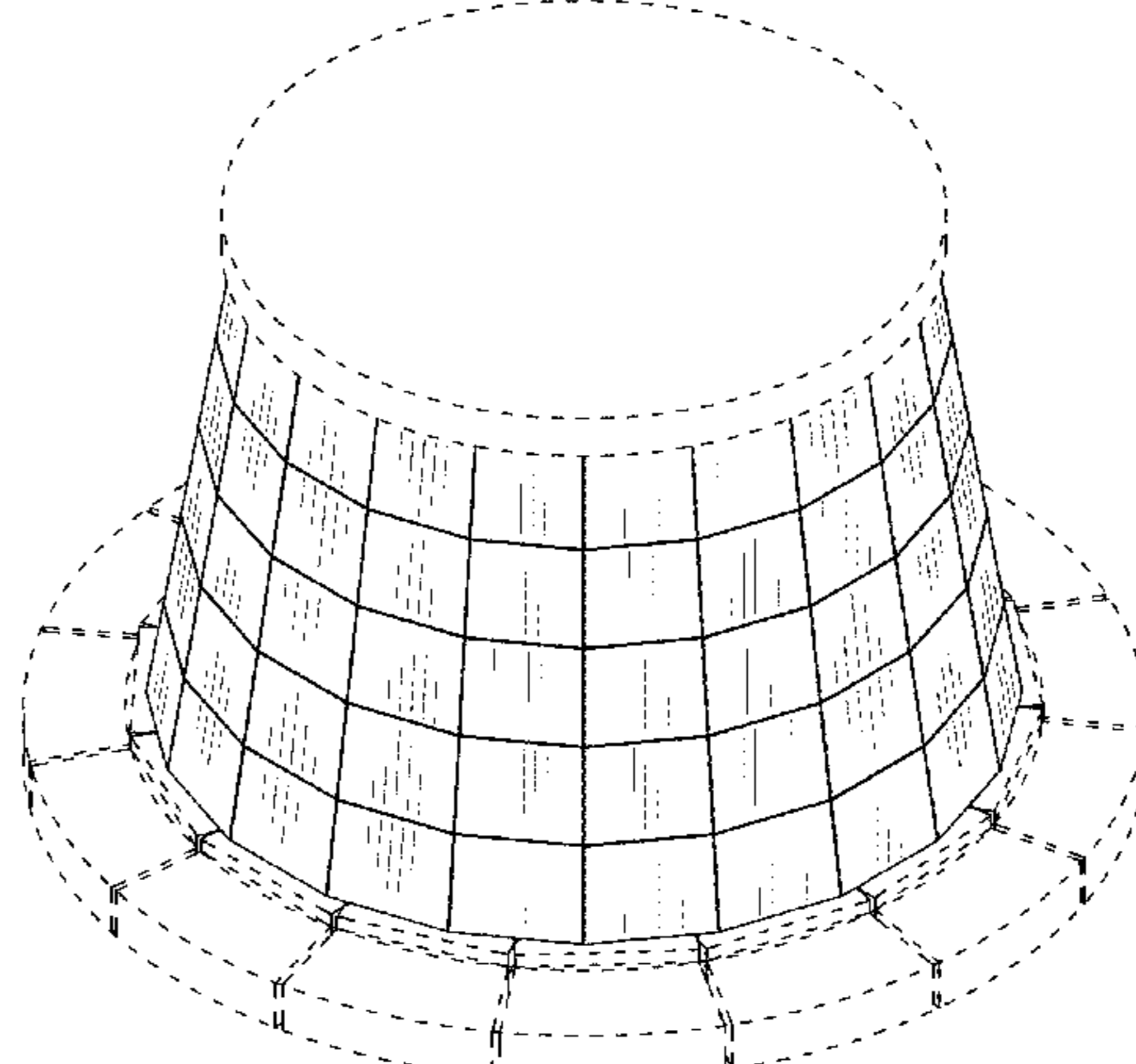
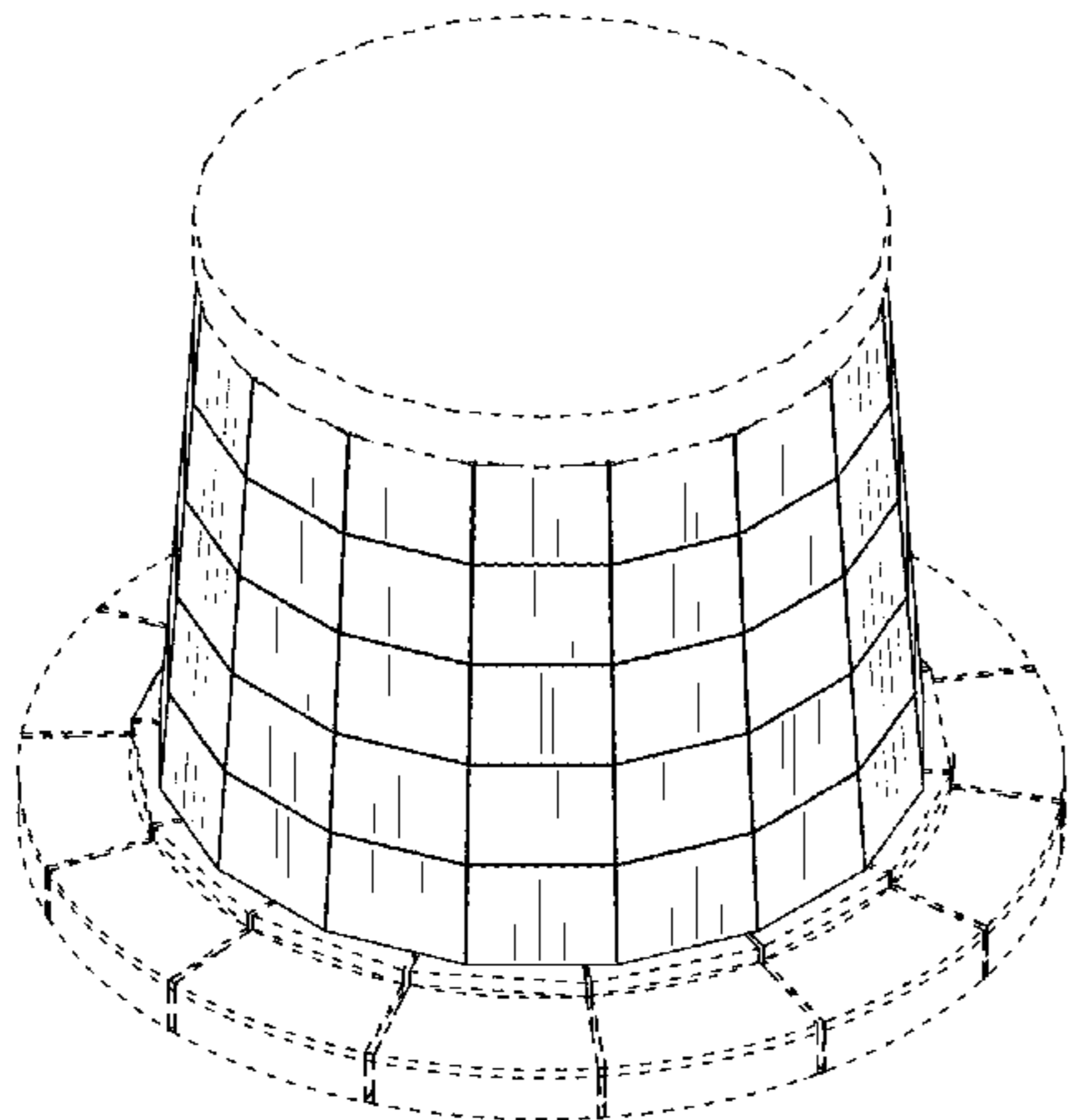
(57) **CLAIM**

The ornamental design for a tapered columbarium, as shown and described.

DESCRIPTION

FIG. 1 is a perspective view of a first embodiment of a tapered columbarium;
FIG. 2 is a front elevational view thereof;
FIG. 3 is a rear elevational view thereof;
FIG. 4 is a left side elevational view thereof;
FIG. 5 is a right side elevational view thereof;
FIG. 6 is a top plan view thereof;
FIG. 7 is a bottom plan view thereof;
FIG. 8 is a perspective view of a second embodiment of a tapered columbarium;
FIG. 9 is a front elevational view thereof;
FIG. 10 is a rear elevational view thereof;
FIG. 11 is a left side elevational view thereof;
FIG. 12 is a right side elevational view thereof;
FIG. 13 is a top plan view thereof;
FIG. 14 is a bottom plan view thereof;
FIG. 15 is a perspective view of a third embodiment of a tapered columbarium;
FIG. 16 is a front elevational view thereof;
FIG. 17 is a rear elevational view thereof;
FIG. 18 is a left side elevational view thereof;
FIG. 19 is a right side elevational view thereof;
FIG. 20 is a top plan view thereof;
FIG. 21 is a bottom plan view thereof;
FIG. 22 is a perspective view of a fourth embodiment of a tapered columbarium;
FIG. 23 is a front elevational view thereof;
FIG. 24 is a rear elevational view thereof;
FIG. 25 is a left side elevational view thereof;
FIG. 26 is a right side elevational view thereof;
FIG. 27 is a top plan view thereof; and,
FIG. 28 is a bottom plan view thereof.
The broken lines depict environment that form no part of the claimed design.

1 Claim, 28 Drawing Sheets



(58) **Field of Classification Search**

USPC 52/132; 40/124.5; 27/1; 220/23.88;
312/111; D7/600.4; D30/129; D9/638,
D9/773, 430; D21/388, 451; 119/52.1;
D6/689, 686; 114/74 A; 211/82.27;
109/78
CPC A61G 17/08; A61G 17/00; E04H 13/00
See application file for complete search history.

(56) **References Cited**

U.S. PATENT DOCUMENTS

1,093,873 A * 4/1914 Mitchell B65D 21/086
220/8
1,137,462 A * 4/1915 Clark A47J 36/08
210/469
D71,042 S * 9/1926 Atterholt D7/531
D75,980 S * 8/1928 Pfeiffer D9/430
D86,585 S * 3/1932 Smith D25/22
D104,741 S * 6/1937 Grubbs D99/17
2,443,320 A * 6/1948 Meyer A47F 3/08
211/1.53
2,570,376 A * 10/1951 Quist H05B 3/342
119/52.1
D183,296 S * 8/1958 Armato D10/77
2,924,352 A * 2/1960 Santner G01M 3/04
220/565
2,925,213 A * 2/1960 Zukoski B65D 5/2033
229/109
2,928,565 A * 3/1960 Glasoe, Jr. B65D 90/06
114/74 A
D188,135 S * 6/1960 Koenig D25/7
3,012,539 A * 12/1961 Warren A01K 39/012
119/52.1
3,174,675 A * 3/1965 Rosenburg, Jr. B65D 5/3614
229/108.1
3,295,271 A * 1/1967 Dorris E04H 13/00
52/124.1
D208,872 S * 10/1967 Davis D7/531
3,471,058 A * 10/1969 Latham B65D 21/086
190/107
3,529,879 A * 9/1970 Priest A47B 87/02
312/111
3,838,266 A * 9/1974 Jonathan A47F 11/10
312/117
3,925,944 A * 12/1975 Pickel E04H 13/006
52/133
3,928,287 A * 12/1975 Jellinek C08F 18/22
252/183.11
4,023,316 A * 5/1977 Martin E04H 13/006
52/100
D266,621 S * 10/1982 Barberena D25/6
D266,622 S * 10/1982 Barberena D25/6
D266,623 S * 10/1982 Barberena D25/6
4,377,191 A * 3/1983 Yamaguchi B65D 1/14
220/665
D272,577 S * 2/1984 Dercks D99/5
4,548,324 A * 10/1985 Mackey, Jr. A47F 5/02
211/129.1
4,648,219 A * 3/1987 Johnston, Sr. E04H 13/00
52/125.2
D318,691 S * 7/1991 Ryason D20/4

D332,203 S * 1/1993 Fernandez-Guthrie D7/512
D353,679 S * 12/1994 Corva D25/1
5,622,014 A * 4/1997 Weiss A61G 17/08
52/105
D380,064 S * 6/1997 Huang D28/87
5,692,344 A * 12/1997 Zarth E04H 13/006
27/1
D395,121 S * 6/1998 Eickhof D99/5
5,765,269 A * 6/1998 Zarth E04H 13/006
27/26
5,881,505 A * 3/1999 Larkin, III E04H 13/006
211/85.27
5,899,045 A * 5/1999 Giannarelli E04H 13/006
27/1
5,979,124 A * 11/1999 Branam E04H 13/006
52/134
D451,258 S 11/2001 Carrier
D459,566 S * 6/2002 Spencer D99/17
6,421,890 B1 * 7/2002 Biggar A61G 17/08
220/23.83
D471,341 S 3/2003 Spencer
D471,690 S * 3/2003 Spencer D99/17
6,553,727 B2 * 4/2003 Thomas E04H 13/006
16/49
6,681,534 B2 1/2004 David et al.
6,944,921 B1 * 9/2005 Gersten A61G 17/08
27/1
7,171,733 B2 * 2/2007 Min E04H 13/006
27/1
D541,002 S * 4/2007 Biggar D99/17
D649,324 S * 11/2011 Baldi D99/5
D719,314 S * 12/2014 Reid D99/17
D734,201 S 7/2015 Eickhof et al.
D825,132 S * 8/2018 Eickhof D99/5
2008/0196225 A1 * 8/2008 Pruitt A61G 17/00
27/10
2010/0140279 A1 * 6/2010 Tyson B65D 11/02
220/666

OTHER PUBLICATIONS

http://eickhofcolumbaria.com/projects/winchester_ossuarium—
Winchester Ossuarium, printed from Eickhof Columbaria website
Aug. 2016.
http://eickhofcolumbaria.com/projects/canterbury_ossuarium—
Canterbury Ossuarium, printed from Eickhof Columbaria website
Aug. 2016.
http://eickhofcolumbaria.com/projects/sterling_ossuarium—
Sterling Ossuarium, printed from Eickhof Columbaria website Aug.
2016.
http://eickhofcolumbaria.com/projects/ely_ossuarium—Ely Ossuarium,
printed from Eickhof Columbaria website Aug. 2016.
http://eickhofcolumbaria.com/projects/modified_ely_ossuarium—
Modified Ely Ossuarium, printed from Eickhof Columbaria website
Aug. 2016.
http://eickhofcolumbaria.com/projects/york_ossuarium—York
Ossuarium, printed from Eickhof Columbaria website Aug. 2016.
http://eickhofcolumbaria.com/projects/durham_ossuarium—
Durham Ossuarium, printed from Eickhof Columbaria website Aug.
2016.

* cited by examiner

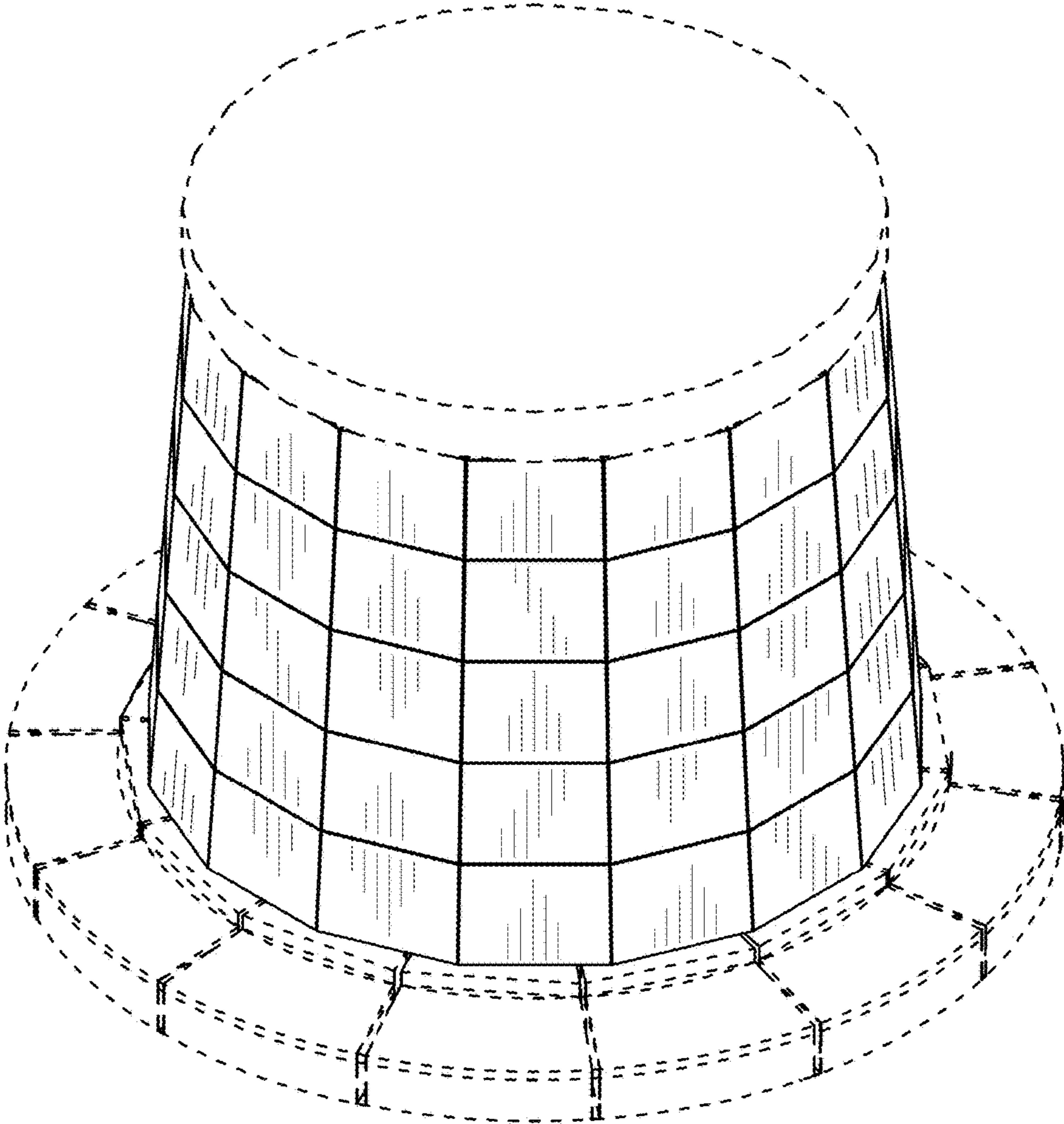


FIG. 1

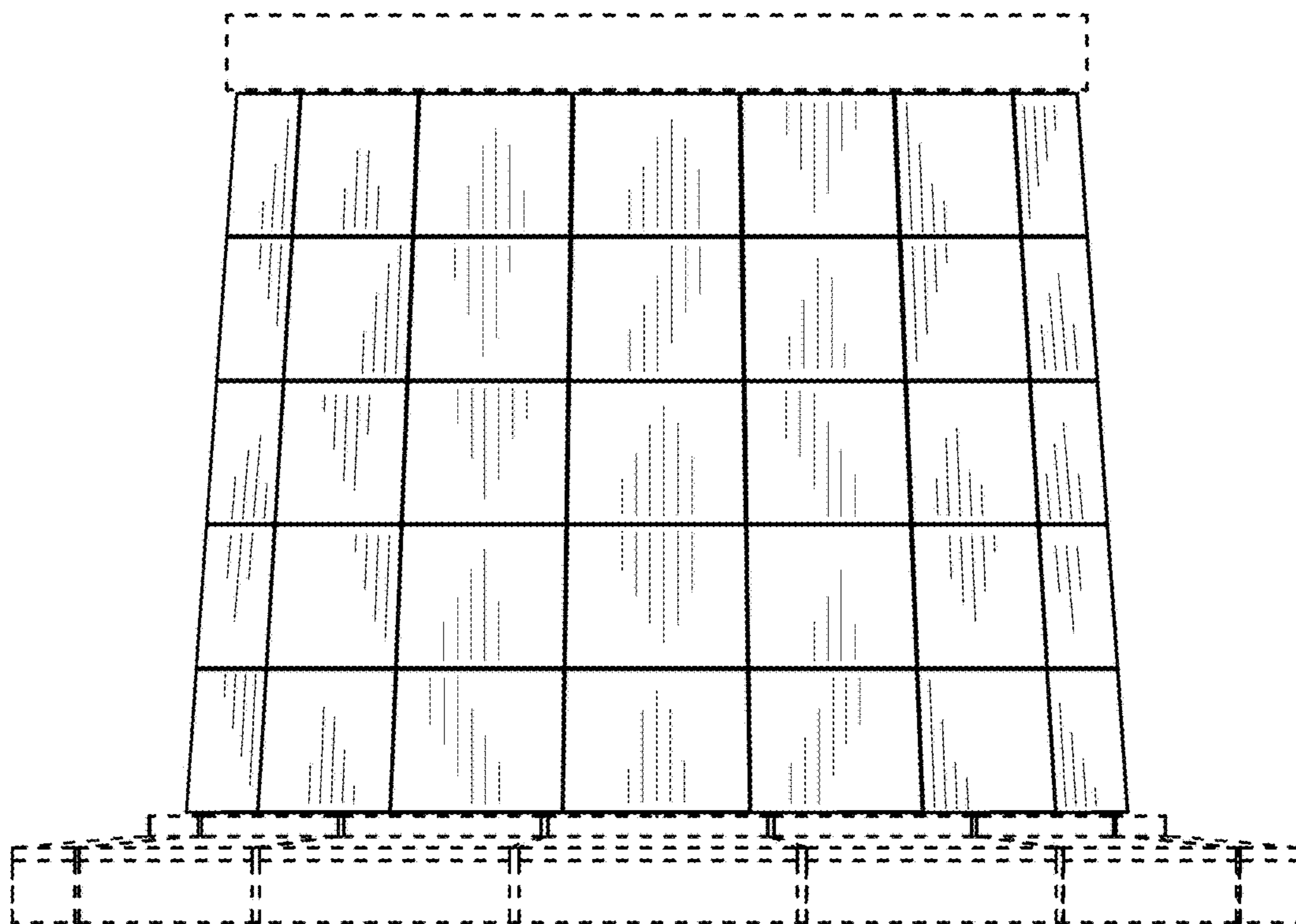


FIG. 2

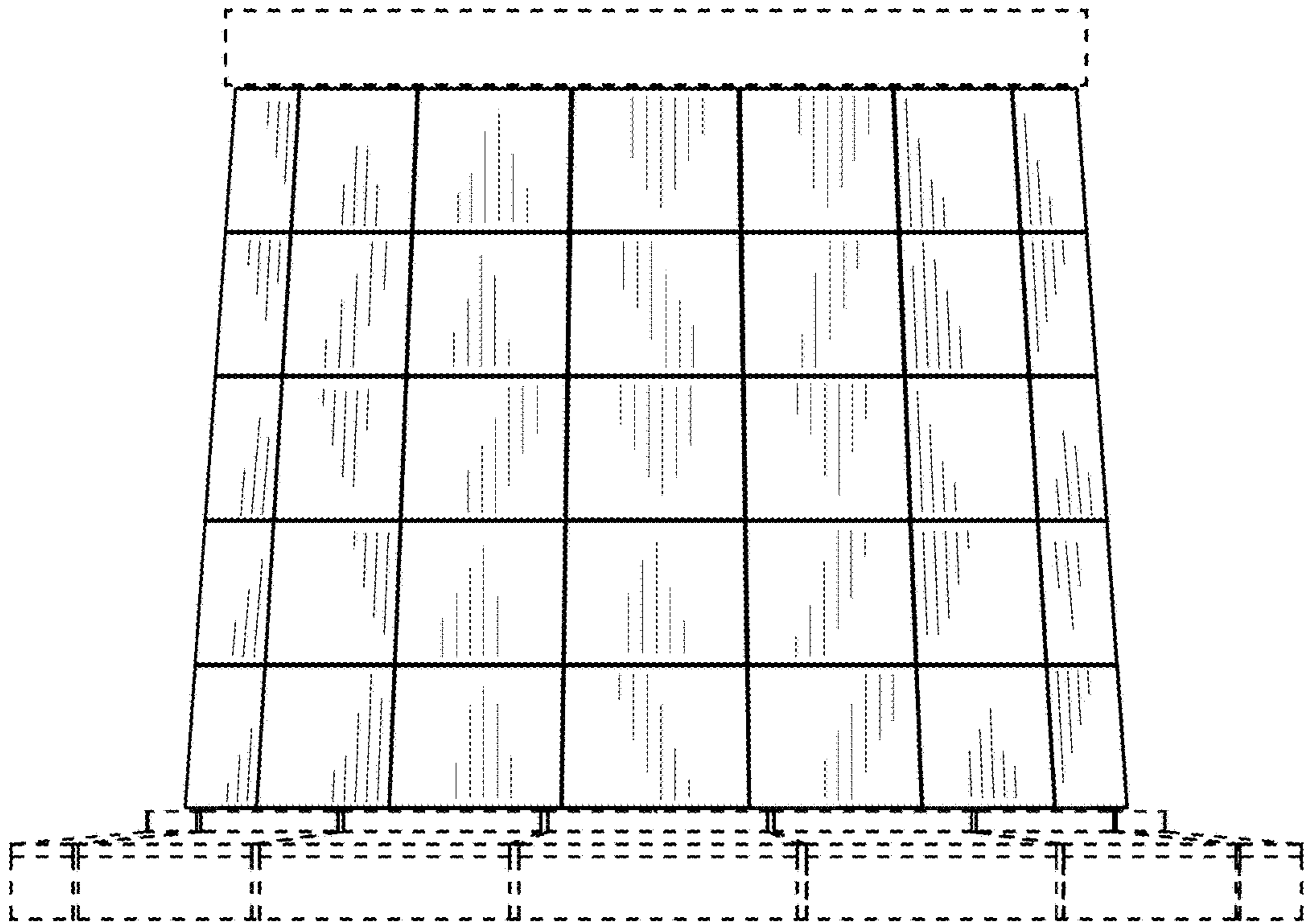


FIG. 3

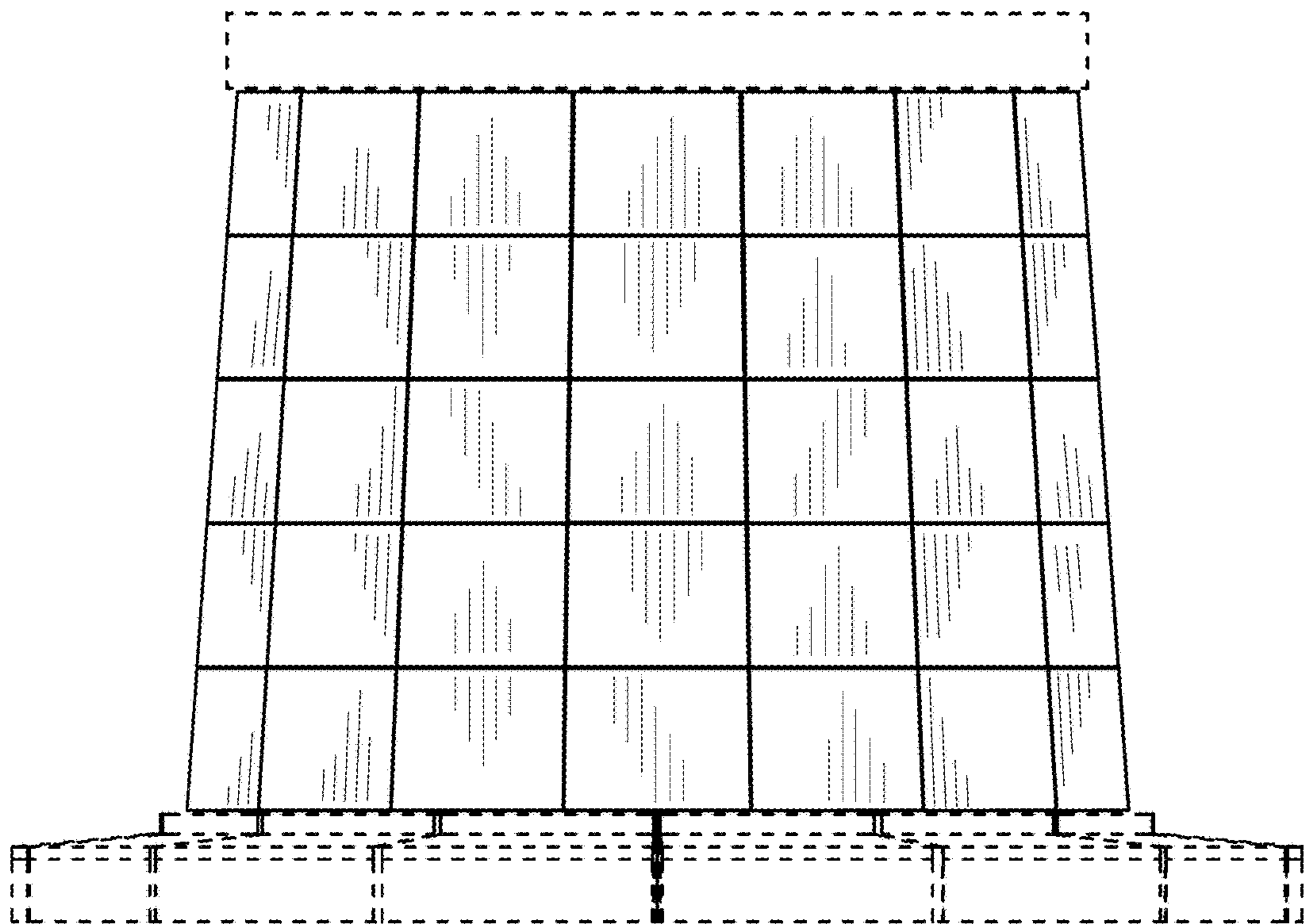


FIG. 4

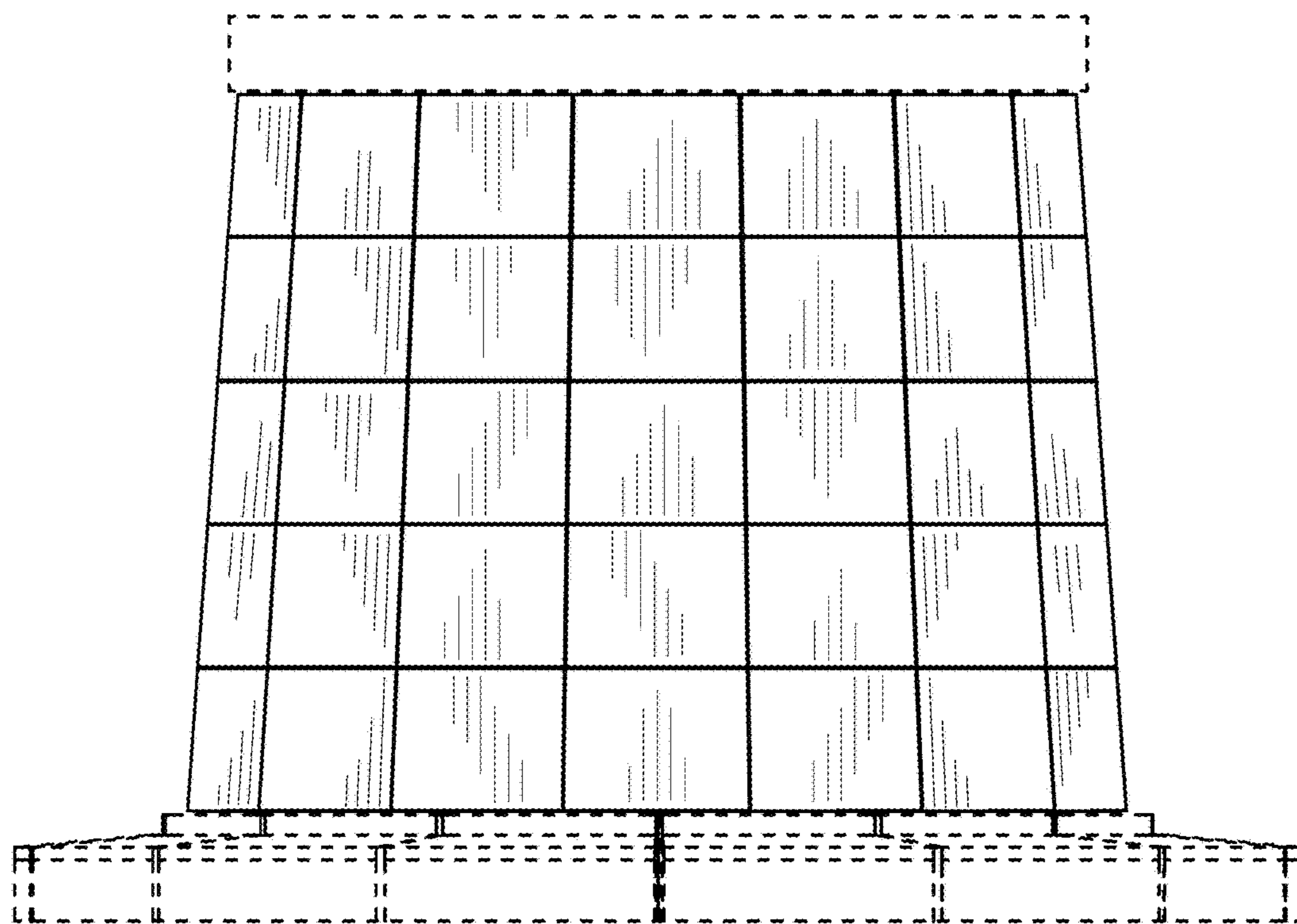


FIG. 5

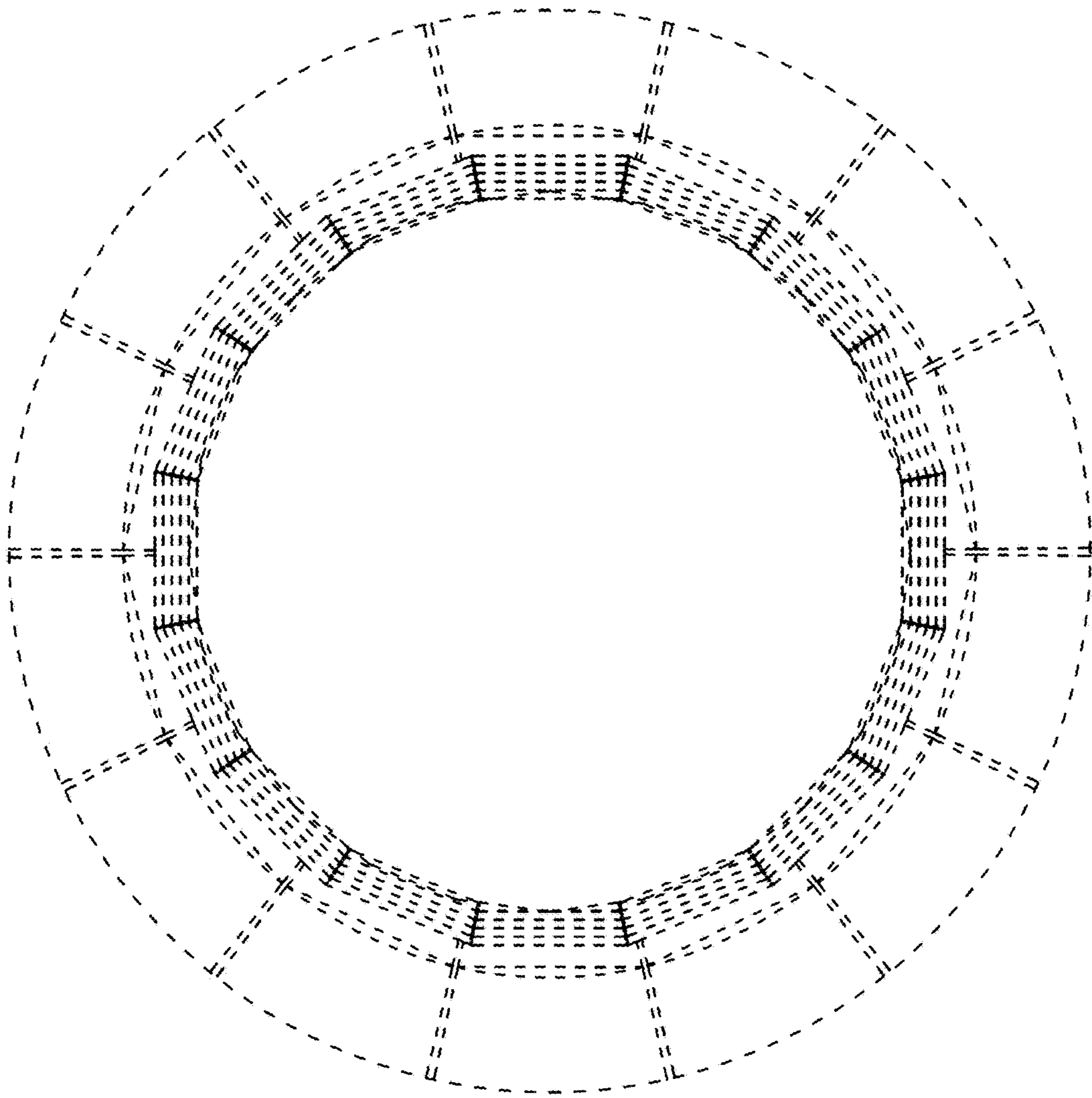


FIG. 6

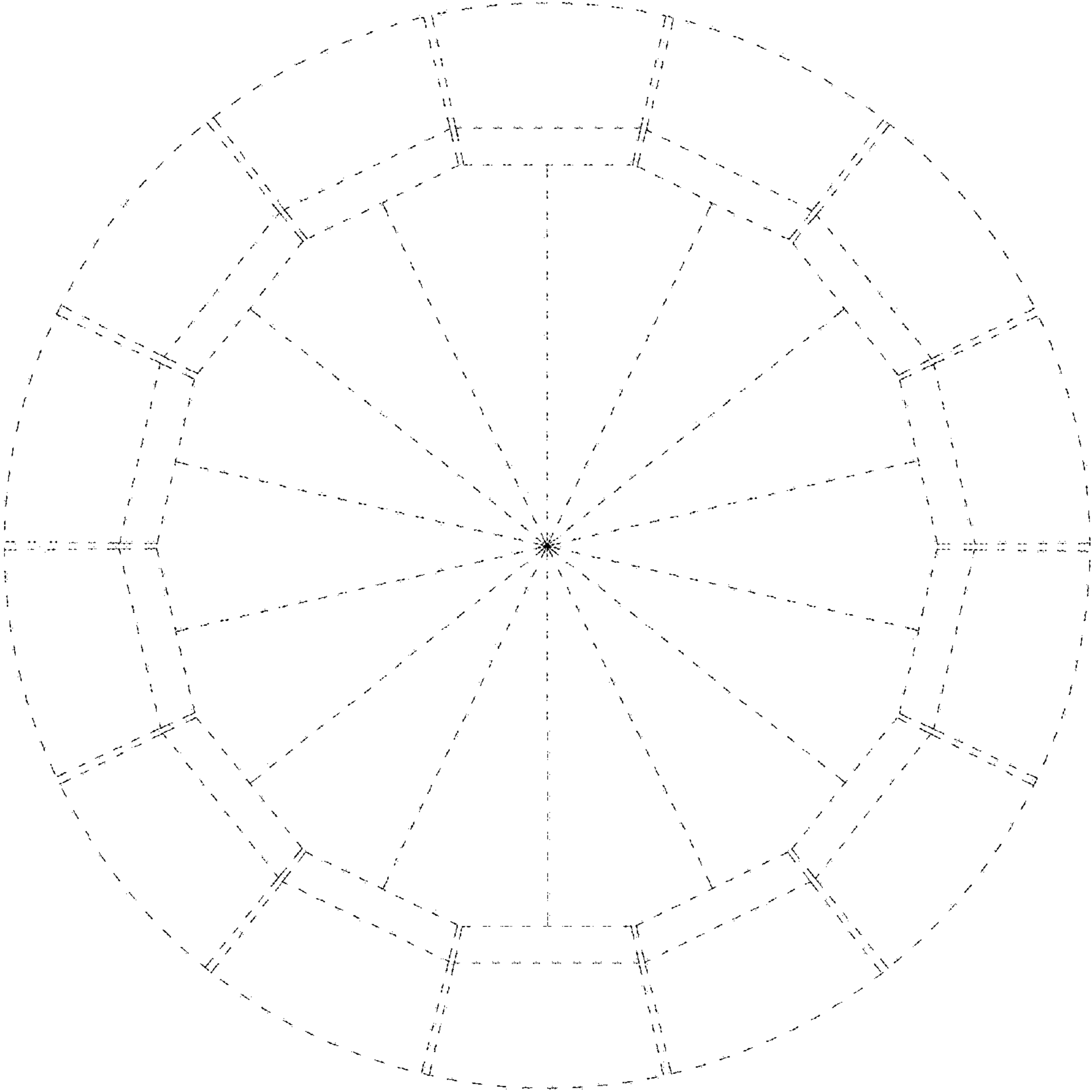


FIG. 7

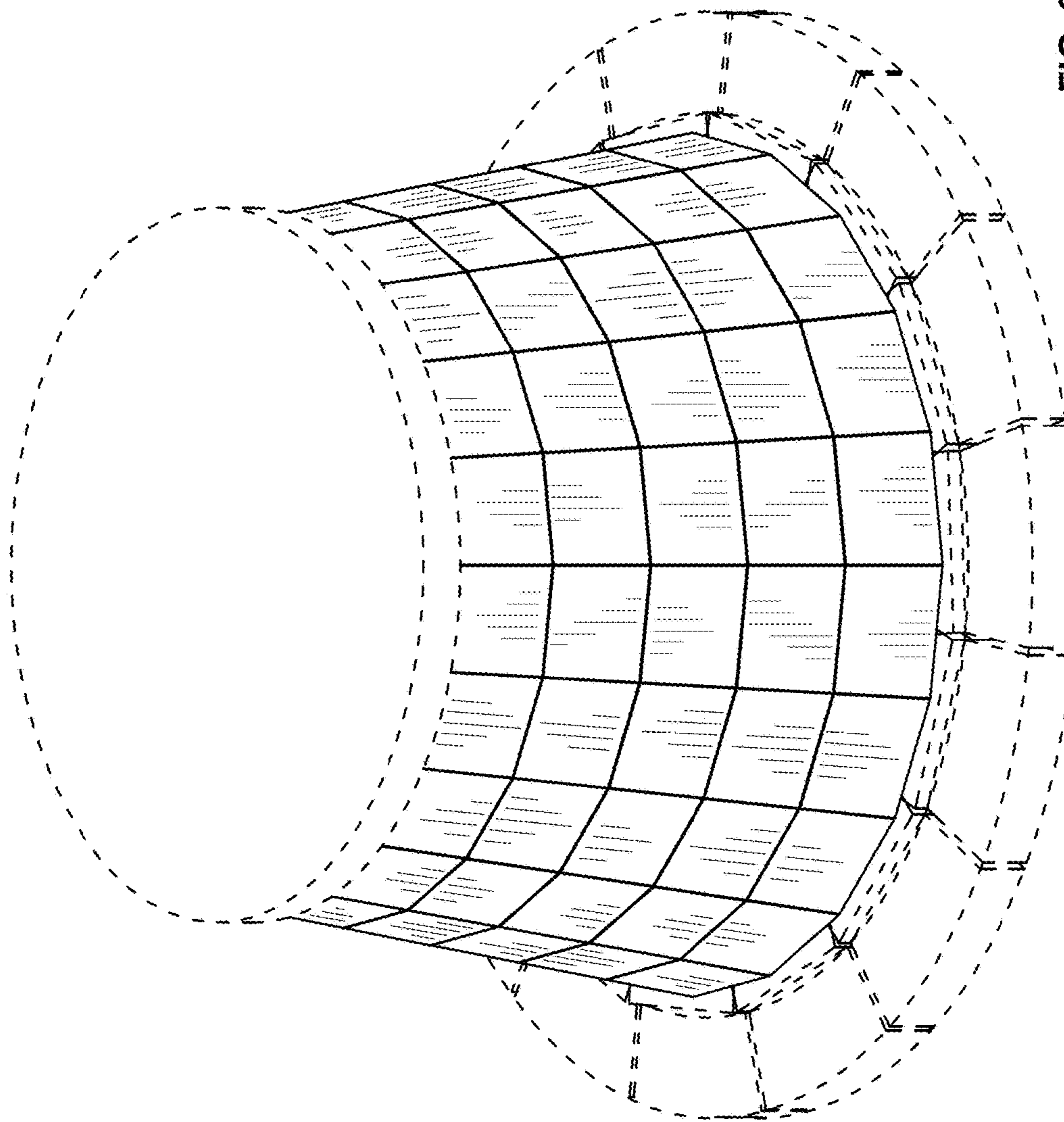


FIG. 8

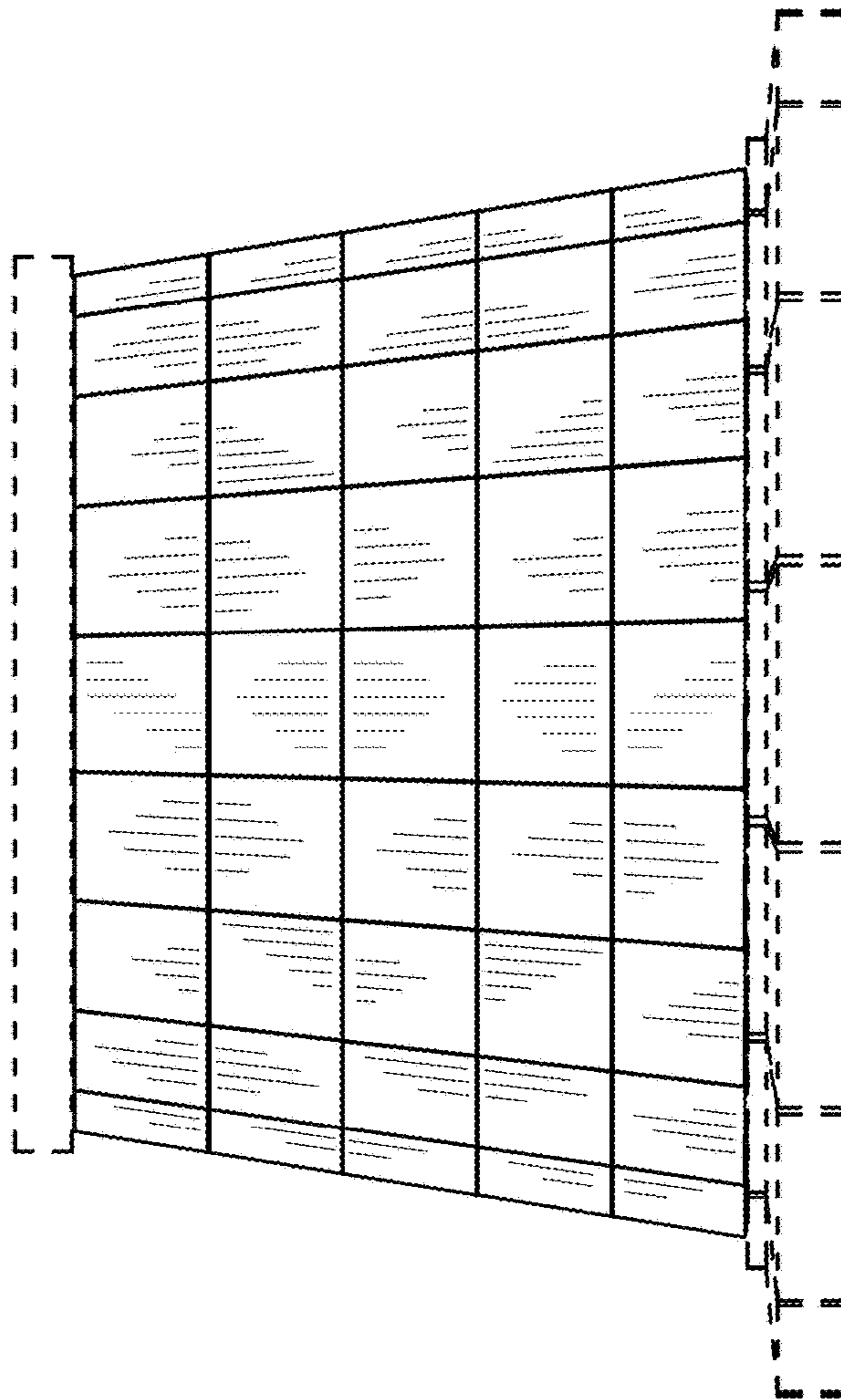


FIG. 9

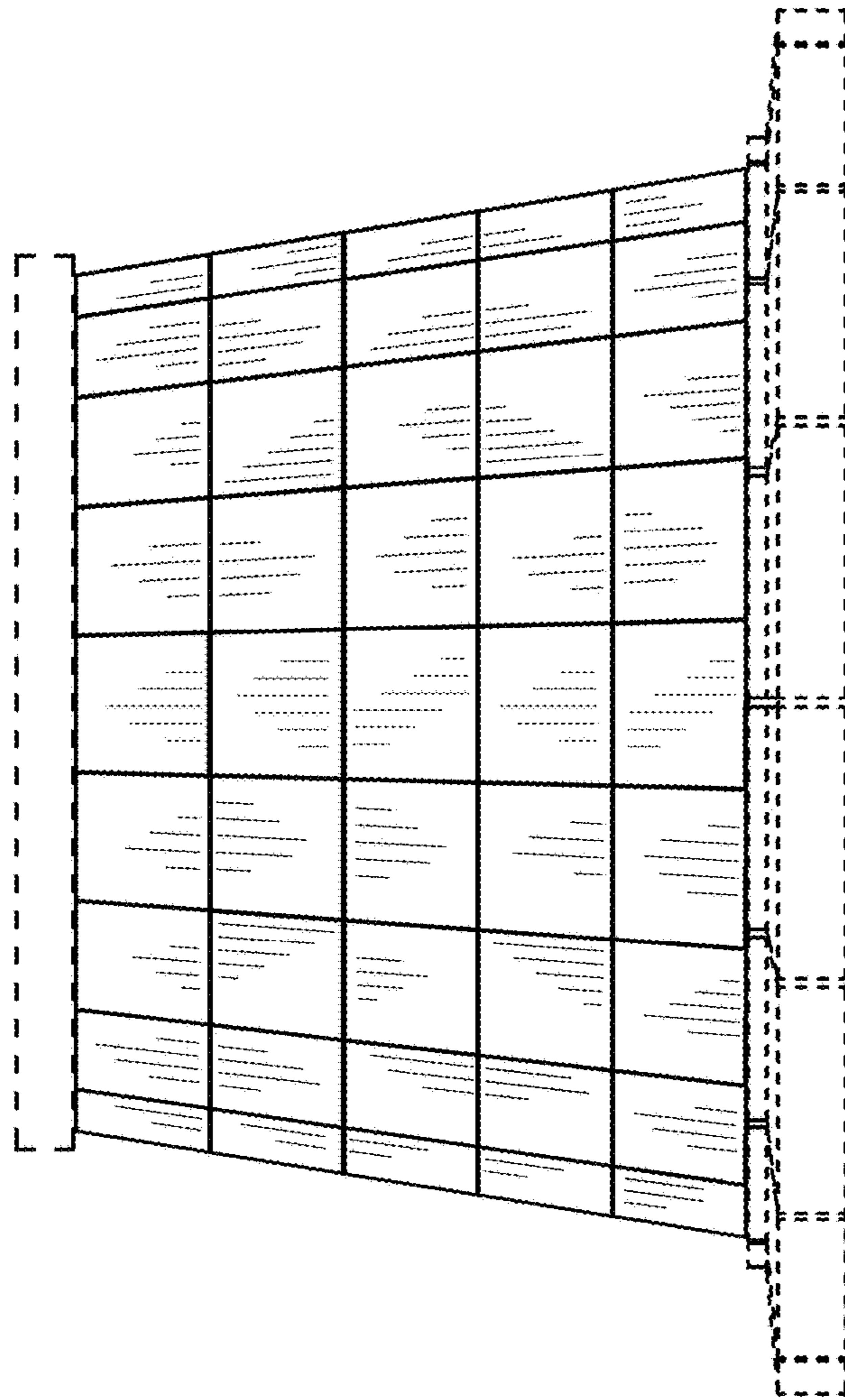


FIG. 10

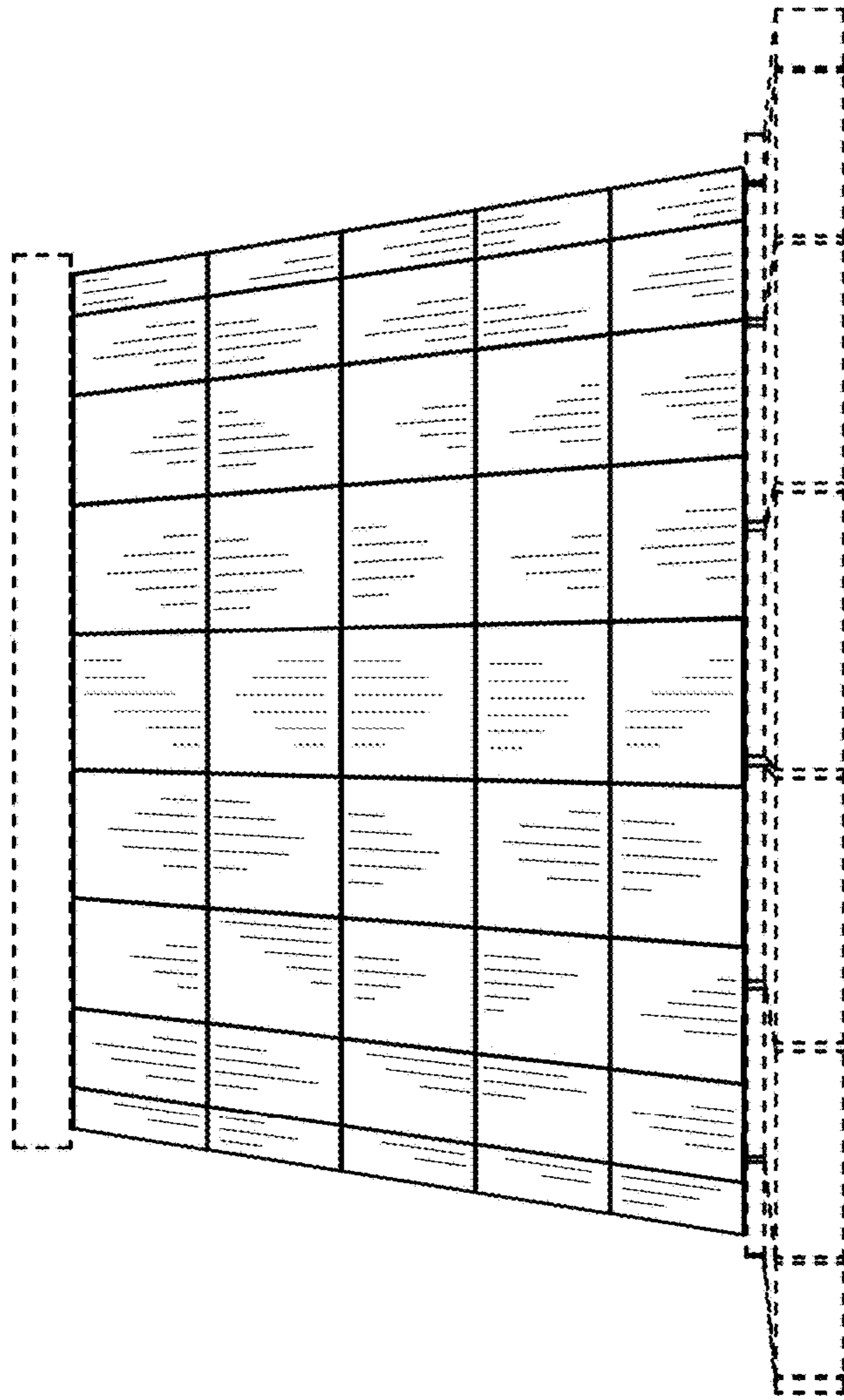


FIG. 11

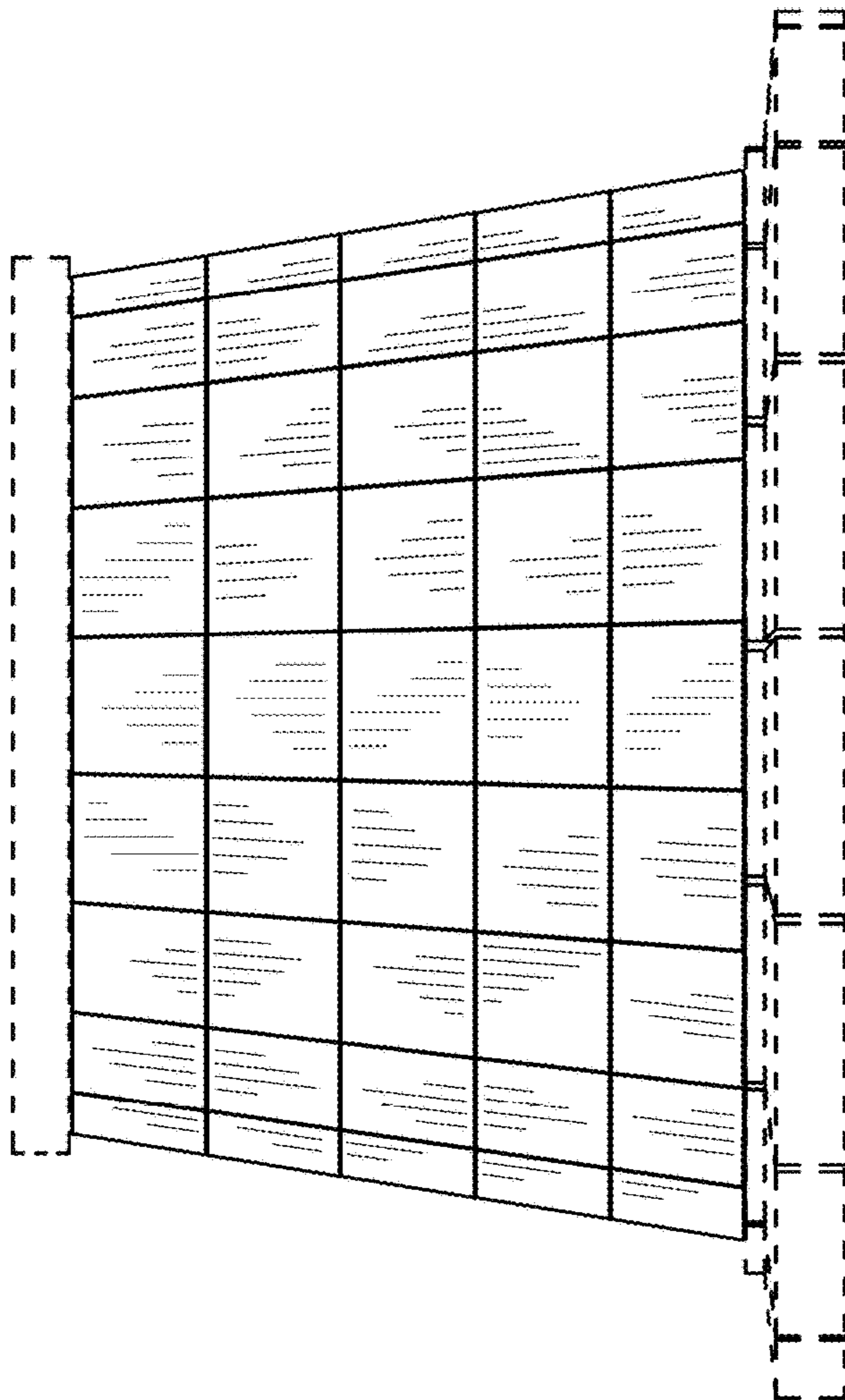


FIG. 12

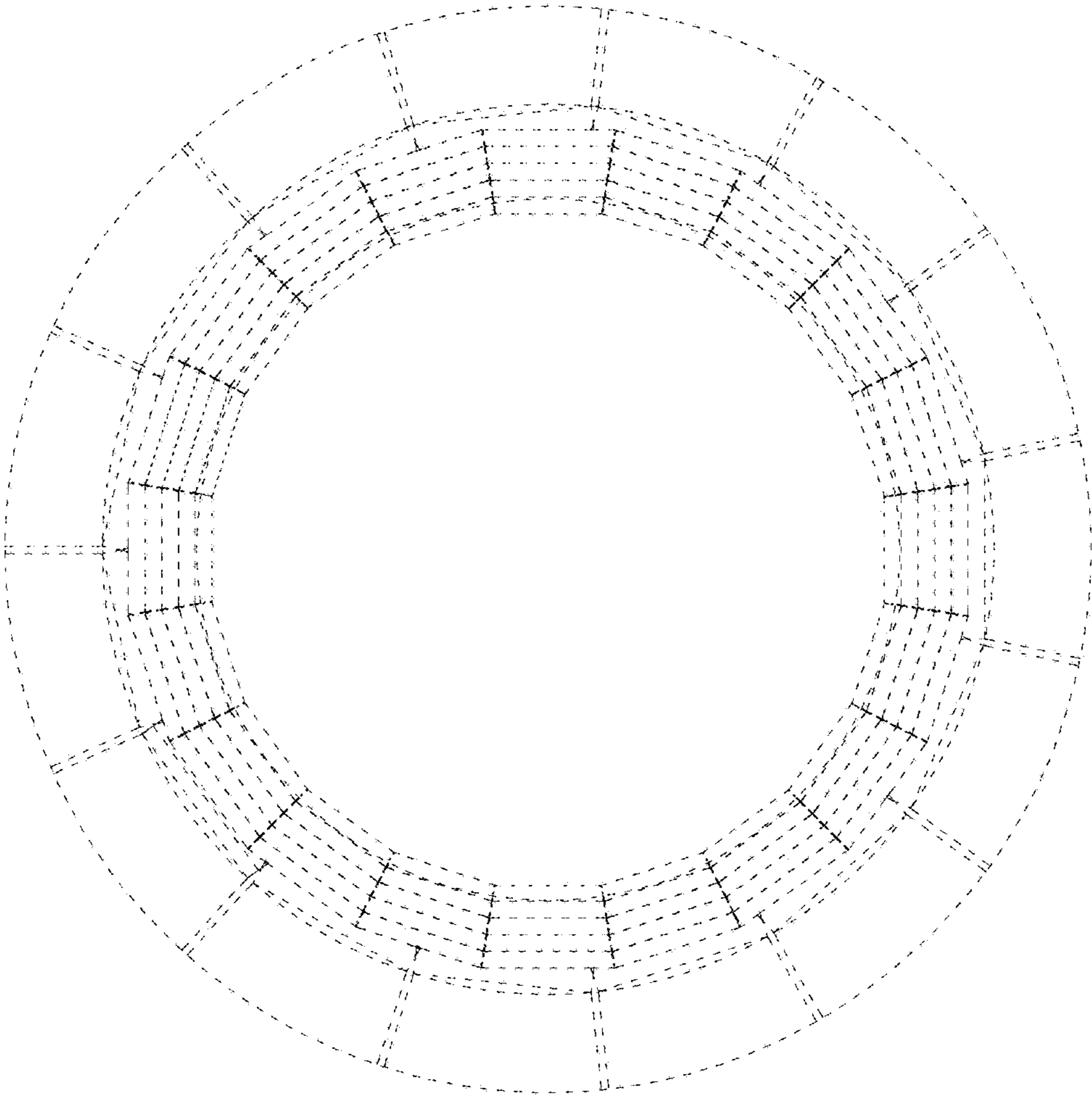


FIG. 13

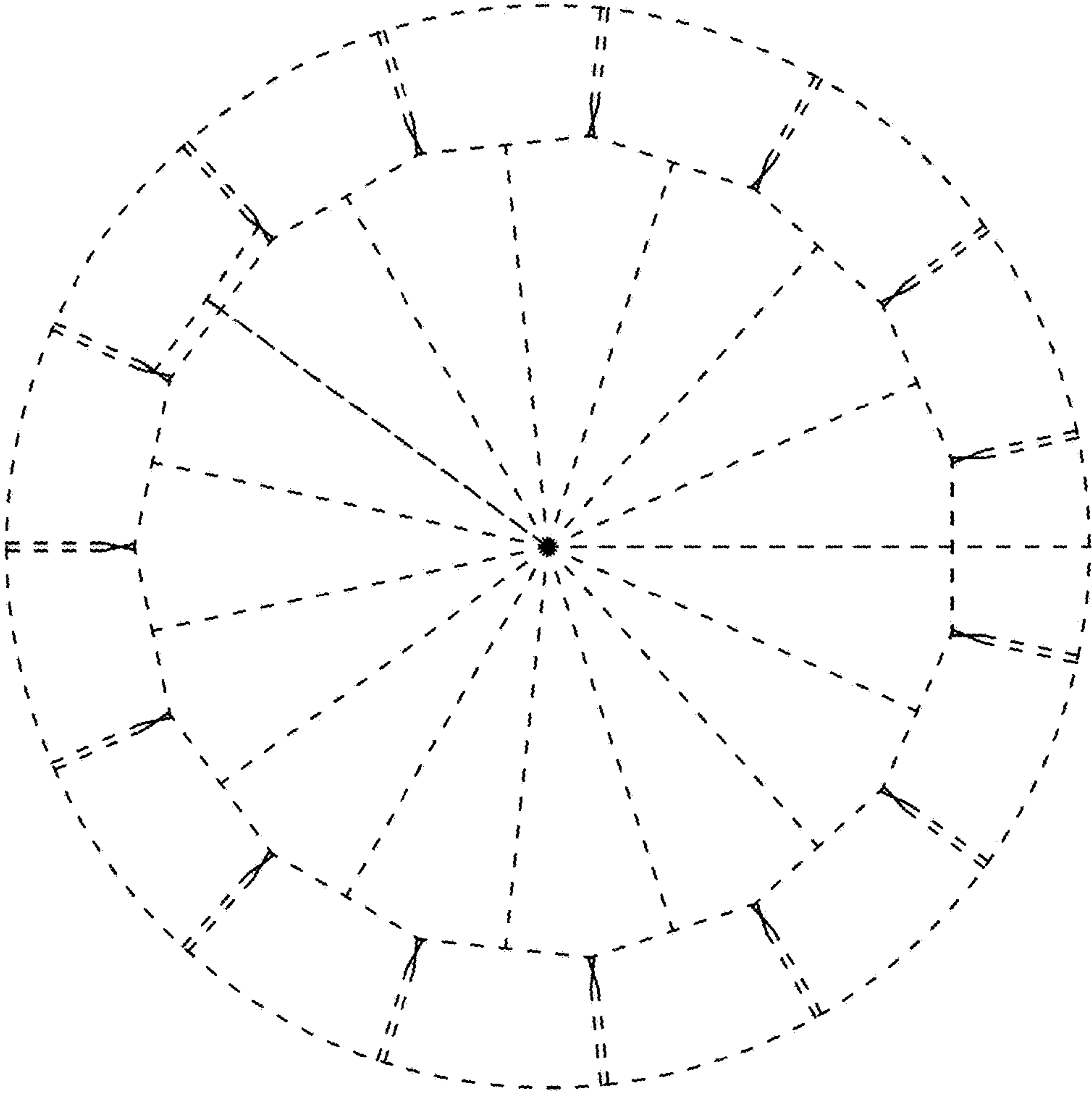


FIG. 14

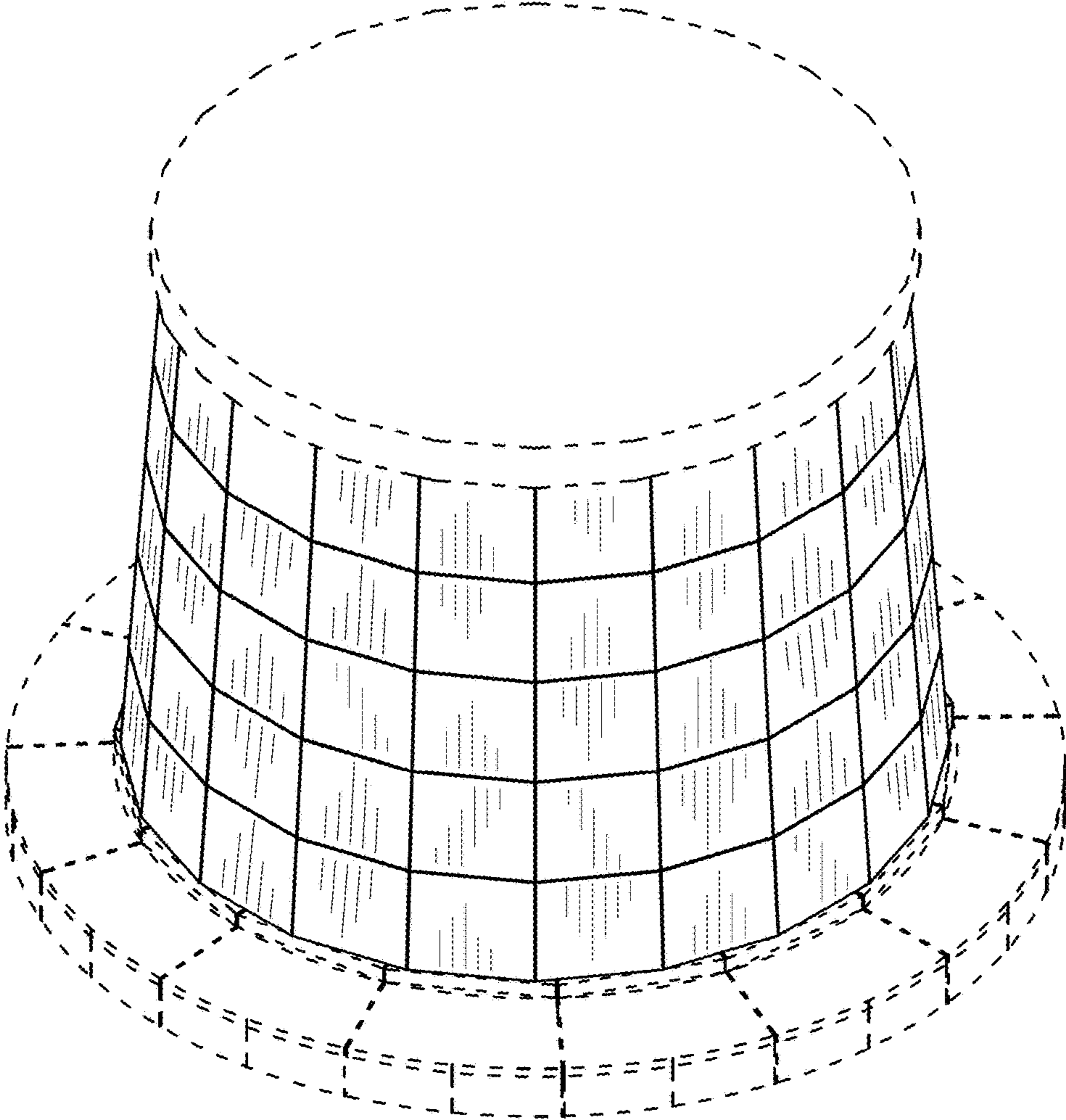


FIG. 15

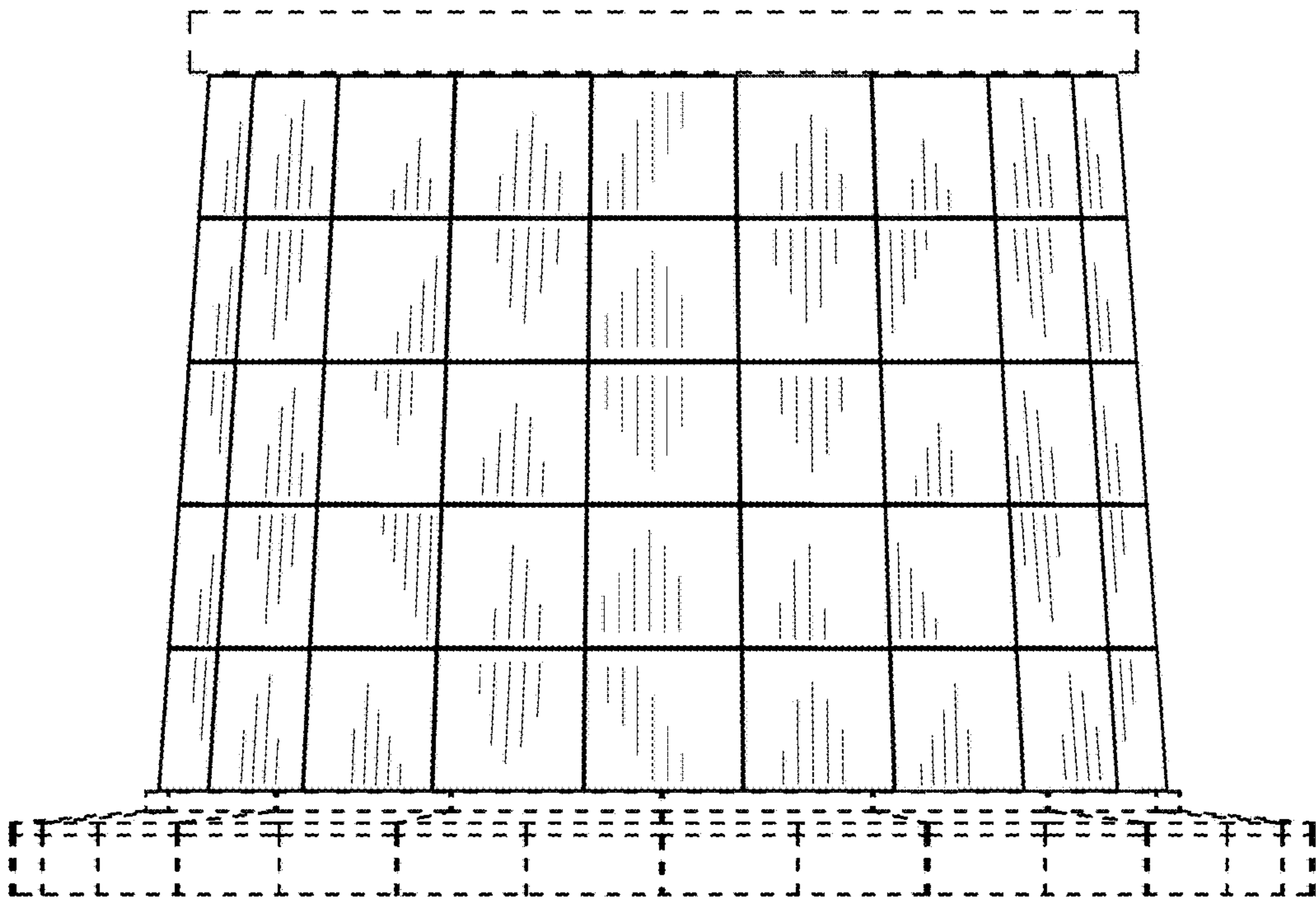


FIG. 16

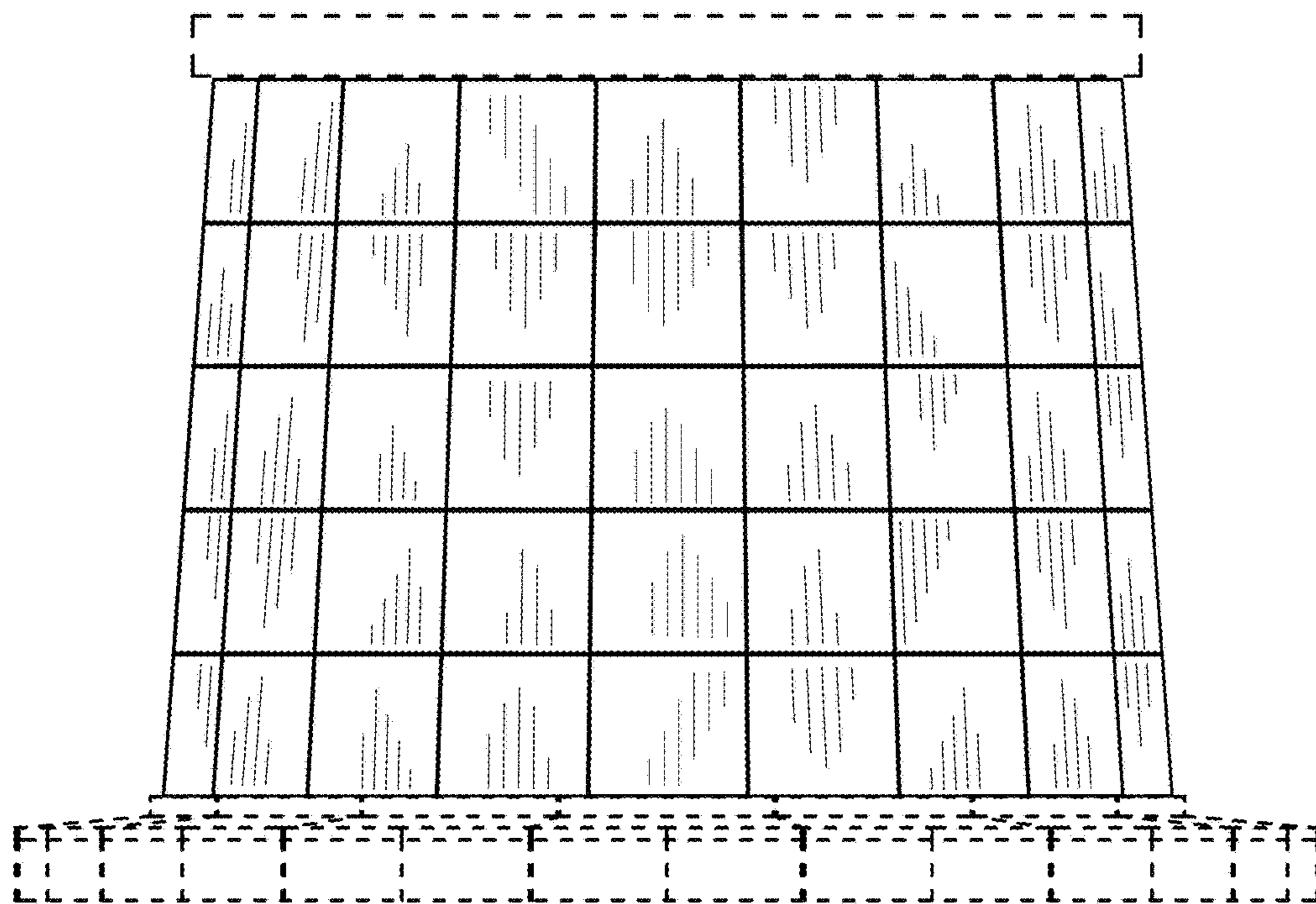


FIG. 17

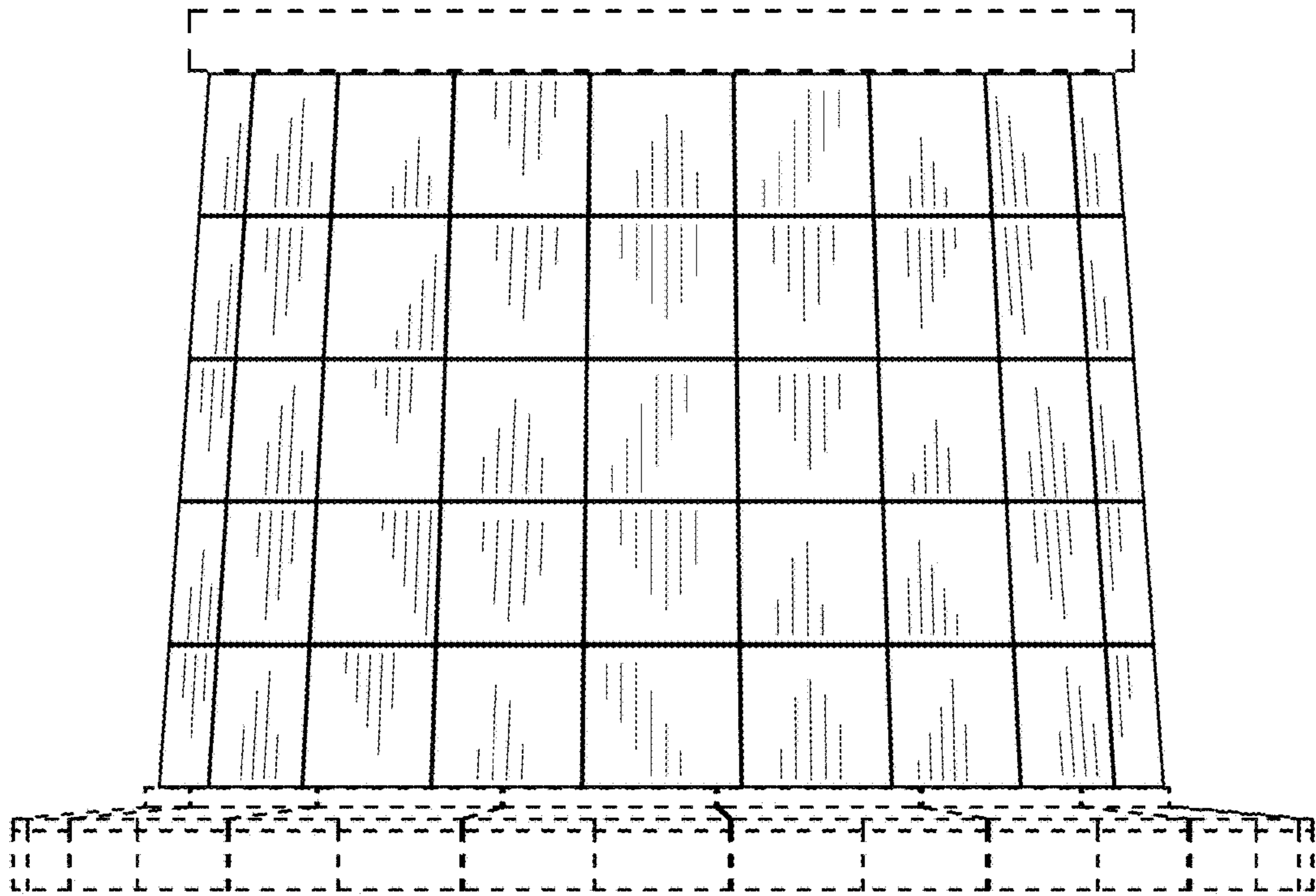


FIG. 18

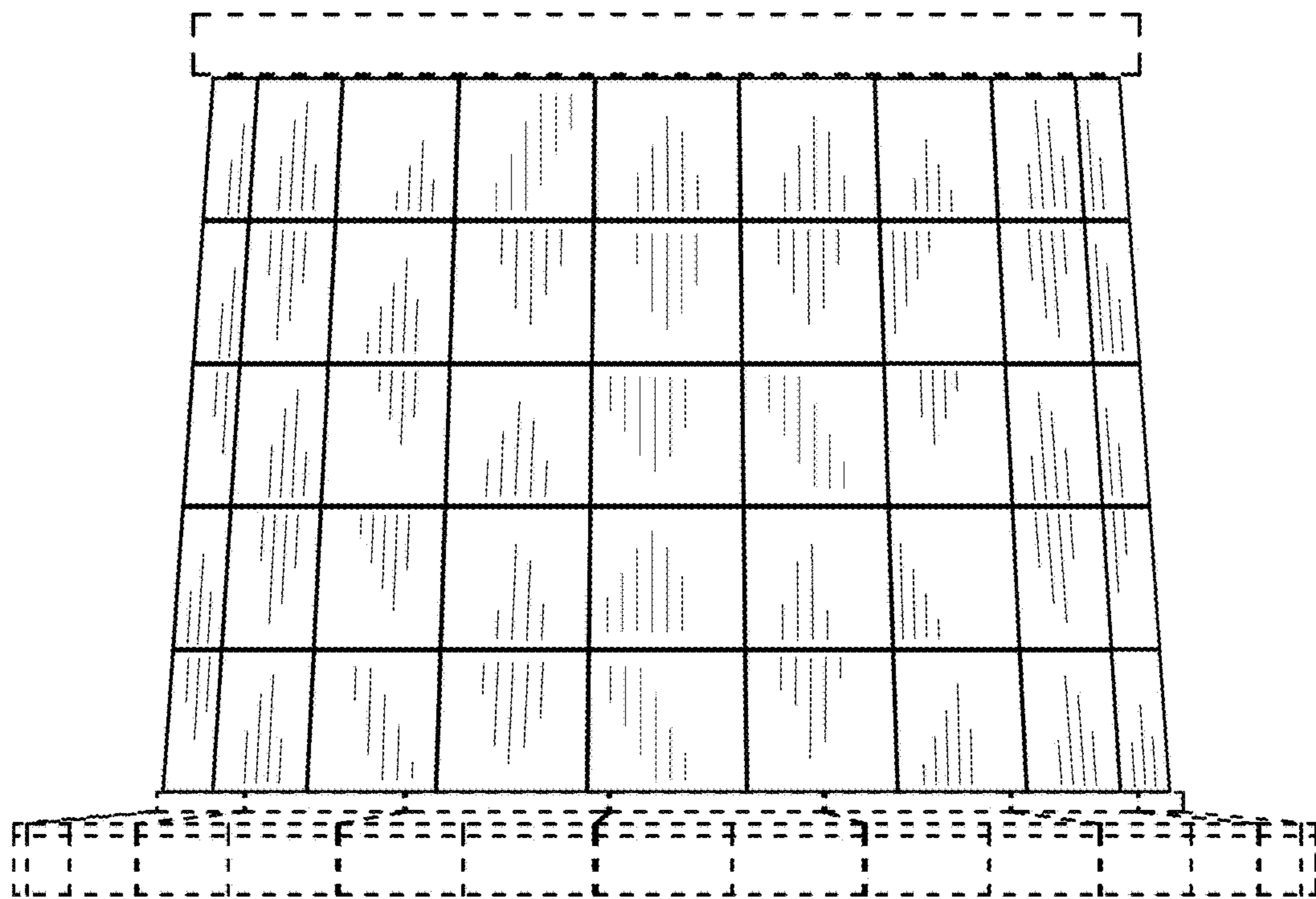


FIG. 19

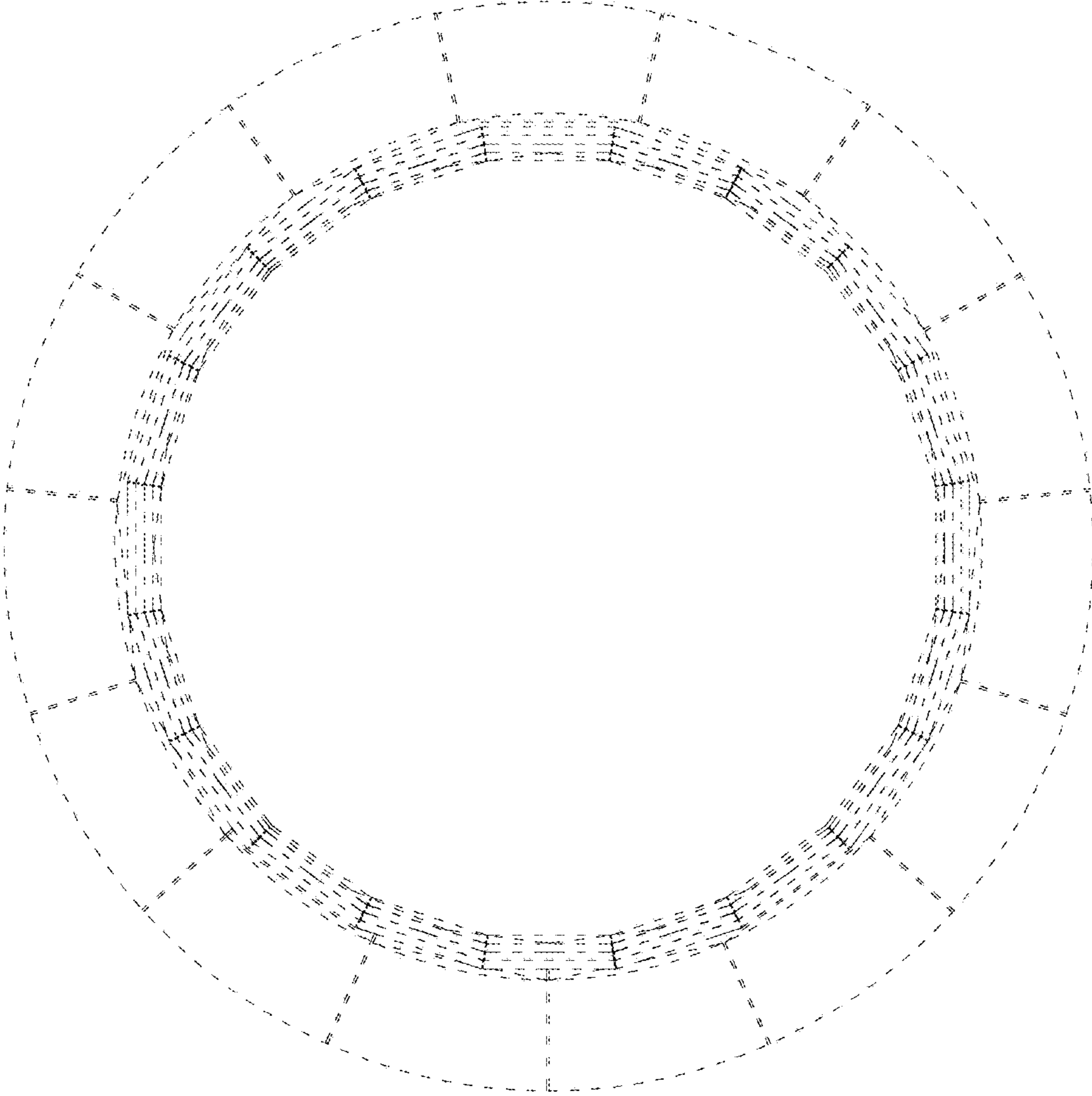


FIG. 20

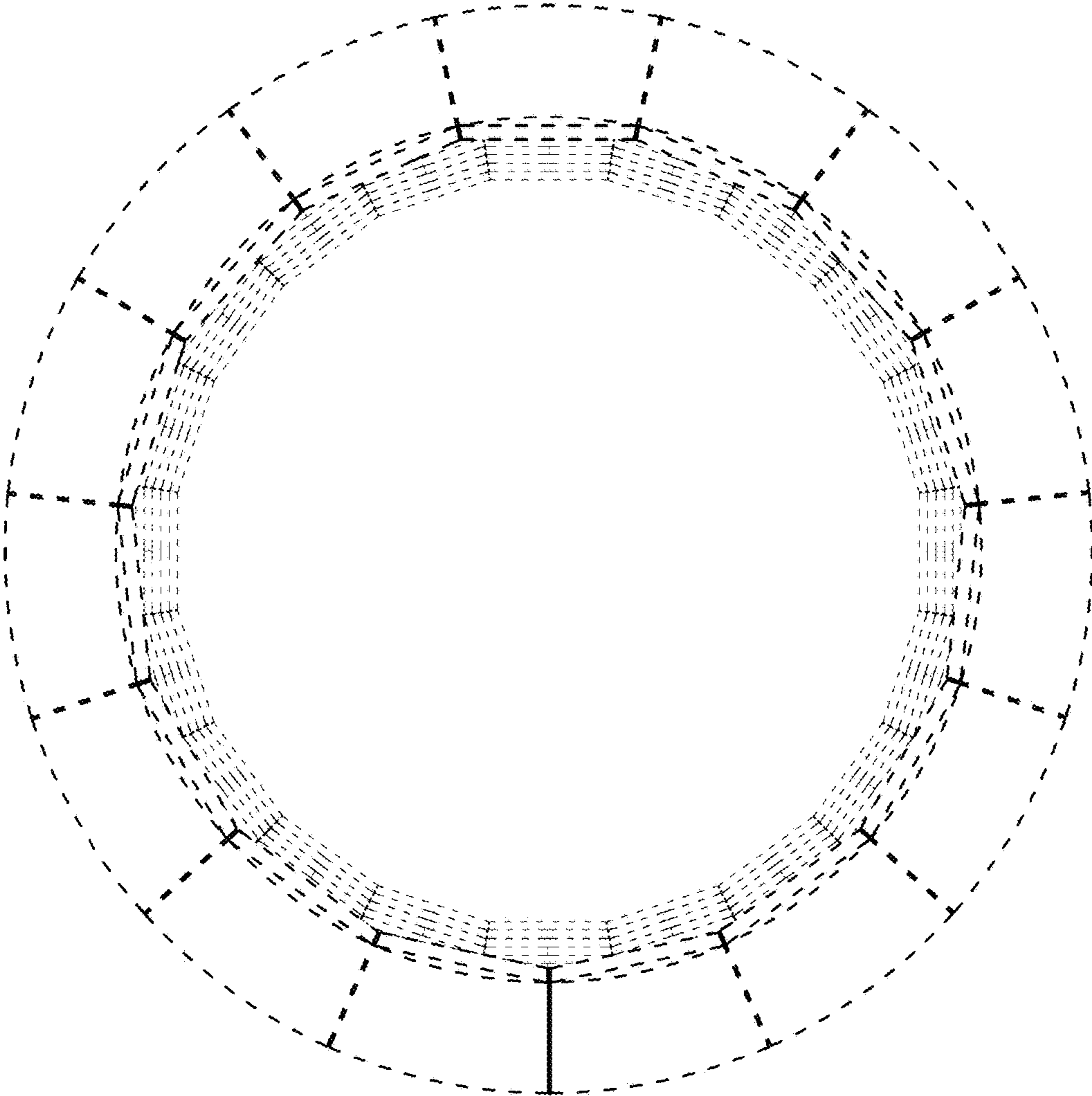


FIG. 21

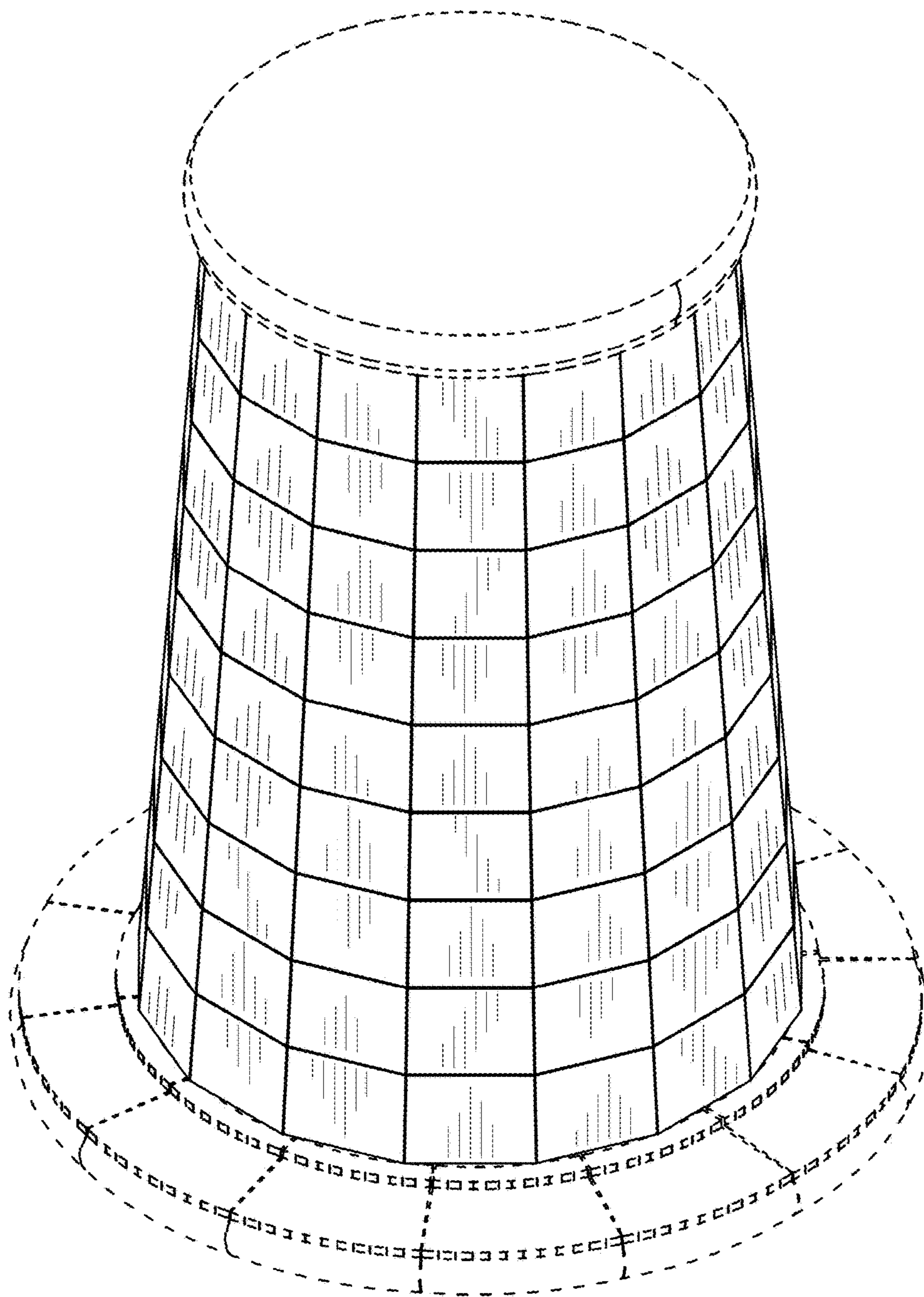


FIG. 22

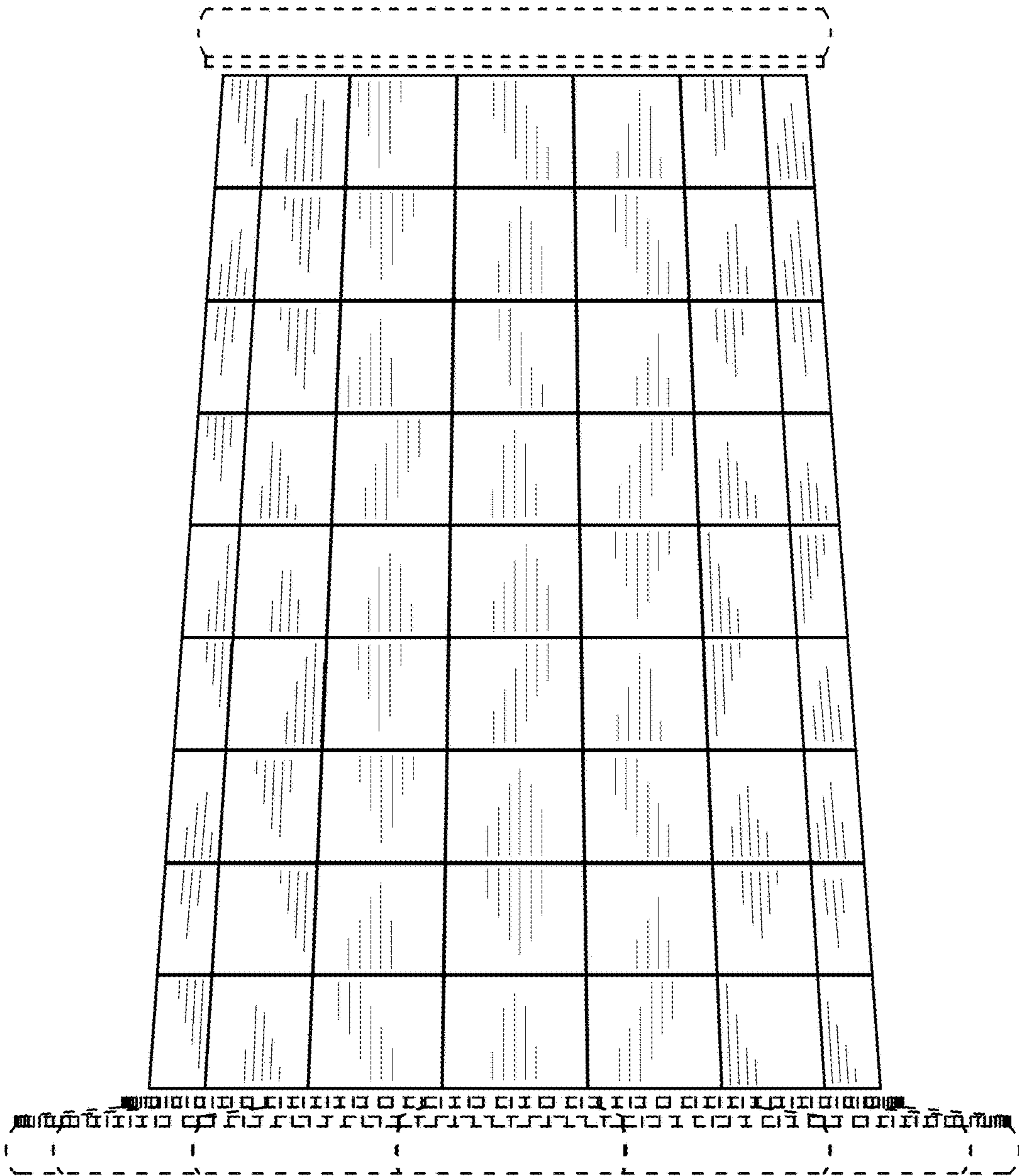


FIG. 23

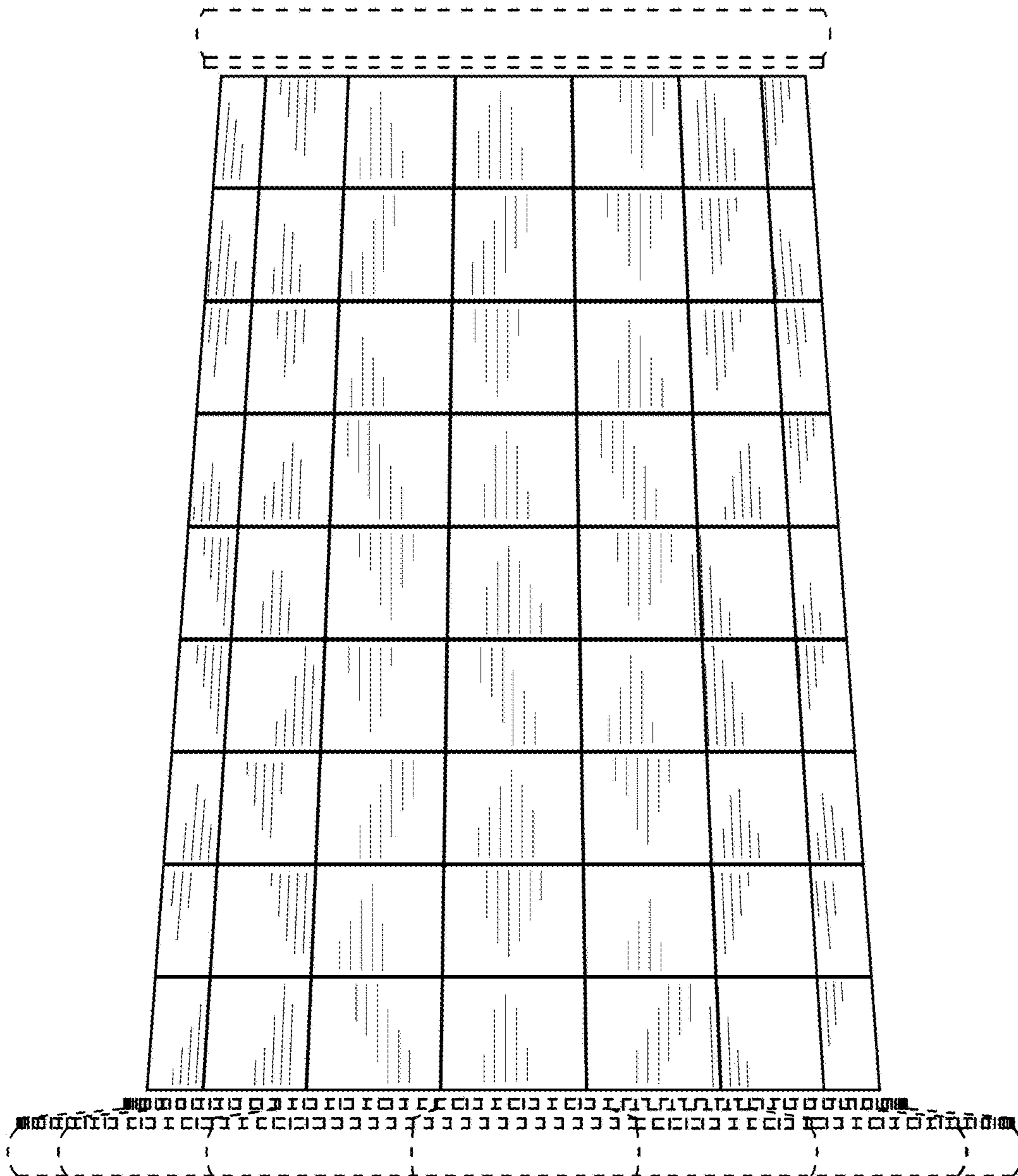


FIG. 24

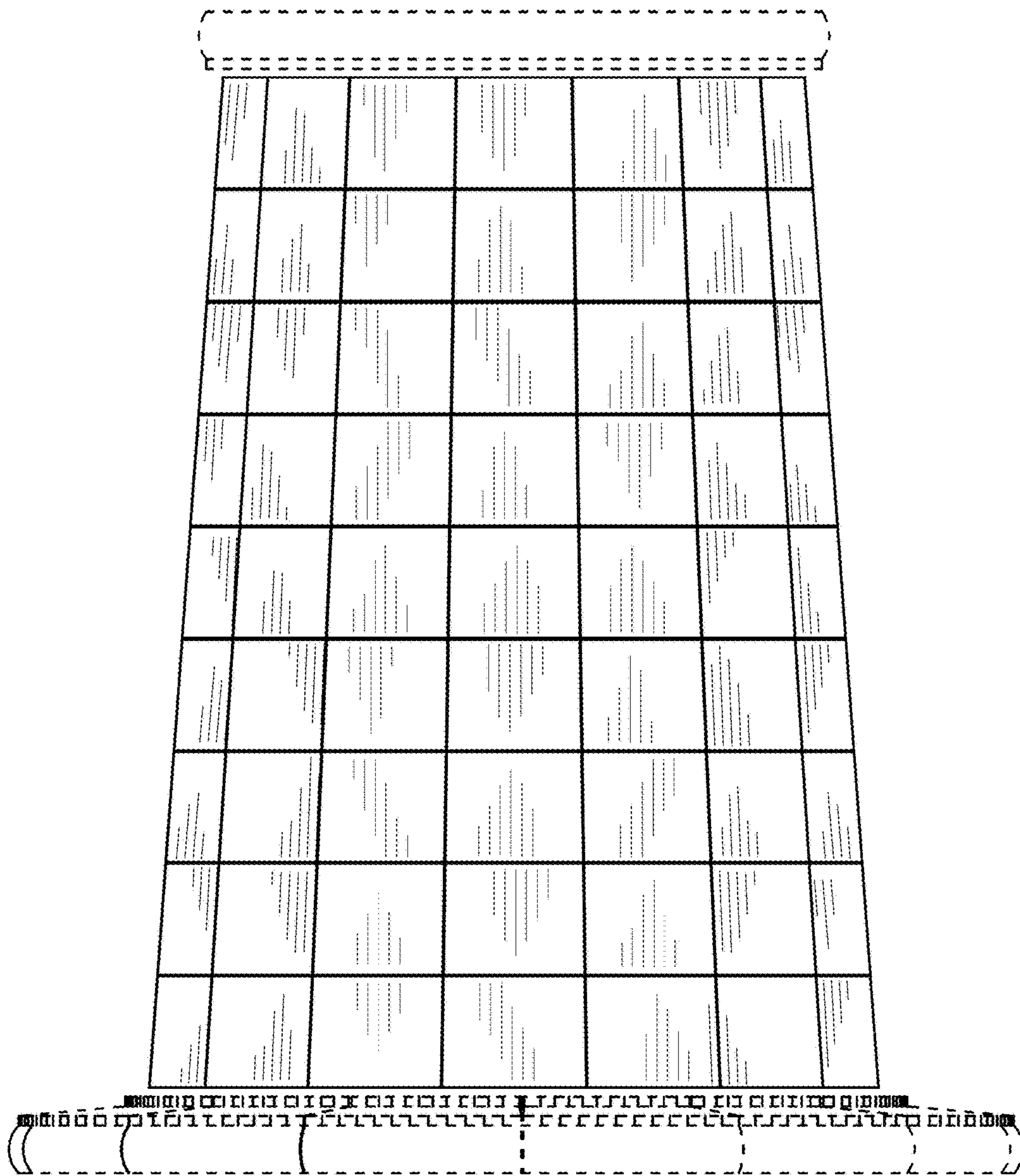


FIG. 25

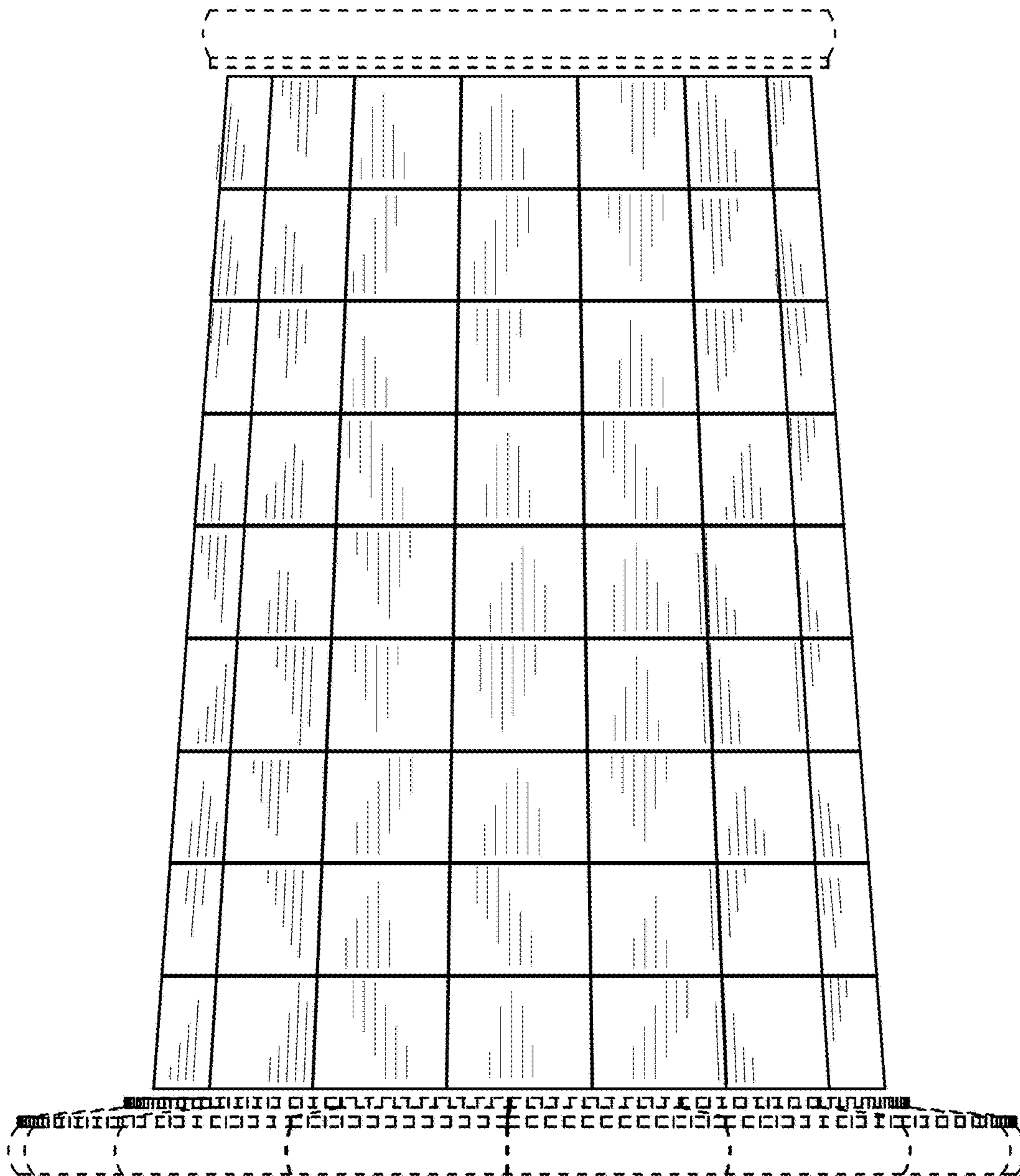


FIG. 26

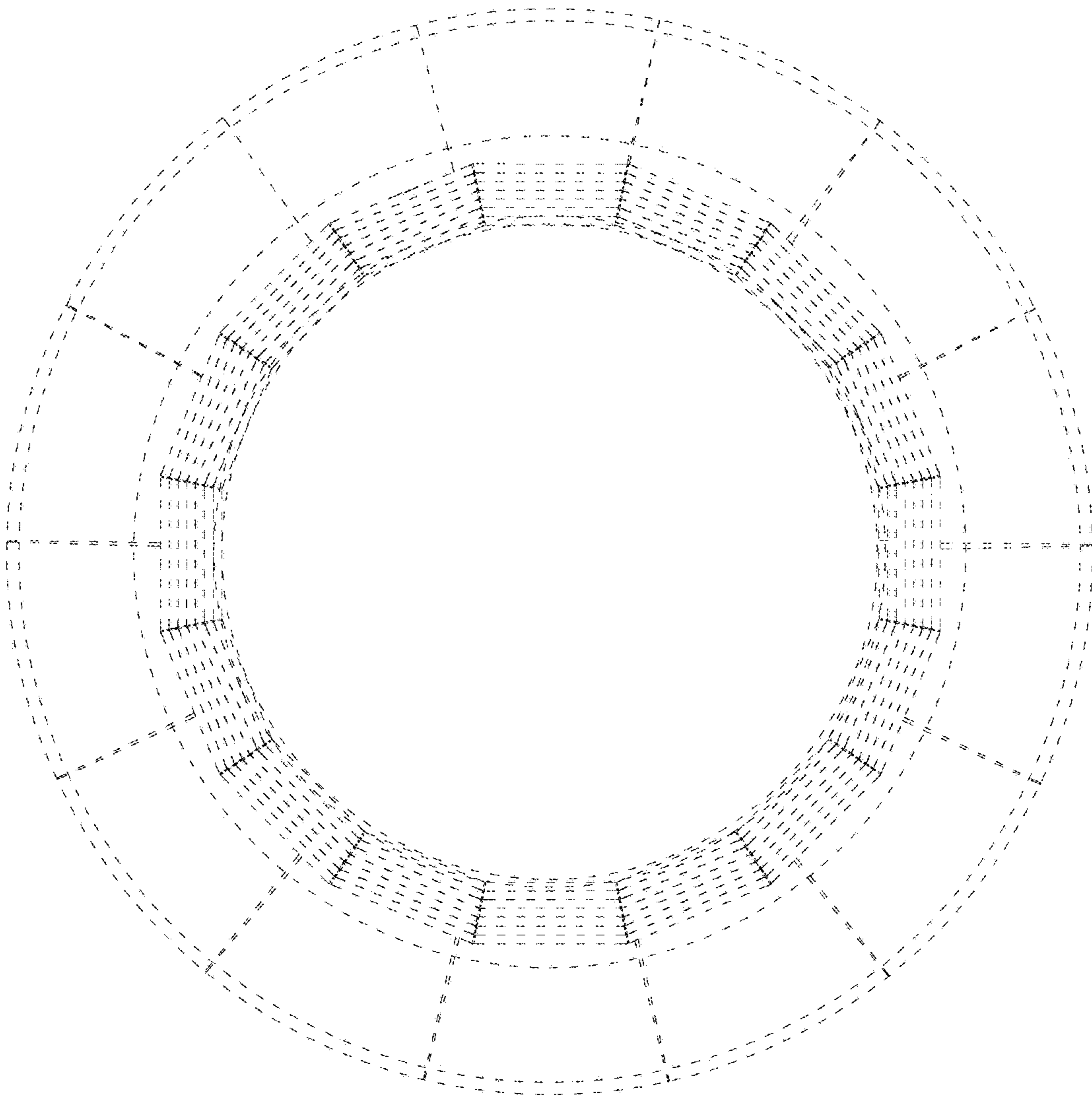


FIG. 27

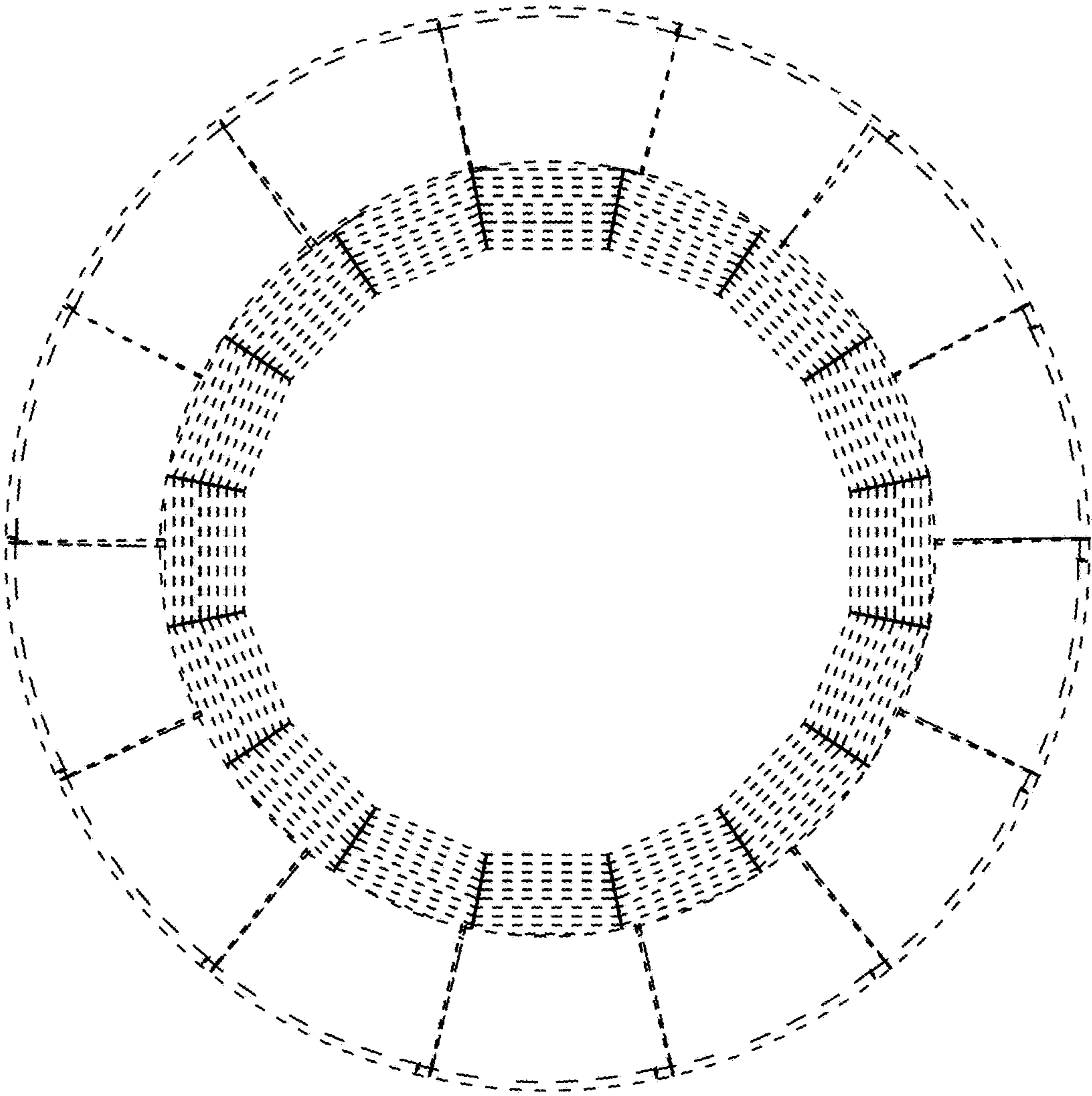


FIG. 28