



US00D855277S

(12) **United States Design Patent**  
**Blechsmidt**

(10) **Patent No.:** **US D855,277 S**  
(45) **Date of Patent:** **\*\* Jul. 30, 2019**

(54) **FORKLIFT**

(71) Applicant: **HUBTEX MASCHINENBAU GMBH & CO. KG, Fulda (DE)**

(72) Inventor: **Klaus Blechsmidt, Gotha (DE)**

(\*\*) Term: **15 Years**

(21) Appl. No.: **35/503,740**

(22) Filed: **Sep. 8, 2017**

(80) **Hague Agreement Data**

Int. Filing Date: **Sep. 8, 2017**  
Int. Reg. No.: **DM/097636**  
Int. Reg. Date: **Sep. 8, 2017**  
Int. Reg. Pub. Date: **Sep. 29, 2017**

(30) **Foreign Application Priority Data**

Mar. 13, 2017 (EM) ..... 003796671-0001  
Mar. 13, 2017 (ME) ..... 003796671-0003

(51) **LOC (11) Cl.** ..... **12-05**

(52) **U.S. Cl.**  
USPC ..... **D34/34**

(58) **Field of Classification Search**  
USPC ..... D34/28, 33, 34, 37  
CPC ..... B66F 9/06; B66F 9/0655; B66F 9/07  
See application file for complete search history.

(56) **References Cited**

**U.S. PATENT DOCUMENTS**

D313,100 S \* 12/1990 Soederberg ..... D12/14  
D371,669 S \* 7/1996 Yoon ..... D34/28

D432,753 S \* 10/2000 Braud ..... D34/34  
D542,005 S \* 5/2007 Weiner ..... D34/34  
D564,174 S \* 3/2008 Iguchi ..... D34/34  
D589,674 S \* 3/2009 Stark ..... D34/38  
9,212,036 B2 \* 12/2015 Keller ..... B60G 21/05  
D756,056 S \* 5/2016 Wen ..... D34/34  
9,499,198 B2 \* 11/2016 Otterbein ..... B62D 7/1509  
D808,106 S \* 1/2018 Wen ..... D34/28  
9,932,213 B2 \* 4/2018 Buchmann ..... B66F 9/0755

**OTHER PUBLICATIONS**

www.hubtex.com: Order Picking Systems Brochure. Dated Jan. 2014; 20 pages. Found online Aug. 9, 2018 at <https://www.hubtex.com/english/downloads1/prospekte.html> (Year: 2014).\*  
www.hubtex.com: Diesel-Gas Fourway Sideloader Brochure. Dated Feb. 2017; 2 pages. Found online Aug. 9, 2018 at <https://www.hubtex.com/english/d> (Year: 2017).\*  
www.hubtex.com: Electric Multidirectional Sideloader Brochure. Dated Apr. 2011; 24 pages. Found online Aug. 9, 2018 at <https://www.hubtex.com/english/d> (Year: 2011).\*

\* cited by examiner

*Primary Examiner* — Robert M. Spear

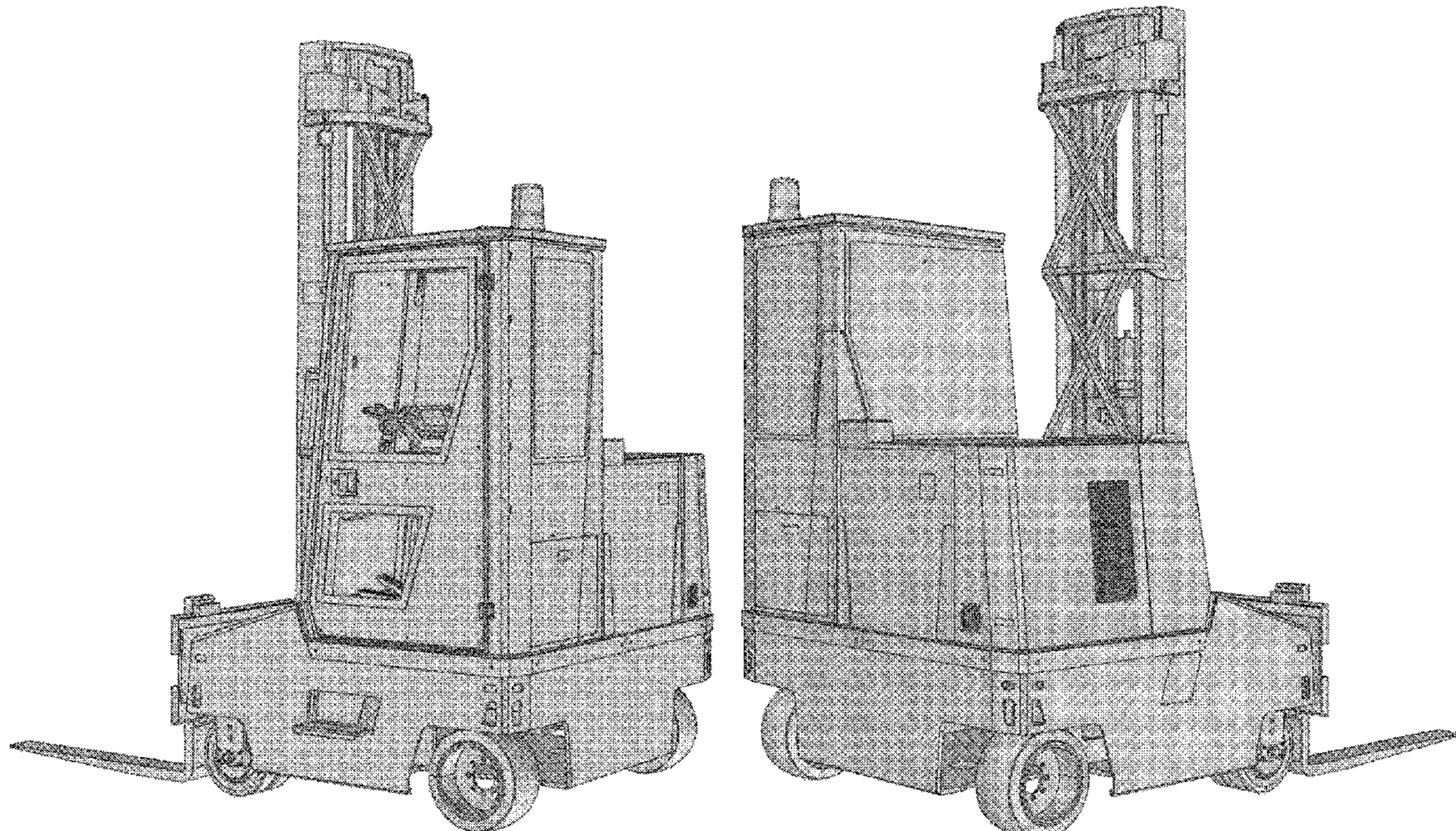
(57) **CLAIM**

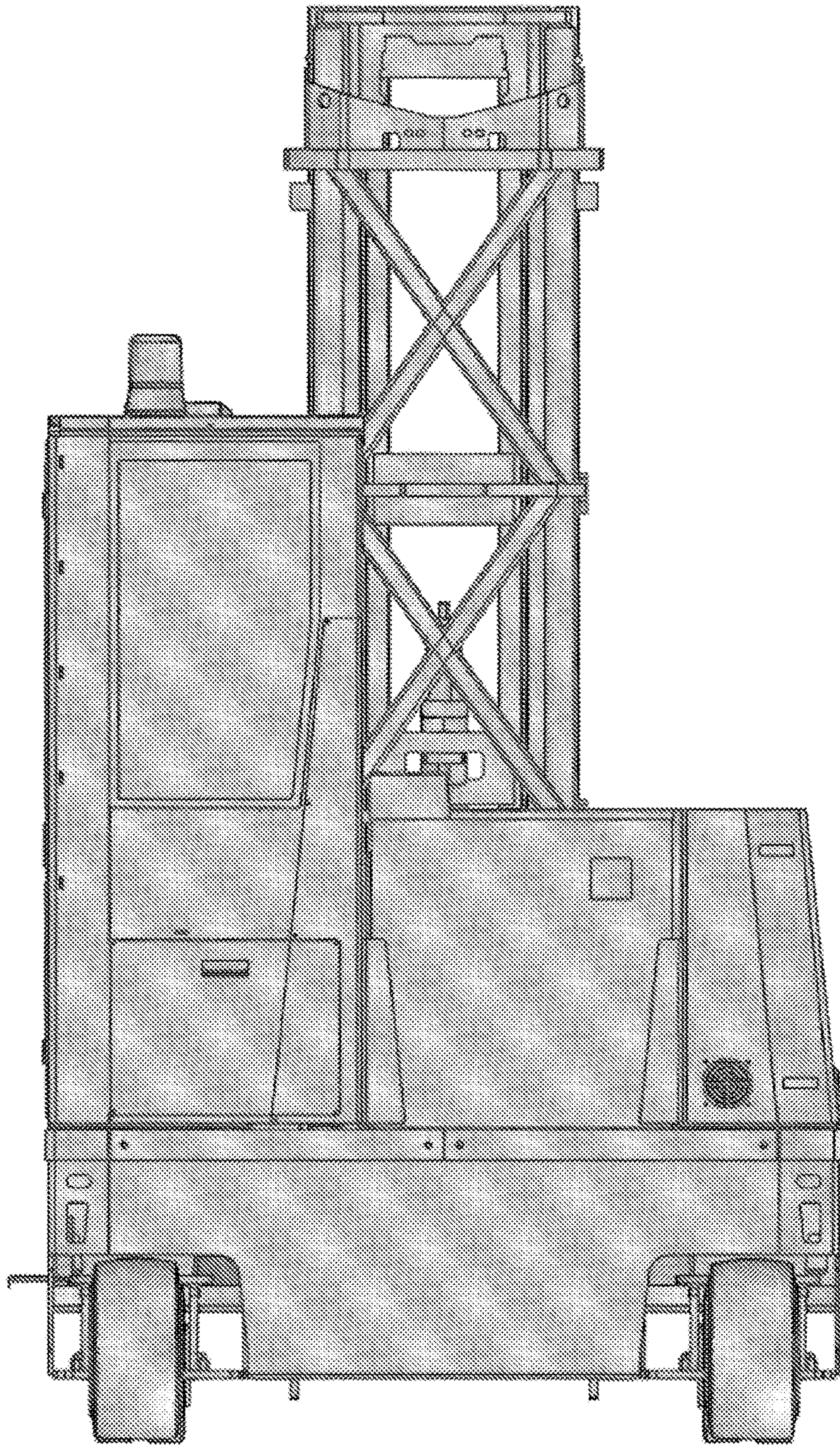
An ornamental design for a forklift, as shown and described.

**DESCRIPTION**

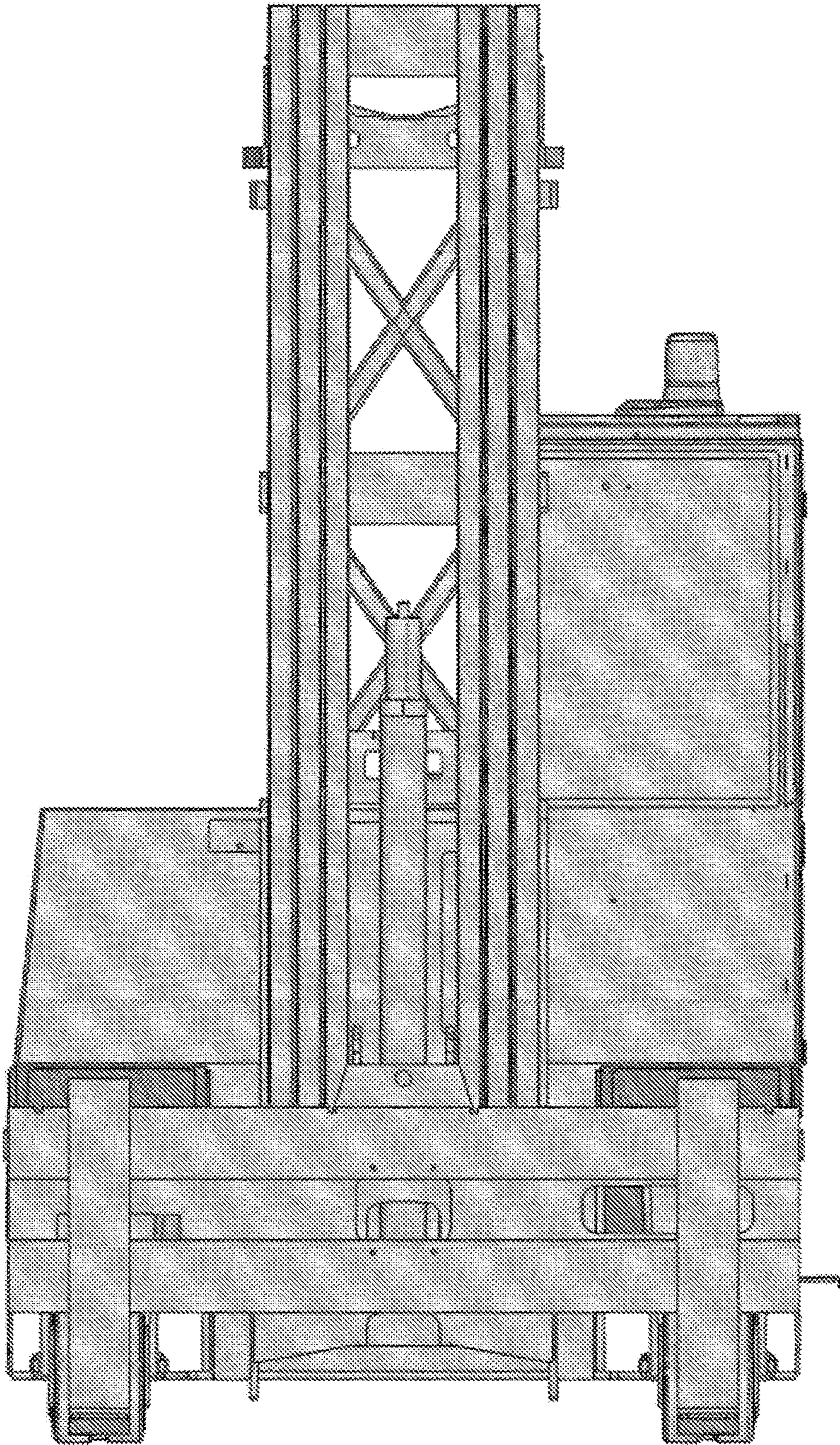
Forklift  
1.1—Rear elevational view;  
1.2—Front elevational view;  
1.3—Left side elevational view;  
1.4—Right side elevational view;  
1.5—Bottom plan view;  
1.6—Left rear perspective view;  
1.7—Right rear perspective view.

**1 Claim, 7 Drawing Sheets**

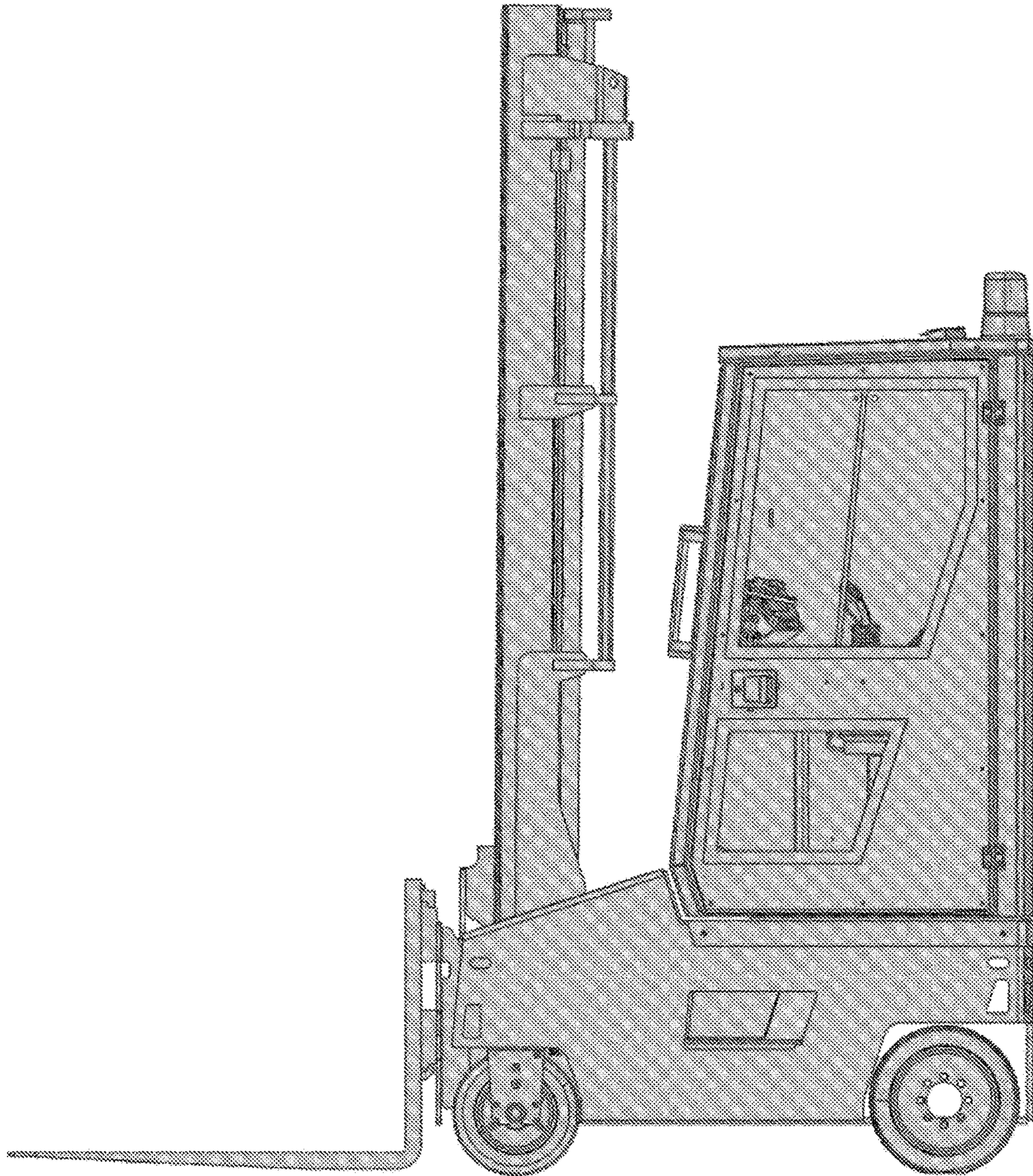




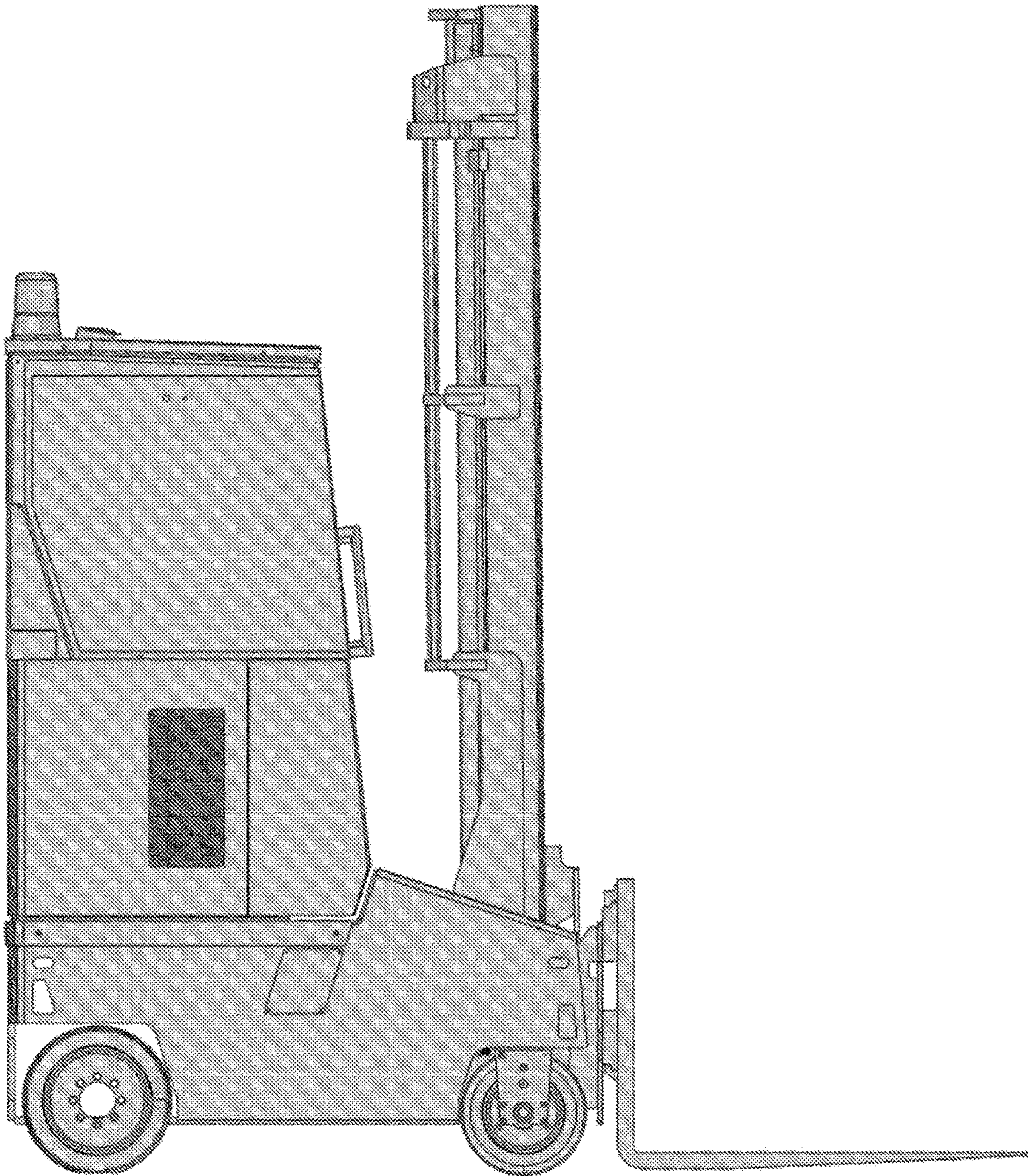
1.1



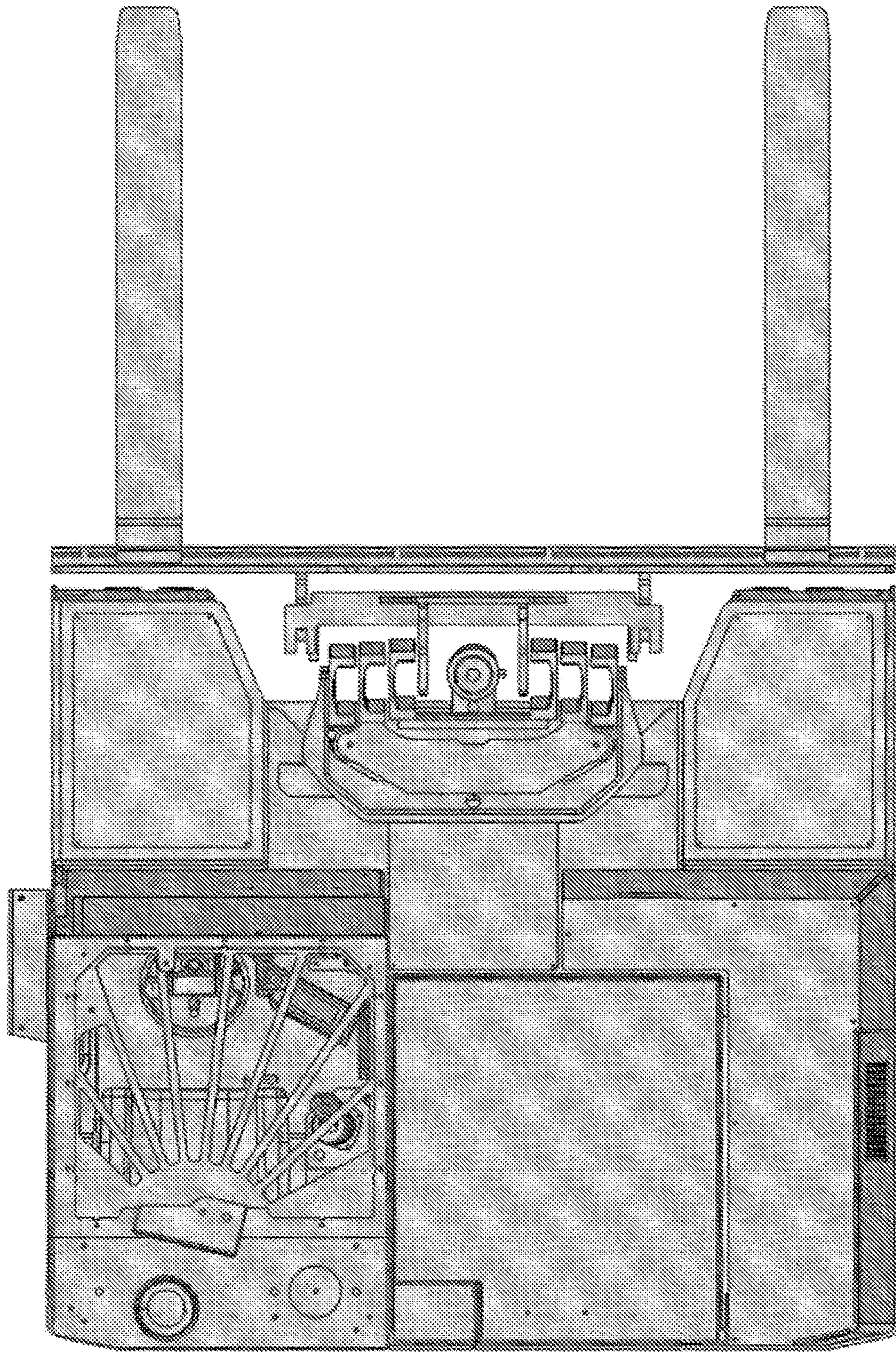
1.2



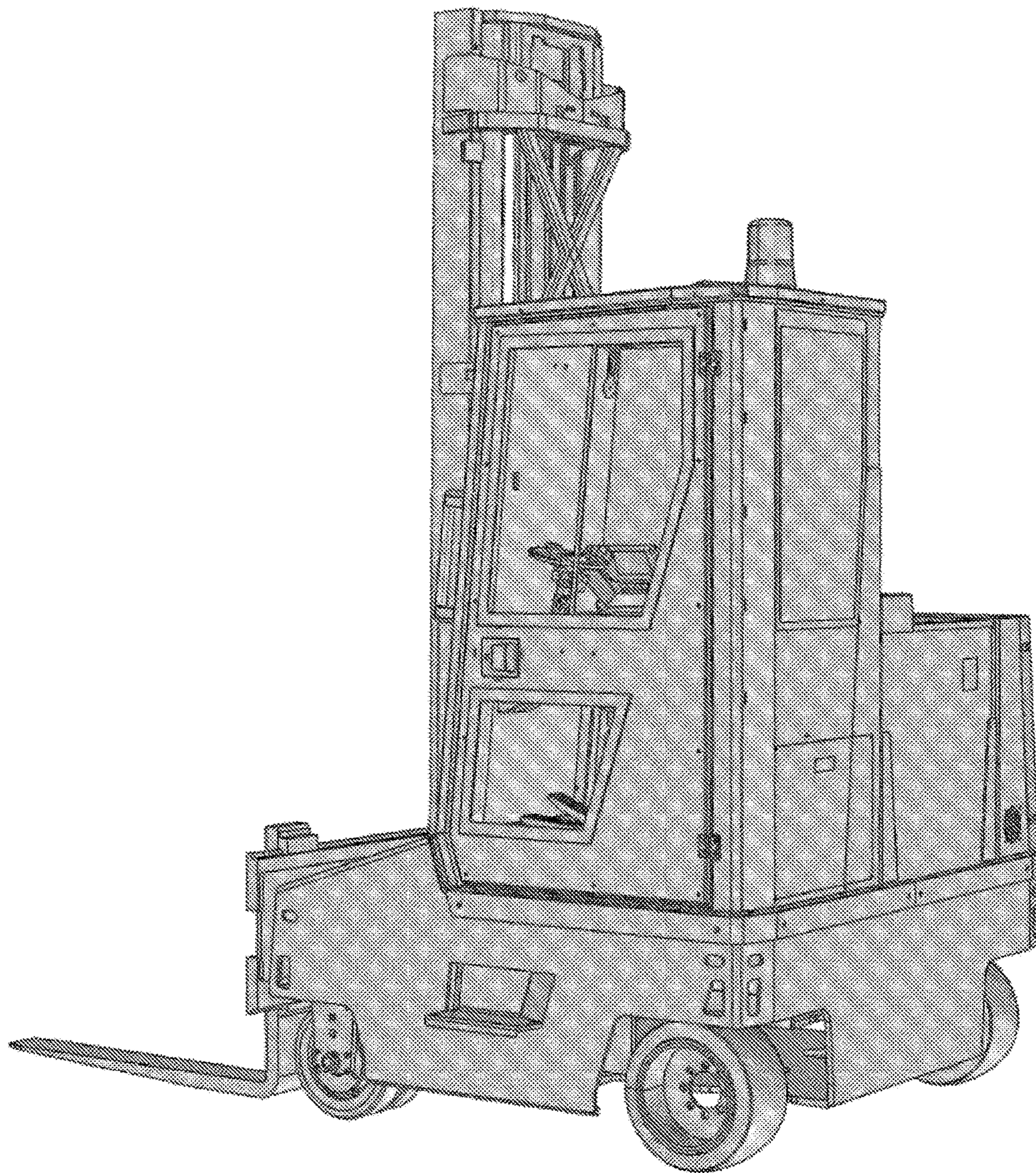
1.3



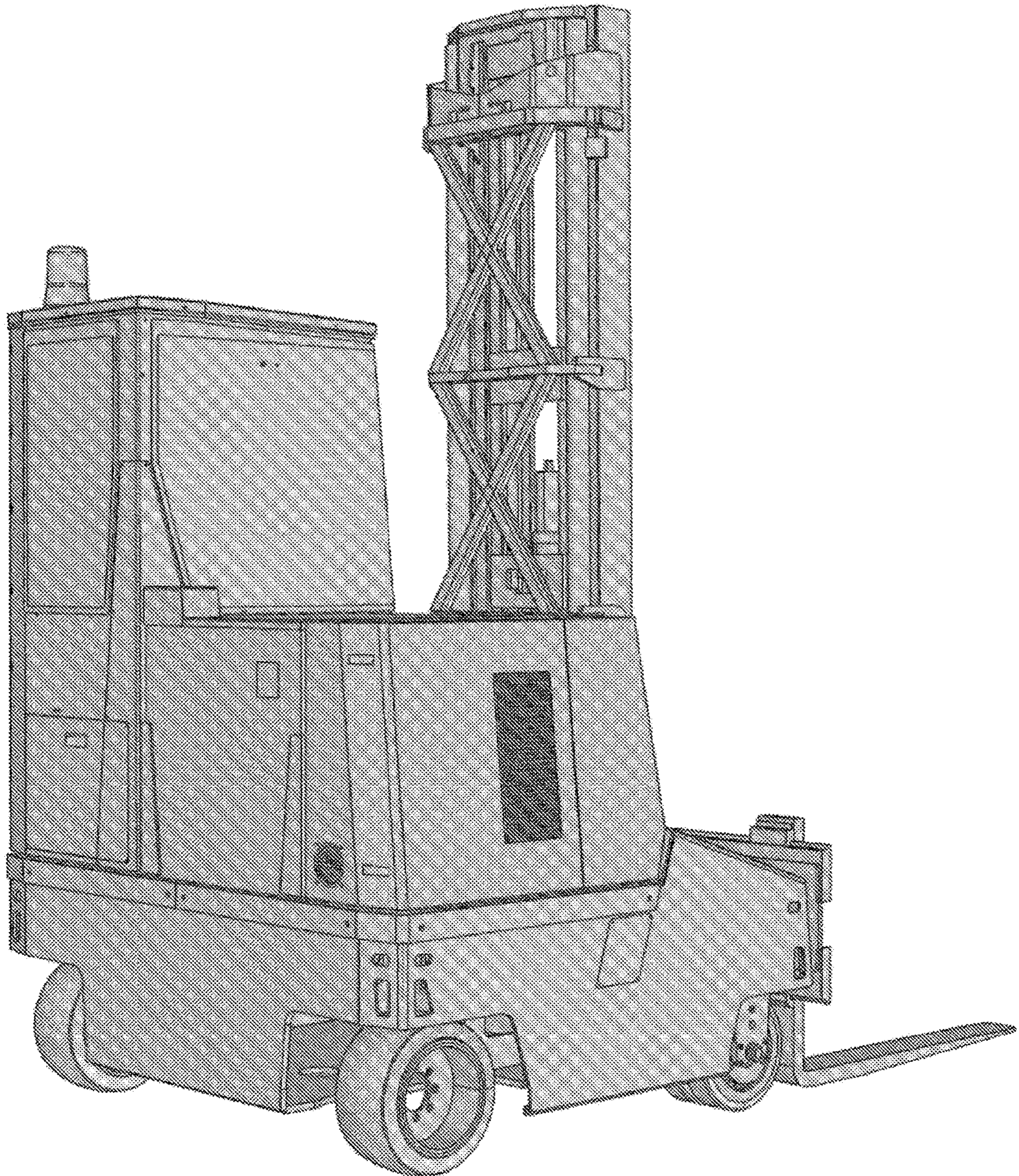
1.4



1.5



1.6



1.7