



US00D855275S

(12) **United States Design Patent** (10) **Patent No.:** **US D855,275 S**
Walter et al. (45) **Date of Patent:** **** Jul. 30, 2019**

(54) **UTILITY CART**

(71) Applicant: **AMSA, Inc.**, Boulder, CO (US)
(72) Inventors: **Ivor Michel Walter**, Boulder, CO (US);
Paul Jensen, Boulder, CO (US);
Wilson Zeng, Foshan (CN)
(73) Assignee: **AMSA, Inc.**, Boulder, CO (US)
(**) Term: **15 Years**

(21) Appl. No.: **29/609,780**
(22) Filed: **Jul. 5, 2017**
(51) **LOC (11) Cl.** **12-02**
(52) **U.S. Cl.**
USPC **D34/21**
(58) **Field of Classification Search**
USPC D34/12-18, 20-24, 26, 27; 280/47.35,
280/651, 79.3, 47.26, 47.34, 33.997,
280/47.19, 33.991, 33.992, 33.993,
280/33.995, 33.996
CPC B60B 29/002; B60B 30/10; B25H 5/00;
B62B 3/02
See application file for complete search history.

(56) **References Cited**

U.S. PATENT DOCUMENTS

2,764,419 A	9/1956	Enders
D199,670 S	12/1964	Inglis
D221,748 S	9/1971	Bloomfield et al.
D226,809 S	5/1973	Cummings et al.
D246,301 S	11/1977	Trubiano
D247,953 S	5/1978	Rehrig
4,097,056 A	6/1978	Castellano
D259,779 S	7/1981	Bond
D280,858 S	10/1985	Muellner et al.
4,826,186 A	5/1989	Hagelin
4,850,604 A	7/1989	Le Marchand et al.
5,149,114 A	9/1992	Lewandowski et al.
D331,135 S	11/1992	Lewandowski et al.
D365,904 S	1/1996	Adamson et al.

(Continued)

OTHER PUBLICATIONS

Applicant AMSA, Inc. DBA VersaCart Systems Brochure for Orgill Spring Dealer Market 2015. 6 pages.
(Continued)

Primary Examiner — Cynthia Ramirez
Assistant Examiner — Gino Colan
(74) *Attorney, Agent, or Firm* — Polson Intellectual Property Law, PC; Margaret Polson

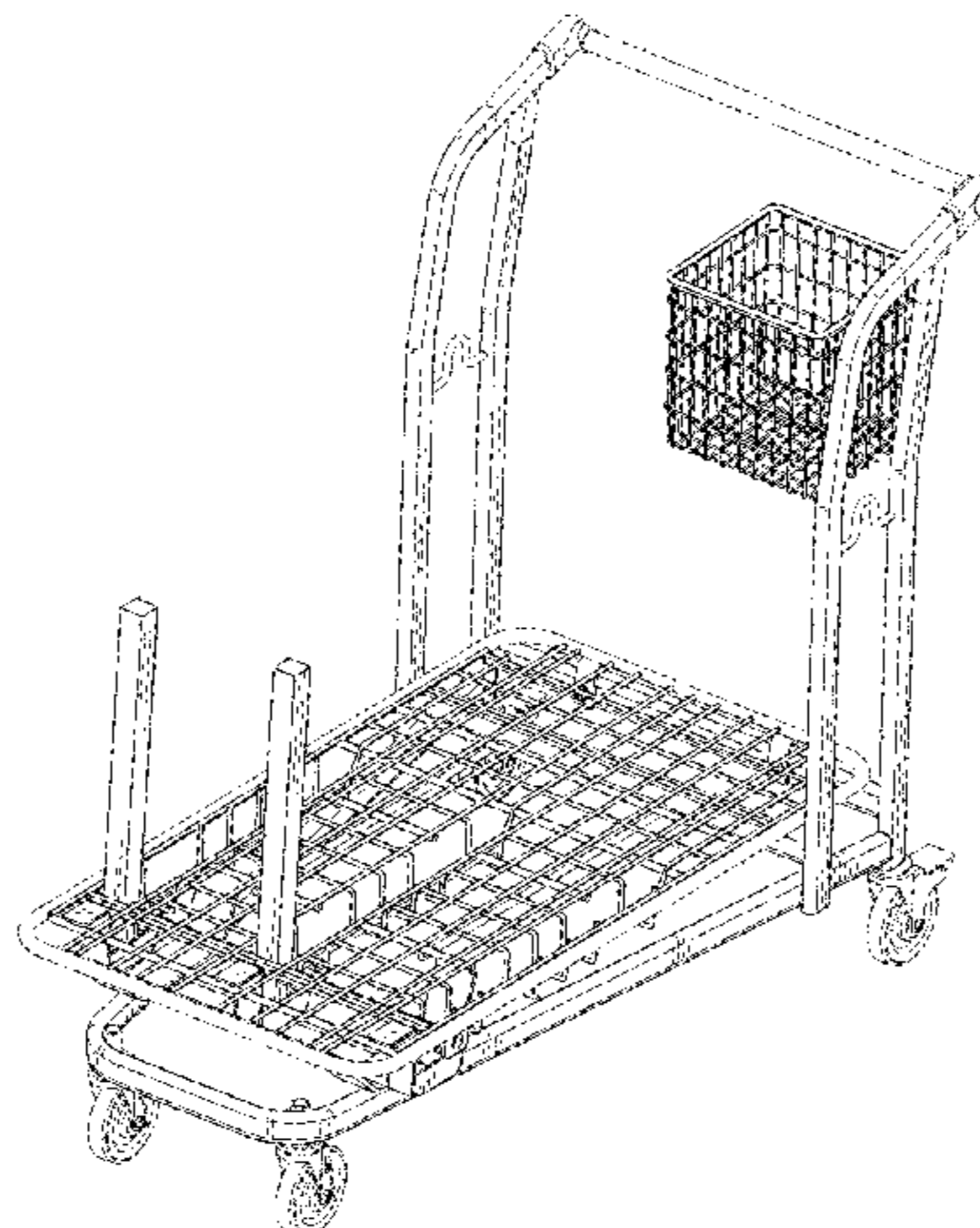
(57) **CLAIM**

The ornamental design for a utility cart, as shown and described.

DESCRIPTION

FIG. 1 is a front perspective view of a utility cart showing our new design;
FIG. 2 is a side elevation view of the right and left sides, which are mirror images, of FIG. 1.
FIG. 3 is a front side elevation view of FIG. 1.
FIG. 4 is a back side elevation view of FIG. 1.
FIG. 5 is a top plan view of FIG. 1.
FIG. 6 is a bottom plan view of FIG. 1.
FIG. 7 is a front perspective view of the embodiment of FIG. 1 with the only difference being the supports are folded down, it being understood that all other surfaces are the same as the other views of this embodiment.
FIG. 8 is a side elevation view of the right and left sides, which are mirror images, of FIG. 7.
FIG. 9 is a front side elevation view of FIG. 7.
FIG. 10 is a back side elevation view of FIG. 7.
FIG. 11 is a top plan view of FIG. 7; and,
FIG. 12. is a bottom plan view of FIG. 7.
The features shown in broken lines in the drawing depict environmental subject matter only and form no part of the claimed design.

1 Claim, 12 Drawing Sheets



(56)

References Cited

U.S. PATENT DOCUMENTS

D367,348	S	2/1996	Basharat	
5,595,394	A	1/1997	Adamson	
6,126,181	A	10/2000	Ondrasik	
6,641,147	B2	11/2003	Werner	
D542,997	S	5/2007	Coderre	
D548,421	S	8/2007	Walter	
D576,372	S	9/2008	Walter	
D577,172	S	9/2008	Coderre	
D580,617	S	11/2008	Walter	
D584,023	S	12/2008	Walter	
D608,971	S *	1/2010	Tuncel	D34/18
D608,972	S *	1/2010	Tuncel	D34/18
D615,723	S	5/2010	Walter	
D700,762	S *	3/2014	Walter	D34/27
D742,088	S	10/2015	Walter	
D793,644	S	8/2017	Walter et al.	
D796,146	S	8/2017	Walter et al.	
D798,018	S	9/2017	Walter et al.	
D798,019	S	9/2017	Walter et al.	
D798,520	S *	9/2017	Walter	D34/21
D840,127	S *	2/2019	Walter	D34/21
2009/0309322	A1	12/2009	Selvig et al.	

OTHER PUBLICATIONS

Applicant AMSA, Inc. DBA VersaCart Systems Brochure for Orgill Fall Dealer Market 2015. 6 pages.
 Applicant AMSA, Inc. DBA VersaCart Systems Brochure for Orgill Fall Market 2012. 4 pages.
 Applicant AMSA, Inc. DBA VersaCart Systems Brochure for Orgill Spring Dealer Market 2014. 6 pages.
 Applicant AMSA, Inc. DBA VersaCart Systems Brochure for Orgill Fall Dealer Market 2014. 6 pages.
 Applicant AMSA, Inc. DBA VersaCart Systems Retail & Distribution Catalog 2008. 50 pages.
 Applicant AMSA, Inc. DBA VersaCart Systems Brochure for ACE Spring Convention 2013. 4 pages.
 Applicant AMSA, Inc. DBA VersaCart Systems Brochure for ACE Spring Convention 2014. 4 pages.
 Applicant AMSA, Inc. DBA VersaCart Systems Brochure for ACE Spring Convention 2015. 4 pages.
 Applicant AMSA, Inc. DBA VersaCart Systems Brochure for ACE Spring Convention 2016. 4 pages.
 Applicant AMSA, Inc. DBA VersaCart Systems Brochure for ACE Spring Market 2012. 2 pages.
 Applicant AMSA, Inc. DBA VersaCart Systems Brochure for ACE Spring Convention 2017. 4 pages.

Applicant AMSA, Inc. DBA VersaCart Systems Brochure for Do It Best Spring Market 2017. 6 pages.
 Applicant AMSA, Inc. DBA VersaCart Systems Brochure for Orgill Spring Dealer Market 2016. 6 pages.
 Applicant AMSA, Inc. DBA VersaCart Systems Brochure for True Value Spring Reunion 2017. 2 pages.
 Applicant AMSA, Inc. DBA VersaCart Systems SuperValu Expo flyer Aug. 3, 2016. 2 pages.
 Applicant AMSA, Inc. DBA VersaCart Systems Unified Expo flyer Aug. 2016. 2 pages.
 Applicant AMSA, Inc. DBA VersaCart Systems True Value flyer Fall Reunion 2017. 2 pages.
 Applicant AMSA, Inc. DBA VersaCart Systems True Value flyer Fall Reunion 2016. 2 pages.
 Applicant AMSA, Inc. DBA VersaCart Systems Brochure for ACE Fall Convention 2016. 4 pages.
 Applicant AMSA, Inc. DBA VersaCart Systems Brochure for ACE Fall Convention 2017. 4 pages.
 Applicant AMSA, Inc. DBA VersaCart Systems Brochure for Do It Best Fall Market 2016. 6 pages.
 Applicant AMSA, Inc. DBA VersaCart Systems Brochure for Do It Best Fall Market 2017. 6 pages.
 Applicant AMSA, Inc. DBA VersaCart Systems Brochure for Orgill Fall Dealer Market Las Vegas 2016. 6 pages.
 Applicant AMSA, Inc. DBA VersaCart Systems Brochure for Orgill Fall Dealer Market Boston 2016. 6 pages.
 U.S. Appl. No. 29/564,595, filed May 13, 2016, inventor Walter et al.
 U.S. Appl. No. 29/614,983, filed Aug. 24, 2017, inventor Walter et al.
 U.S. Appl. No. 29/517,942, filed Feb. 18, 2015, inventor Walter et al.
 U.S. Appl. No. 29/56007,431, filed Jun. 13, 2017, inventor Walter et al.
 www.winholt.com Customer and Stocking Cart with Plastic Deck Retractable Shelf.
 MarkeTools Stock Trucks Scan of website [<http://www.marketools.net/stocktrucks.html>] showing prior art carts manufactured by MarkeTools.
 MarkeTools Shopping carts Scan of website [<http://www.marketools.net/shoppingcarts.html>] showing prior art carts manufactured by MarkeTools.
http://www.premiercarts.com/warehouse_carts.htm Material Handling Warehouse Carts.
http://www.premiercarts.com/wagon_carts.htm Material Handling Wagon Carts.
<http://www.premiercarts.com/> Premier Carts general catalog.

* cited by examiner

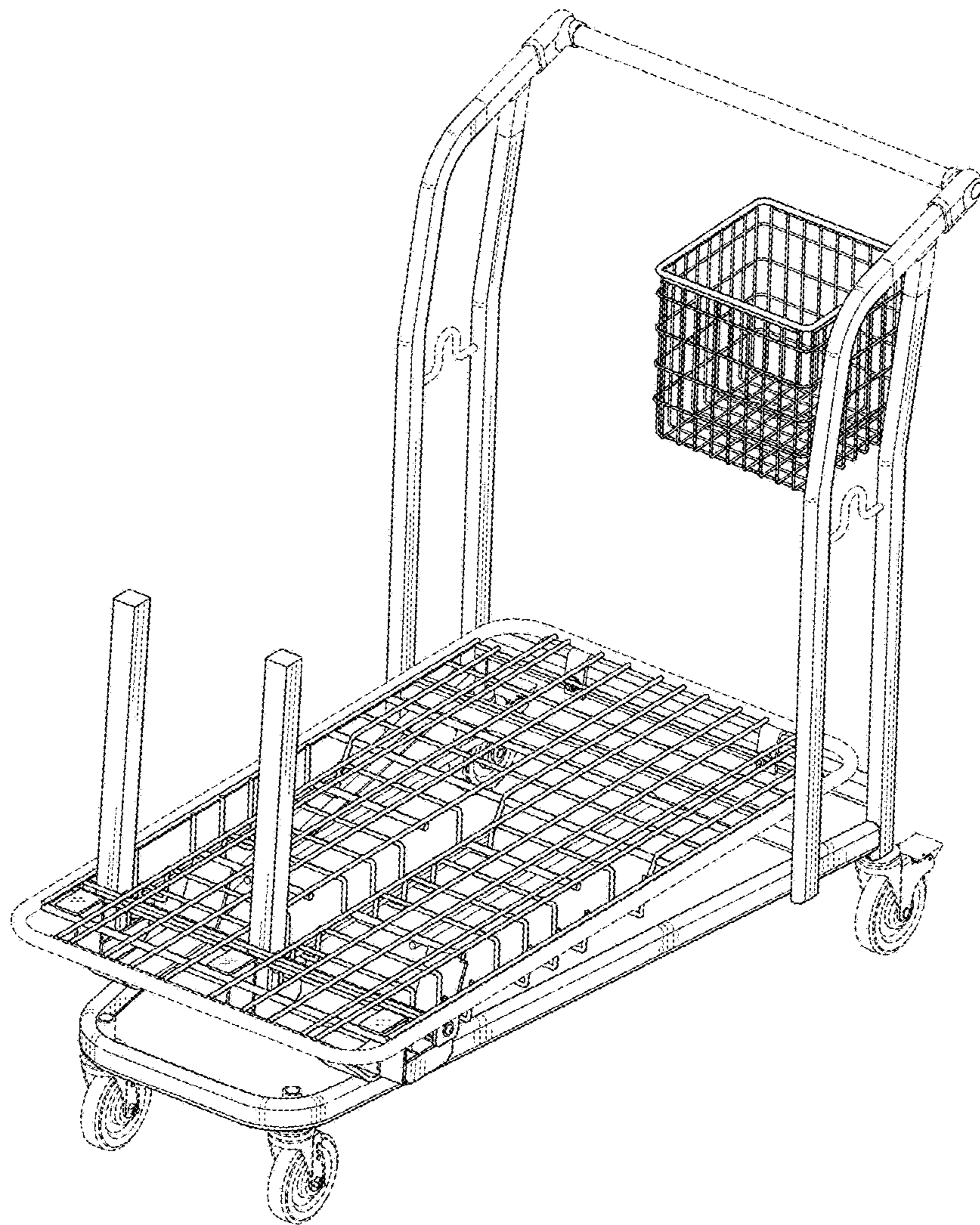


FIG.1

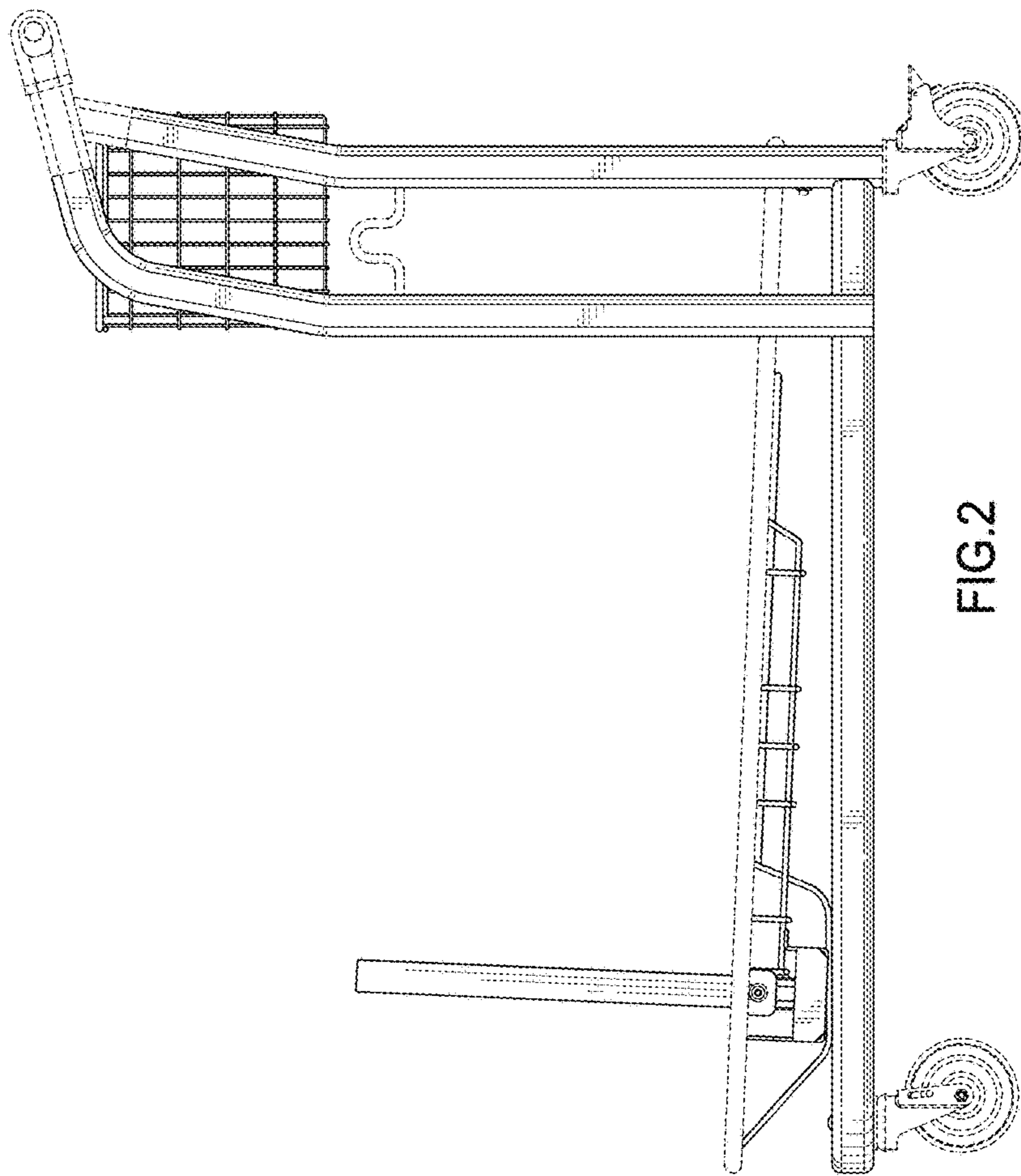


FIG.2

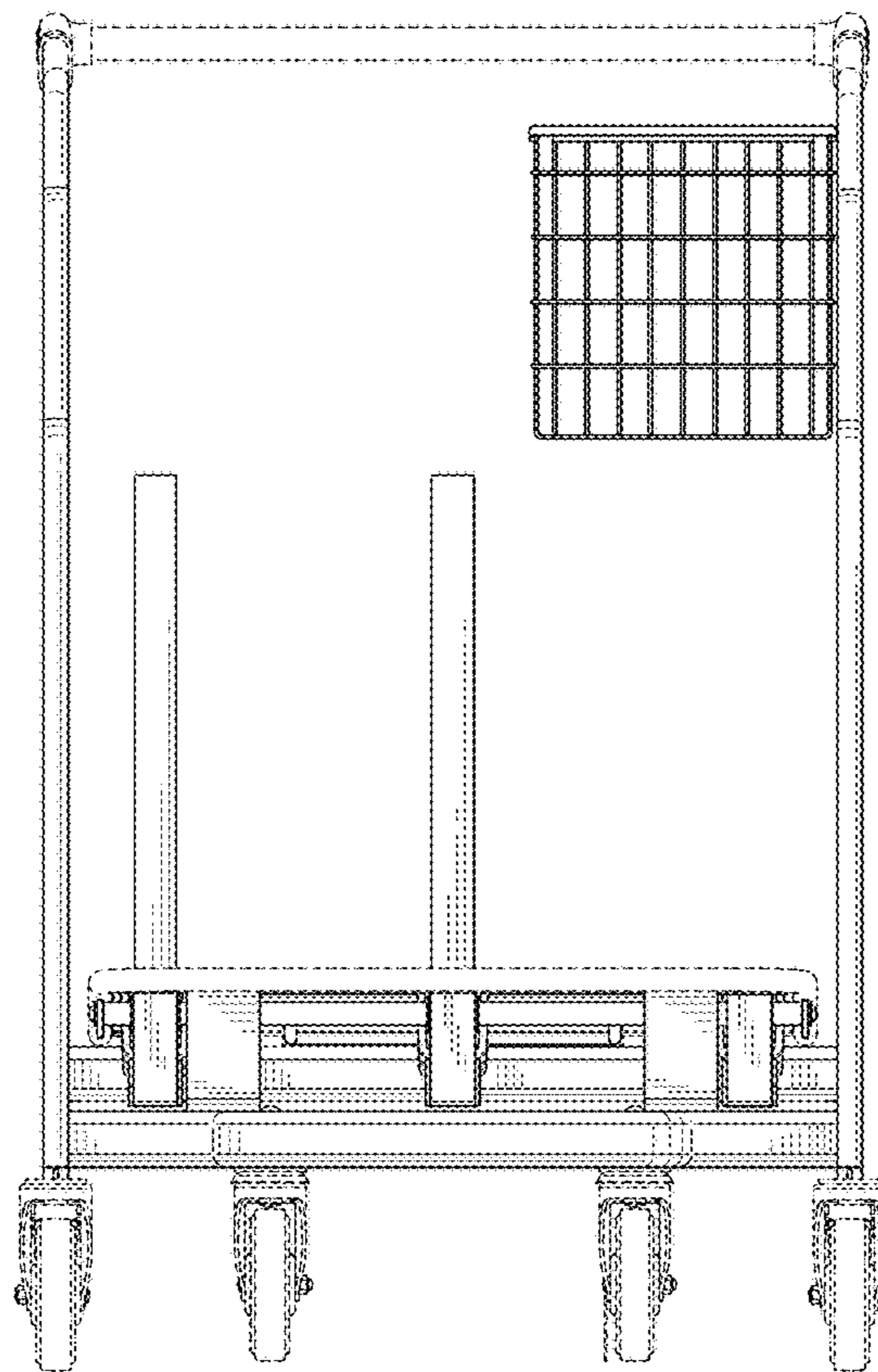


FIG.3

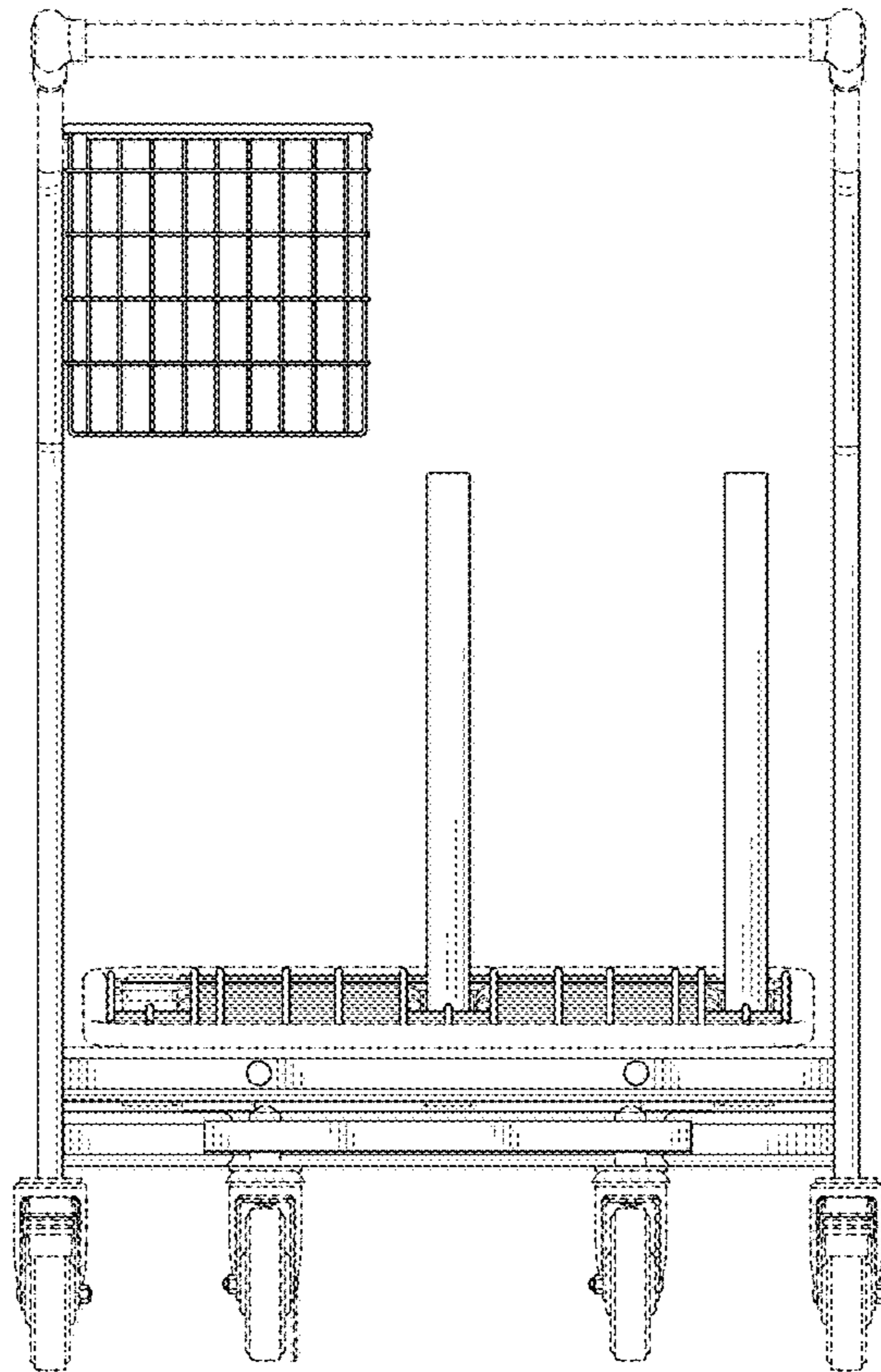


FIG.4

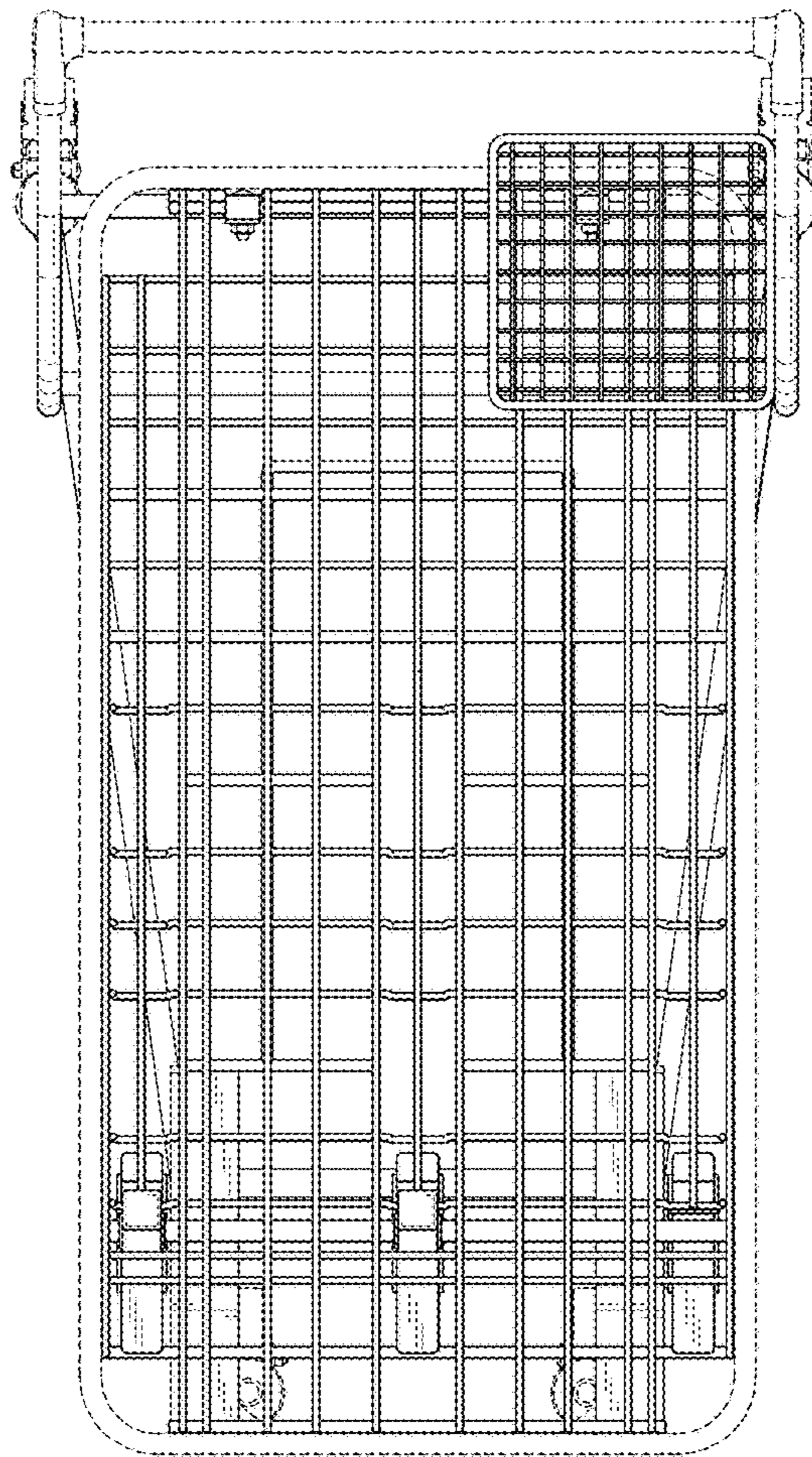


FIG.5

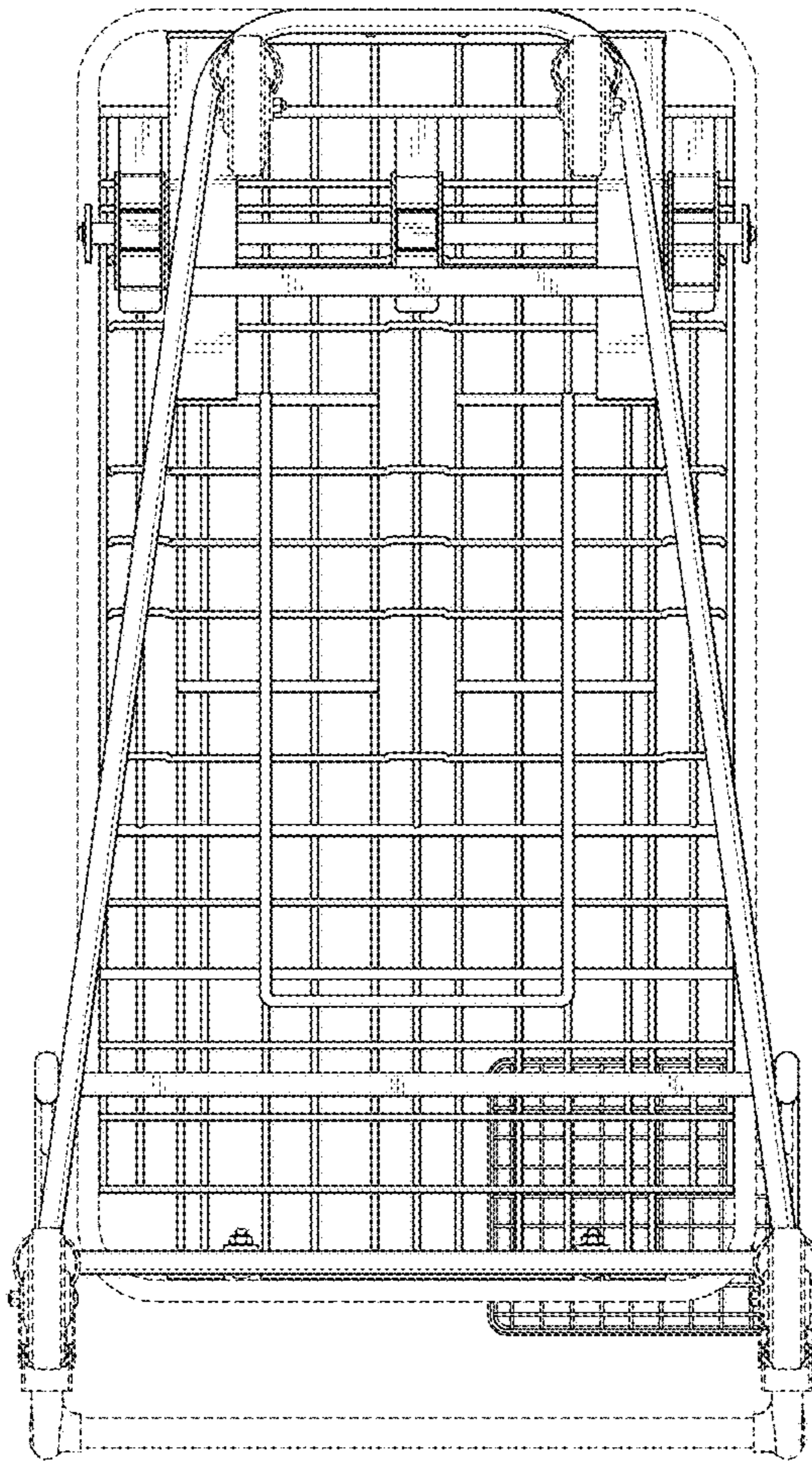


FIG.6



FIG.7

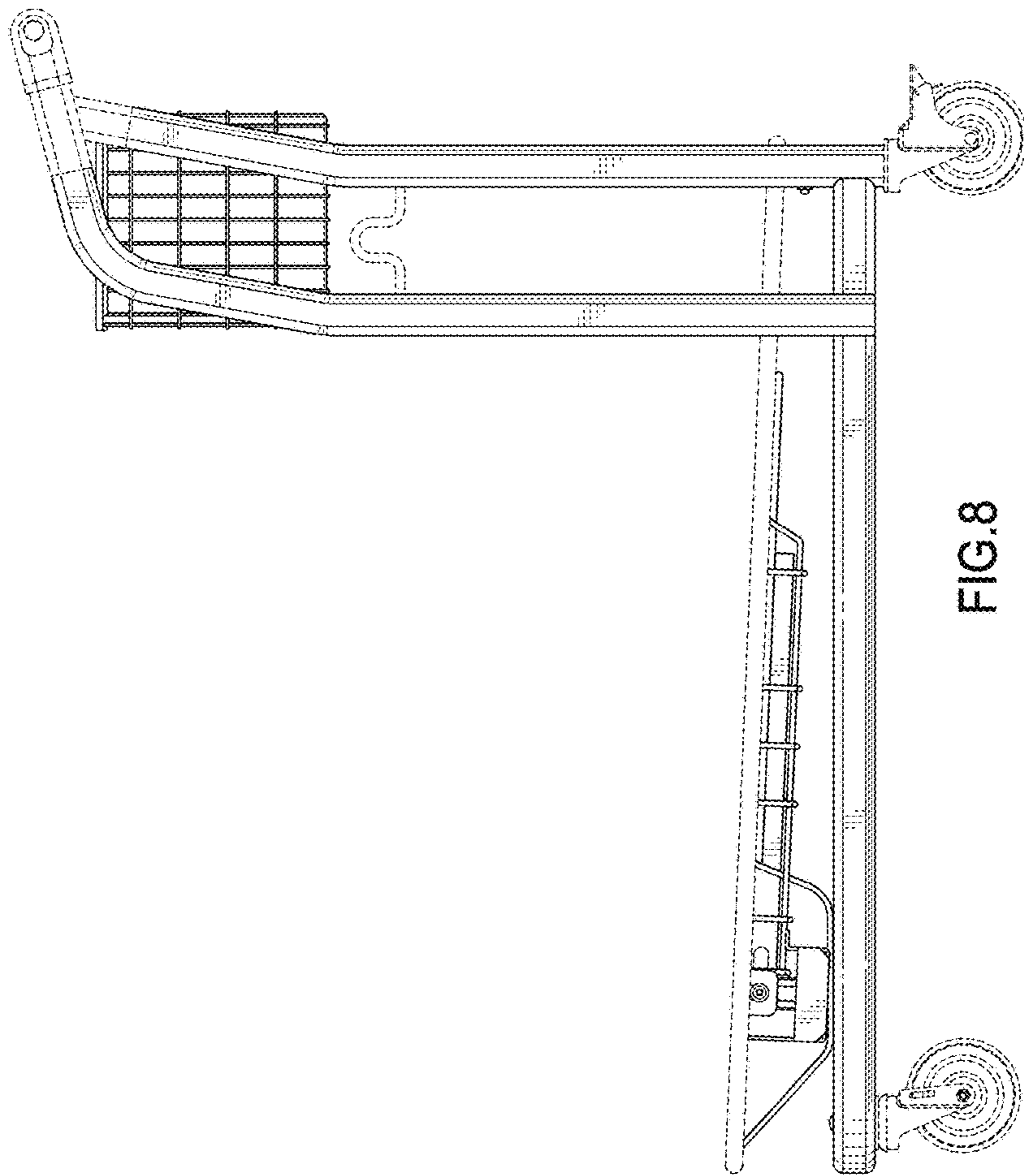


FIG. 8

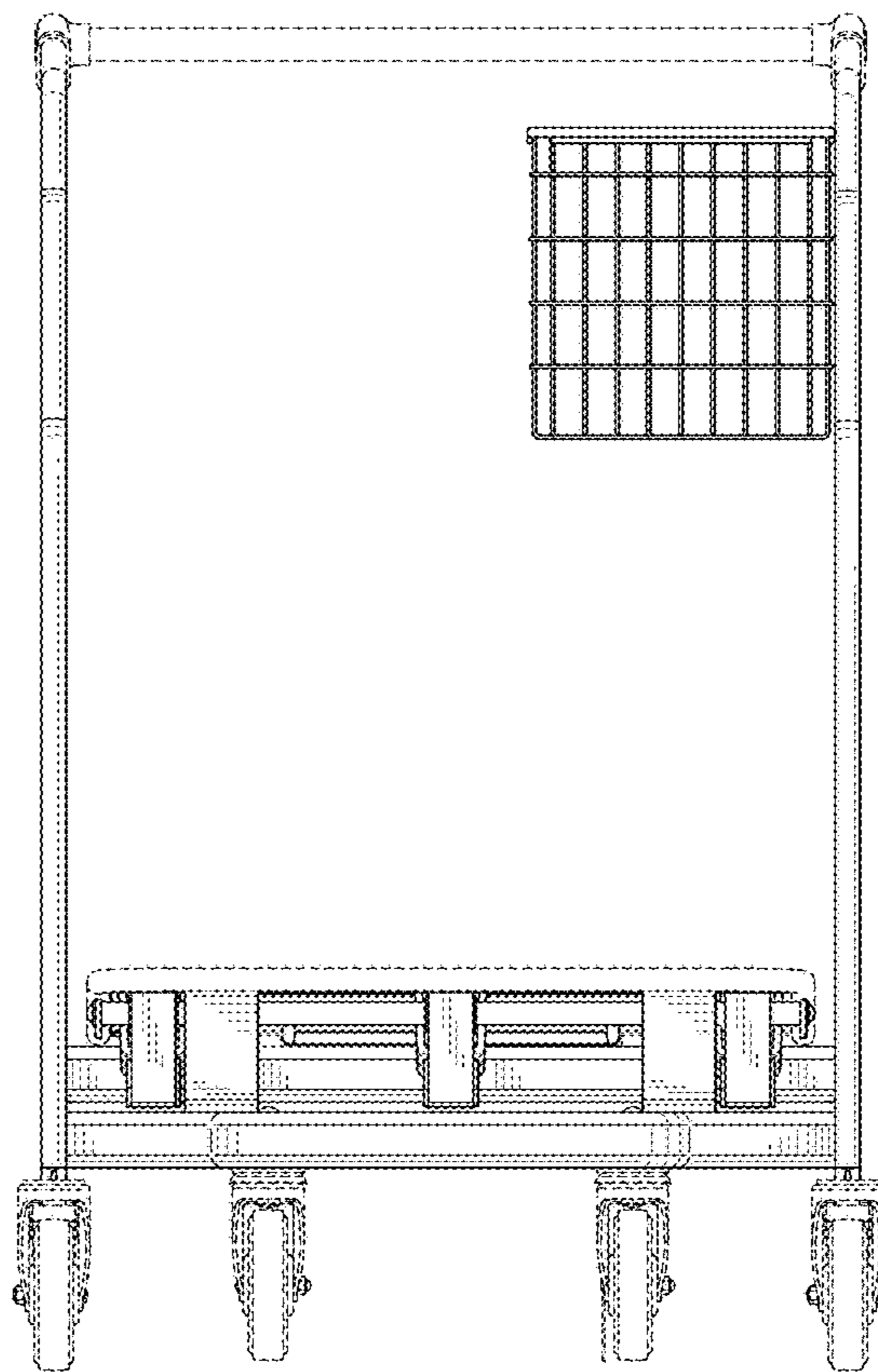


FIG.9

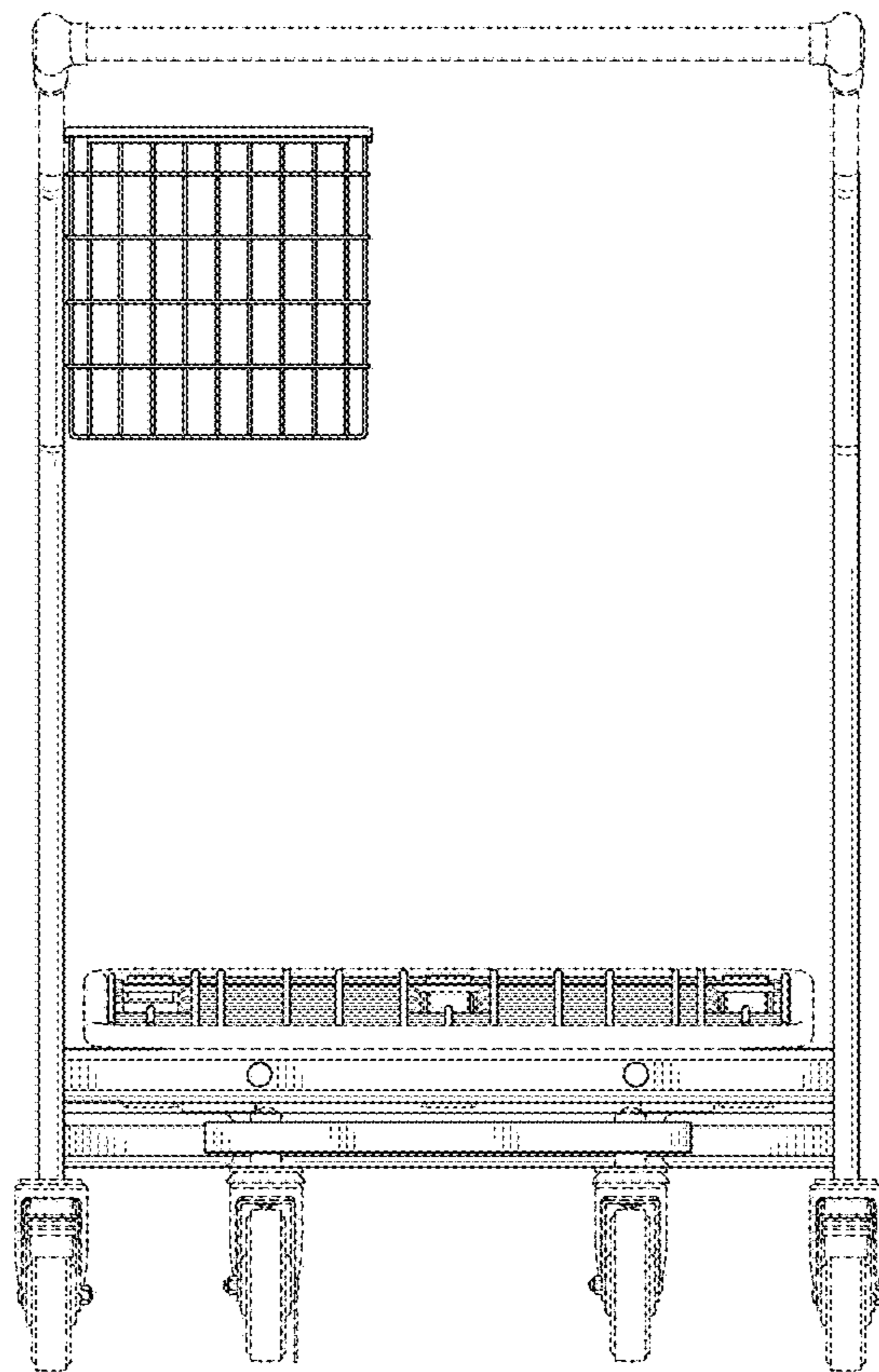


FIG.10

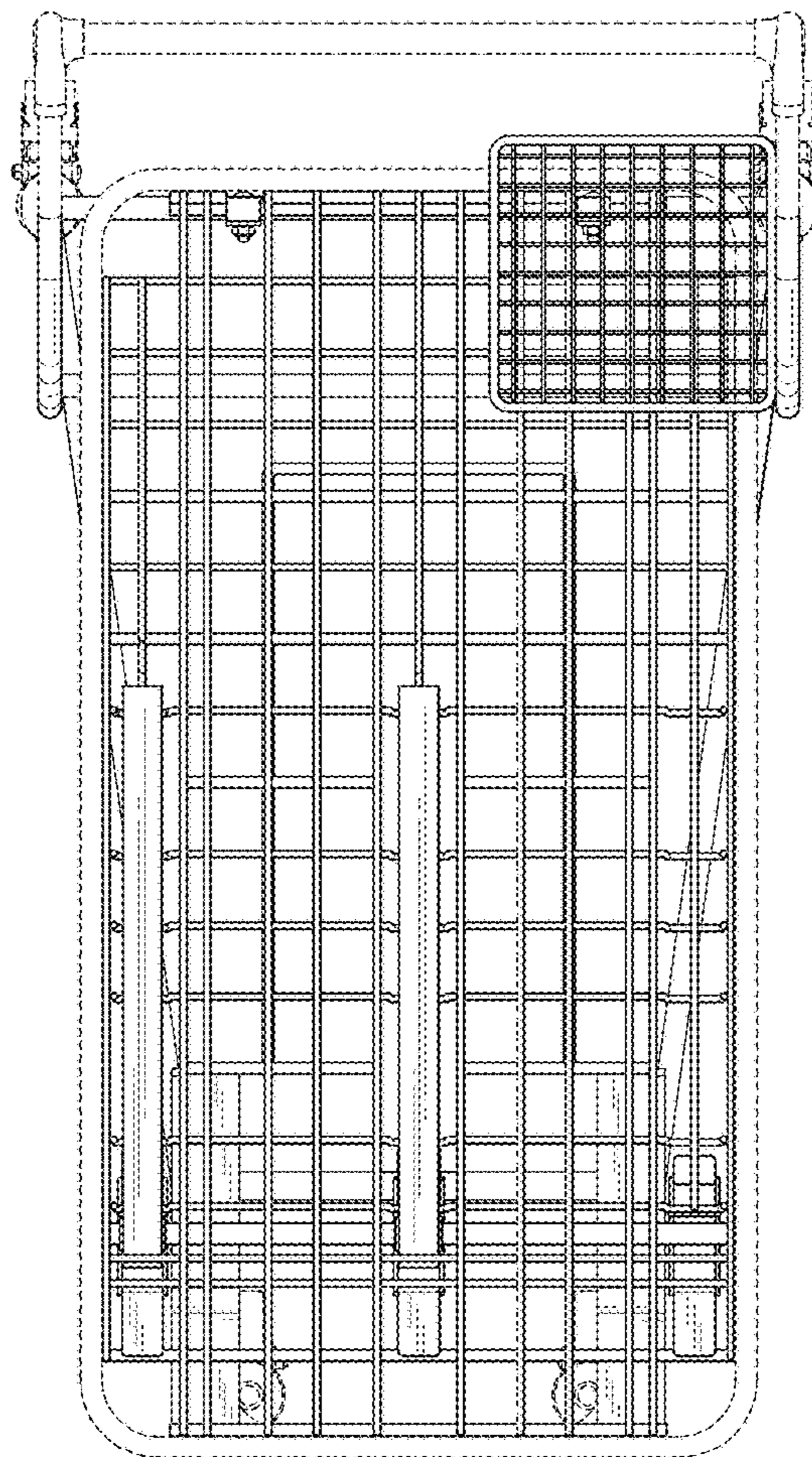


FIG.11

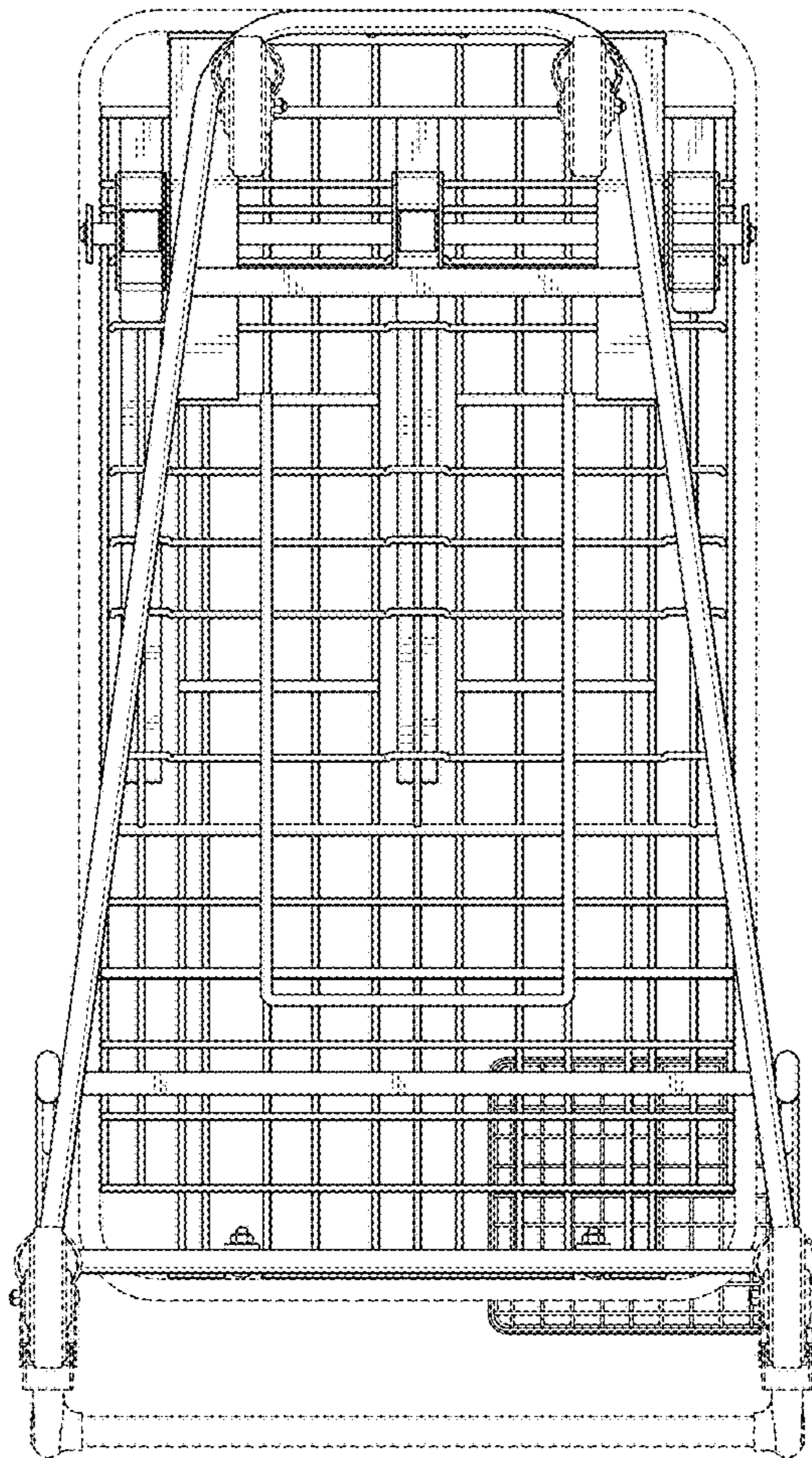


FIG.12