



US00D855274S

(12) **United States Design Patent** (10) **Patent No.:** **US D855,274 S**
Kopp et al. (45) **Date of Patent:** **** Jul. 30, 2019**

(54) **PLATFORM CART**
(71) Applicant: **Suncast Technologies, LLC**, Palm Beach Gardens, FL (US)
(72) Inventors: **Robert G. Kopp**, Elburn, IL (US); **Michael R. Vogler**, Oswego, IL (US)
(73) Assignee: **Suncast Technologies, LLC**, Palm Beach Gardens, FL (US)
(**) Term: **15 Years**
(21) Appl. No.: **29/604,062**
(22) Filed: **May 15, 2017**
(51) **LOC (11) Cl.** **12-02**
(52) **U.S. Cl.**
USPC **D34/17**
(58) **Field of Classification Search**
USPC D34/12, 17; 280/47.2, 47.18, 47.34, 651
CPC B62B 3/02; B62B 3/005; B62B 3/1404;
B62B 3/002; B62B 3/00; B62B 3/04;
B62B 3/001; B62B 3/022; B62B 3/027;
B62B 3/12
See application file for complete search history.

D340,335 S * 10/1993 Kean A47B 85/06
D34/17
D404,871 S * 1/1999 Golichowski B62B 5/067
D34/17
6,024,376 A * 2/2000 Golichowski B62B 3/022
16/35 R
D523,201 S * 6/2006 Widmer D34/12
D570,068 S * 5/2008 Dukes B62B 3/00
D34/17
D618,422 S * 6/2010 Catron D34/27
9,321,473 B2 * 4/2016 Kiser, III B62B 3/00
D779,145 S * 2/2017 Thuma B66F 9/12
D34/17
D787,770 S * 5/2017 Thuma B62B 3/02
D34/17
2003/0205873 A1 * 11/2003 Orozco B60B 33/0002
280/33.991
2007/0216116 A1 * 9/2007 Gallea A47B 85/06
280/47.36
2017/0072978 A1 * 3/2017 Kopp B62B 5/067

* cited by examiner

Primary Examiner — Cynthia Ramirez
(74) *Attorney, Agent, or Firm* — McHale & Slavin, P.A.

(57) **CLAIM**

The ornamental design for a platform cart, as shown and described.

(56) **References Cited**

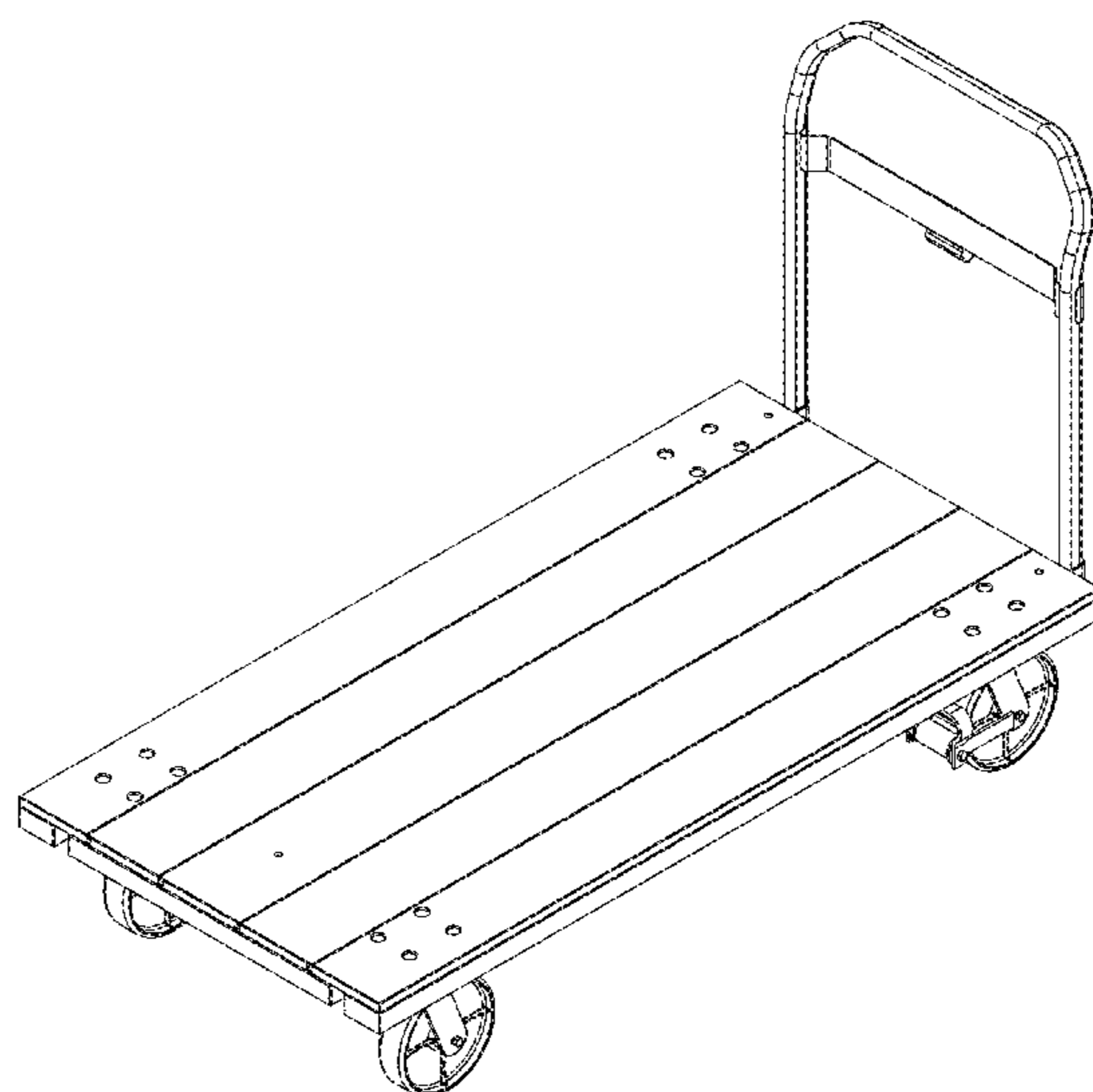
U.S. PATENT DOCUMENTS

2,610,751 A * 9/1952 Bevan B66F 9/12
108/52.1
2,763,389 A * 9/1956 Heidenrich B62D 49/007
280/43.24
4,274,644 A * 6/1981 Taylor B62B 3/02
280/39
4,458,906 A * 7/1984 Lamson B62B 3/00
280/47.34
D312,716 S * 12/1990 Stephens, III D34/12
D337,410 S * 7/1993 Jones D12/14
D340,334 S * 10/1993 Kean D34/17

DESCRIPTION

FIG. 1 is a top right isometric view of the platform cart of the present invention;
FIG. 2 is a left side view thereof;
FIG. 3 is a right side view thereof;
FIG. 4 is a top view thereof;
FIG. 5 is a bottom view thereof; and,
FIG. 6 is a front view thereof.
The broken lines in the figures are to show portions of the platform cart which form no part of the claimed design.

1 Claim, 6 Drawing Sheets



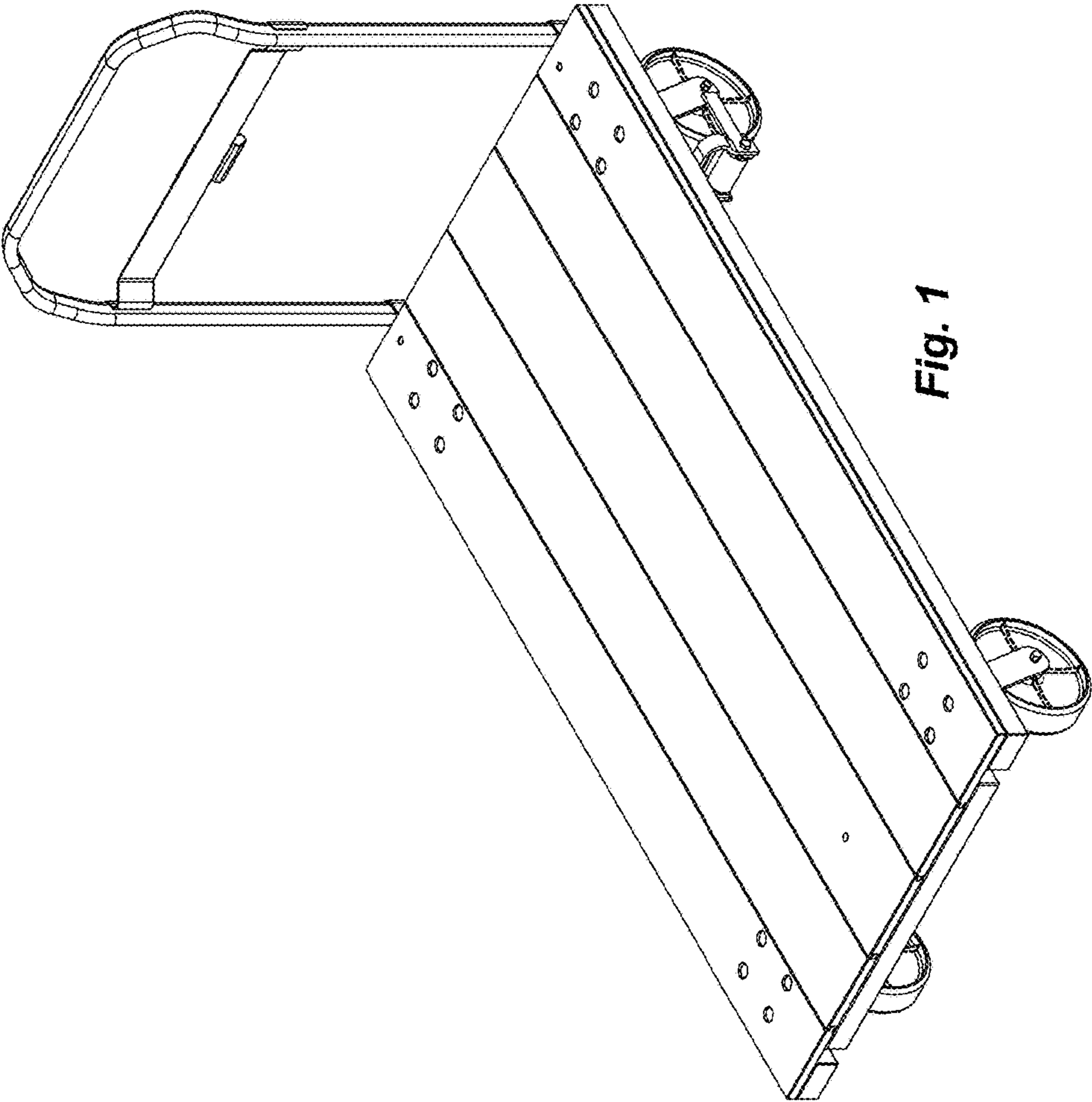


Fig. 1

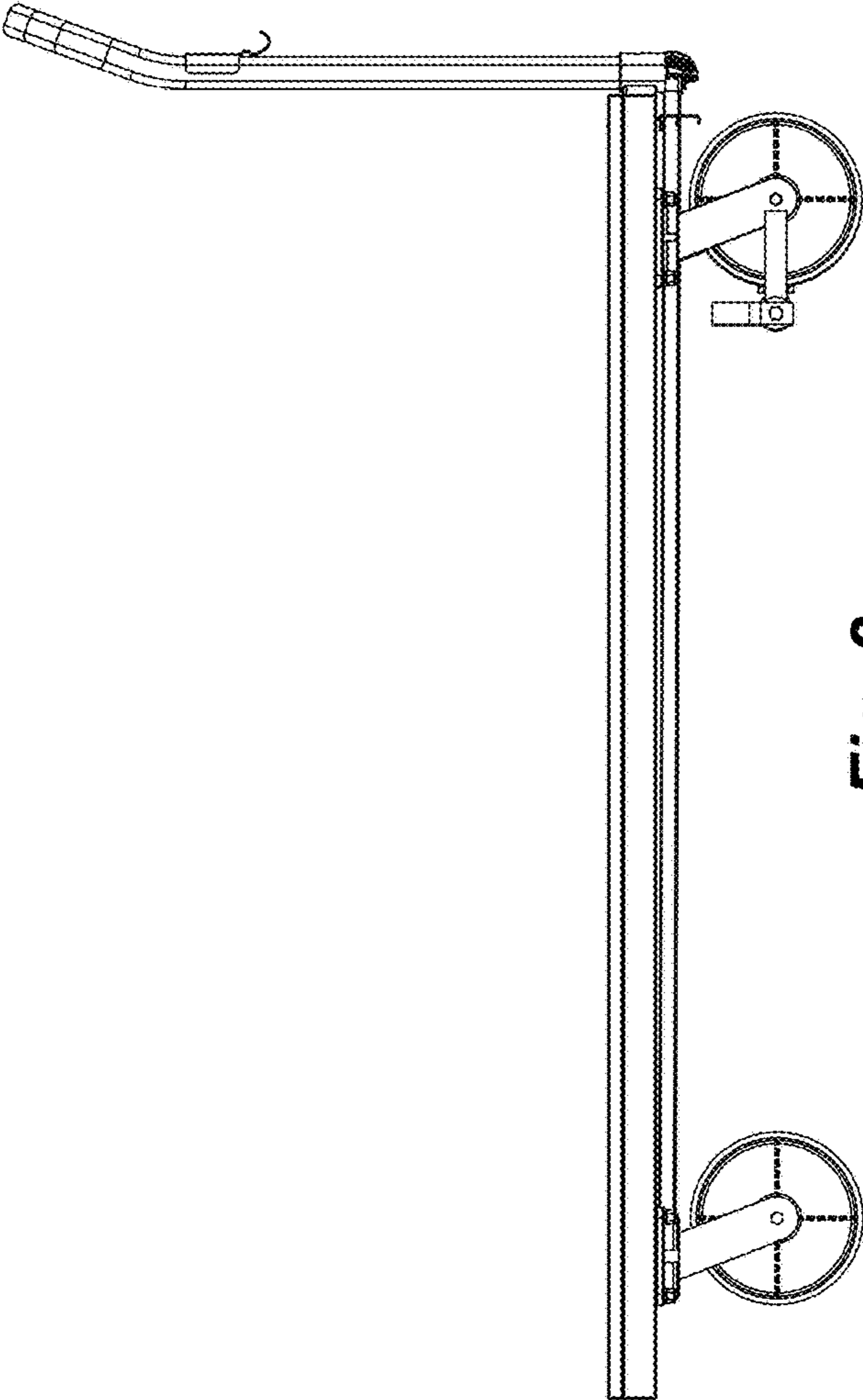


Fig. 2

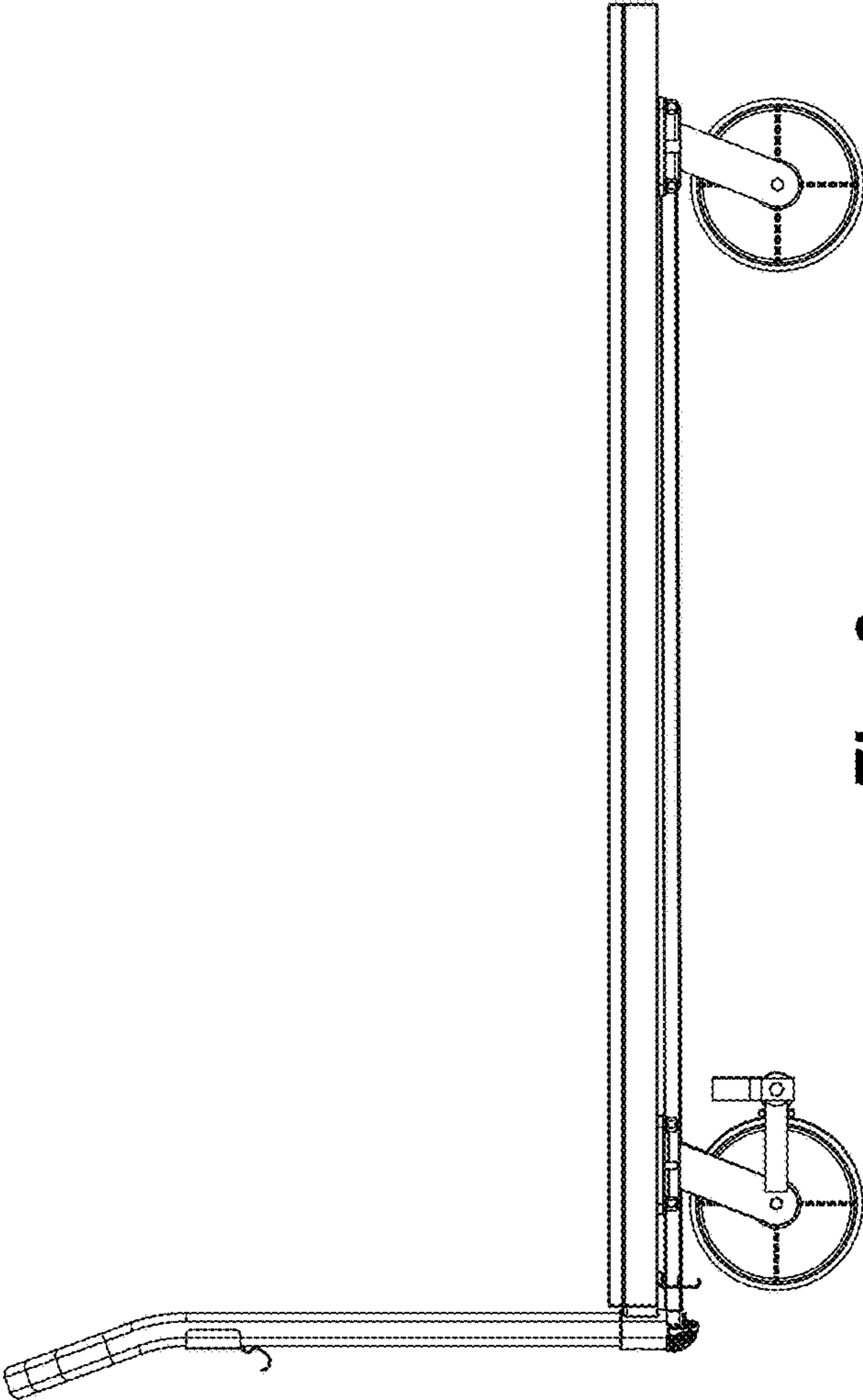


Fig. 3

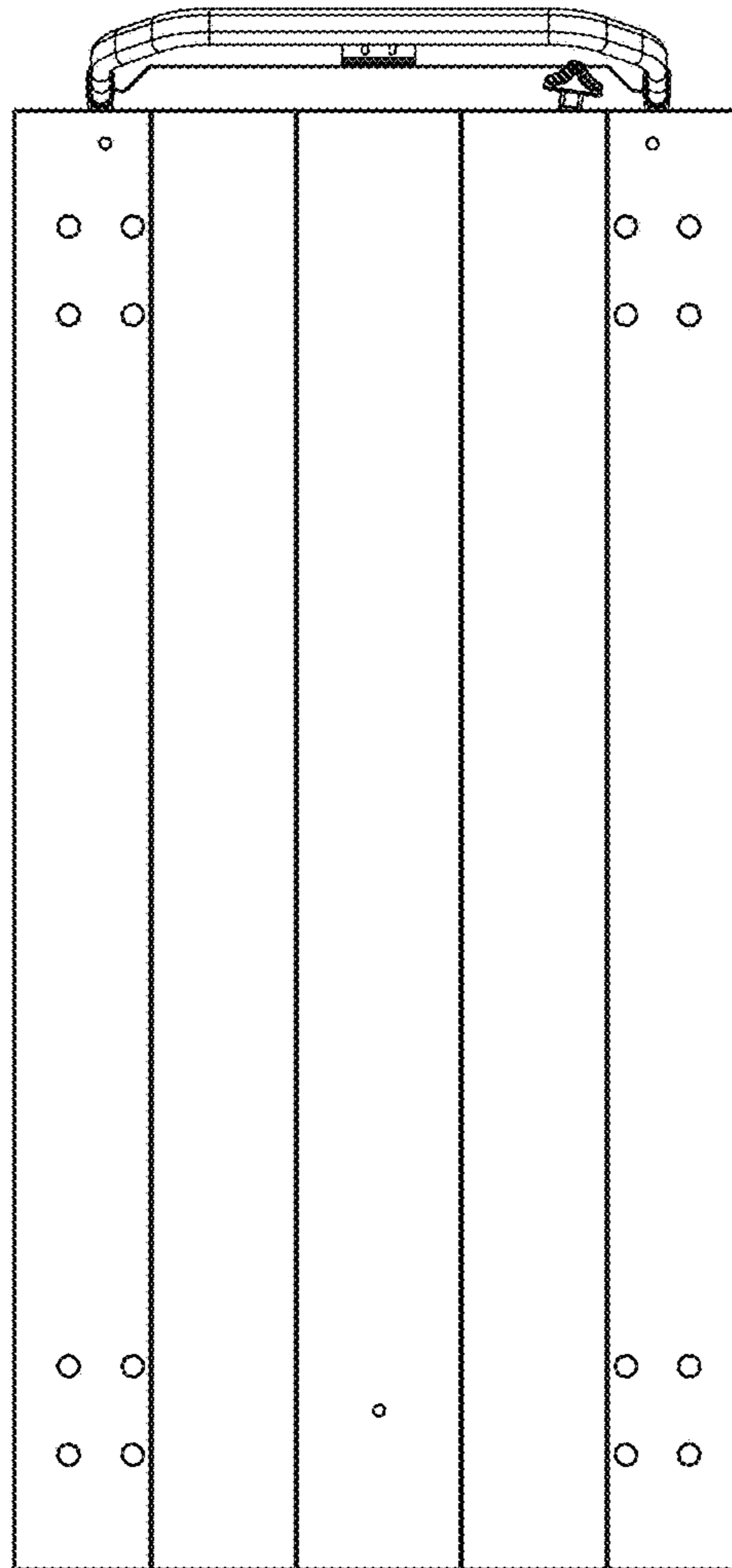


Fig. 4

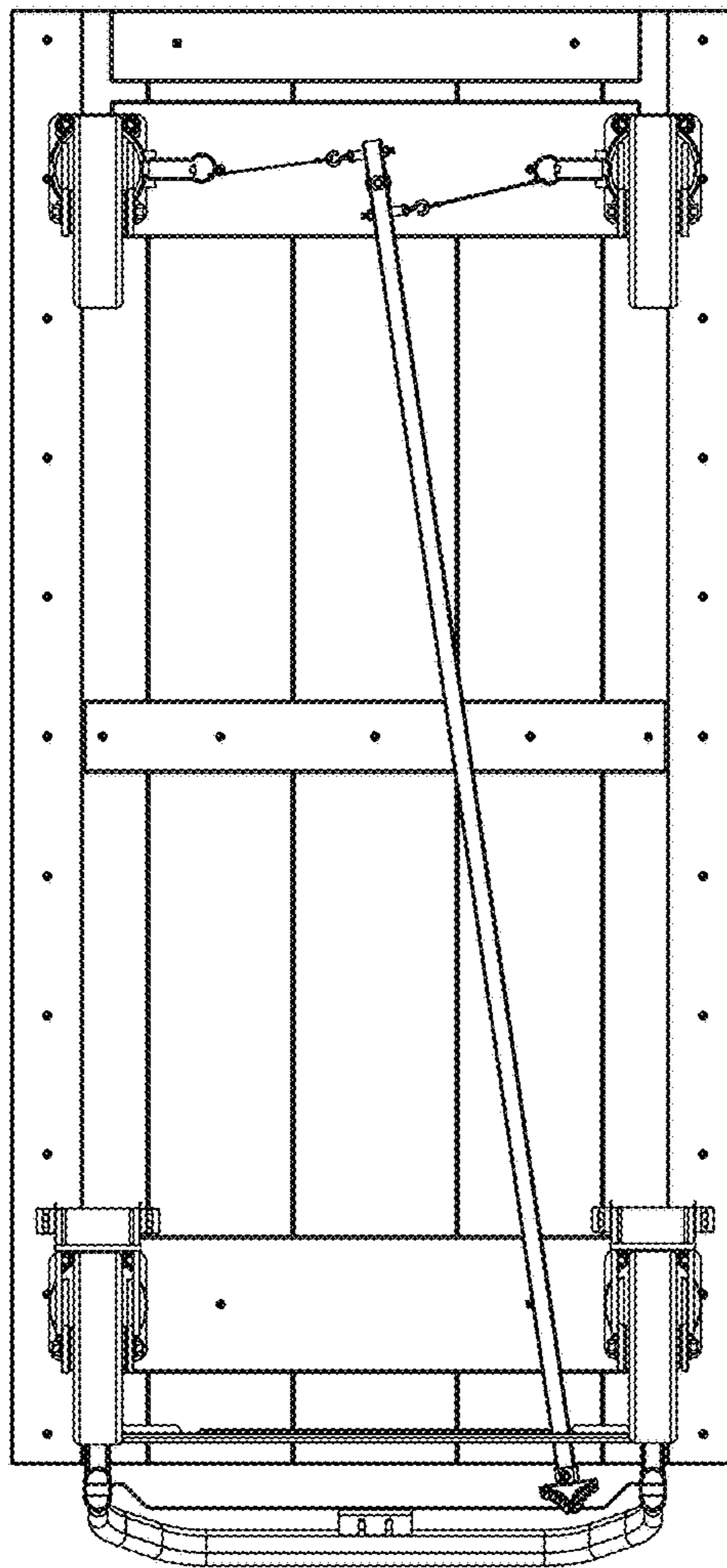


Fig. 5

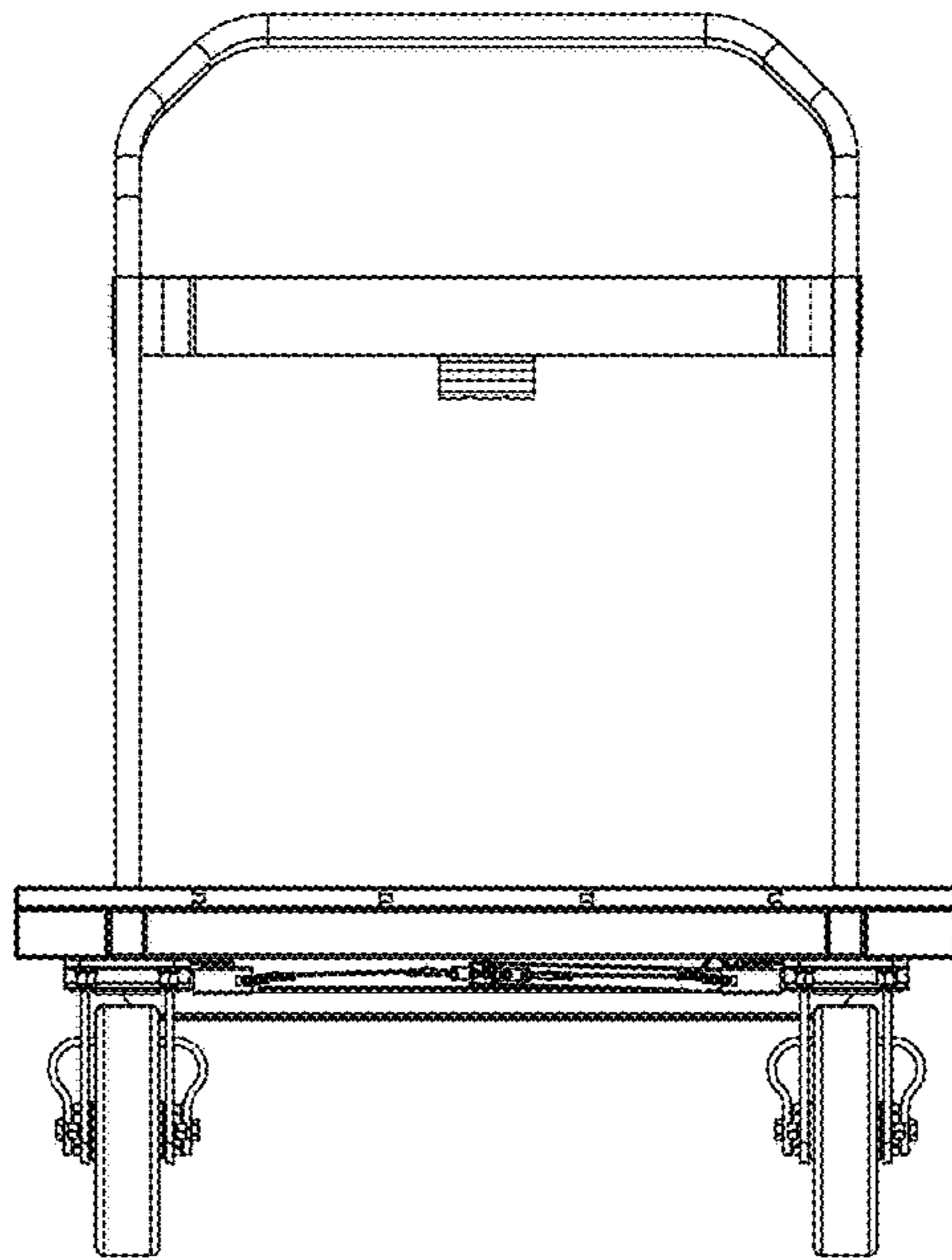


Fig. 6