



US00D855270S

(12) **United States Design Patent** (10) **Patent No.:** **US D855,270 S**
Dierickx (45) **Date of Patent:** **** Jul. 30, 2019**

(54) **SQUEEGEE**
(71) Applicant: **Edward Dierickx**, West Linn, OR (US)
(72) Inventor: **Edward Dierickx**, West Linn, OR (US)
(**) Term: **15 Years**
(21) Appl. No.: **29/646,724**

D285,014 S * 8/1986 Maciel D32/46
D312,155 S * 11/1990 Saunders D32/46
D343,559 S * 1/1994 Liberty D8/45
D377,889 S * 2/1997 Allison D7/688
D391,713 S * 3/1998 Laib D32/41
D392,078 S * 3/1998 Courts D32/46
D434,888 S * 12/2000 Hendricks D32/46
D453,981 S * 2/2002 Brown D28/63
D503,316 S * 3/2005 Webb D32/46
D511,873 S * 11/2005 Vitantonio D32/40

(Continued)

(22) Filed: **May 7, 2018**
(51) **LOC (11) Cl.** **07-05**
(52) **U.S. Cl.**
USPC **D32/41**
(58) **Field of Classification Search**
USPC D32/40-43, 46-47; D8/101, 107, 45
CPC ... A47L 1/06; A47L 1/00; A47L 13/20; A47L
13/254; A47L 13/11; A47L 13/10; A47L
13/16; A47L 13/12; G03D 15/02; F16K
1/22; B60S 1/38; A47K 7/03; B41F
15/40; B41F 15/42; B41F 15/14; B41F
15/44
See application file for complete search history.

FOREIGN PATENT DOCUMENTS

CA 83244 * 3/1998
CN 303316094 * 8/2015

OTHER PUBLICATIONS

GDI Tools | Squeegee Essentials, website no date, <https://gditools.com/products/squeegee-essentials/>, site visited Sep. 17, 2018.*

Primary Examiner — John Windmuller

Assistant Examiner — John R Yeh

(74) *Attorney, Agent, or Firm* — Mark S Hubert

(56) **References Cited**

U.S. PATENT DOCUMENTS

D19,979 S * 7/1890 Spriull D32/46
D32,484 S * 4/1900 Bowles D32/46
802,788 A * 10/1905 Weidner A47L 1/06
15/245
949,148 A * 2/1910 Davis A47L 13/16
15/118
1,280,541 A * 10/1918 Potthoff A47L 13/16
15/118
D208,190 S * 8/1967 Parry D32/46
3,566,784 A * 3/1971 Mitter B41F 15/426
101/120
D241,603 S * 9/1976 MacNeill D7/691
4,030,410 A * 6/1977 Zimmer B41F 15/44
101/120
D261,601 S * 11/1981 Kettlestrings D32/40
D269,944 S * 8/1983 Young D32/40
D280,109 S * 8/1985 Lewis 15/210.1

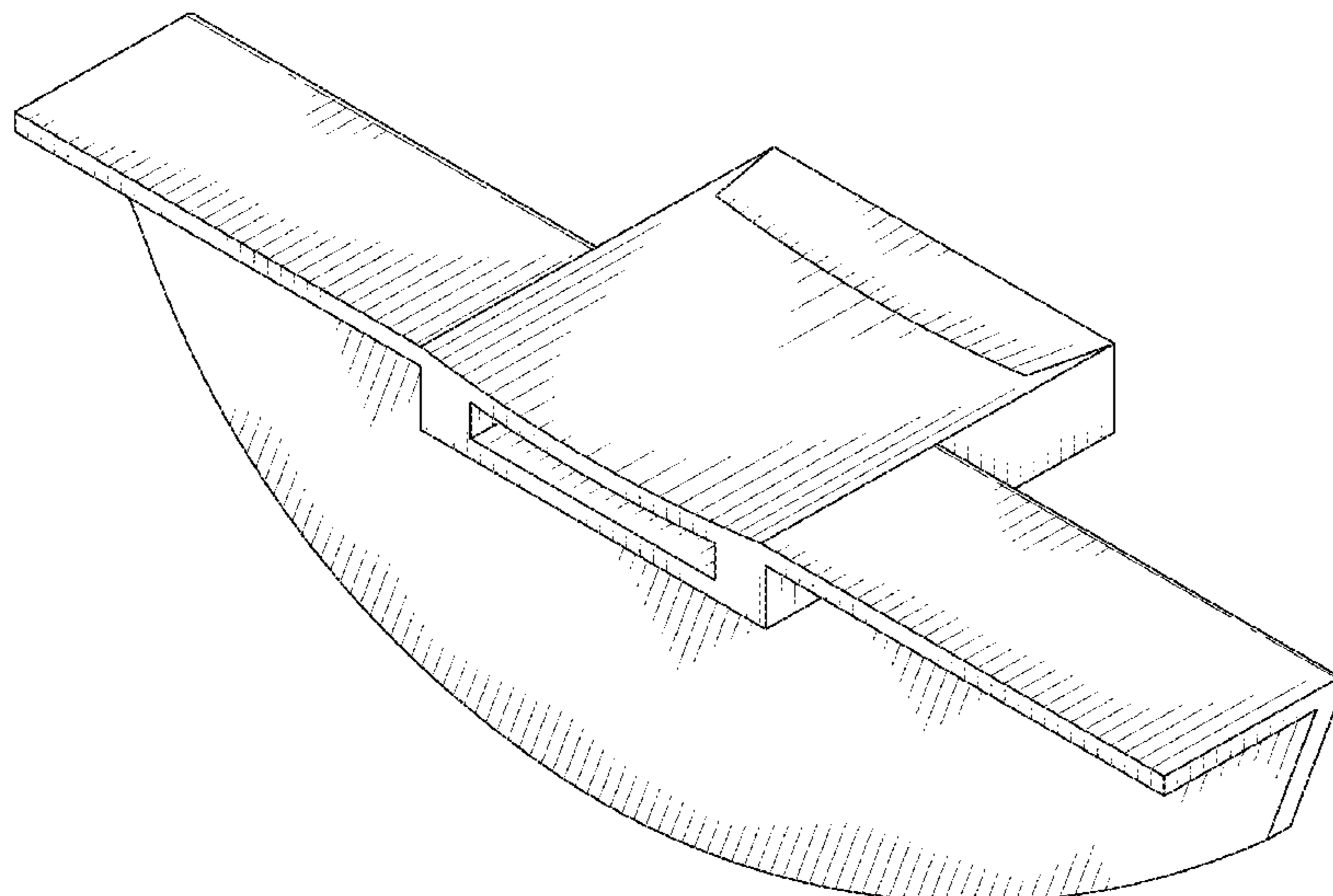
(57) **CLAIM**

I claim the ornamental design for the squeegee, as shown and described.

DESCRIPTION

FIG. 1 is a perspective view of the squeegee showing my new design;
FIG. 2 is a front view of the squeegee;
FIG. 3 is a rear view of the squeegee;
FIG. 4 is a left-side view of the squeegee;
FIG. 5 is a right-side view of the squeegee;
FIG. 6 is a top view of the squeegee; and,
FIG. 7 is a bottom view of the squeegee.
The broken lines represent portions of the squeegee that form no part of the claimed design.

1 Claim, 7 Drawing Sheets



(56)

References Cited

U.S. PATENT DOCUMENTS

D706,109 S * 6/2014 McGarrity A47K 13/10
D8/307
9,066,641 B2 * 6/2015 Varner A47L 1/06
9,327,480 B1 * 5/2016 Calman B29C 65/785
9,521,938 B2 * 12/2016 Eisenhut A47L 13/16

* cited by examiner

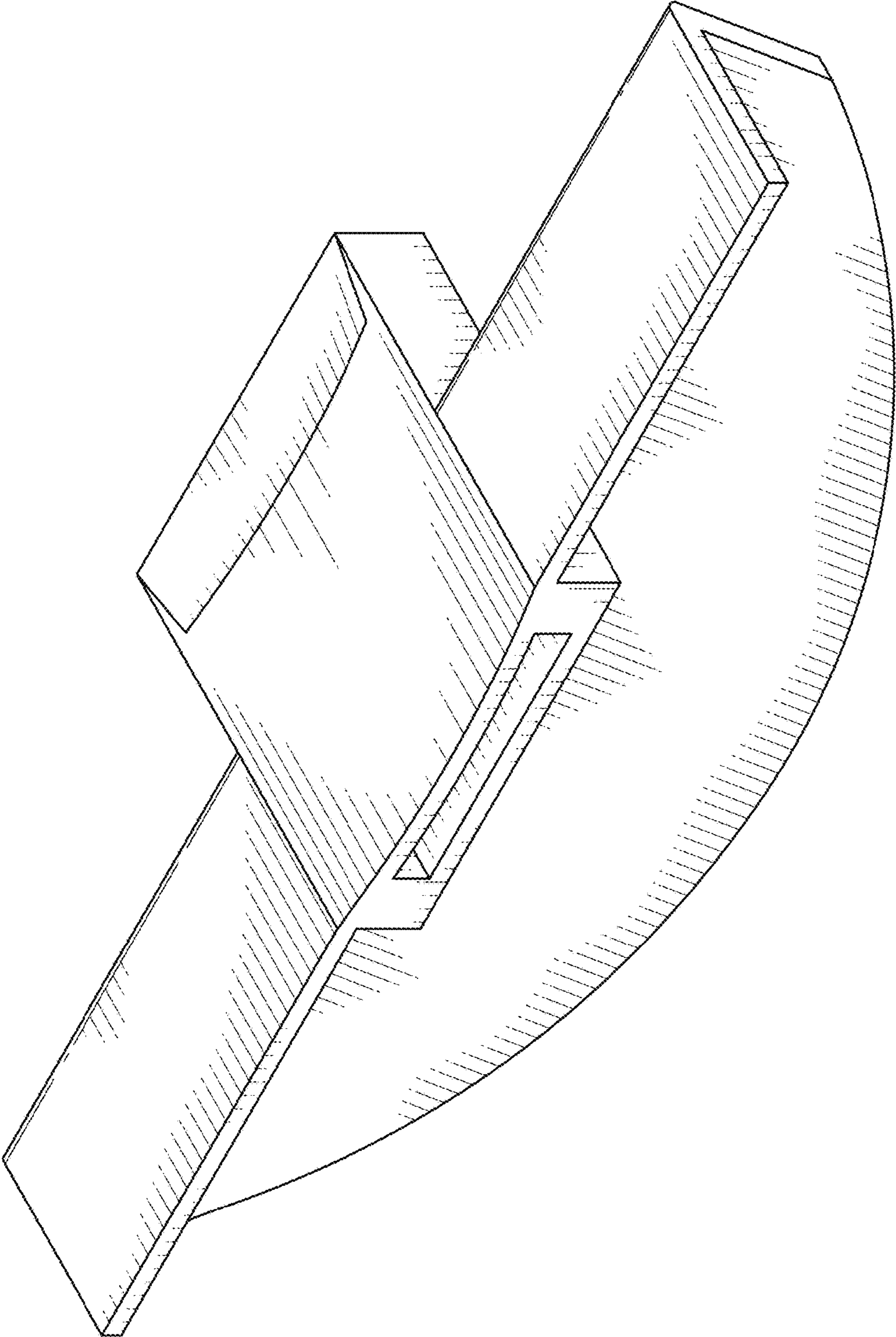


FIG. 1

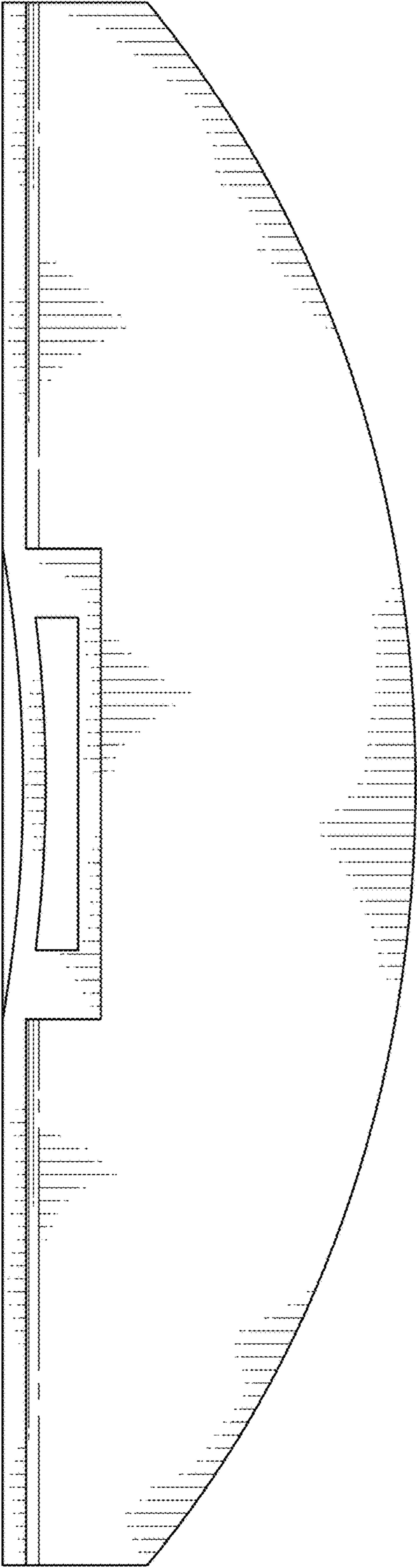


FIG. 2

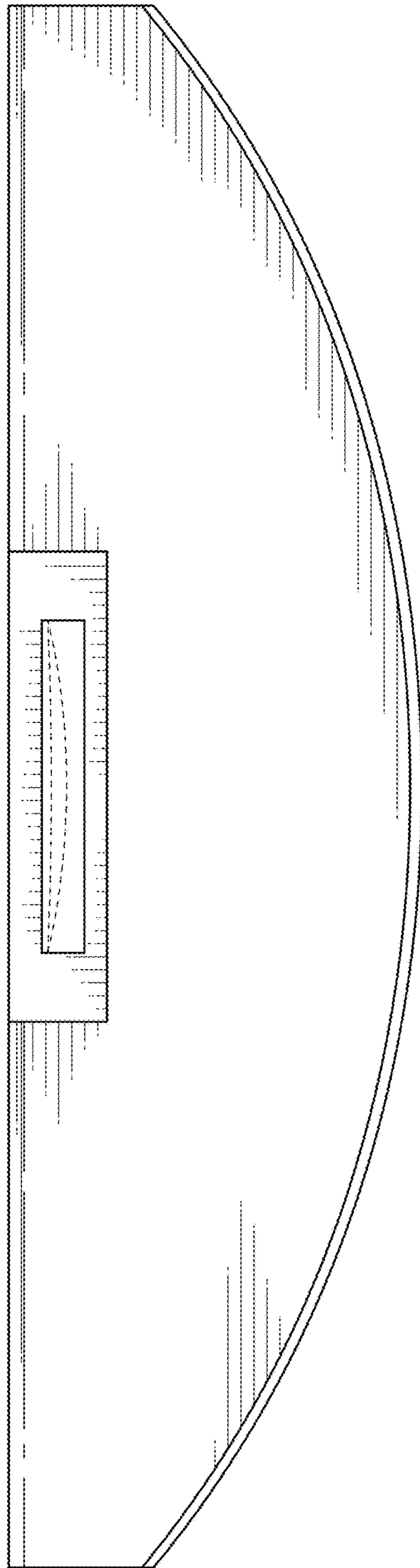


FIG. 3

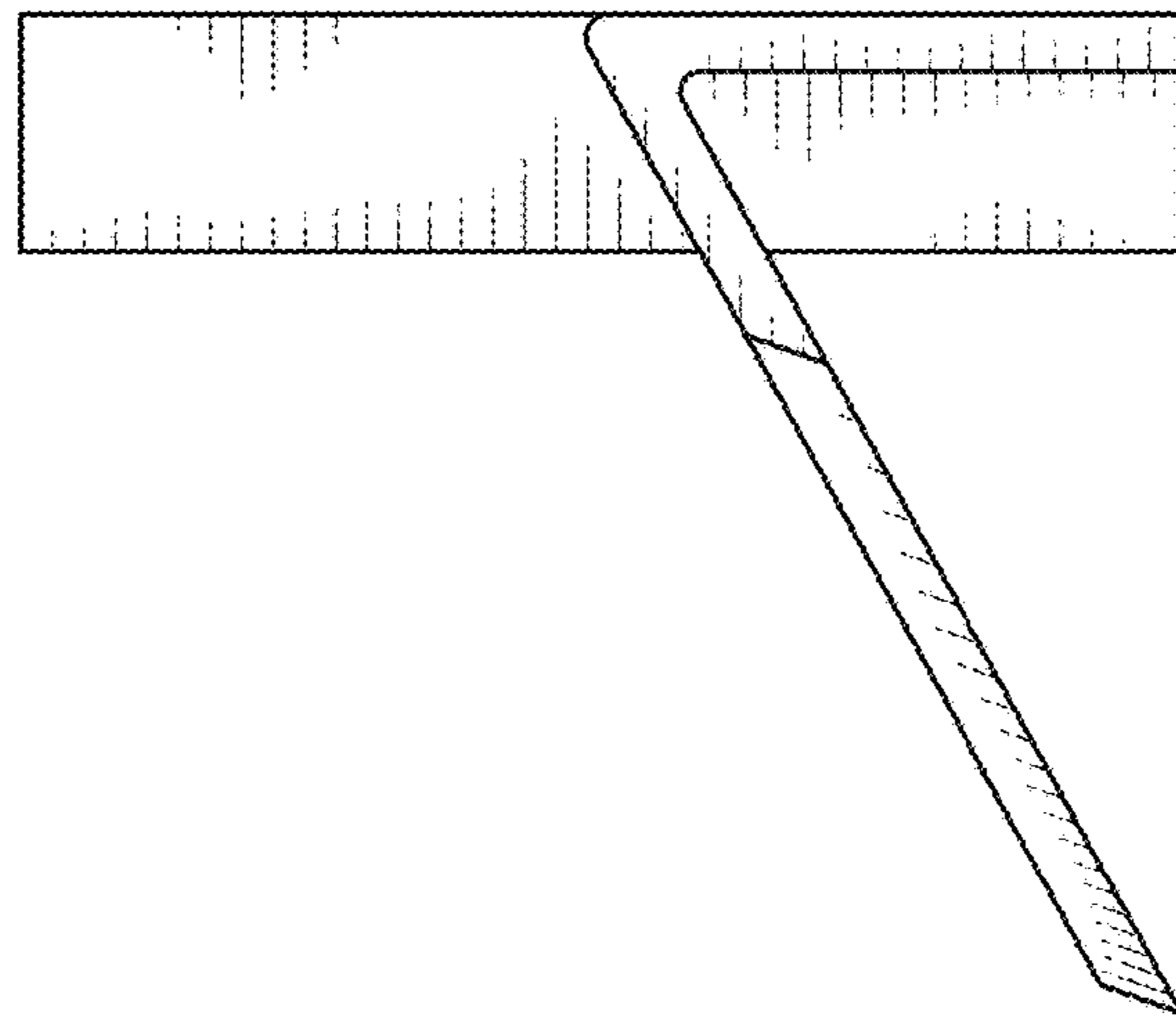


FIG. 4

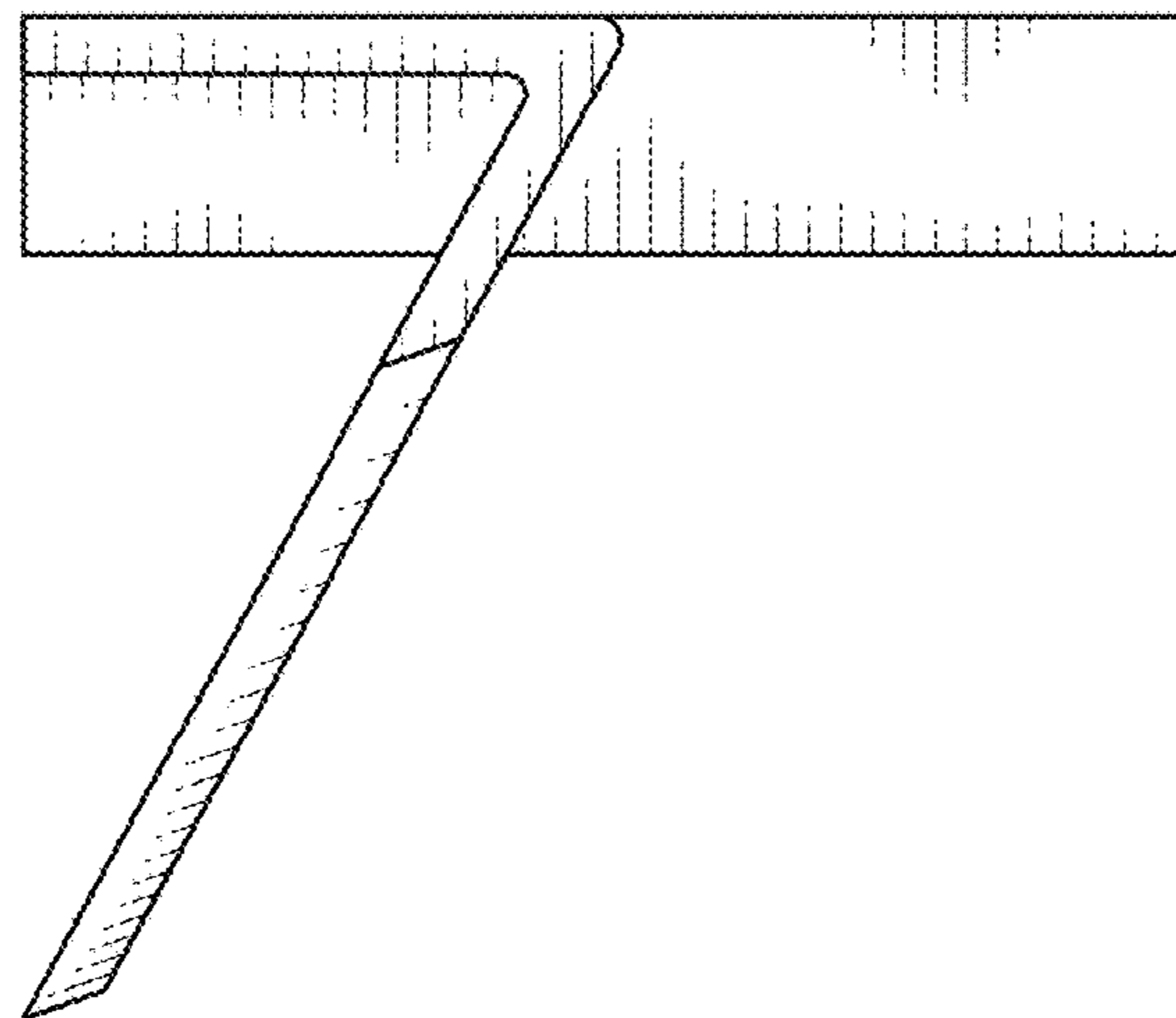


FIG. 5

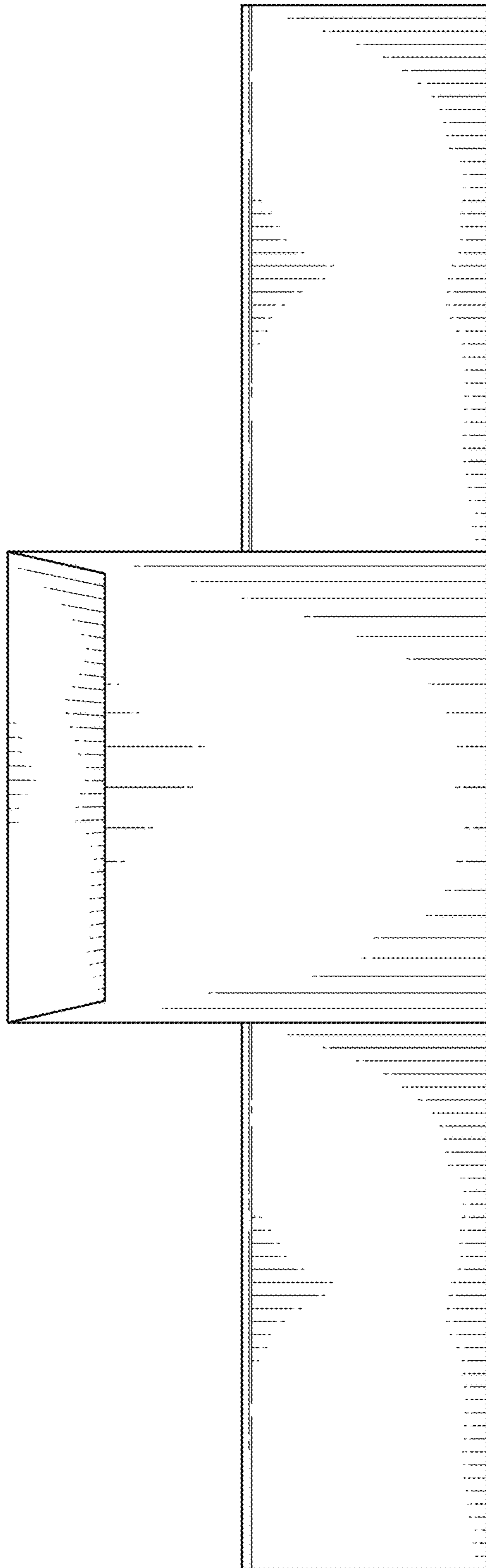


FIG. 6

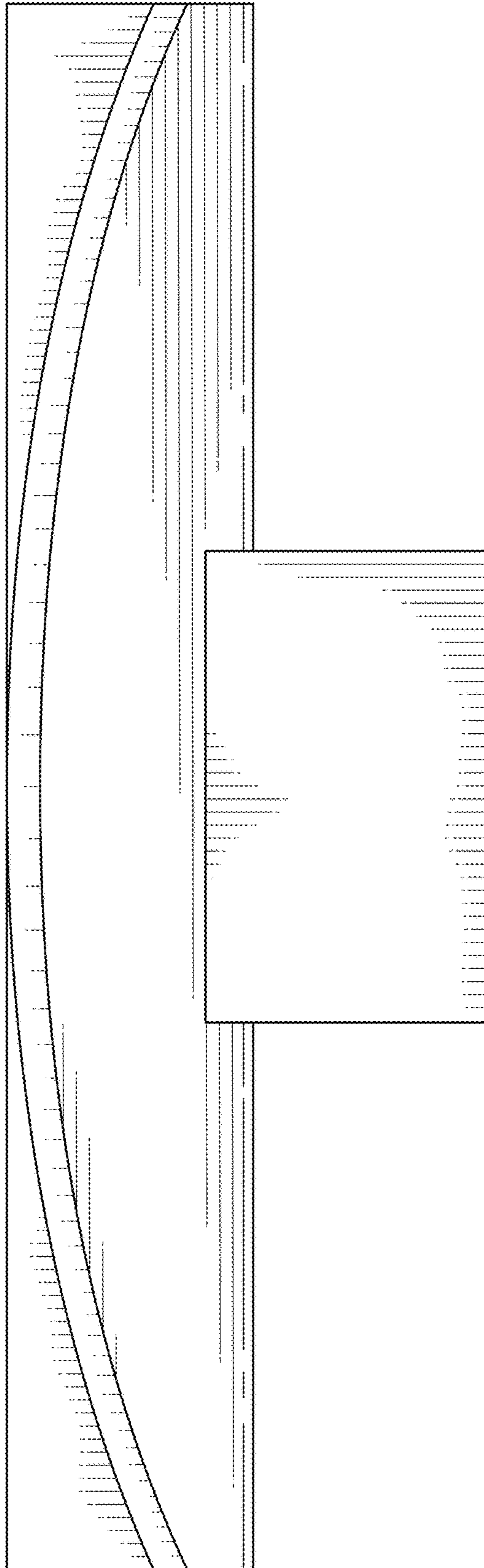


FIG. 7