



US00D855266S

(12) **United States Design Patent** (10) **Patent No.:** **US D855,266 S**
Chung et al. (45) **Date of Patent:** **** Jul. 30, 2019**

(54) **WASHING MACHINE**

2222/00; D06F 23/04; D06F 25/00; D06F 29/005; D06F 37/02; D06F 37/04; D06F

(71) Applicant: **LG ELECTRONICS INC.**, Seoul (KR)

(Continued)

(72) Inventors: **Wookjun Chung**, Seoul (KR); **Hoil Jeon**, Seoul (KR); **Yeji Um**, Seoul (KR); **Miju Kim**, Seoul (KR); **Jaemyung Lim**, Seoul (KR); **Kihyuk Kim**, Seoul (KR)

(56) **References Cited**

U.S. PATENT DOCUMENTS

D489,496 S * 5/2004 Sneddon D32/6
D764,120 S * 8/2016 Choi D32/6

(Continued)

(73) Assignee: **LG ELECTRONICS INC.**, Seoul (KR)

Primary Examiner — Khawaja Anwar

(74) *Attorney, Agent, or Firm* — Birch, Stewart, Kolasch & Birch, LLP

(**) Term: **15 Years**

(21) Appl. No.: **35/504,265**

(57) **CLAIM**

The ornamental design for a washing machine, as shown and described.

(22) Filed: **Jul. 5, 2017**

(80) **Hague Agreement Data**

Int. Filing Date: **Jul. 5, 2017**

Int. Reg. No.: **DM/097077**

Int. Reg. Date: **Jul. 5, 2017**

Int. Reg. Pub. Date: **Jan. 5, 2018**

DESCRIPTION

(30) **Foreign Application Priority Data**

Jan. 6, 2017 (KR) 30-2017-0001075

(51) **LOC (11) Cl.** **15-05**

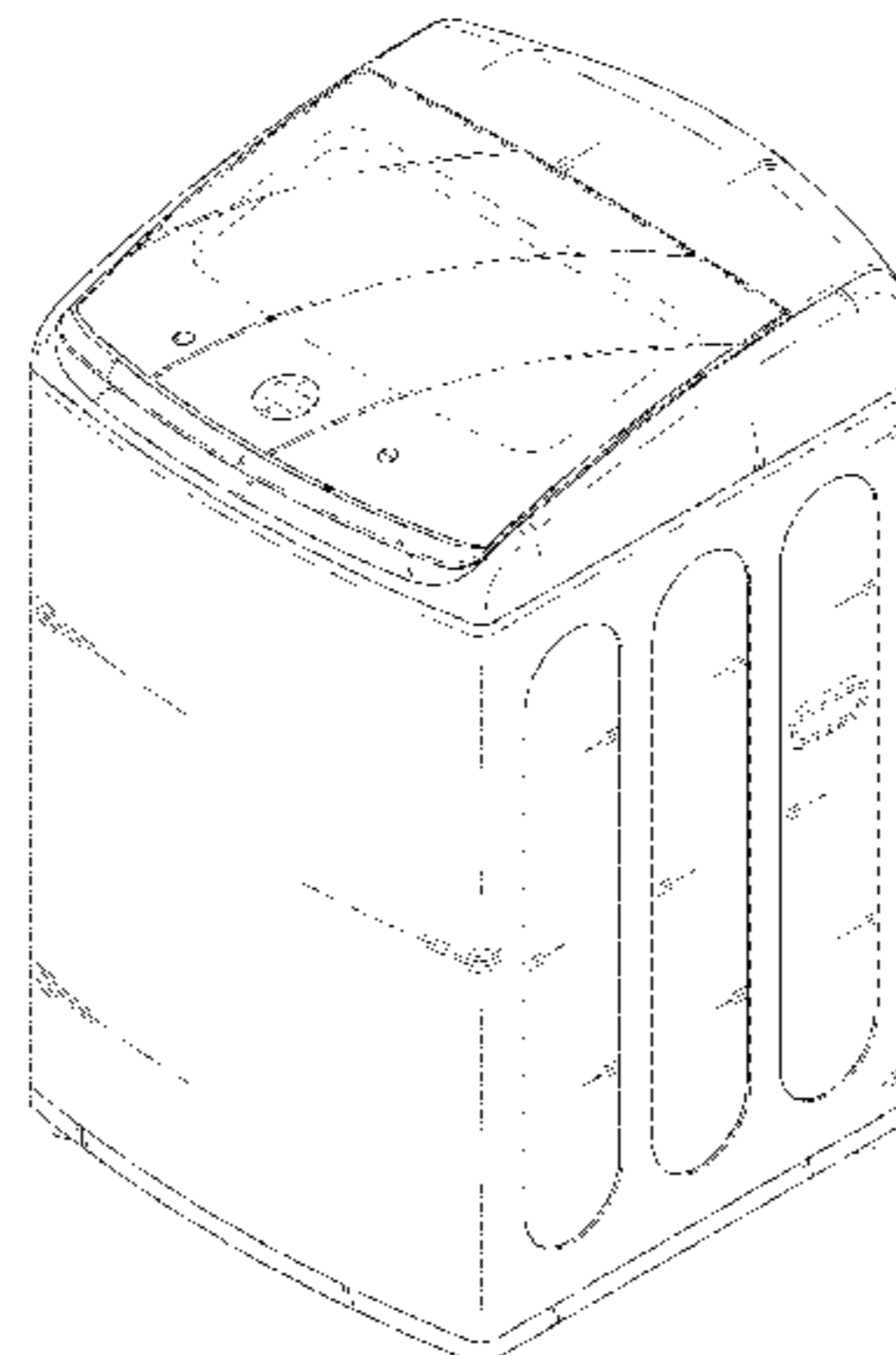
(52) **U.S. Cl.**
USPC **D32/6**

(58) **Field of Classification Search**
USPC D32/1, 5, 6, 8, 10, 25, 28, 29, 29.1
CPC D06F 33/02; D06F 37/22; D06F 39/02; D06F 2058/2864; D06F 2058/287; D06F 2204/086; D06F 35/006; D06F 37/265; D06F 37/268; D06F 58/206; D06F 58/28; D06F 13/00; D06F 13/02; D06F 17/06; D06F 17/10; D06F 2202/085; D06F 2202/10; D06F 2202/12; D06F 2204/04; D06F 2204/065; D06F 2204/082; D06F

- 1. Washing machine
- 1.1 : Perspective
- 1.2 : Front
- 1.3 : Back
- 1.4 : Left
- 1.5 : Top
- 1.6 : Bottom
- 1.7 : Reference view 1
- 1.8 : Reference view 2

The broken lines depict portions of the washing machine that form no part of the claimed designs; reproduction 1.1 is a front perspective view of the washing machine; reproduction 1.2 is a front view thereof; reproduction 1.3 is a back view thereof; reproduction 1.4 is a left view thereof where the right view is a mirror image; reproduction 1.5 is a top view thereof; reproduction 1.6 is a bottom view thereof; reproduction 1.7 is a reference enlarged view thereof showing an example of the usage of the design in which the letters are printed on the control panel part when the display part of the top door is not operated; reproduction 1.8 is a reference

(Continued)



enlarged view thereof showing an example of the usage of the design in which the display part of the top door is operated.

1 Claim, 8 Drawing Sheets

(58) **Field of Classification Search**

CPC 37/14; D06F 37/203; D06F 37/206; D06F 37/225; D06F 37/24; D06F 37/267; D06F 37/28; D06F 37/36; D06F 37/40; D06F 39/005; D06F 39/006; D06F 39/007; D06F 39/024; D06F 39/12; D06F 39/14; D06F 58/20

See application file for complete search history.

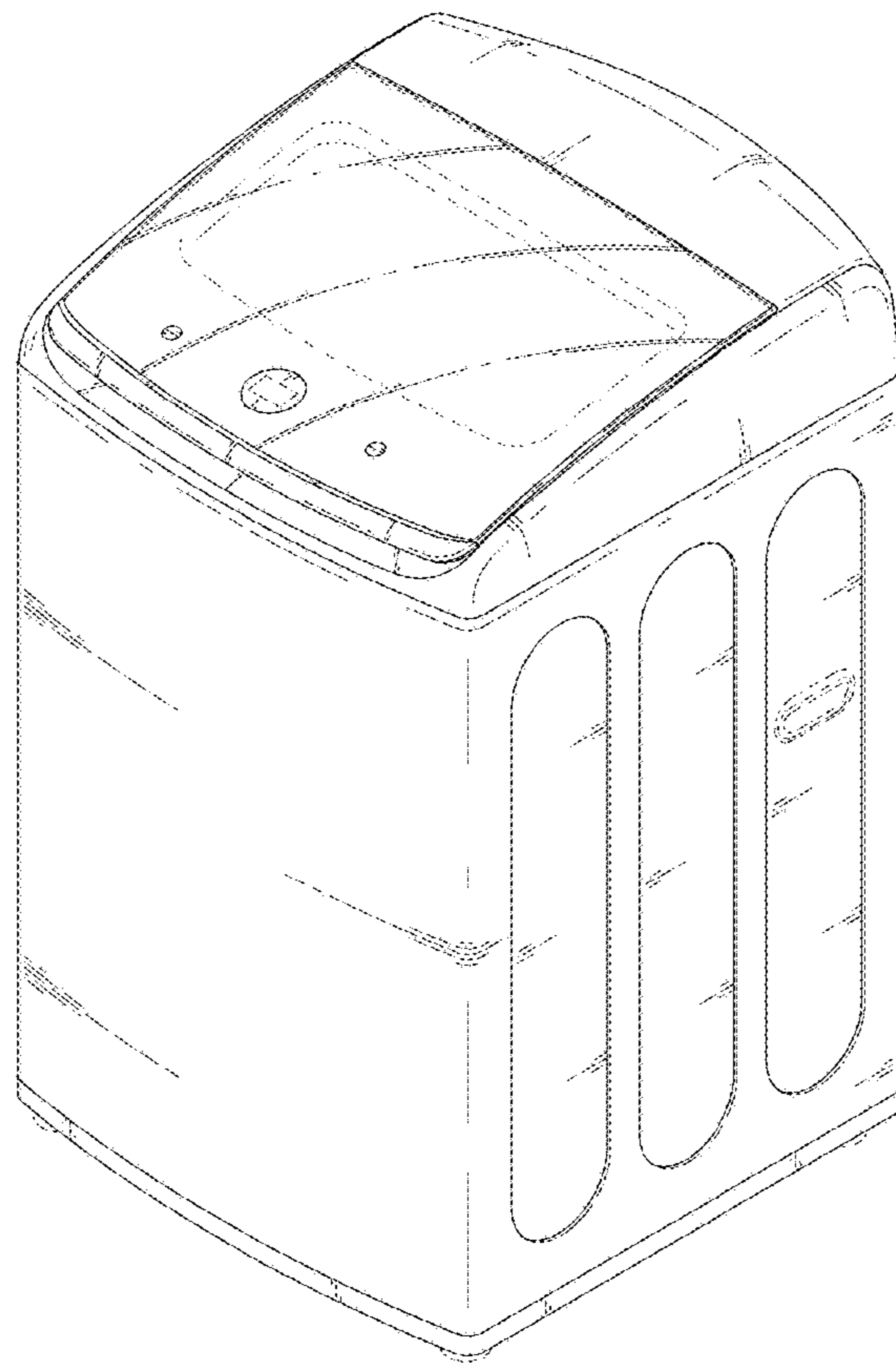
(56) **References Cited**

U.S. PATENT DOCUMENTS

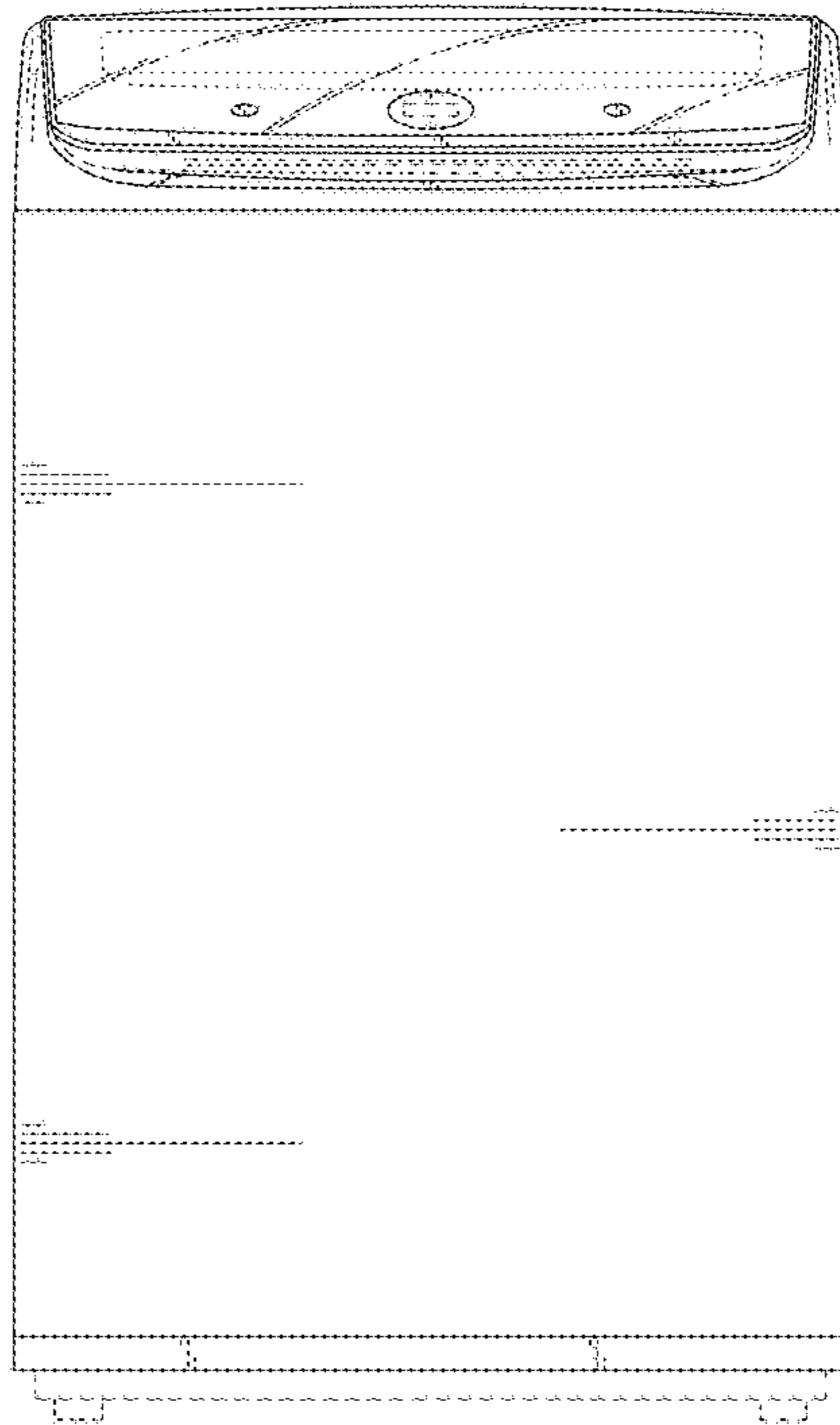
D764,121	S	*	8/2016	Choi	D32/6
D775,437	S	*	12/2016	Yoon	D32/6
D775,438	S	*	12/2016	Kang	D32/6
D783,212	S	*	4/2017	Jeon	D32/6
D783,213	S	*	4/2017	Jeon	D32/6
D783,214	S	*	4/2017	Jeon	D32/6

* cited by examiner

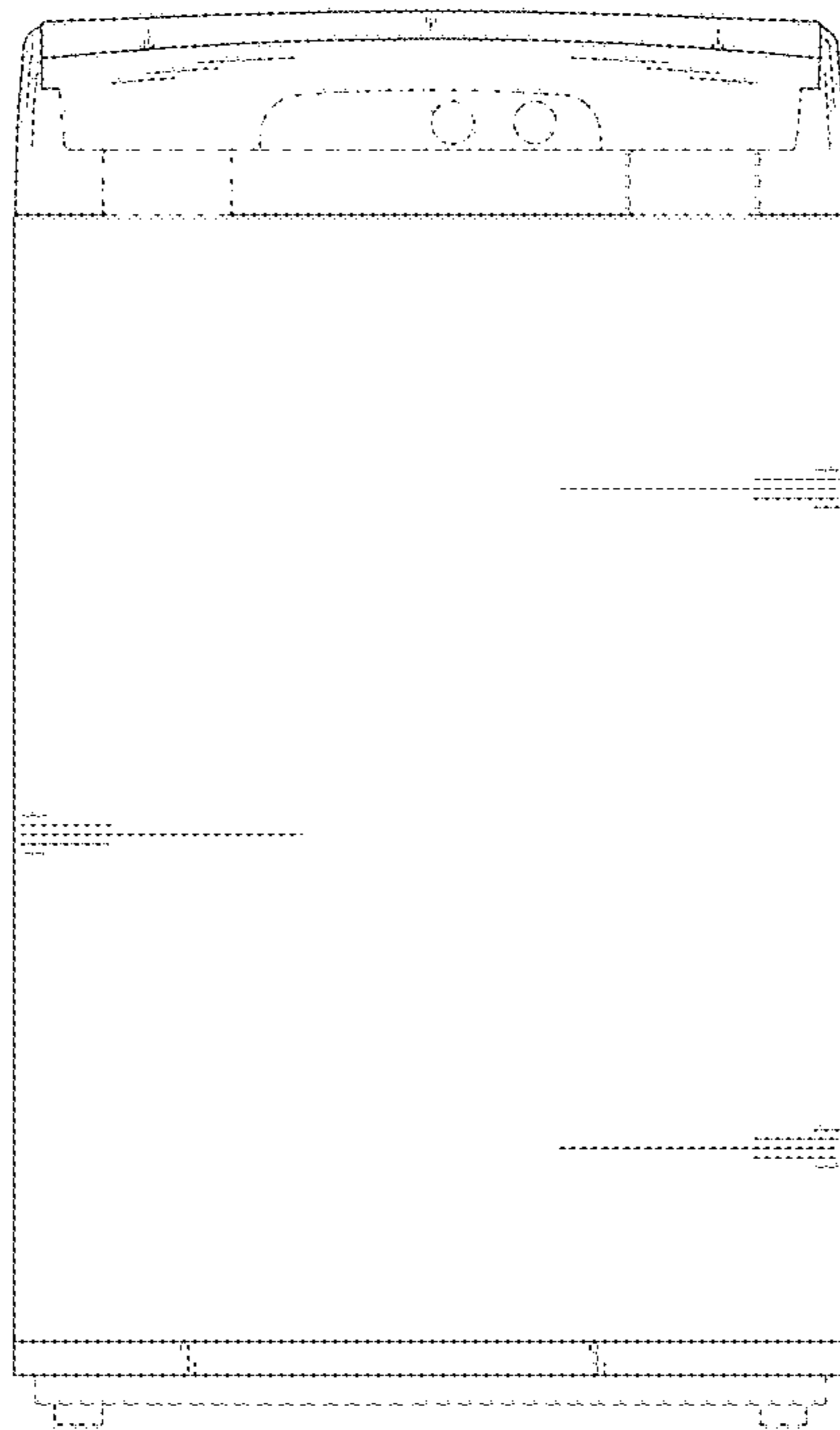
1.1



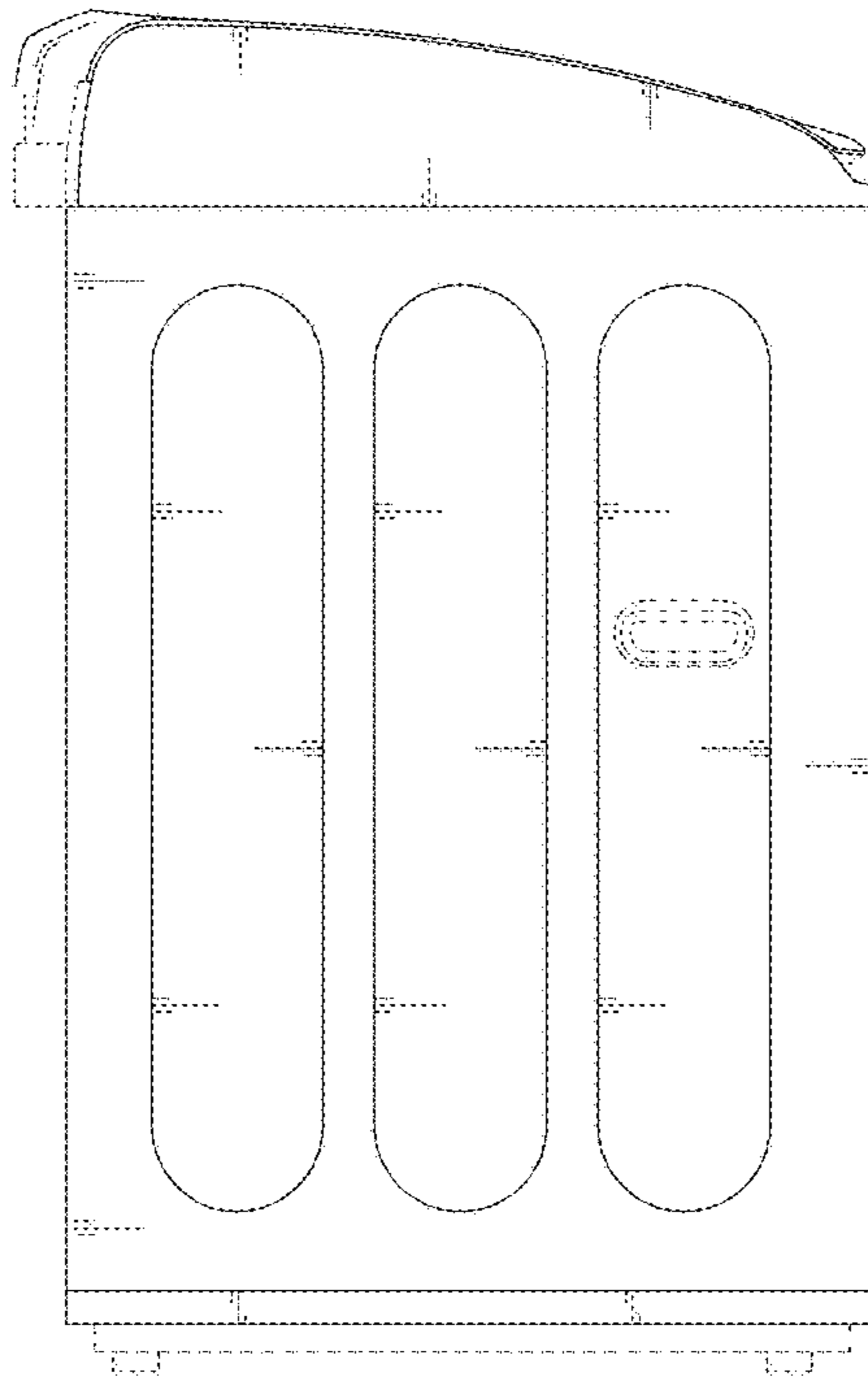
1.2



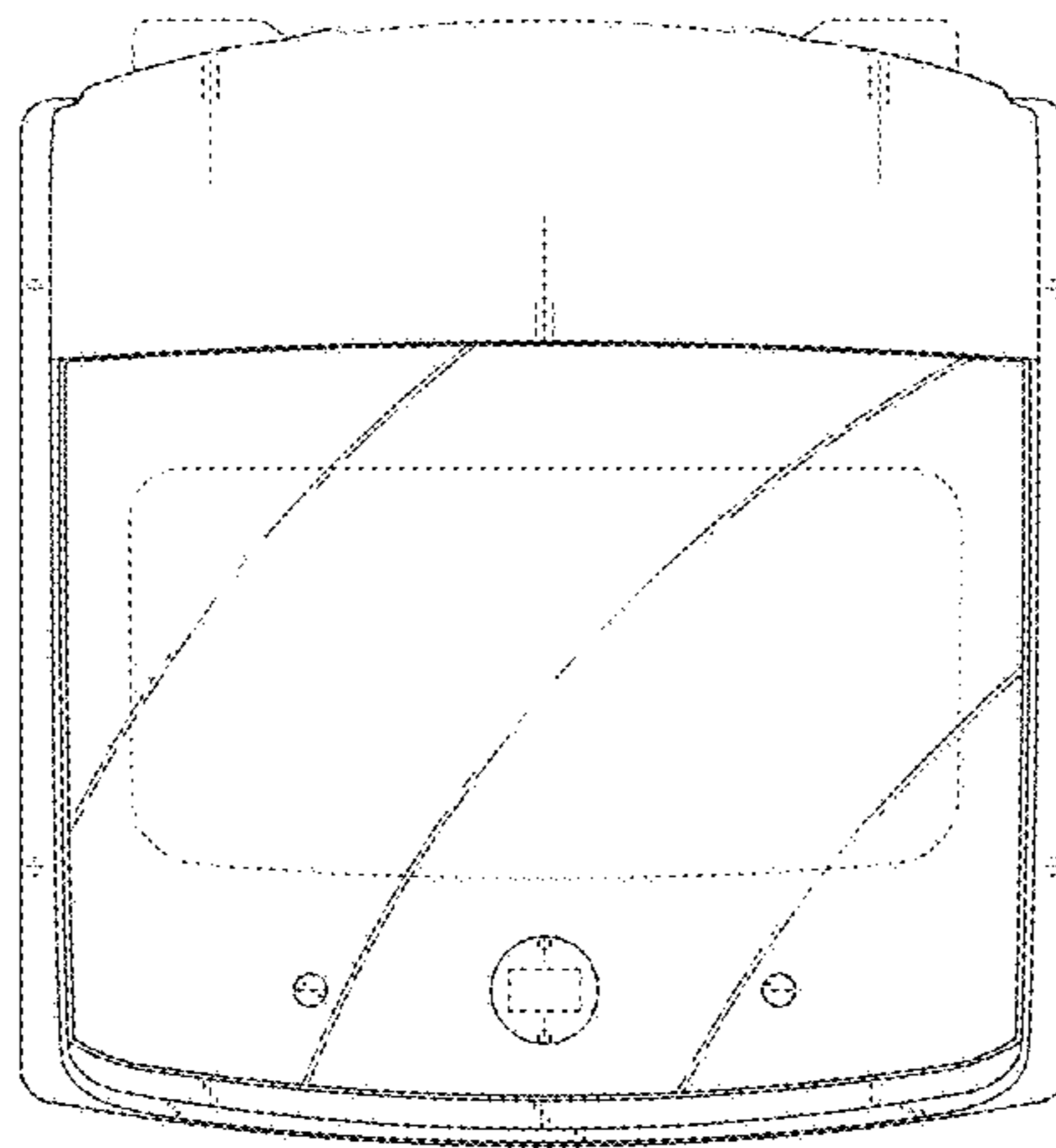
1.3



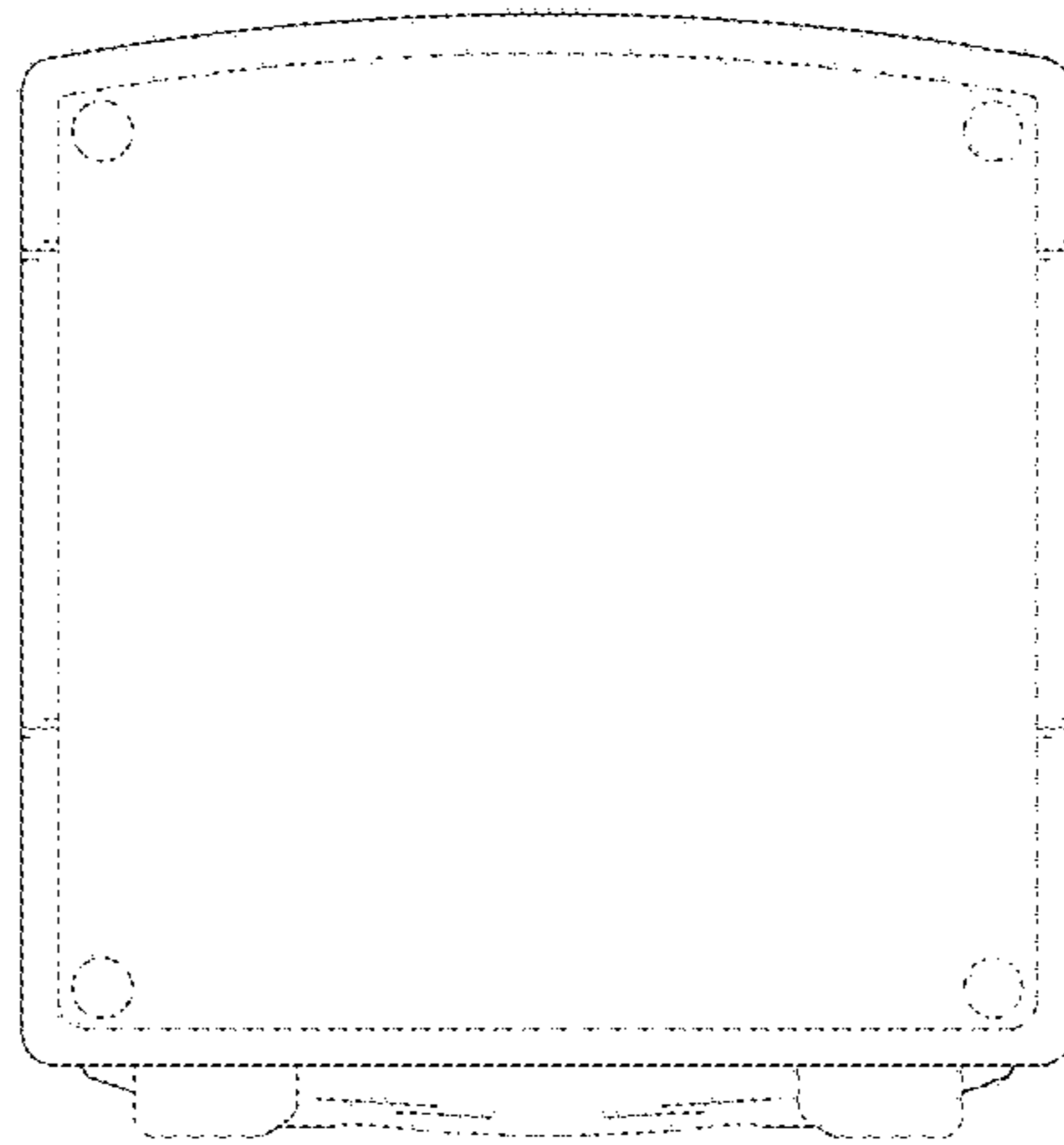
1.4



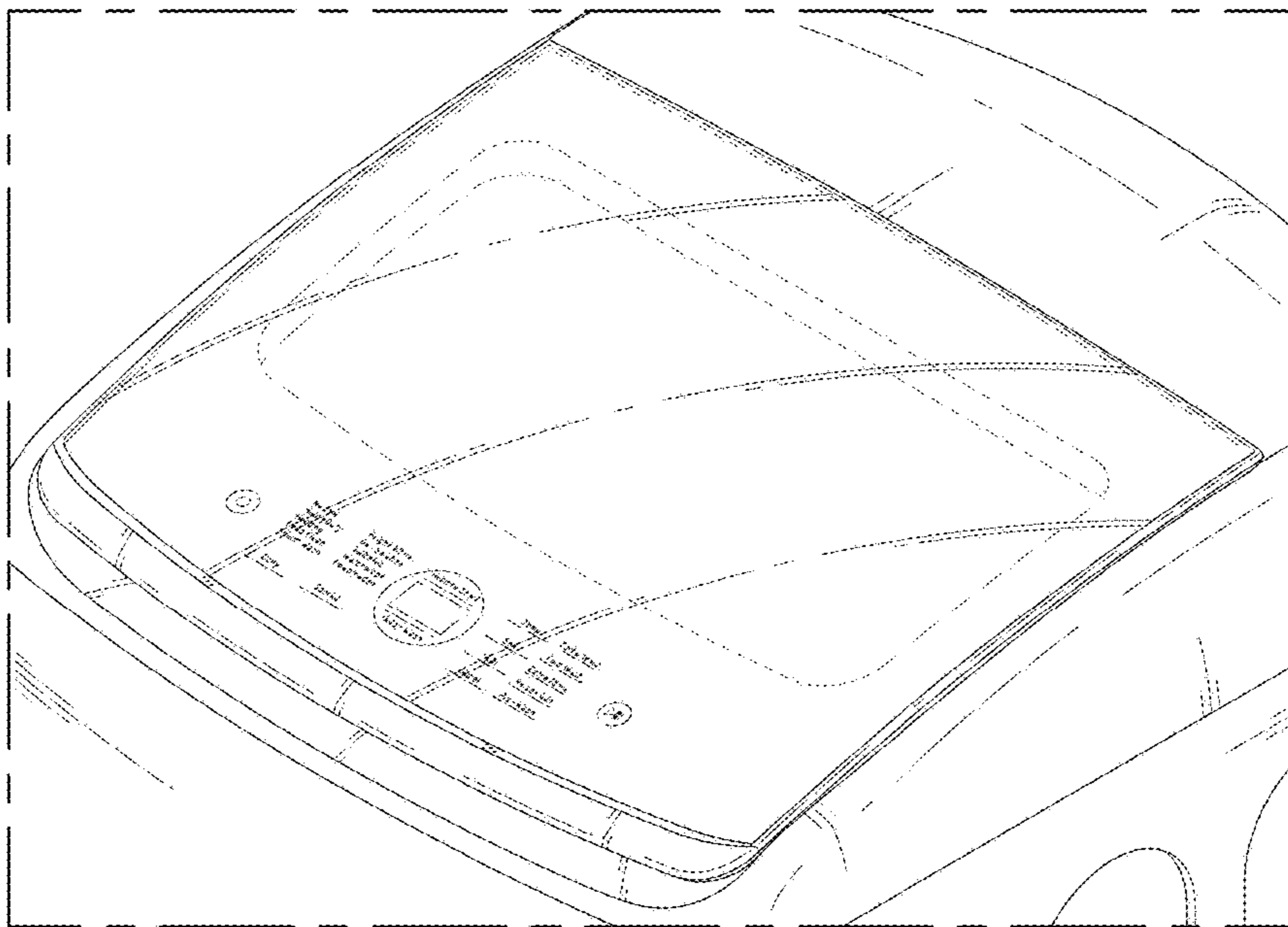
1.5



1.6



1.7



1.8

