



US00D855265S

(12) **United States Design Patent** (10) **Patent No.:** **US D855,265 S**  
**Chung et al.** (45) **Date of Patent:** **\*\* Jul. 30, 2019**

(54) **WASHING MACHINE**

(56) **References Cited**

(71) Applicant: **LG ELECTRONICS INC.**, Seoul (KR)

U.S. PATENT DOCUMENTS

(72) Inventors: **Wookjun Chung**, Seoul (KR); **Hoil Jeon**, Seoul (KR); **Yeji Um**, Seoul (KR); **Miju Kim**, Seoul (KR); **Jaemyung Lim**, Seoul (KR); **Kihyuk Kim**, Seoul (KR)

D760,967 S \* 7/2016 Joo ..... D32/6  
D761,504 S \* 7/2016 Lee ..... D32/6

(Continued)

*Primary Examiner* — Khawaja Anwar

(74) *Attorney, Agent, or Firm* — Birch, Stewart, Kolasch & Birch, LLP

(73) Assignee: **LG ELECTRONICS INC.**, Seoul (KR)

(57) **CLAIM**

The ornamental design for a washing machine, as shown and described.

(\*\*) Term: **15 Years**

**DESCRIPTION**

(21) Appl. No.: **35/504,263**

(22) Filed: **Jun. 30, 2017**

1. Washing machine

1.1 : Perspective

1.2 : Front

1.3 : Back

1.4 : Left

1.5 : Top

1.6 : Bottom

1.7 : Reference

1.8 : Reference

(80) **Hague Agreement Data**

Int. Filing Date: **Jun. 30, 2017**

Int. Reg. No.: **DM/098026**

Int. Reg. Date: **Jun. 30, 2017**

Int. Reg. Pub. Date: **Jan. 5, 2018**

The broken lines depict portions of the washing machine that form no part of the claimed design; the dash-dot broken lines define the boundary of the claimed design and form no part thereof; reproduction 1.1 is a front perspective view of the washing machine; reproduction 1.2 is a front view thereof; reproduction 1.3 is a rear view thereof; reproduction 1.4 is a left side view thereof where the right side view is a mirror image; reproduction 1.5 is a top plan view thereof; reproduction 1.6 is a bottom plan view thereof; reproduction 1.7 is reference enlarged view thereof showing the state of the control panel part when the display part is not operated; reproduction 1.8 is reference enlarged view thereof showing the state of the control panel part when the display part is operated; reproductions 1.7 and 1.8 form no part of the claimed design.

(30) **Foreign Application Priority Data**

Dec. 30, 2016 (KR) ..... 30-2016-0064641

(51) **LOC (11) Cl.** ..... **15-05**

(52) **U.S. Cl.**  
USPC ..... **D32/6**

(58) **Field of Classification Search**

USPC ..... D32/1, 5, 6, 8, 10, 25, 28, 29, 29.1

CPC ..... D06F 33/02; D06F 37/22; D06F 39/02;

D06F 2058/2864; D06F 2058/287; D06F

2204/086; D06F 35/006; D06F 37/265;

D06F 37/268; D06F 58/206; D06F 58/28;

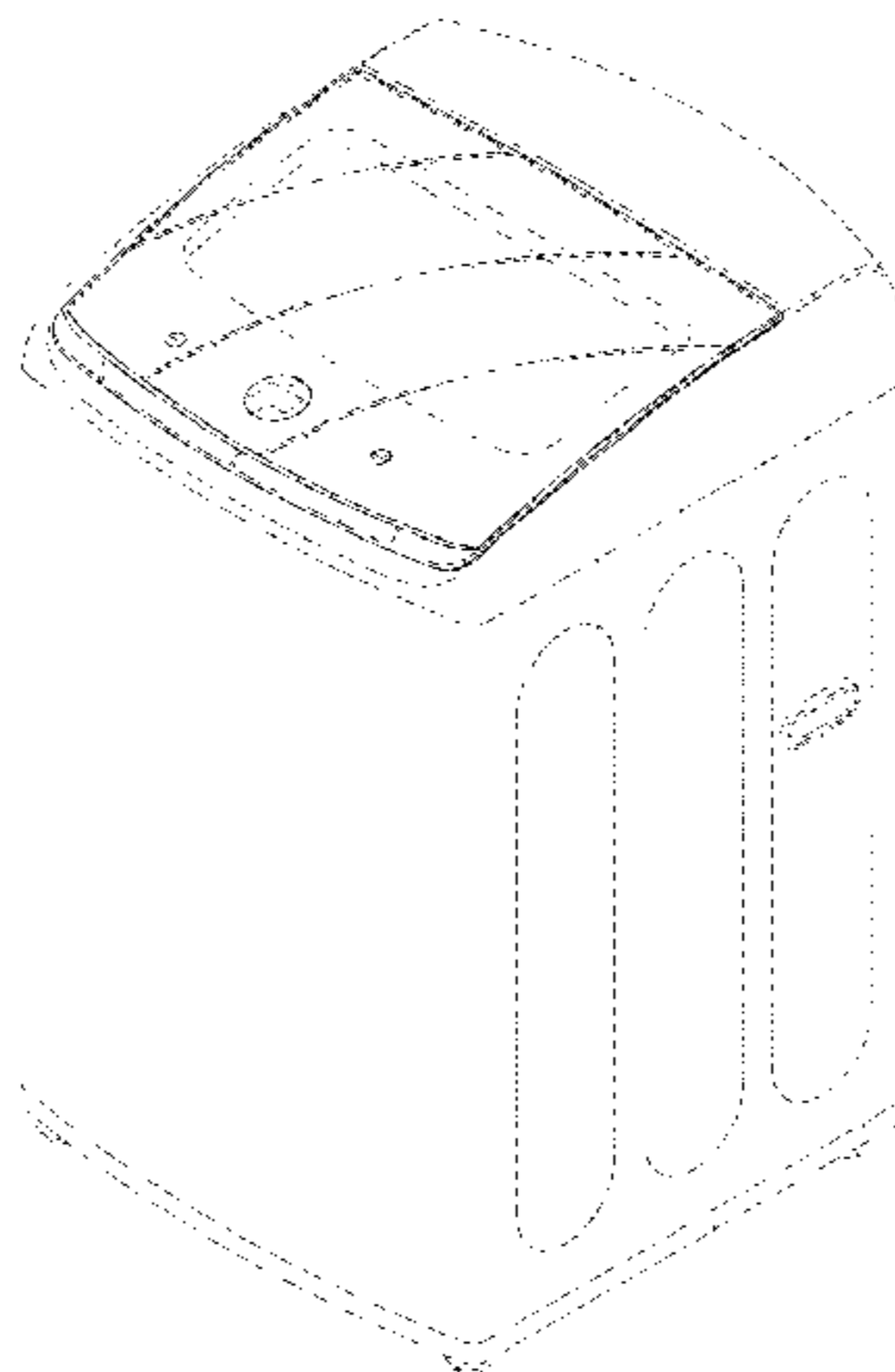
D06F 13/00; D06F 13/02; D06F 17/06;

D06F 17/10; D06F 2202/085; D06F

2202/10; D06F 2202/12; D06F 2204/04;

(Continued)

**1 Claim, 8 Drawing Sheets**



(58) **Field of Classification Search**

CPC ..... D06F 2204/065; D06F 2204/082; D06F  
2222/00; D06F 23/04; D06F 25/00; D06F  
29/005; D06F 37/02; D06F 37/04; D06F  
37/14; D06F 37/203; D06F 37/206; D06F  
37/225; D06F 37/24; D06F 37/267; D06F  
37/28; D06F 37/36; D06F 37/40; D06F  
39/005; D06F 39/006; D06F 39/007;  
D06F 39/024; D06F 39/12; D06F 39/14;  
D06F 58/20

See application file for complete search history.

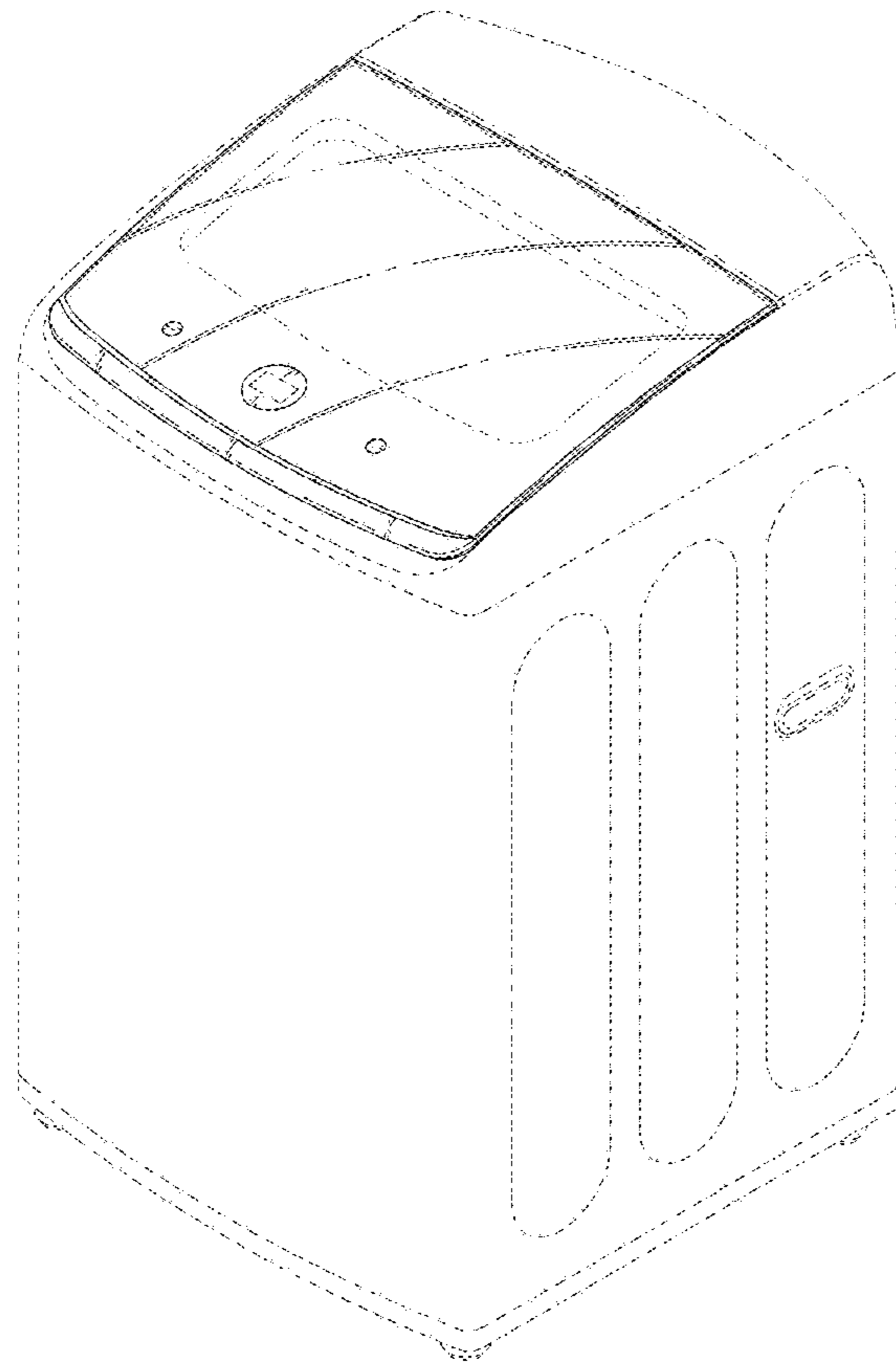
(56) **References Cited**

U.S. PATENT DOCUMENTS

|          |   |   |         |       |       |       |
|----------|---|---|---------|-------|-------|-------|
| D762,022 | S | * | 7/2016  | Lee   | ..... | D32/6 |
| D762,023 | S | * | 7/2016  | Lee   | ..... | D32/6 |
| D762,024 | S | * | 7/2016  | Lee   | ..... | D32/6 |
| D764,120 | S | * | 8/2016  | Choi  | ..... | D32/6 |
| D772,495 | S | * | 11/2016 | Son   | ..... | D32/6 |
| D775,438 | S | * | 12/2016 | Kang  | ..... | D32/6 |
| D776,373 | S | * | 1/2017  | Joo   | ..... | D32/6 |
| D783,213 | S | * | 4/2017  | Jeon  | ..... | D32/6 |
| D795,511 | S | * | 8/2017  | Jeon  | ..... | D32/6 |
| D797,387 | S | * | 9/2017  | Bixby | ..... | D32/6 |
| D809,221 | S | * | 1/2018  | Kim   | ..... | D32/6 |

\* cited by examiner

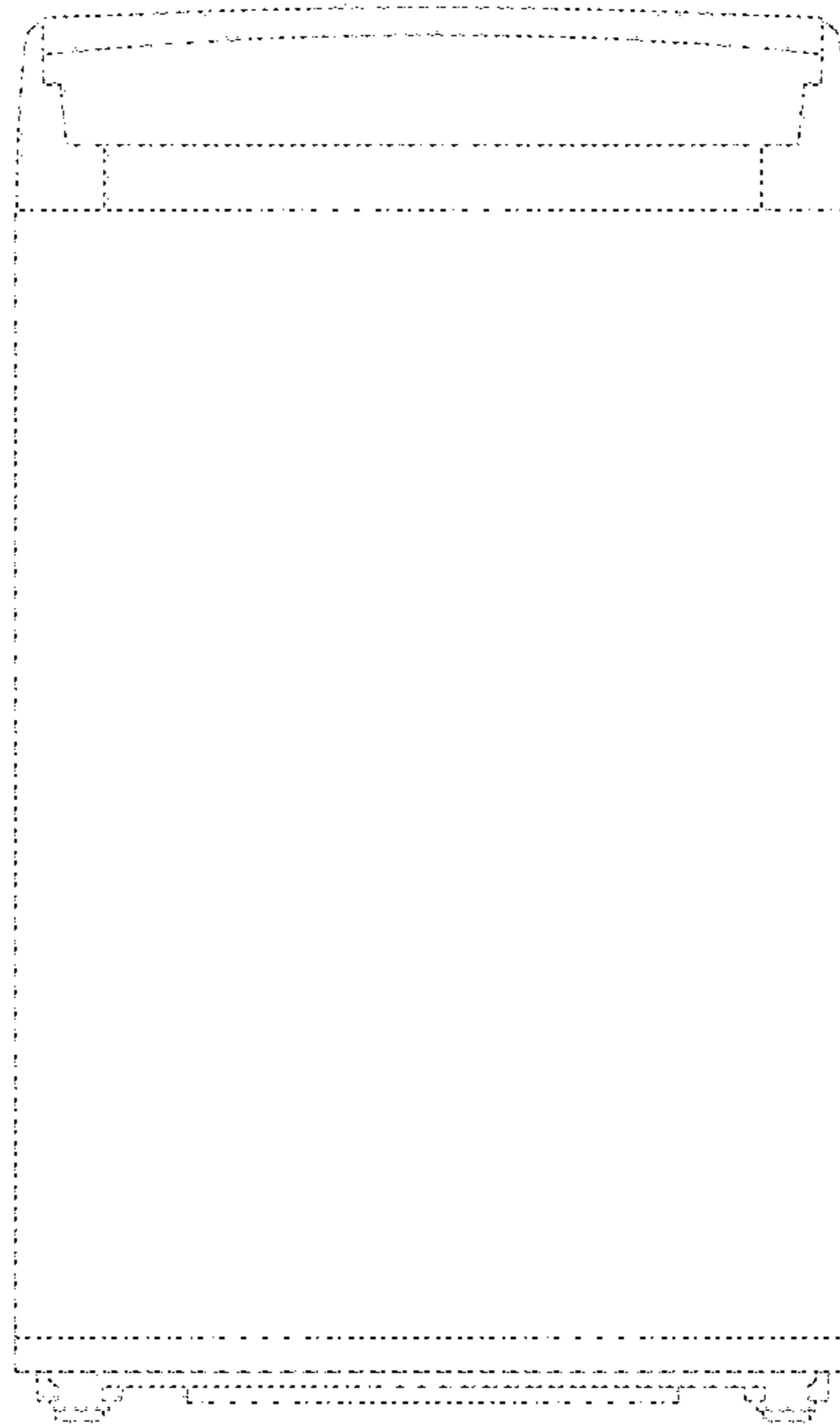
1.1



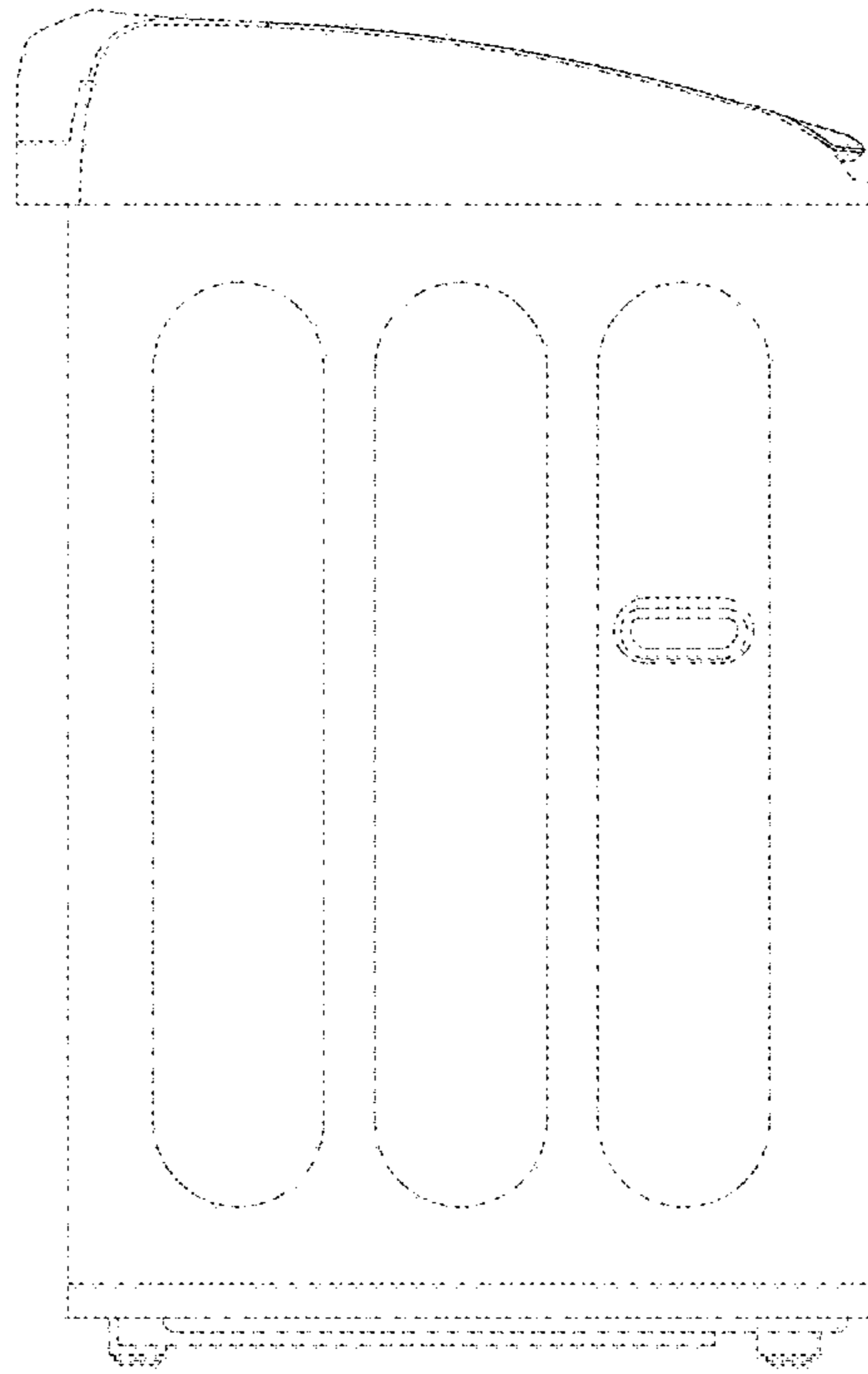
1.2



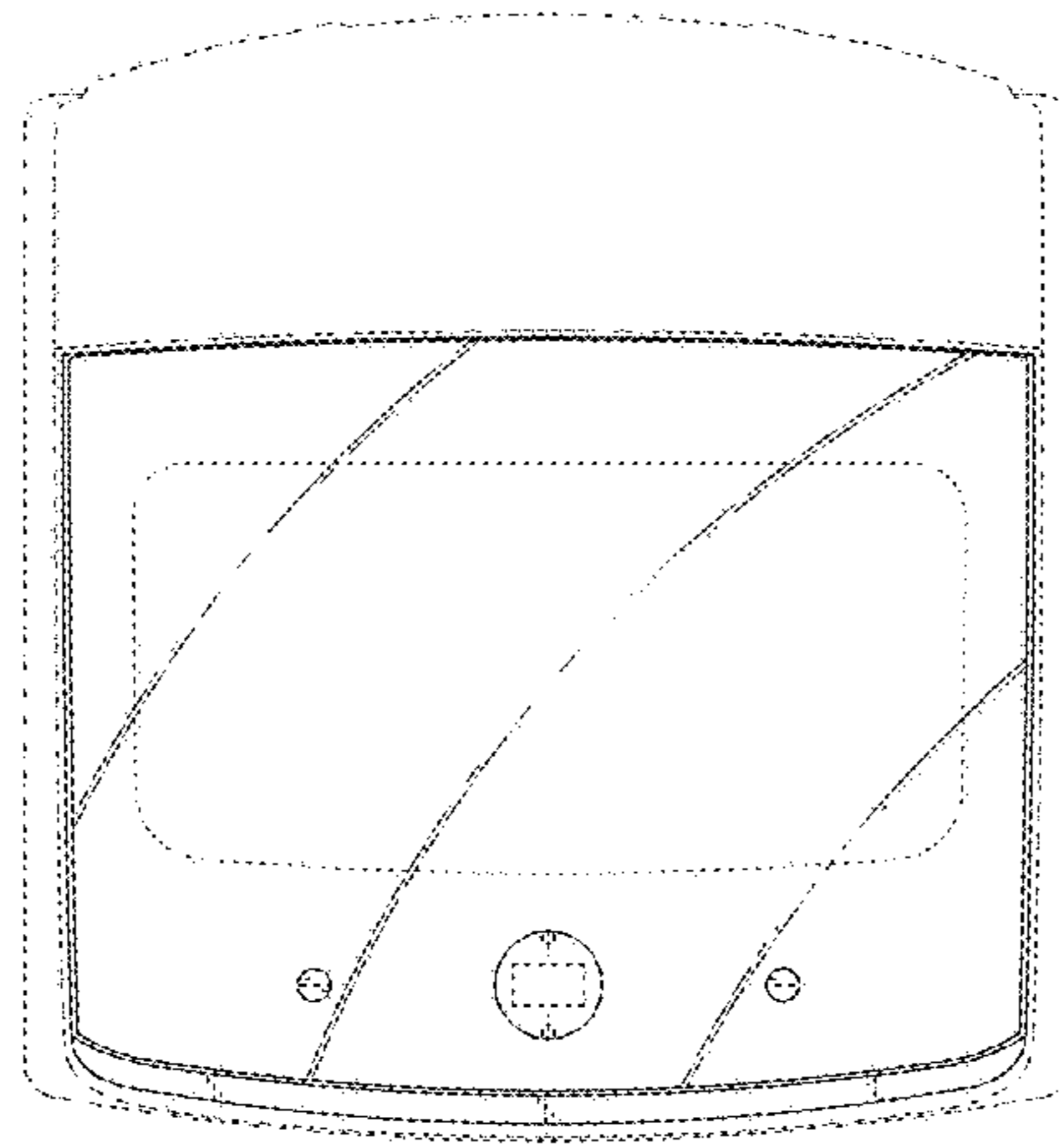
1.3



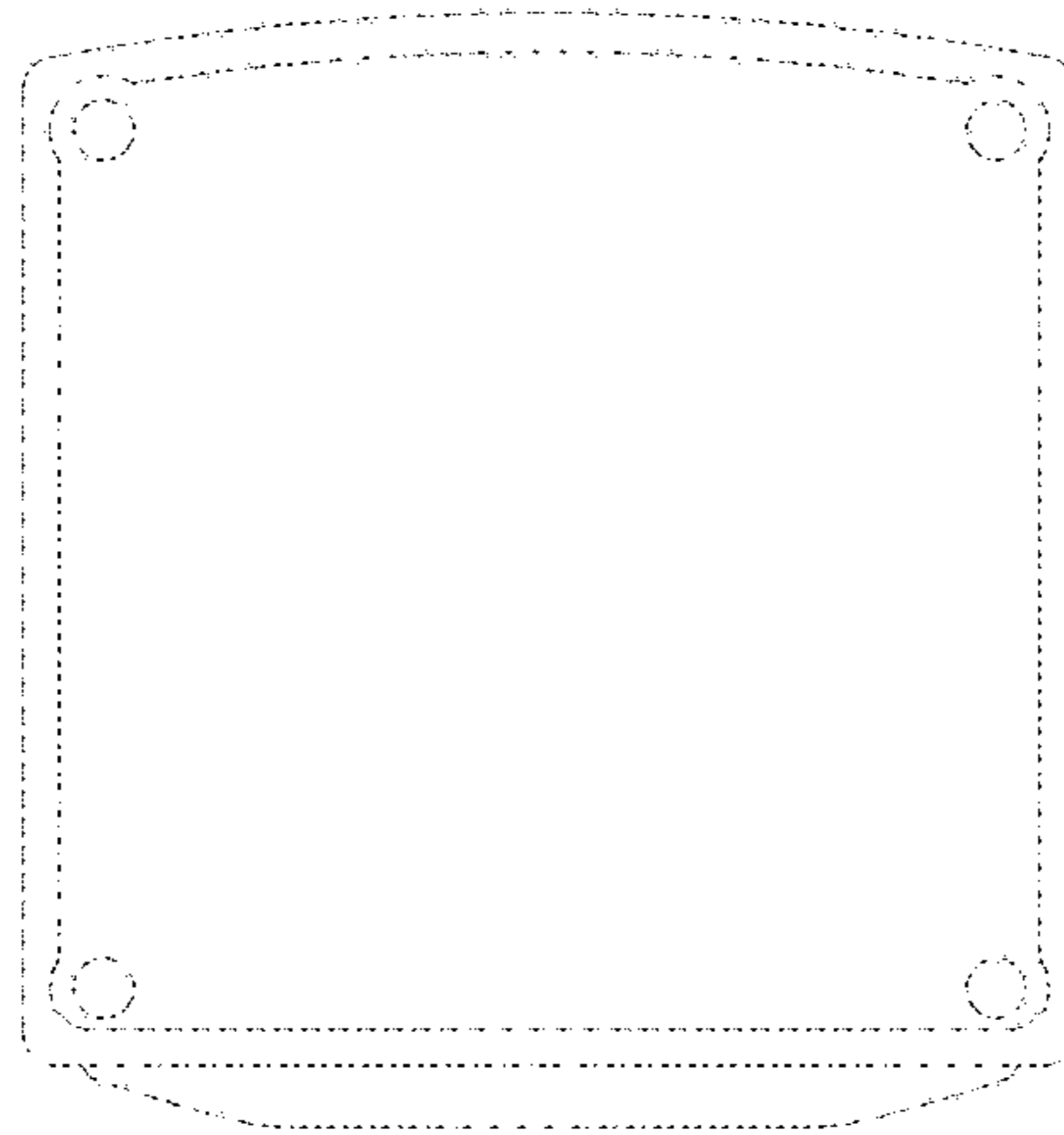
1.4



1.5

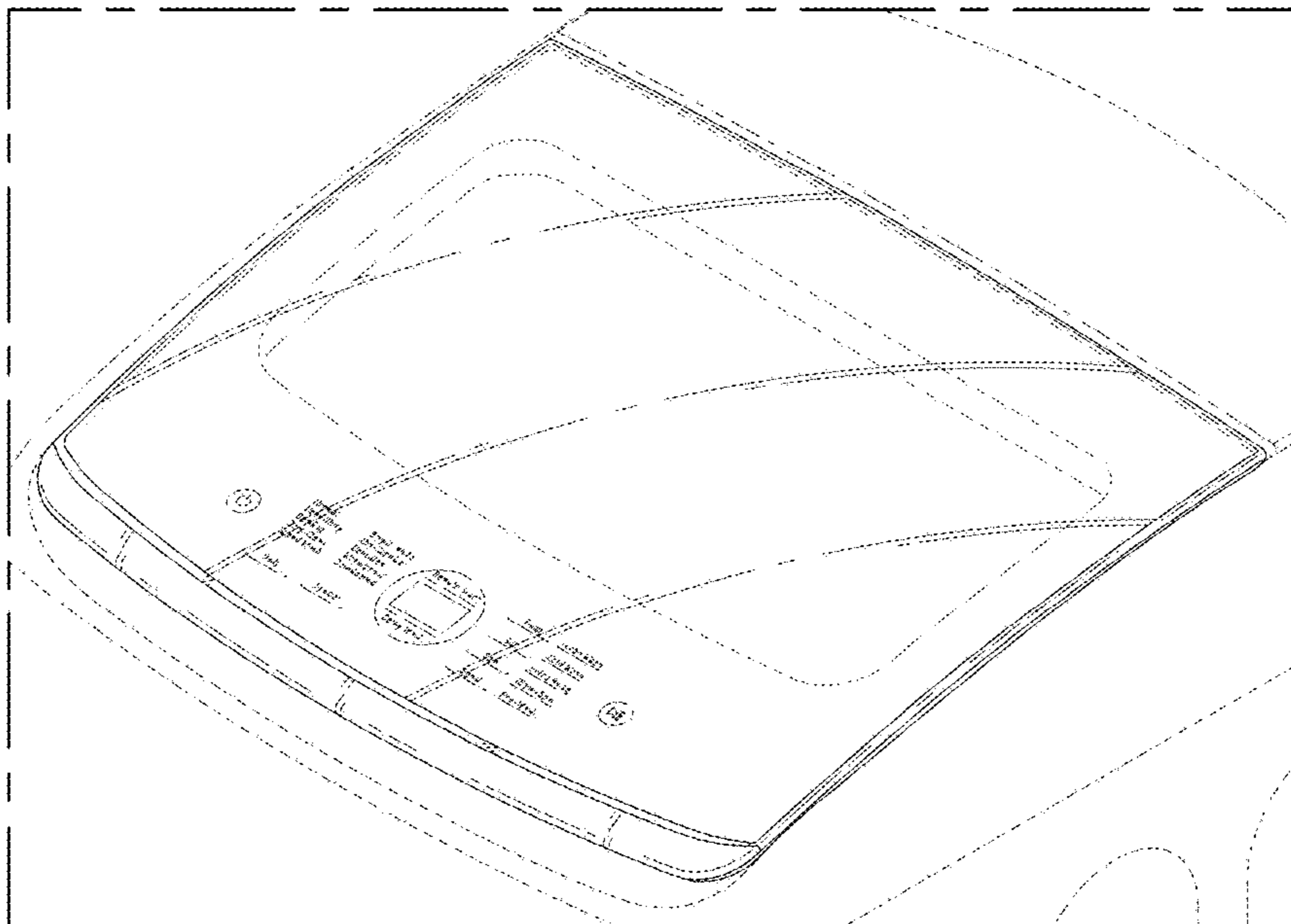


1.6





1.7



1.8

