



US00D855264S

(12) **United States Design Patent**
Myerson

(10) **Patent No.:** **US D855,264 S**
(45) **Date of Patent:** **** Jul. 30, 2019**

(54) **SCOOP HOLDER**

- (71) Applicant: **Maurice Myerson**, Atlanta, GA (US)
- (72) Inventor: **Maurice Myerson**, Atlanta, GA (US)
- (**) Term: **15 Years**
- (21) Appl. No.: **29/592,158**
- (22) Filed: **Jan. 27, 2017**
- (51) **LOC (11) Cl.** **30-99**
- (52) **U.S. Cl.**
USPC **D30/199**; D6/513
- (58) **Field of Classification Search**
USPC D30/162, 161, 199; 119/165, 867, 161,
119/166, 174; D8/13, 10; D9/424, 425,
D9/432, 430; 294/1.3-1.5, 19.1, 49, 50,
294/50.5, 55, 179, 176, 180, 3, 7, 99.2,
294/177, 59, 57; 209/418, 419;
15/257.1, 257.2, 1.7; 210/464, 465, 470,
210/472; D7/637, 692; D21/532;
D32/74, 54, 55, 53; D6/513, 512, 514,
D6/553, 683, 525, 540, 567, 572, 570;
D34/1; D3/313, 310, 307, 201, 304, 315,
D3/901; D25/68; D11/146, 156;
D12/416; D27/103, 104; 211/13.1, 85.1,
211/82.12, 70.6, 86.01, 87.01, 119.009,
211/126.1; 206/361, 349, 77.1, 5, 207,
206/363, 812; 220/735, 736, 751, 752,
220/697, 23.89; 248/224.51, 224.61,
248/225.11, 309.1, 220.21, 221.11,
248/222.51, 314, 110
CPC A01K 1/0114; A01K 1/01; A01K 1/011;
A01K 1/0128; A01K 1/0132; E01H 1/12;
E01H 1/1206; E01H 2001/122; E01H
2001/1226; E01H 2001/1233; E01H
2001/1246; E01H 2001/126; E01H
2001/1266; E01H 2001/1273; E01H
2001/128; B07B 1/00; B07B 1/005; B07B
1/02; E04H 4/1609; F24B 15/08; B44D
3/123; B44D 3/125

See application file for complete search history.

(56) **References Cited**

U.S. PATENT DOCUMENTS

- 413,526 A * 10/1889 Light A47L 13/58
15/264
- 986,265 A * 3/1911 Boss B65D 21/0233
206/506
- 1,496,346 A * 6/1924 Lindmark B44D 3/123
15/168
- 1,888,127 A * 11/1932 Hearne A47G 29/06
16/267
- 1,938,376 A * 12/1933 Dietrichs B44D 3/125
206/361
- D256,730 S * 9/1980 Hester D25/68
- 4,524,938 A * 6/1985 Strahs A46B 17/04
248/110
- D300,970 S * 5/1989 Walker D32/53

(Continued)

Primary Examiner — Susan Moon Lee

(74) *Attorney, Agent, or Firm* — Walter A. Rodgers

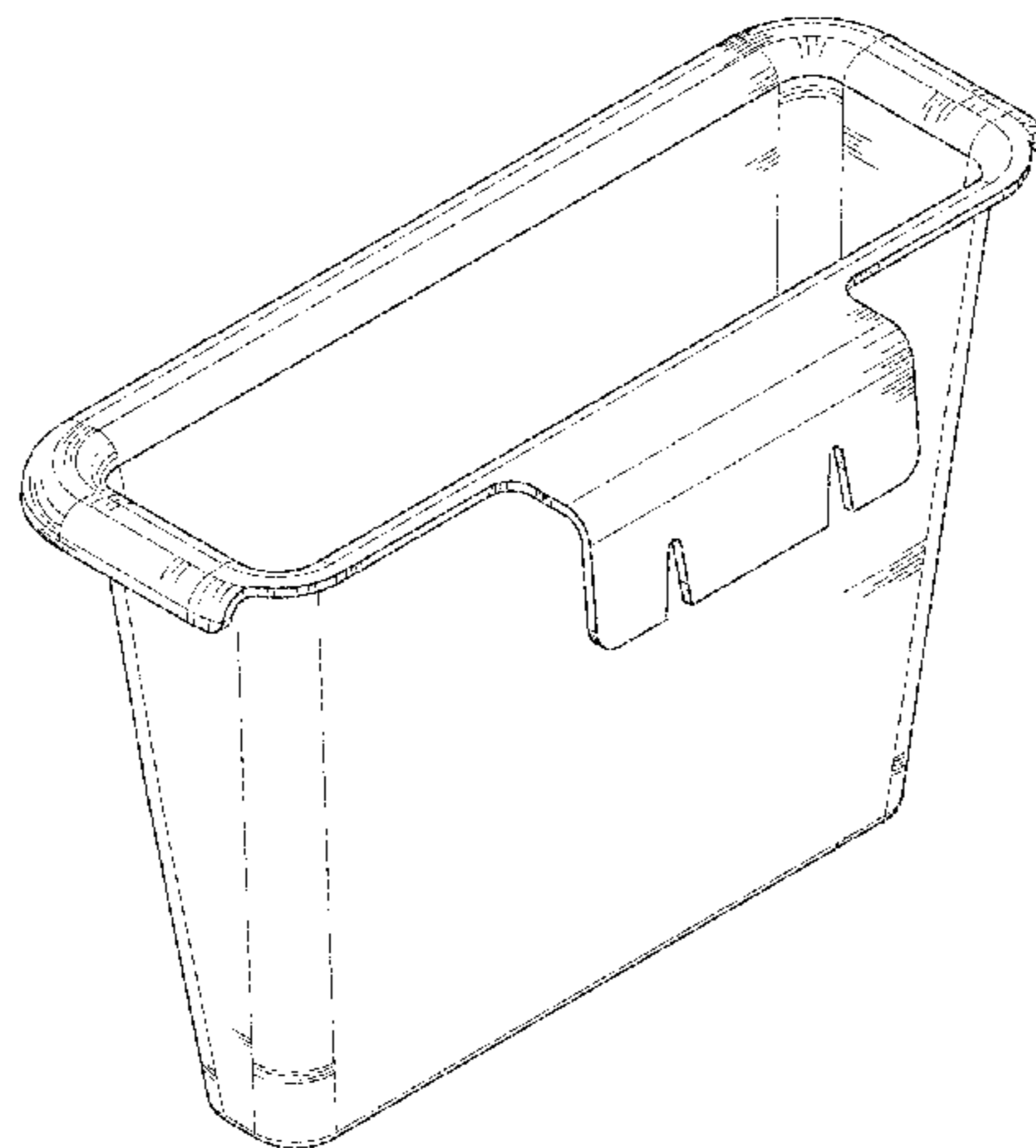
(57) **CLAIM**

The ornamental design for a scoop holder, as shown and described.

DESCRIPTION

FIG. 1 is a perspective view of a scoop holder showing my new design;
 FIG. 2 is a top plan view thereof;
 FIG. 3 is a bottom plan view thereof;
 FIG. 4 is a rear elevational view thereof;
 FIG. 5 is a left-side elevational view thereof;
 FIG. 6 is a right-side elevational view thereof;
 FIG. 7 is a front elevational view thereof; and,
 FIG. 8 is perspective view of the scoop holder according to a second embodiment, the only difference being the configuration of the clip, it being understood that all other portions are the same as those of the first embodiment.

1 Claim, 5 Drawing Sheets



(56)

References Cited

U.S. PATENT DOCUMENTS

4,854,470 A * 8/1989 Ireland B44D 3/123
220/697
5,035,389 A * 7/1991 Wang A47G 29/08
248/224.51
5,072,868 A * 12/1991 Dickie B44D 3/123
220/736
5,108,000 A * 4/1992 Stoll B65F 1/00
206/806
D327,148 S * 6/1992 Alessi D32/54
5,181,285 A * 1/1993 Kolada A47J 43/24
4/657
5,226,388 A * 7/1993 McDaniel A01K 1/0114
119/166
D341,686 S * 11/1993 Panovic D32/54
5,297,695 A * 3/1994 Provence B44D 3/123
220/23.83
D346,054 S * 4/1994 Spangler D32/54
D358,914 S * 5/1995 Masse D32/54
D363,576 S * 10/1995 Brightbill D11/156
5,590,804 A * 1/1997 Crum A47J 47/20
220/23.86
5,775,258 A * 7/1998 Larsen A01K 1/0114
119/161
D405,574 S * 2/1999 Riky D32/54
D419,737 S * 1/2000 Searcy D32/54
6,237,802 B1 * 5/2001 Douglas B44D 3/123
220/736
D458,723 S * 6/2002 Malvasio D32/53.1
6,412,601 B1 * 7/2002 Schmidt E06C 7/14
182/120
6,446,829 B1 * 9/2002 Malvasio B44D 3/123
220/697
D470,267 S * 2/2003 Groendyke D27/104
6,824,114 B1 * 11/2004 VanSkiver A01K 1/0114
248/220.21
D500,703 S * 1/2005 Giampavolo D11/146

D501,886 S * 2/2005 Chen D19/77
D586,969 S * 2/2009 Graham D32/53
D626,710 S * 11/2010 Boulos D32/25
D633,297 S * 3/2011 Searcy D3/310
D633,717 S * 3/2011 Searcy D3/310
D637,397 S * 5/2011 Searcy D3/304
D639,092 S * 6/2011 Lundy D6/513
D653,601 S * 2/2012 Stroud D12/416
D667,633 S * 9/2012 Searcy D3/313
D688,044 S * 8/2013 Brunner D3/304
D691,390 S * 10/2013 Cunningham D6/556
D691,426 S * 10/2013 Brown D7/667
D694,905 S * 12/2013 Brown D24/224
D701,664 S * 3/2014 Tollasepp D32/55
D704,949 S * 5/2014 Rodriguez D6/513
D710,701 S * 8/2014 Lai D24/123
8,801,926 B2 * 8/2014 Housley A47J 43/24
210/232
D722,835 S * 2/2015 Dupont D7/637
D727,107 S * 4/2015 Parodi, Jr. D7/396.2
9,119,490 B1 * 9/2015 Parodi, Jr. A47G 19/2205
9,414,717 B2 * 8/2016 Tollasepp A47J 47/20
D772,513 S * 11/2016 Mitford D32/54
2005/0000971 A1 * 1/2005 Koumarios B44D 3/123
220/736
2007/0075203 A1 * 4/2007 Conlin A01K 1/0114
248/309.1
2007/0102436 A1 * 5/2007 Peccon B44D 3/123
220/736
2012/0273509 A1 * 11/2012 Yao B65D 81/3876
220/737
2014/0076756 A1 * 3/2014 Sweetman A01K 1/011
206/349
2014/0144797 A1 * 5/2014 Lareau B44D 3/123
206/361
2014/0152163 A1 * 6/2014 Sweetman A01K 1/0107
312/330.1
2014/0346102 A1 * 11/2014 Housley A47J 43/24
210/232

* cited by examiner

Fig 1

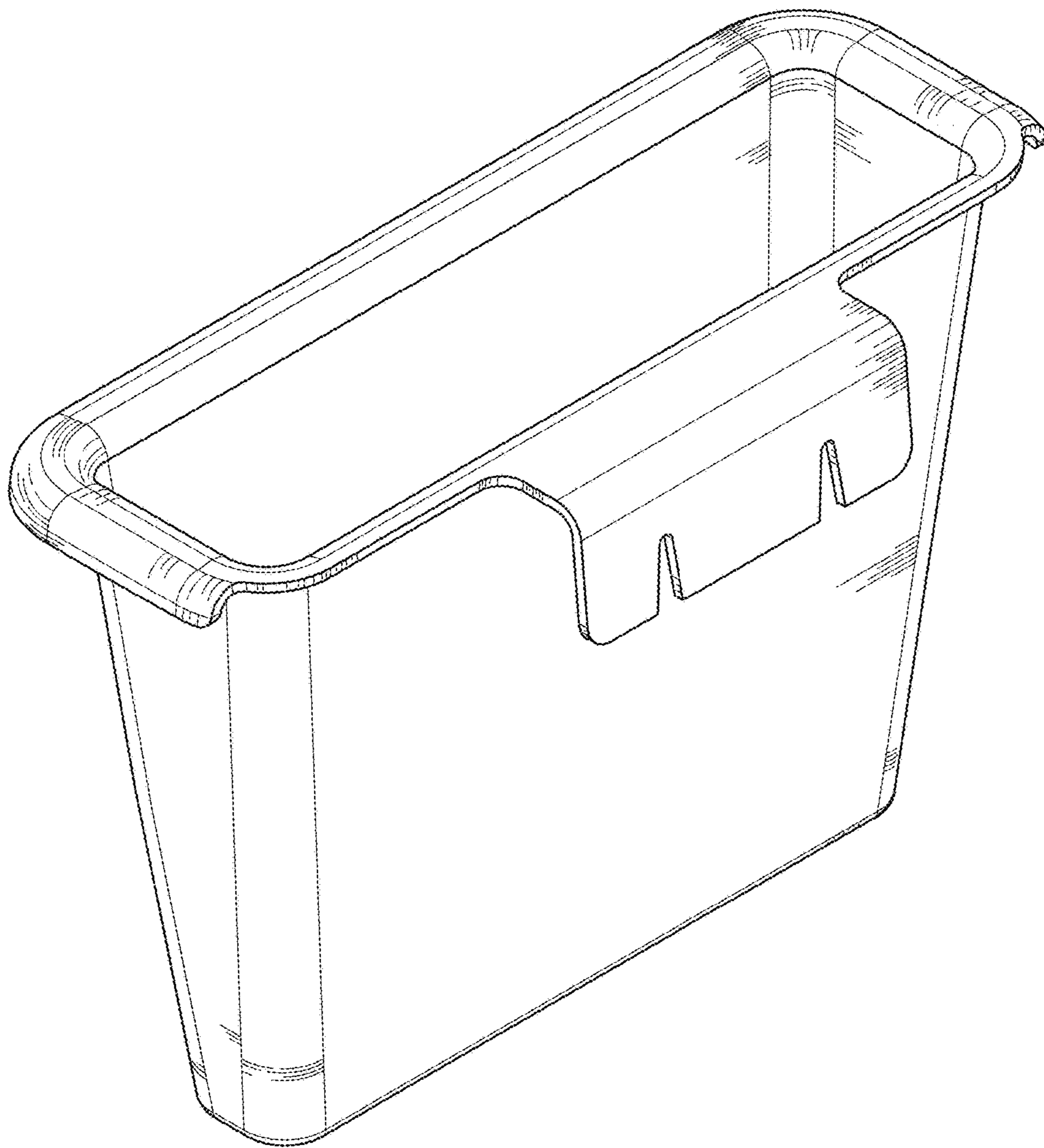


Fig 2

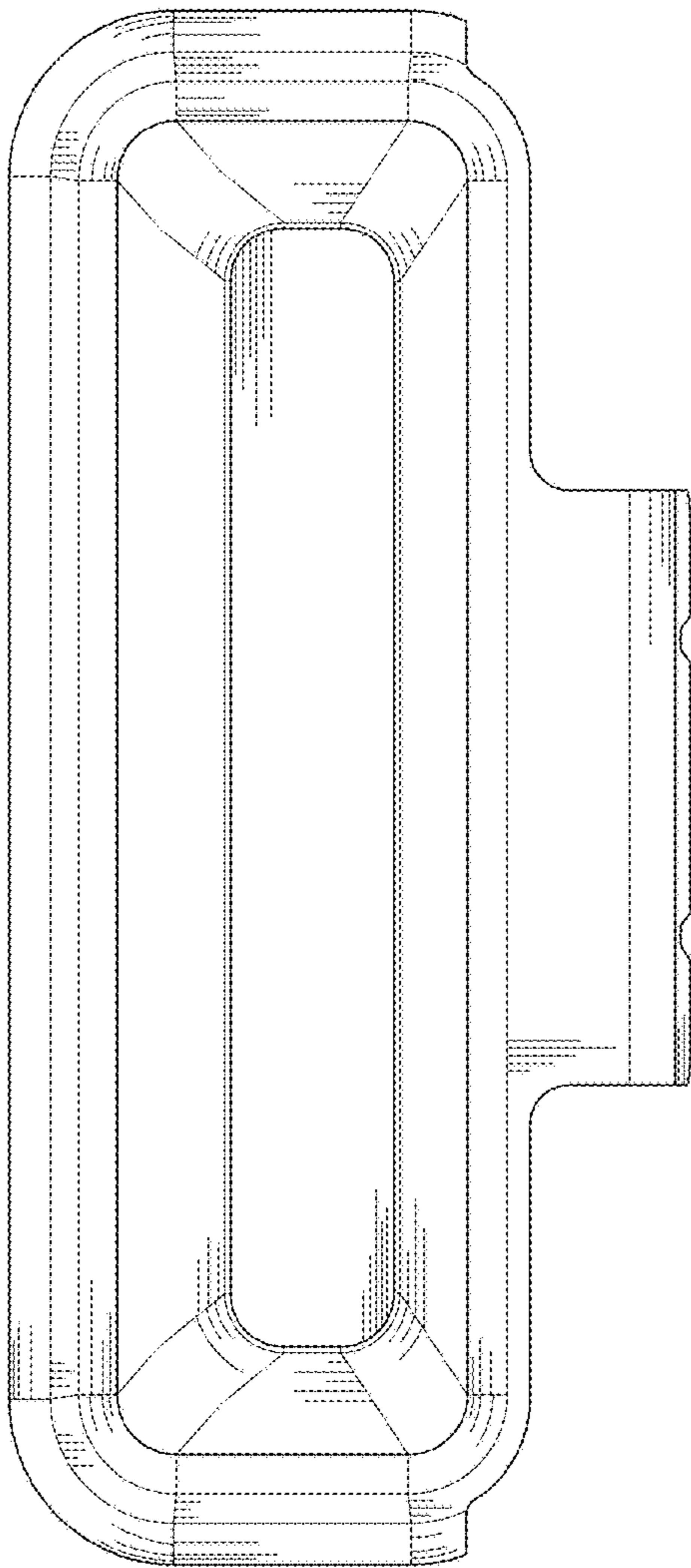
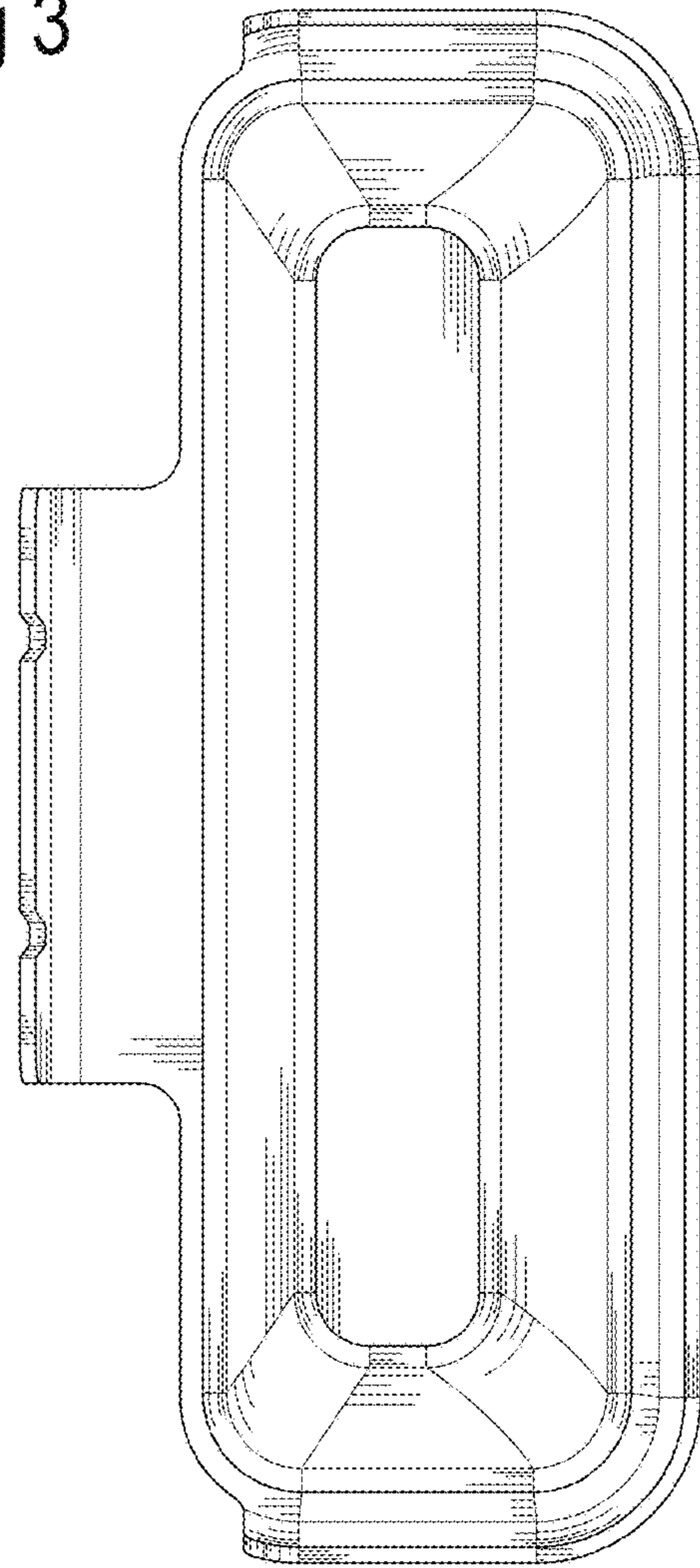


Fig 3



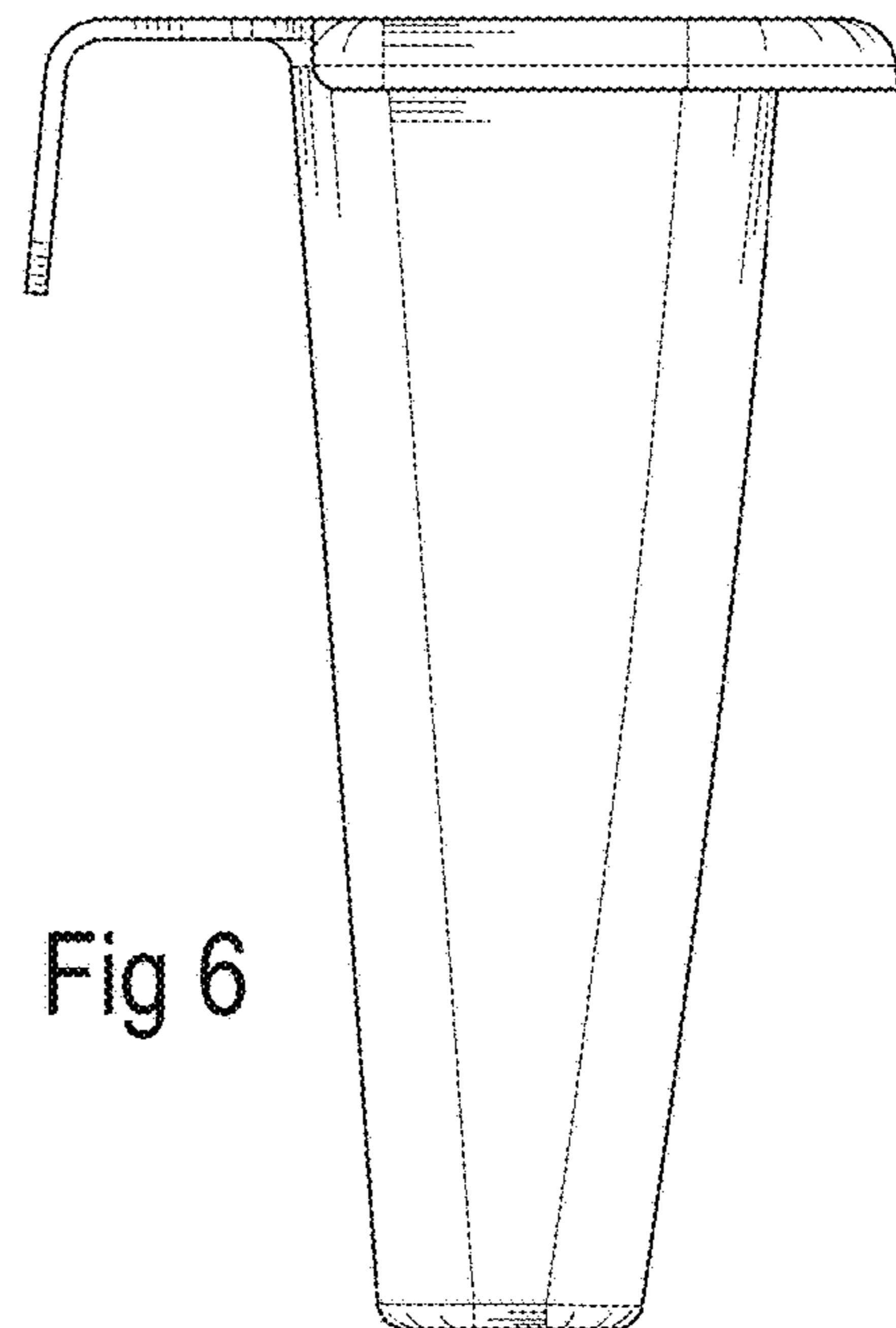
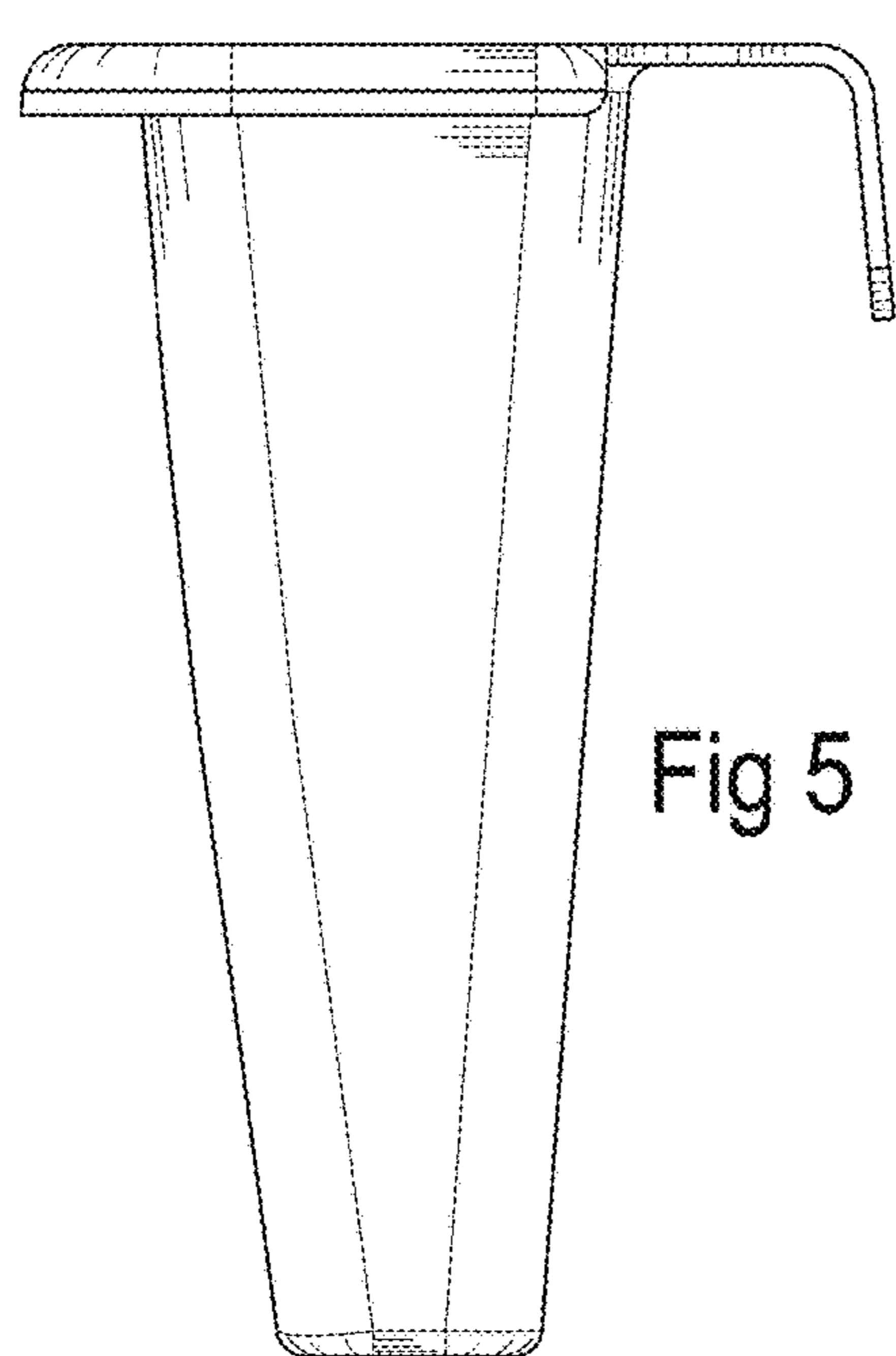
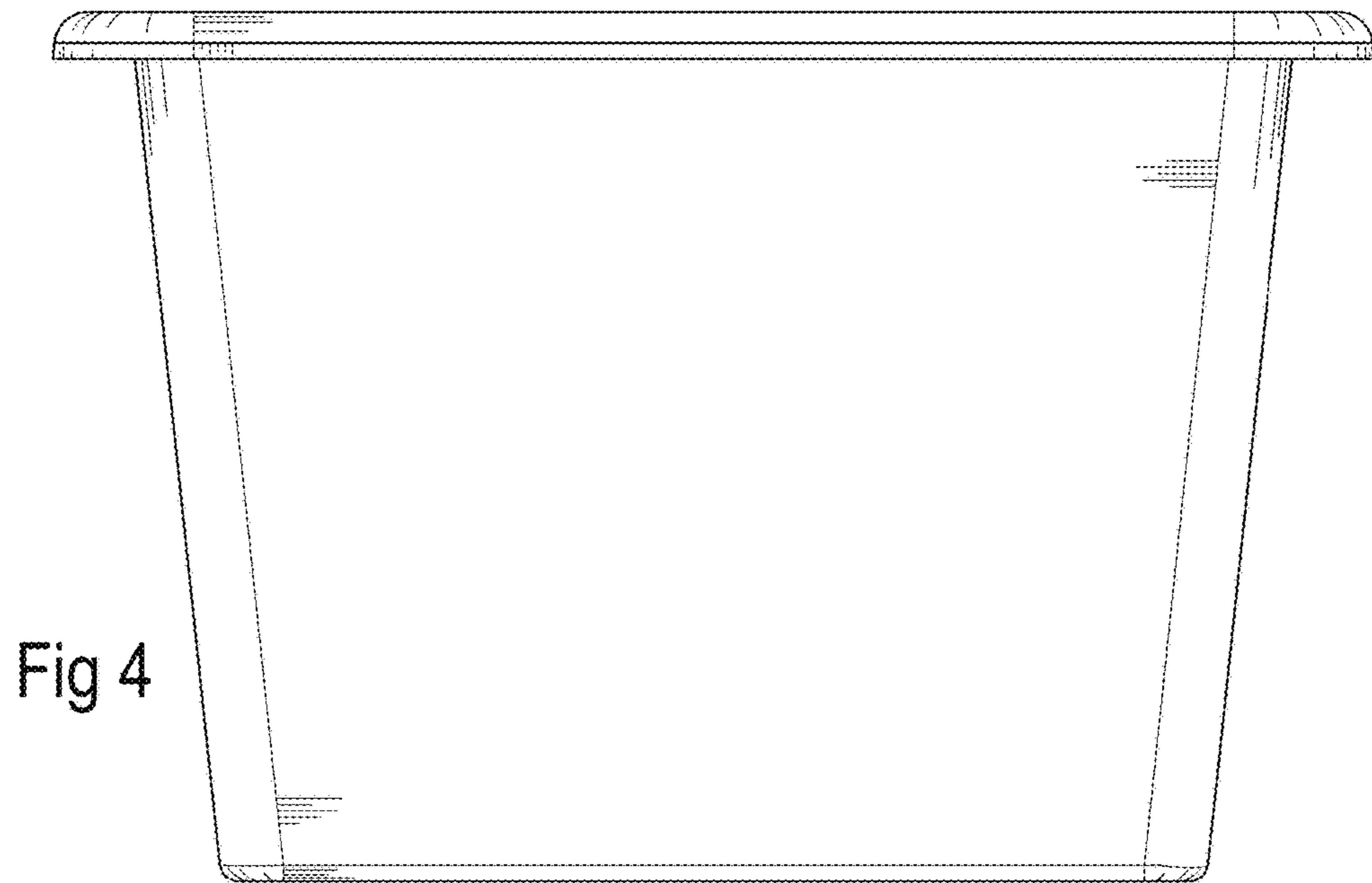


Fig 7

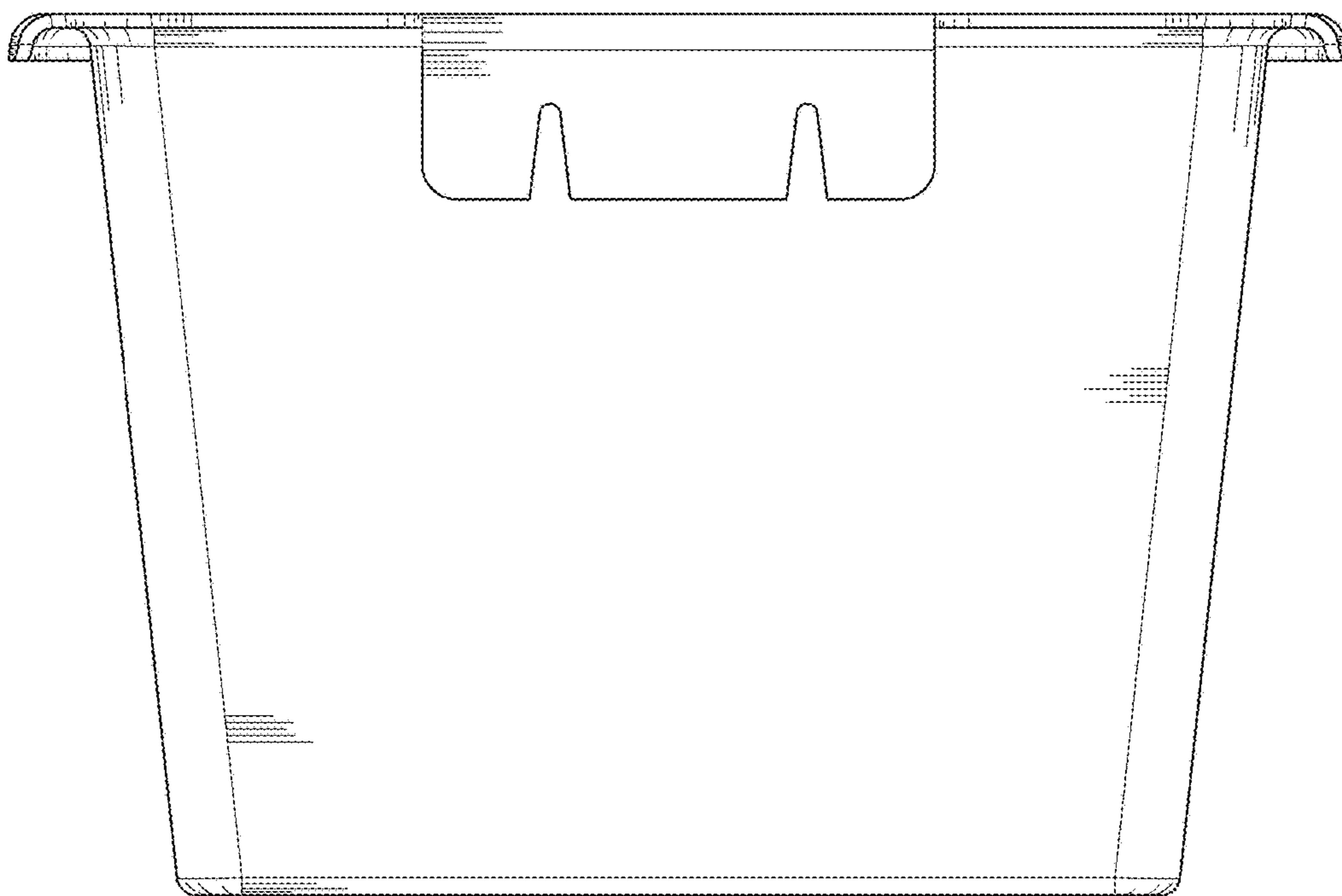


Fig 8

