



US00D855263S

(12) **United States Design Patent** (10) **Patent No.:** **US D855,263 S**
Raku (45) **Date of Patent:** **** Jul. 30, 2019**

(54) **PET TOOTHBRUSH**
(71) Applicant: **Showai Raku**, New York, NY (US)
(72) Inventor: **Showai Raku**, New York, NY (US)
(**) Term: **15 Years**
(21) Appl. No.: **29/614,910**
(22) Filed: **Aug. 24, 2017**
(51) **LOC (11) Cl.** **30-99**
(52) **U.S. Cl.**
USPC **D30/158**; D4/101; D30/199
(58) **Field of Classification Search**
USPC D4/101, 104-112, 114, 138; 15/110,
15/167.1, 167.2, 176.1, 176.6, 188, 22.1,
15/145, 143.1, 22.2, 28, 29, 22.4;
132/308-311; 601/139, 141, 142;
D8/61; 81/57.11-57.14, 57.31, 57.42;
D30/158, 199
CPC A46B 5/0095; A46B 7/04; A46B 7/042;
A46B 7/044; A46B 9/04; A46B
2200/1066; A46B 15/001; A46B 15/004;
A46B 15/0044; A46B 15/0038; A46B
15/0004; A46B 15/0008; A46B 15/0002;
A61C 17/16; A61C 17/22; A61C 17/222;
A61C 17/32; A61C 17/34; A61C
17/3409; A61C 17/3445; A61C 17/3454;
A61C 17/3463; A61C 17/3481; A61C
17/20; A61C 17/221; A61C 17/225; A61C
17/24; A61C 17/26; A61C 17/3418; A61C
17/3427; A61C 17/3436; A61C 17/3453;
A61C 17/3472; A61C 17/40; A61C
17/224; A61C 17/349; A61D 5/00; A61D
99/00; A01K 13/00; A01K 13/001; A01K
29/00
See application file for complete search history.

4,583,563 A 4/1986 Turner
5,407,287 A 4/1995 Braun et al.
D394,751 S * 6/1998 Eguchi D4/101
5,908,257 A 6/1999 Martin
5,944,516 A 8/1999 Deshaies
6,386,783 B1 5/2002 Spoelman
D478,423 S * 8/2003 Mulder D4/101
6,957,925 B1 10/2005 Jacobs et al.
D536,876 S * 2/2007 Chan D4/101
D580,173 S * 11/2008 Beedham D4/101
D599,555 S * 9/2009 Oliphant D4/101
7,845,041 B2 12/2010 Gatzemeyer et al.
D649,787 S * 12/2011 Ivarsson D4/101
8,387,628 B2 3/2013 Bowie
8,522,384 B2 * 9/2013 Leung A61C 17/36
15/29
8,540,448 B2 9/2013 Greene et al.
D696,517 S * 12/2013 Gebski D4/101
D718,057 S * 11/2014 Massee D4/101
D719,737 S * 12/2014 Adriaenssen D4/101
D824,677 S * 8/2018 Tseng D4/101

* cited by examiner

Primary Examiner — Susan Moon Lee
(74) *Attorney, Agent, or Firm* — Myron Greenspan;
Lackenbach Siegel LLP

(57) **CLAIM**

I claim the ornamental design for a pet toothbrush, as shown and described.

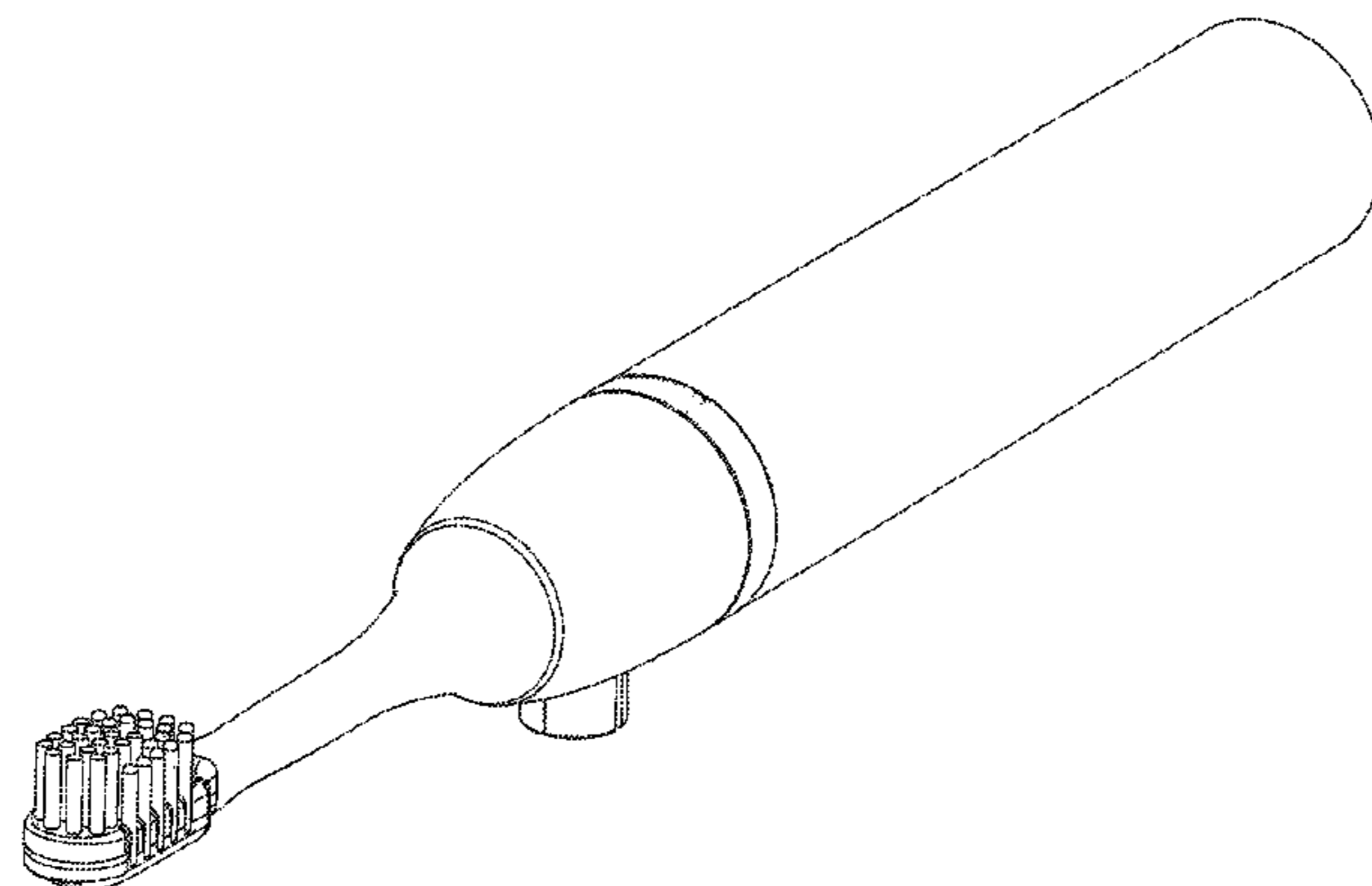
DESCRIPTION

FIG. 1 is a perspective view of a pet toothbrush in accordance with my design;
FIG. 2 is a top plan view thereof;
FIG. 3 is a bottom plan view thereof;
FIG. 4 is a left side elevational view thereof;
FIG. 5 is a right side elevational view thereof;
FIG. 6 is an end view thereof; and,
FIG. 7 is an opposite end view thereof.

1 Claim, 7 Drawing Sheets

(56) **References Cited**
U.S. PATENT DOCUMENTS

D220,239 S * 3/1971 Konigstein et al. D4/101
4,269,207 A 5/1981 Konrad et al.



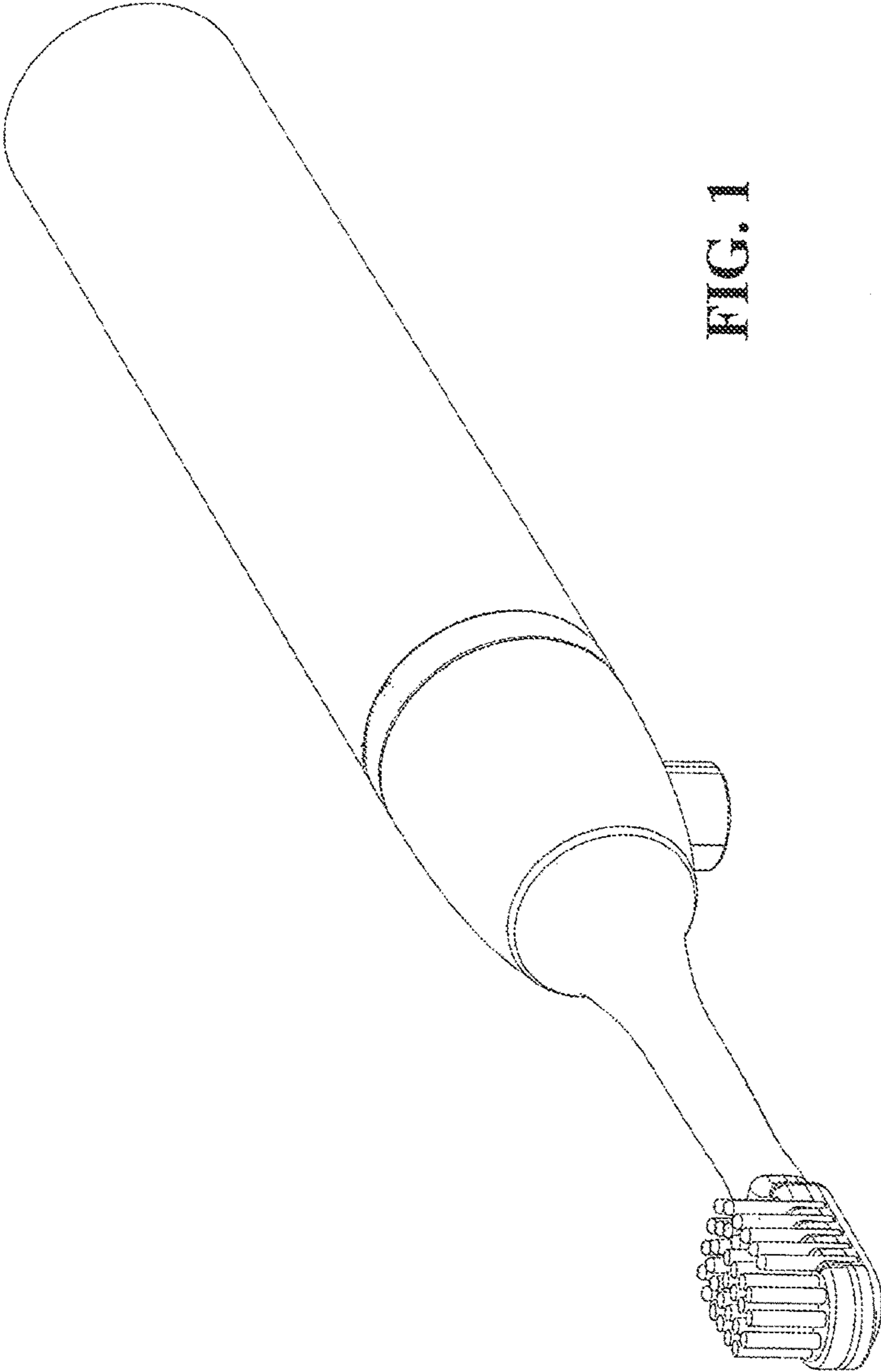


FIG. 1

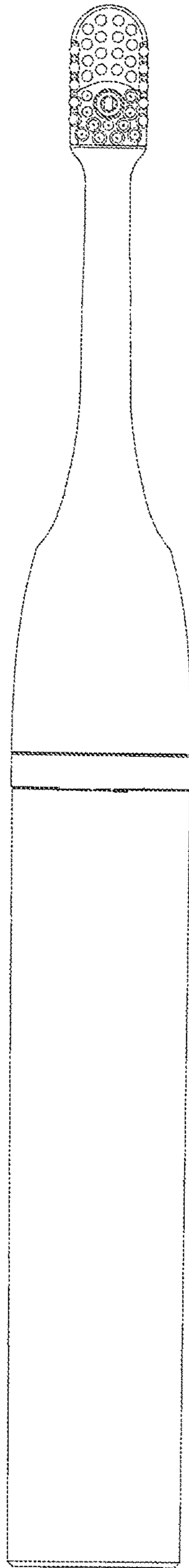


FIG. 2

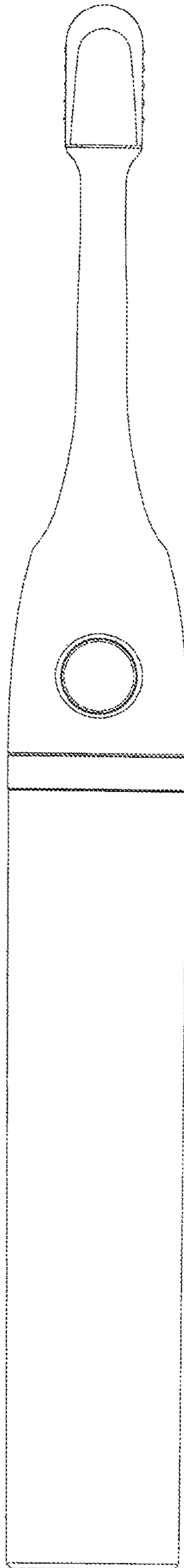


FIG. 3

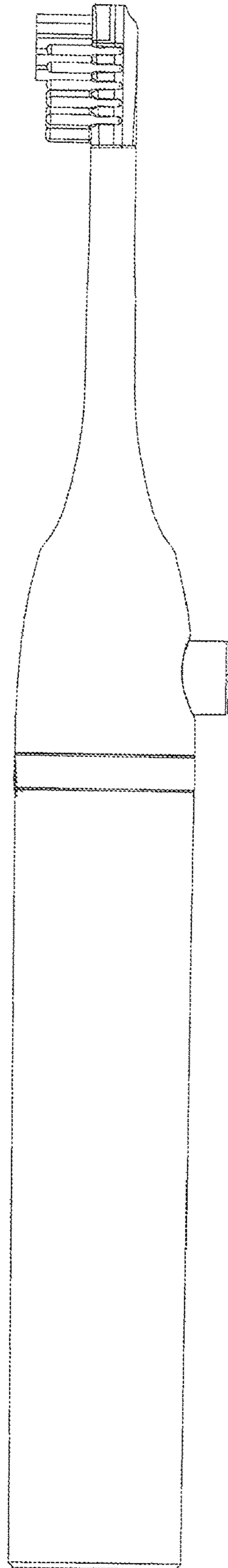


FIG. 4

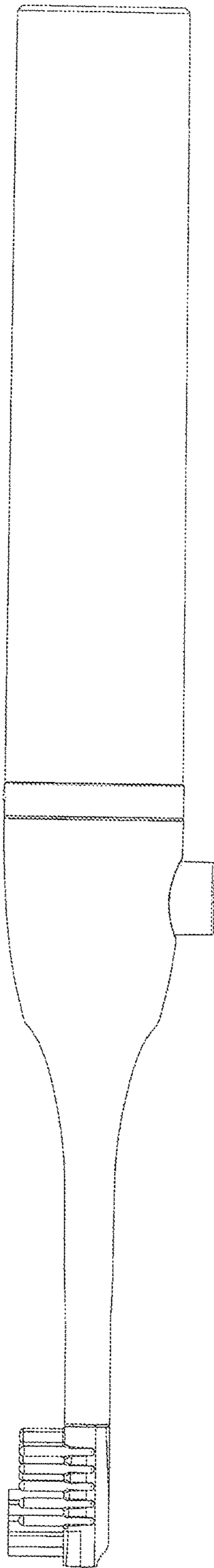


FIG. 5

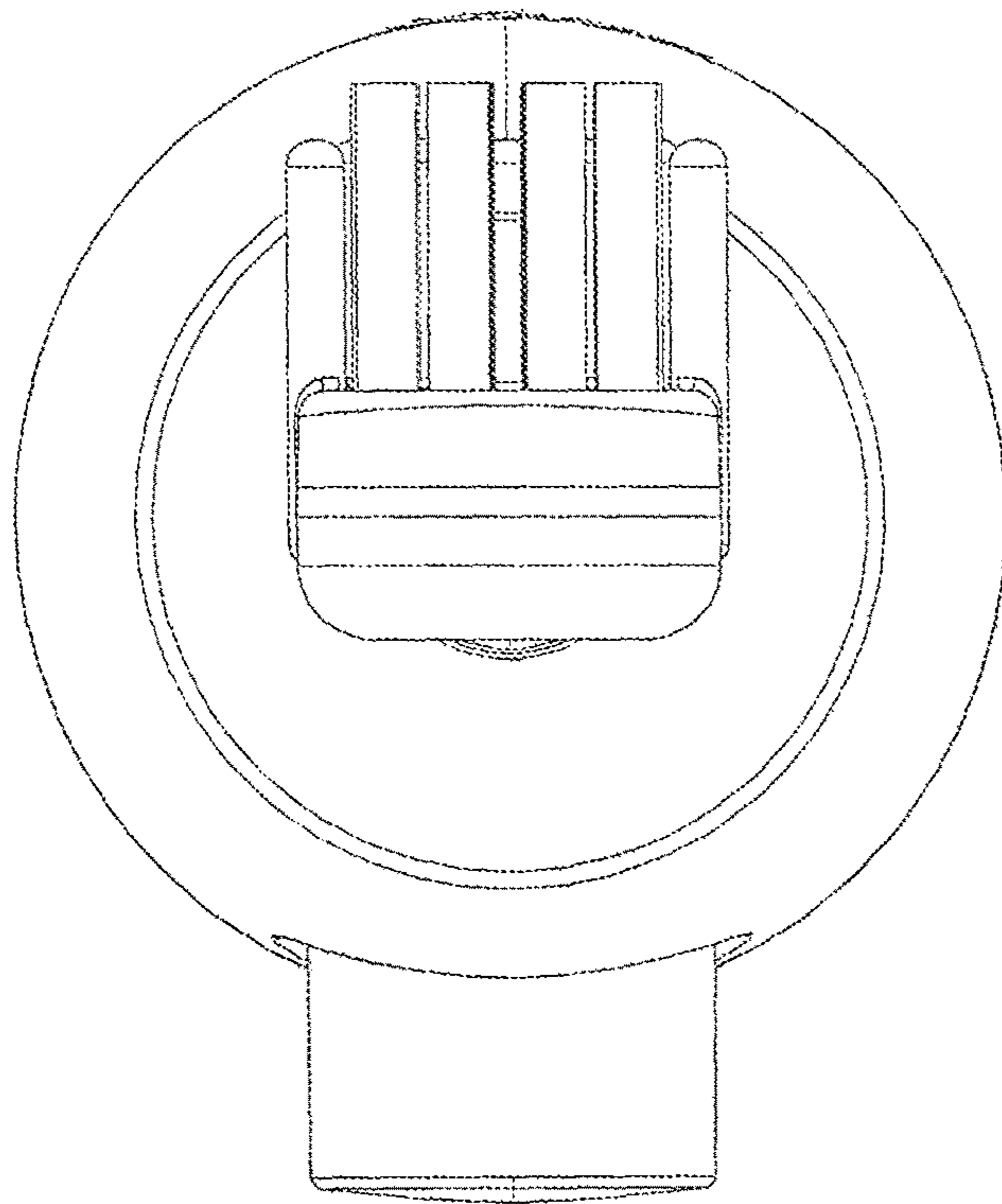


FIG. 6

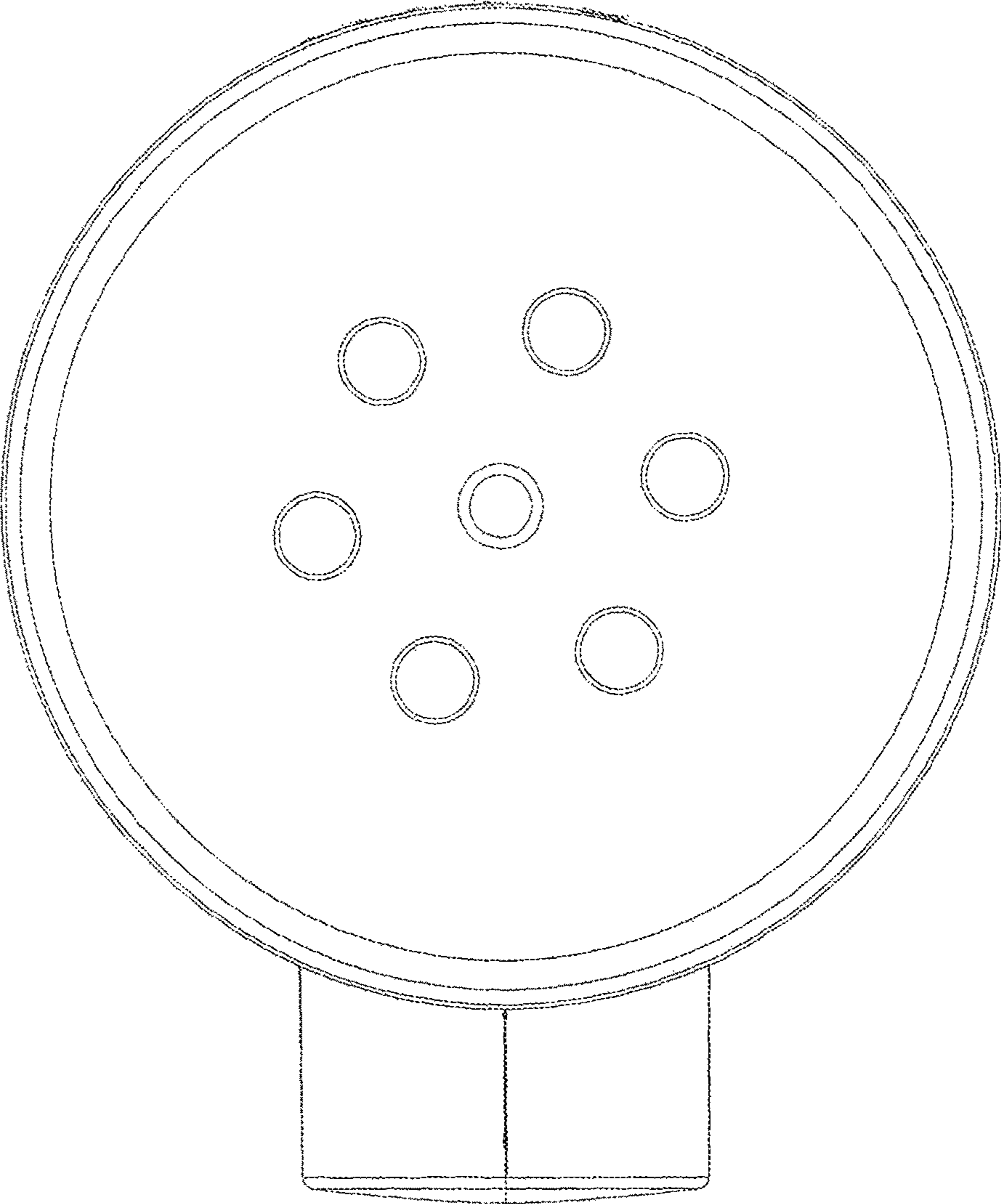


FIG. 7