



US00D855262S

(12) **United States Design Patent**  
**Lown**

(10) **Patent No.:** **US D855,262 S**

(45) **Date of Patent:** **\*\* Jul. 30, 2019**

- (54) **COLLAR ANCHOR**
- (71) Applicant: **VUFF LLC**, Newburgh, NY (US)
- (72) Inventor: **Aaron Lown**, Newburgh, NY (US)
- (73) Assignee: **VUFF LLC**, Newburgh, NY (US)
- (\*\*) Term: **15 Years**
- (21) Appl. No.: **29/619,592**
- (22) Filed: **Sep. 29, 2017**
- (51) **LOC (11) Cl.** ..... **30-01**
- (52) **U.S. Cl.**  
USPC ..... **D30/152; D30/153**
- (58) **Field of Classification Search**  
USPC ..... D30/119, 136, 137, 138, 139, 144, 145,  
D30/146, 151, 152, 153, 154, 158, 160,  
D30/199, 161, 108, 117; D2/627, 719,  
D2/860, 864, 909; D3/215, 217, 231,  
D3/327, 11, 17, 201, 203.1, 207;  
D29/101.1, 101.3, 101.4, 101.5;  
D24/190, 192; D8/349, 354; 119/627,  
119/654, 712, 769, 770, 792, 793, 795,  
119/802, 822, 828, 831, 821, 850, 856,  
119/858, 863, 865, 868, 907, 747, 772,  
119/776, 780, 786, 787, 788, 797, 791;  
135/118; 49/169  
CPC .. A01K 13/007; A01K 13/006; A01K 13/008;  
A01K 27/00; A01K 27/002; A01K  
27/004; A01K 27/005; A01K 27/006;  
A01K 27/008; A01K 25/00; A01K 15/04;  
A41B 13/06; A61F 11/12; A61D 9/00;  
A61D 1/04; B68B 1/02; E06B 7/32  
See application file for complete search history.

- 704,730 A \* 7/1902 Zierleyn ..... A01K 1/04  
114/294
- 753,835 A \* 3/1904 Albee ..... A01K 1/04  
119/769
- D45,447 S \* 3/1914 Bruns ..... D9/781  
(Continued)

**OTHER PUBLICATIONS**

Vuff Vimeo 59, published Dec. 2017 [online], [retrieved May 9, 2018], Available from Internet, URL: <<https://vimeo.com/241239308>> at approximately 0:59.\*

*Primary Examiner* — Barbara Fox  
*Assistant Examiner* — Mary C Ramirez  
(74) *Attorney, Agent, or Firm* — Andrew F. Young, Esq.;  
Lackebach Siegel, LLP

(57) **CLAIM**

The ornamental design for a collar anchor, as shown and described.

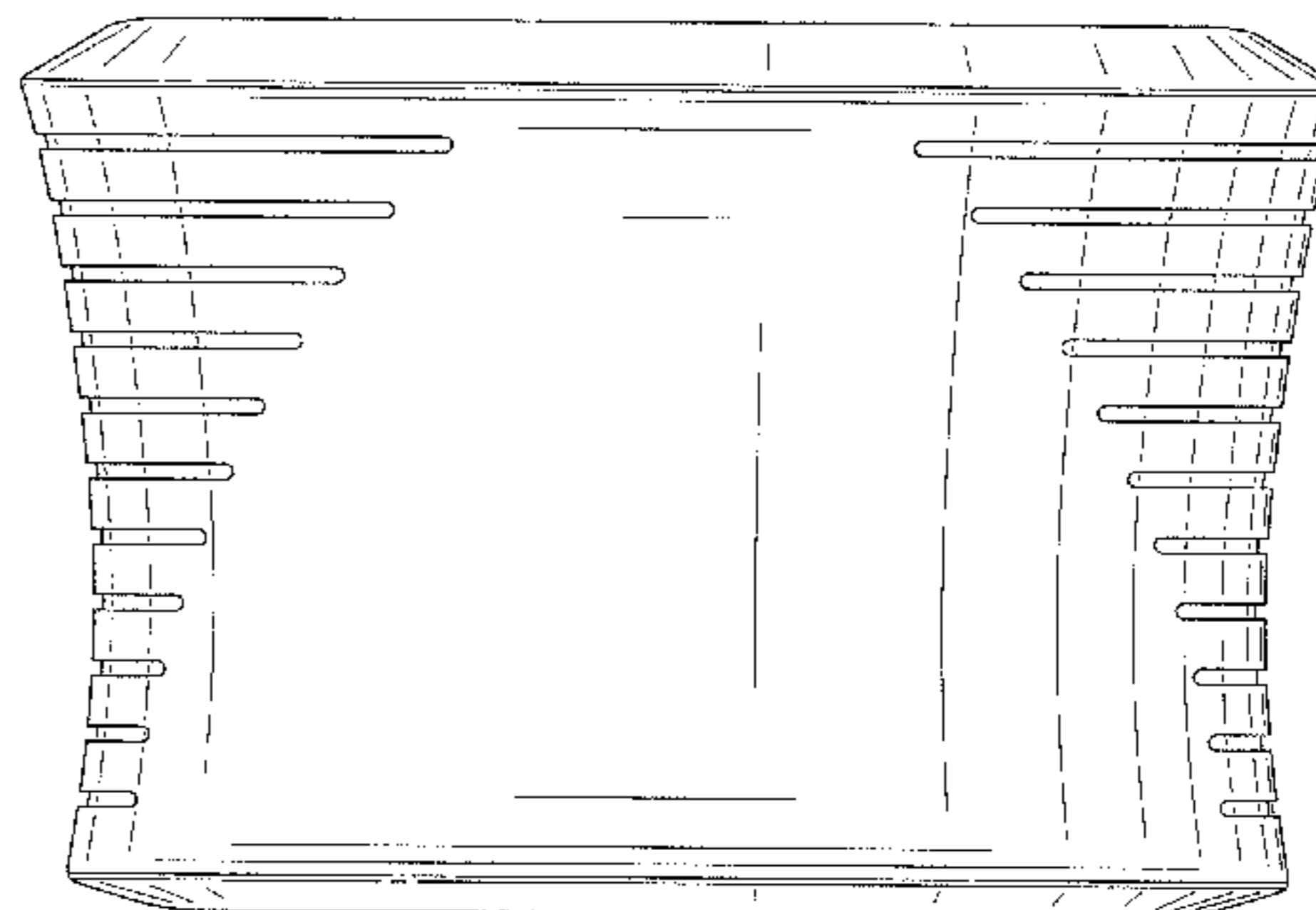
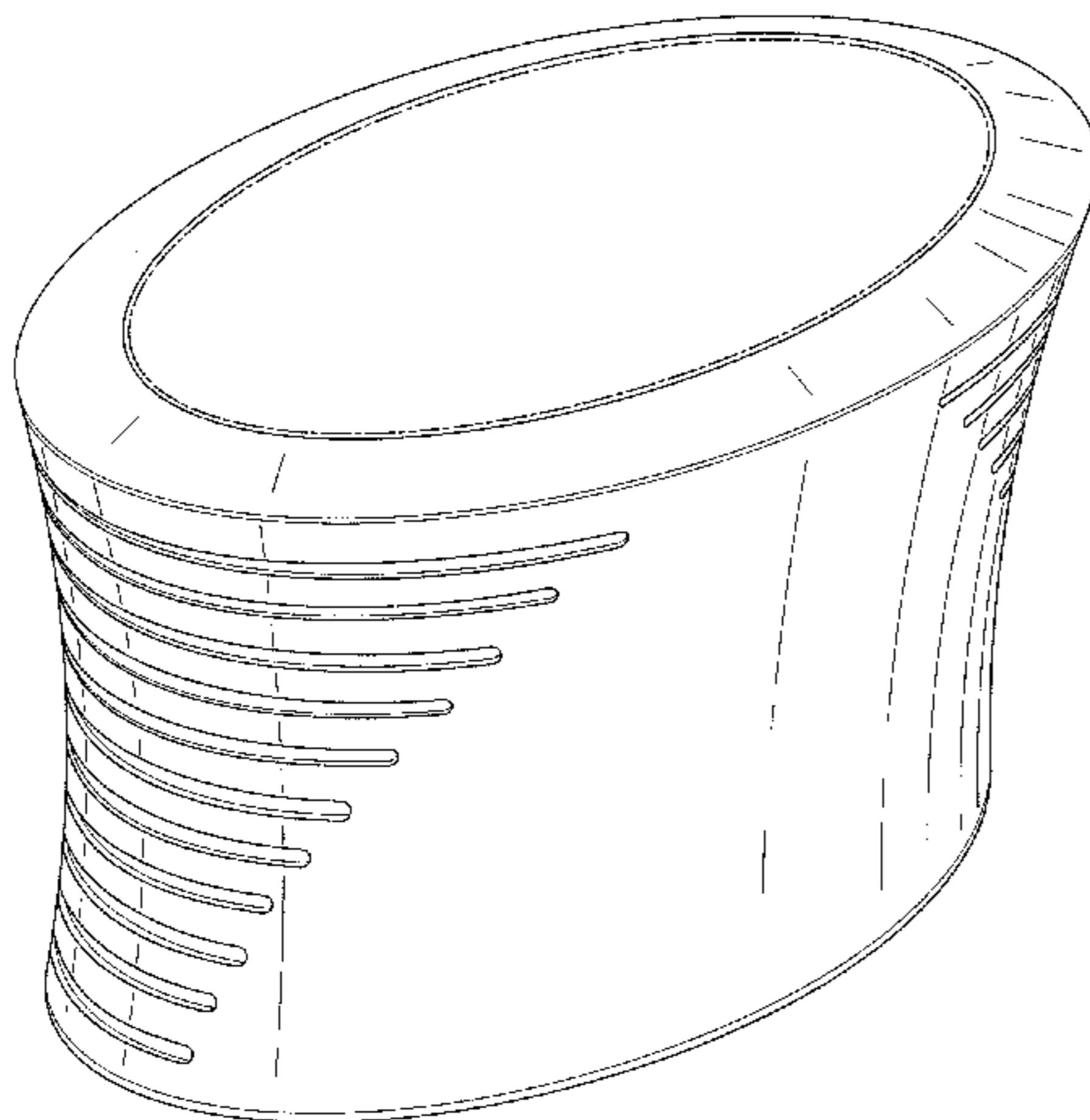
**DESCRIPTION**

FIG. 1 is a top, front, left perspective view of a collar anchor showing the new design.  
FIG. 2 is a bottom, rear, left perspective view thereof.  
FIG. 3 is a front side view thereof.  
FIG. 4 is a rear side view thereof.  
FIG. 5 is a right side view thereof.  
FIG. 6 is a left side view thereof.  
FIG. 7 is a top plan view thereof.  
FIG. 8 is a bottom plan view thereof; and,  
FIG. 9 is an enlarged view of the encircled portion in FIG. 8.

The dash-dot-dash broken lines shown in the drawings depict the boundaries of the claim and form no part of the claimed design. The dash-dash broken lines depict portions of the collar anchor that form no part of the claimed design. The dash-dot-dash broken lines encircling portions of the claimed design that are illustrated in the enlargement form no part of the claimed design.

**1 Claim, 9 Drawing Sheets**

- (56) **References Cited**  
**U.S. PATENT DOCUMENTS**  
431,402 A \* 7/1890 Schneider ..... A01K 27/005  
119/776  
D29,242 S \* 8/1898 Cleveland ..... 54/63



(56)

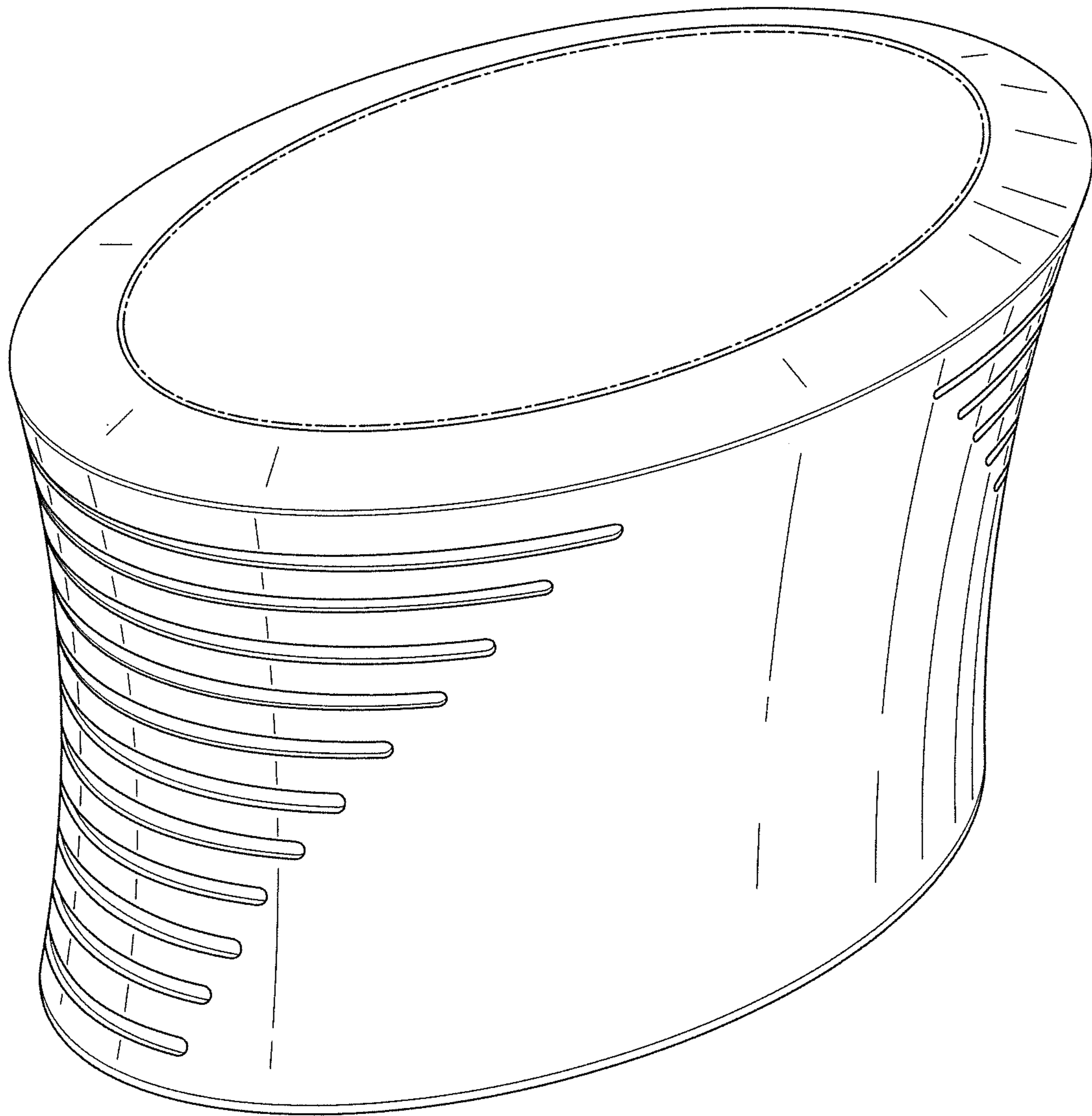
References Cited

U.S. PATENT DOCUMENTS

D53,071 S \* 3/1919 Hoffman ..... D9/781  
 D56,196 S \* 8/1920 Eshleman ..... D11/86  
 2,561,487 A \* 7/1951 Bailhe ..... B63B 21/20  
 114/230.26  
 D179,837 S \* 3/1957 Carabel ..... D9/431  
 3,701,339 A \* 10/1972 Kemmerling ..... A01K 27/005  
 119/864  
 D230,825 S \* 3/1974 Schuyler ..... D8/349  
 D235,184 S \* 5/1975 Achenbach ..... D7/615  
 D245,146 S \* 7/1977 Mullenax ..... D8/349  
 4,149,492 A \* 4/1979 Kovacs ..... A01K 27/005  
 119/774  
 D257,904 S \* 1/1981 Hamm, Jr. .... D28/12  
 4,270,492 A \* 6/1981 Goheen ..... A01K 27/005  
 114/230.2  
 D307,198 S \* 4/1990 Rojko ..... D2/622  
 D307,199 S \* 4/1990 Rojko ..... D2/622  
 5,099,799 A \* 3/1992 Giacobbe ..... A01K 1/04  
 119/793  
 D353,099 S \* 12/1994 Poisson ..... D9/529  
 5,415,609 A \* 5/1995 Yang ..... A63B 21/0552  
 297/344.21  
 D362,801 S \* 10/1995 Milroy ..... D9/428  
 5,743,216 A \* 4/1998 Holt, Jr. .... A01K 27/002  
 119/793  
 D399,612 S \* 10/1998 Weinacker, Jr. .... D30/160  
 6,062,173 A \* 5/2000 Heinrichs ..... A61G 7/1015  
 119/770  
 6,076,717 A \* 6/2000 Edwards ..... A01K 27/004  
 225/106  
 D434,968 S \* 12/2000 Fortier ..... D8/354  
 6,295,795 B1 \* 10/2001 Ehrmann ..... B68B 1/02  
 54/24  
 D456,211 S \* 4/2002 Price ..... D7/509  
 6,422,176 B1 \* 7/2002 Tonuzi ..... A01K 27/003  
 119/763  
 D464,877 S \* 10/2002 Weinstein ..... D9/418  
 6,619,238 B1 \* 9/2003 Amato ..... A01K 27/003  
 119/792  
 D487,016 S \* 2/2004 DeBiasse ..... D9/444  
 D492,592 S \* 7/2004 Palomino, Jr. .... D9/504  
 D504,066 S \* 4/2005 King ..... D9/435  
 6,971,513 B2 \* 12/2005 Weinstein ..... B65D 11/02  
 206/321

D521,202 S \* 5/2006 Lin ..... D11/143  
 D553,955 S \* 10/2007 Moser ..... D8/354  
 D563,784 S \* 3/2008 Swartz ..... D9/434  
 D590,632 S \* 4/2009 Zak ..... D6/668  
 D600,863 S \* 9/2009 Goodell ..... D30/153  
 D644,526 S \* 9/2011 Howell ..... D9/521  
 8,151,735 B1 \* 4/2012 McCrocklin ..... A01K 27/003  
 119/796  
 D673,455 S \* 1/2013 Lachery ..... D9/445  
 D677,073 S \* 3/2013 Zak ..... D6/686  
 D691,881 S \* 10/2013 Ivey ..... D9/424  
 8,567,349 B2 \* 10/2013 Wherley ..... A01K 1/04  
 119/787  
 D695,469 S \* 12/2013 Dougherty ..... D30/152  
 D744,814 S \* 12/2015 Comerford ..... D8/354  
 D807,611 S \* 1/2018 Almarales ..... D2/642  
 D814,924 S \* 4/2018 Georgiadis ..... D9/428  
 D835,359 S \* 12/2018 Lown ..... D30/152  
 D835,360 S \* 12/2018 Lown ..... D30/153  
 D835,361 S \* 12/2018 Lown ..... D30/153  
 2003/0145801 A1 \* 8/2003 DeBien ..... A01K 27/005  
 119/772  
 2005/0139170 A1 \* 6/2005 Simoni ..... A01K 27/006  
 119/859  
 2006/0065201 A1 \* 3/2006 Cogliano ..... A01K 7/00  
 119/61.56  
 2006/0096552 A1 \* 5/2006 Cheng Yin Tsai ... A01K 27/001  
 119/863  
 2008/0245317 A1 \* 10/2008 Caldwell ..... A01K 1/04  
 119/795  
 2009/0000569 A1 \* 1/2009 Behravesh ..... A01K 13/006  
 119/815  
 2011/0192355 A1 \* 8/2011 Van Duyl-Spaargaren .....  
 A01K 27/002  
 119/793  
 2012/0042837 A1 \* 2/2012 Vandenbulcke ..... A01K 27/00  
 119/792  
 2014/0137808 A1 \* 5/2014 White ..... A01N 25/34  
 119/654  
 2015/0047651 A1 \* 2/2015 Haapapuro ..... A61F 11/08  
 128/866  
 2015/0164050 A1 \* 6/2015 Robertson ..... A01K 27/003  
 119/795  
 2016/0198684 A1 \* 7/2016 Keuch ..... A01K 27/001  
 119/863

\* cited by examiner



**FIG. 1**

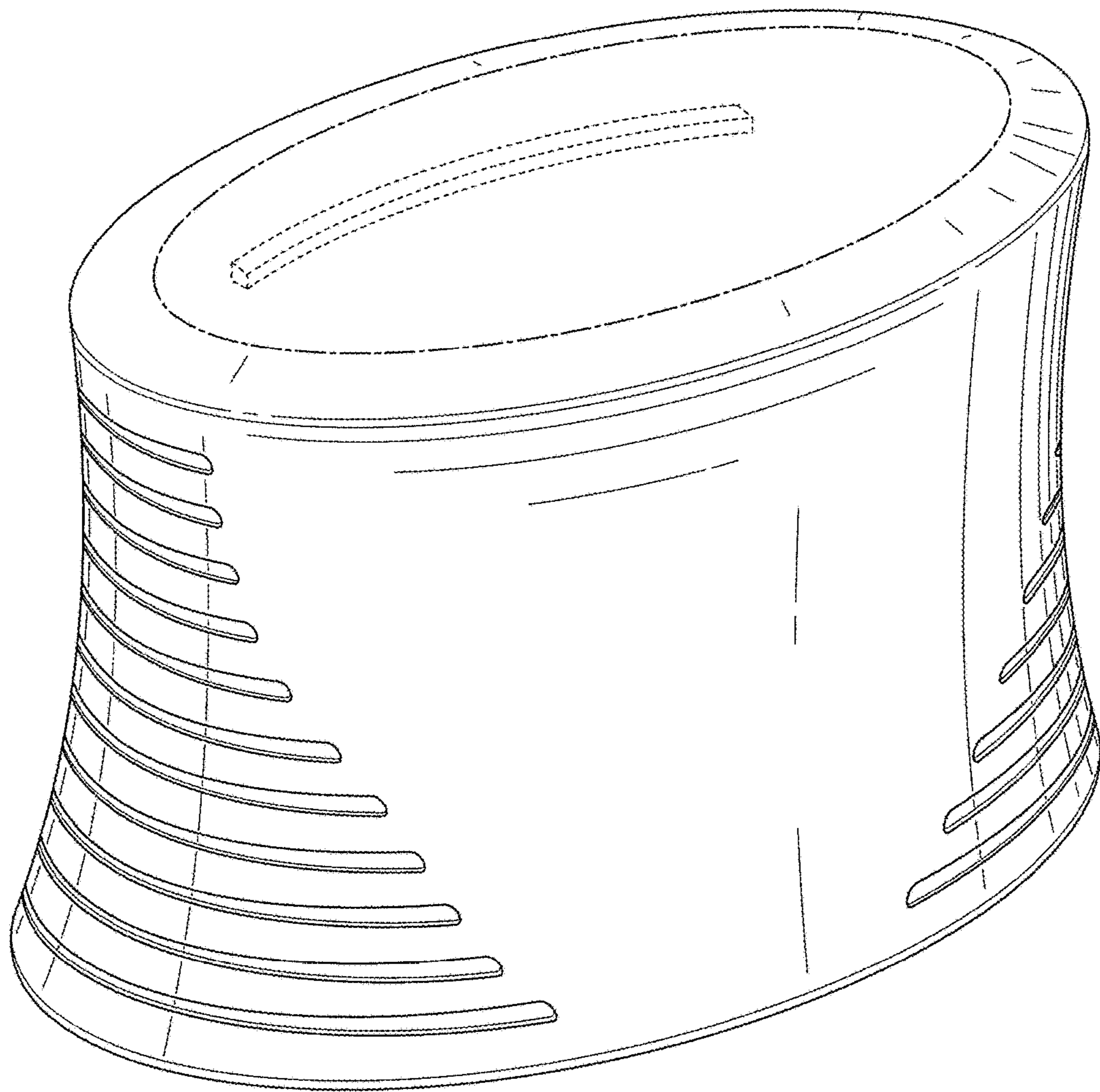


FIG. 2

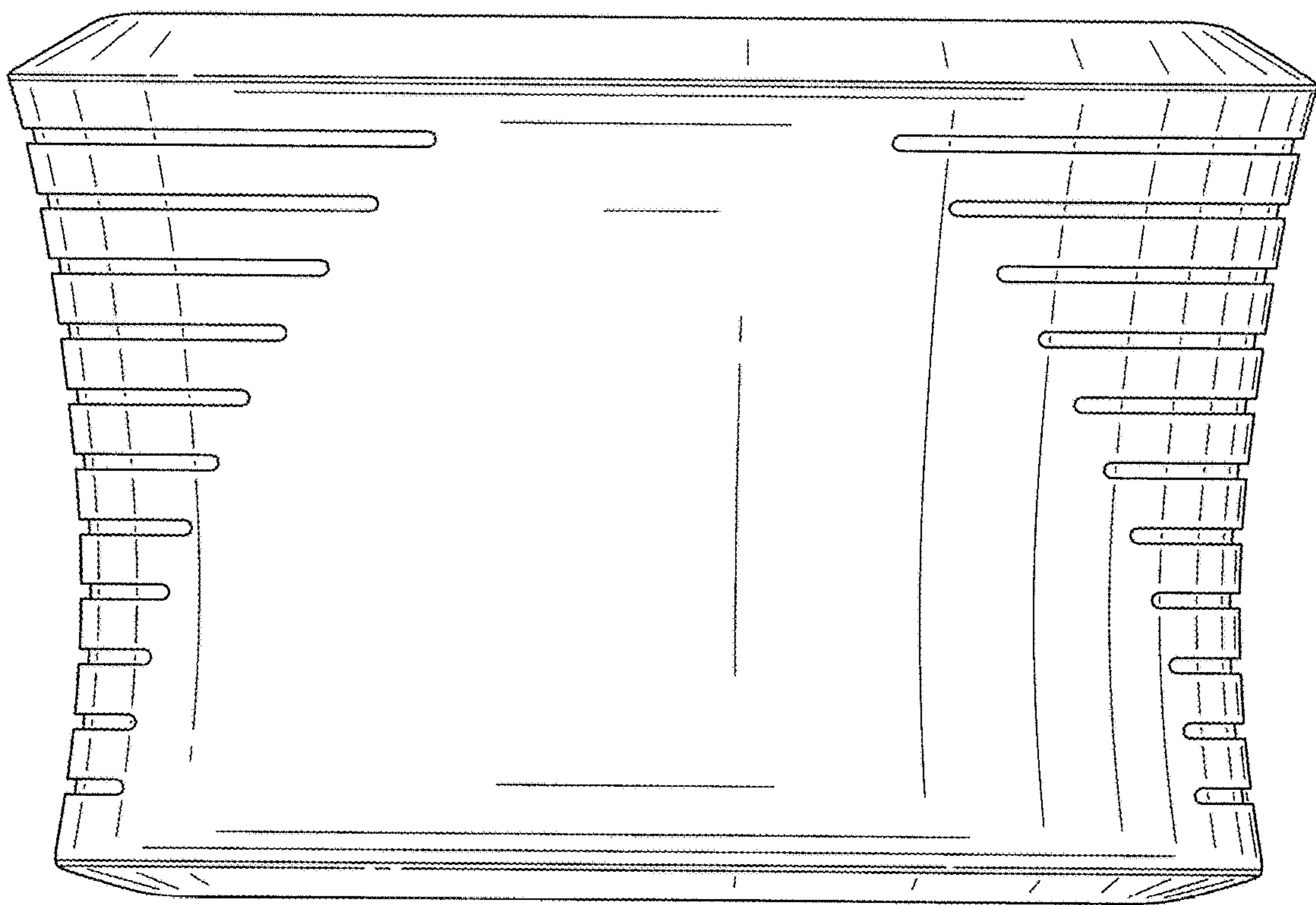


FIG. 3

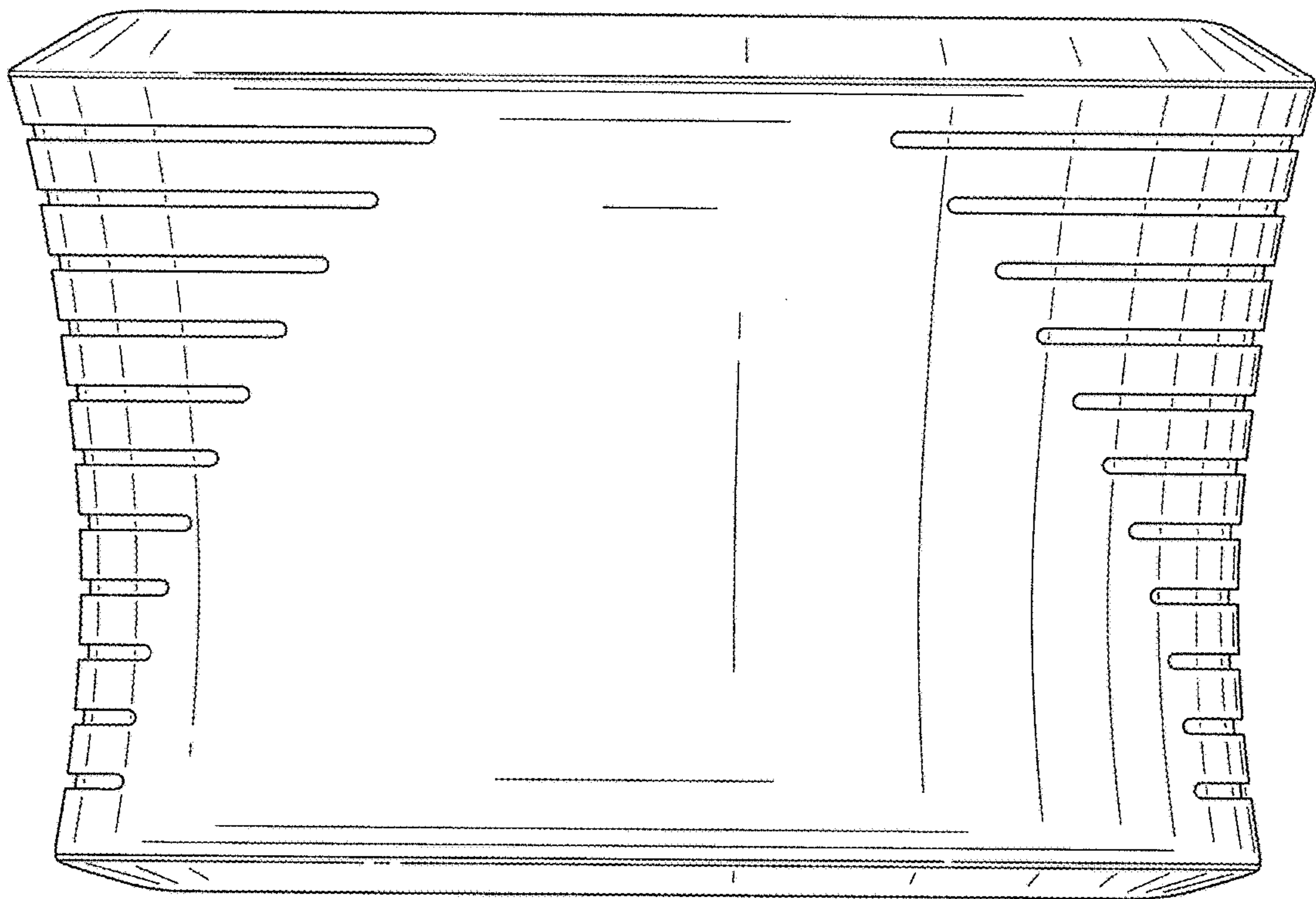
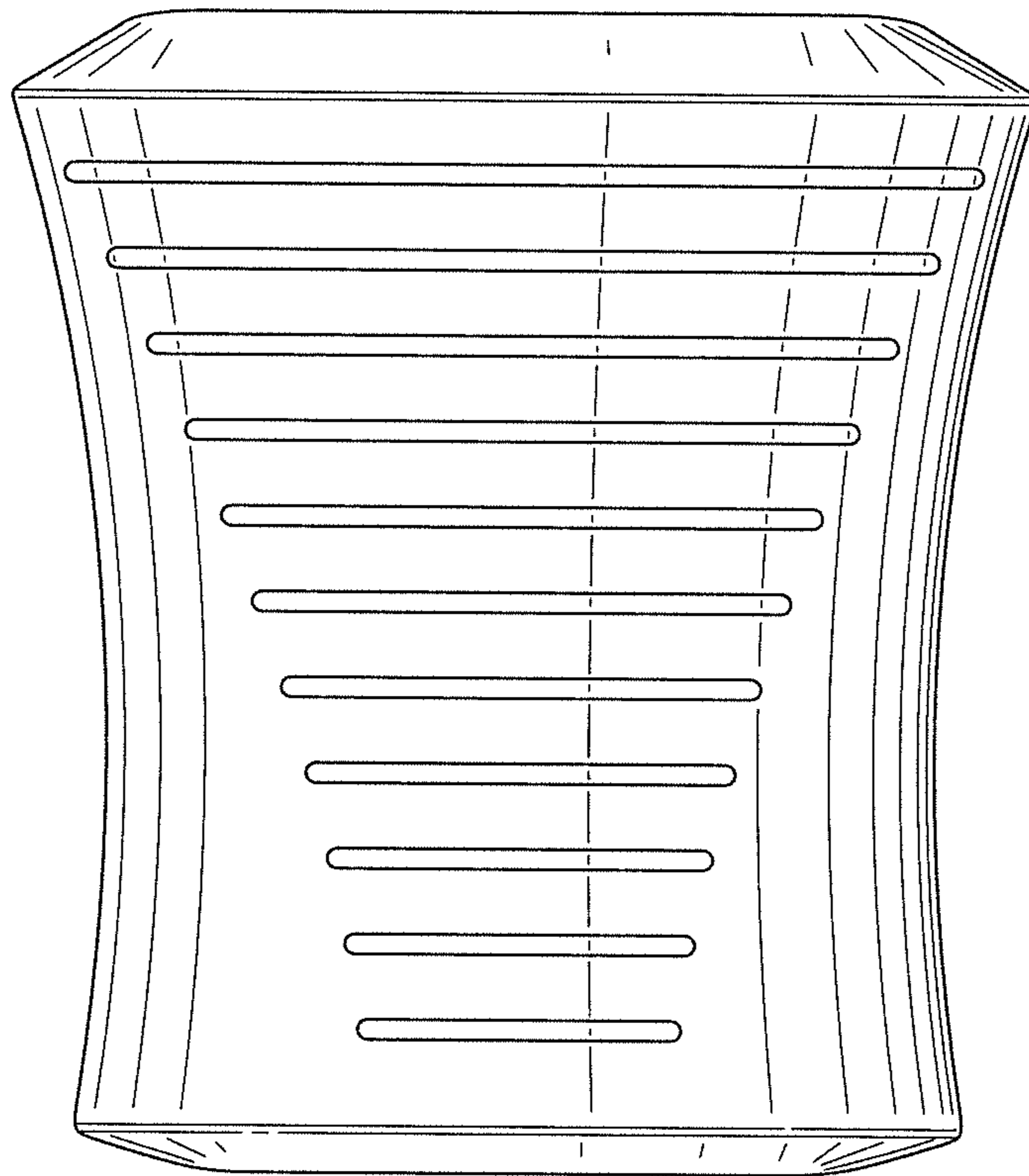


FIG. 4



**FIG. 5**

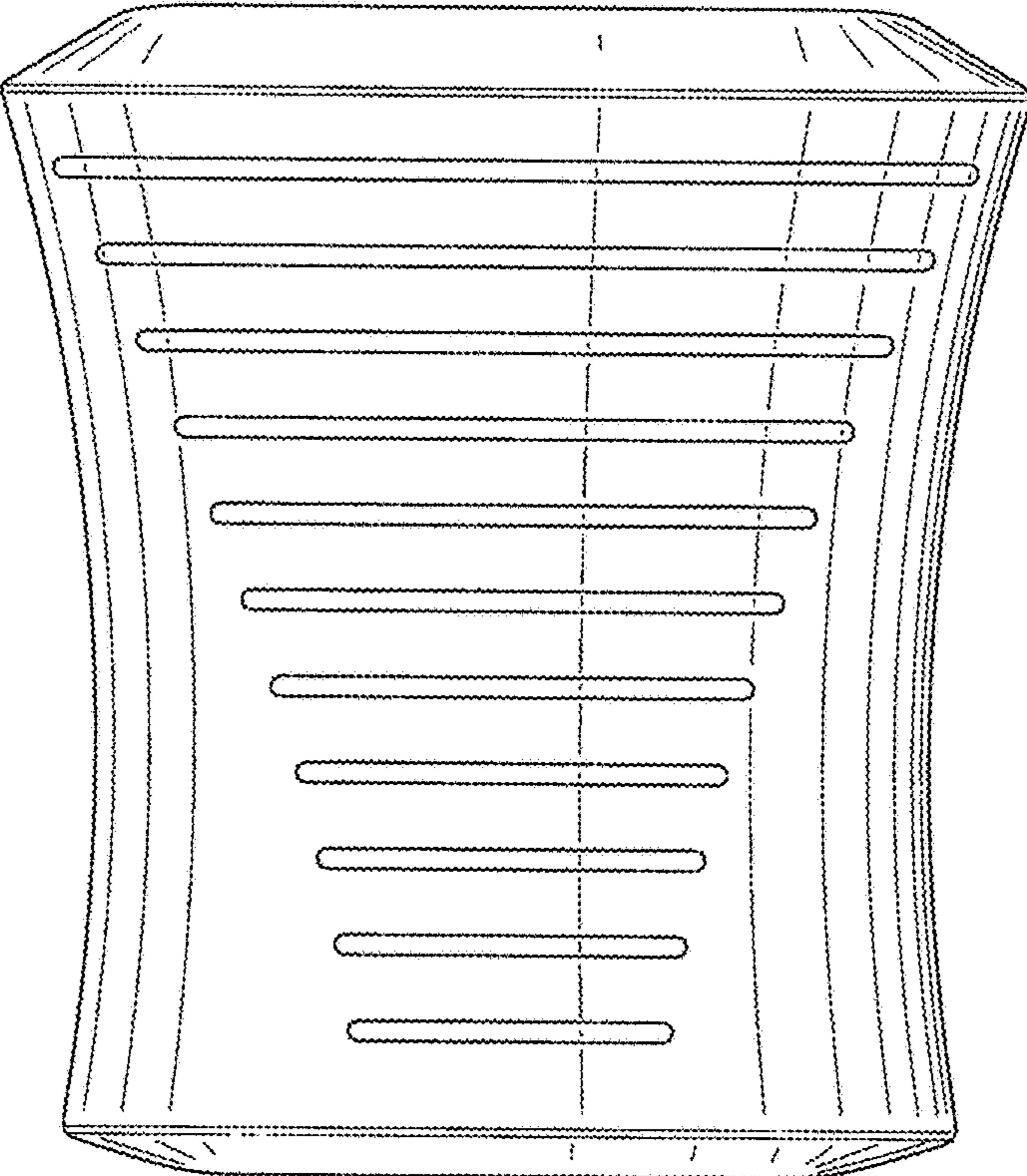


FIG. 6



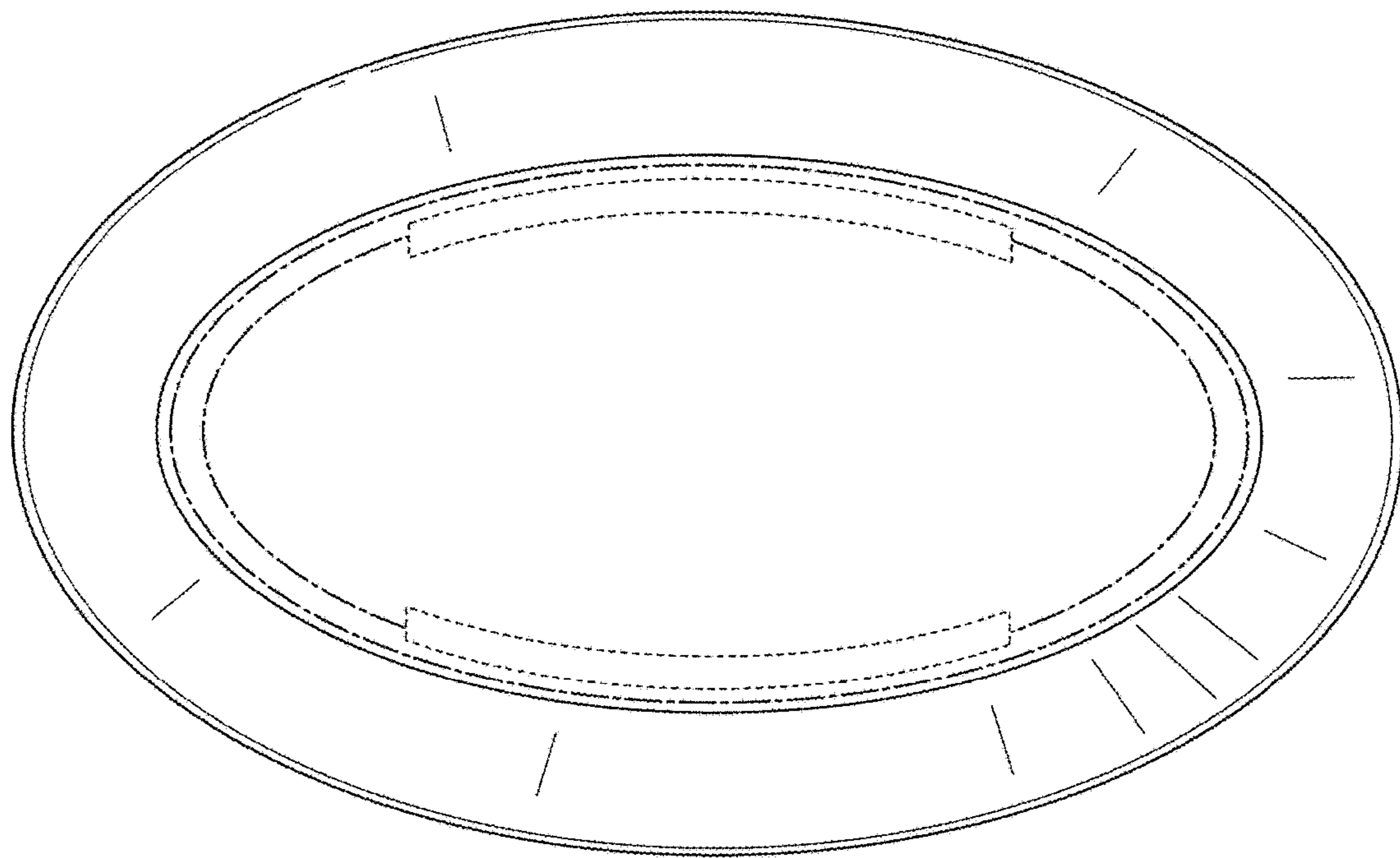
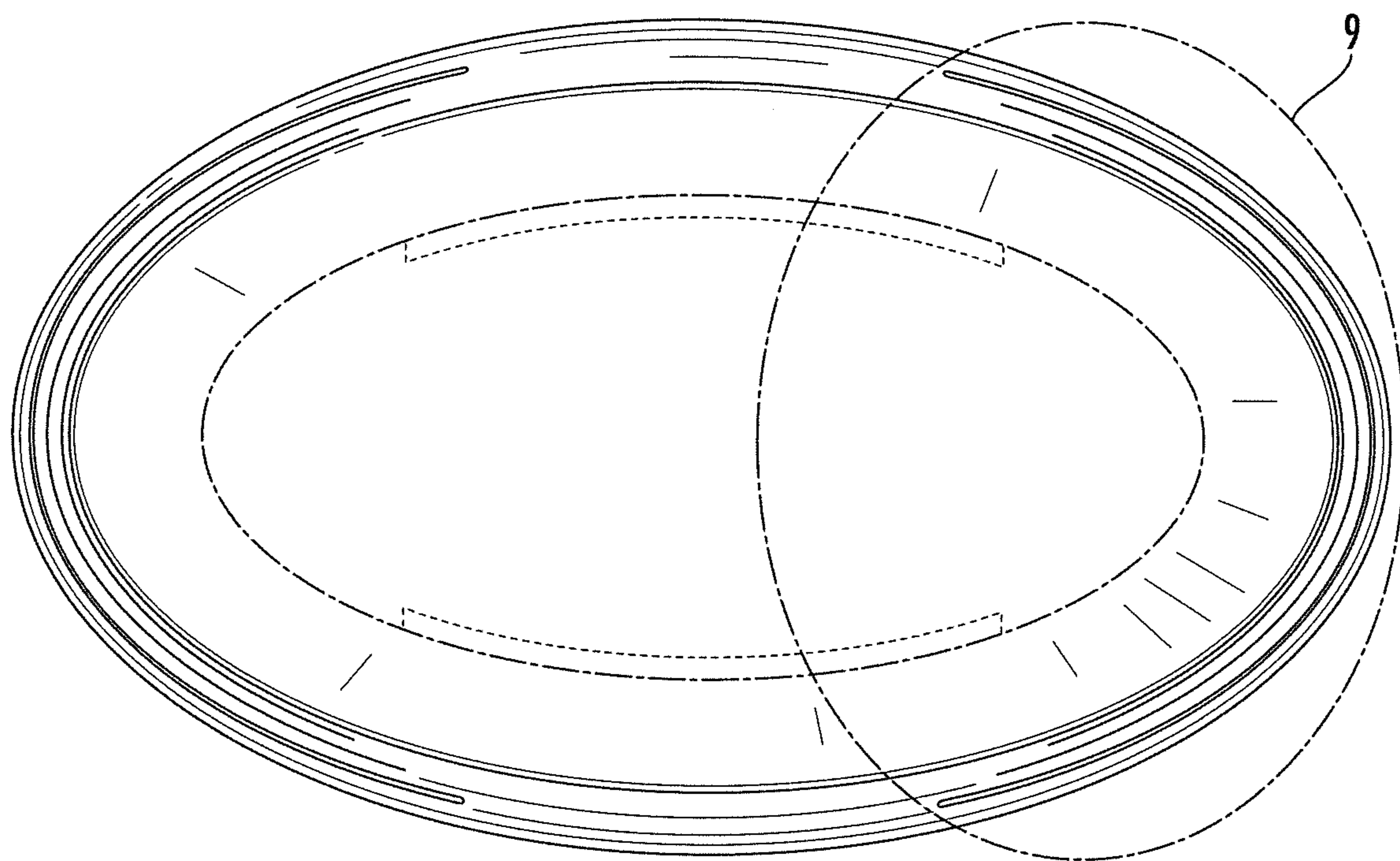


FIG. 7



**FIG. 8**

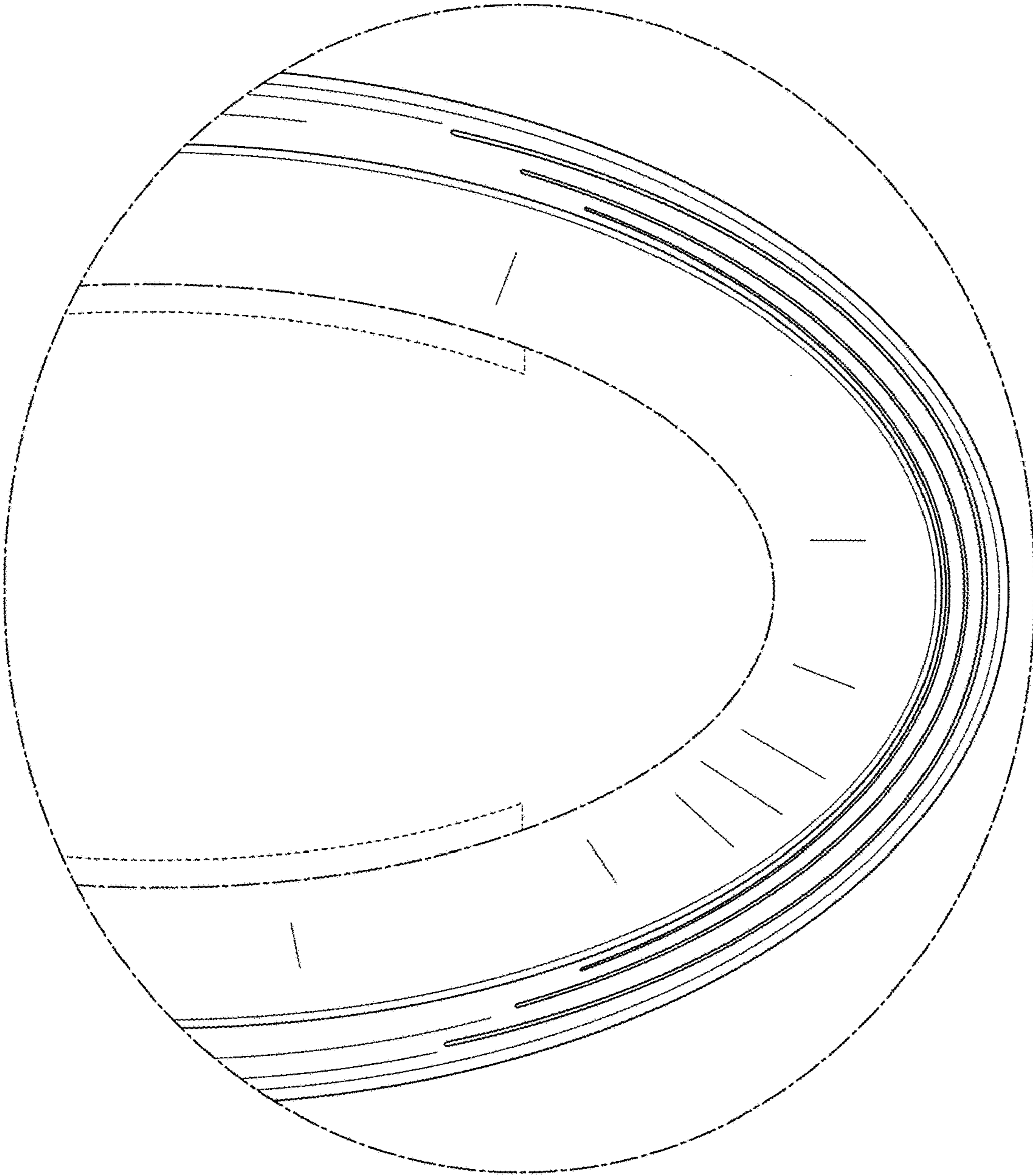


FIG. 9