



US00D855261S

(12) **United States Design Patent**
Duran-Jimenez

(10) **Patent No.:** **US D855,261 S**
(45) **Date of Patent:** **** Jul. 30, 2019**

- (54) **PEST-FREE FEEDER**
- (71) Applicant: **Hugo G. Duran-Jimenez**, San Bernardino, CA (US)
- (72) Inventor: **Hugo G. Duran-Jimenez**, San Bernardino, CA (US)
- (**) Term: **15 Years**
- (21) Appl. No.: **29/642,031**
- (22) Filed: **Mar. 27, 2018**
- Related U.S. Application Data**
- (63) Continuation-in-part of application No. 15/860,457, filed on Jan. 2, 2018.
- (60) Provisional application No. 62/441,473, filed on Jan. 2, 2017.
- (51) **LOC (11) Cl.** **30-03**
- (52) **U.S. Cl.**
USPC **D30/129**
- (58) **Field of Classification Search**
USPC D30/133, 121, 128, 130, 132, 129, 131;
119/61.53, 52.1, 55, 61.5, 61.6, 61.57,
119/61.56; D6/403, 480-485; 248/188,
248/95, 97, 99-101, 146, 165, 167;
312/204; 108/153.1-157; D7/367, 403,
D7/366, 558; 43/109; 126/29; D22/122
CPC A01K 5/0142; A01K 5/00; A01K 5/01;
A01K 5/0107; A01K 5/0114; A01K
5/0121; A01K 5/0128; A01K 5/0135;
A01K 7/005; A01K 39/0113; A01M
29/34
See application file for complete search history.

(56) **References Cited**
U.S. PATENT DOCUMENTS

- 299,713 A * 6/1884 Babbit et al. F24B 1/205
126/29
- 779,924 A * 1/1905 Gommel A01G 5/04
248/146

- 1,342,807 A * 6/1920 Harrington D06F 1/06
220/4.12
- 1,359,388 A * 11/1920 Koerner A01G 9/12
211/33
- D132,421 S * 5/1942 Krapp 119/77
- 2,366,584 A * 1/1945 Woodward A01K 5/0114
119/72
- D148,608 S * 2/1948 Bullock D30/104
- 2,584,301 A * 2/1952 Sinclair A01K 5/01
119/51.5
- D192,550 S * 4/1962 Wright D26/22
- 3,259,106 A * 7/1966 Ray A01K 5/015
119/51.03
- D231,887 S * 6/1974 Kephart D30/133
- D257,068 S * 9/1980 Imhoff D30/129
- D257,494 S * 11/1980 Imhoff D30/129
- 4,248,397 A * 2/1981 Casper A47G 23/0216
211/81
- 4,257,353 A * 3/1981 Imhoff A01K 5/0121
119/61.56
- D260,043 S * 7/1981 Robinson D30/129
- 4,488,697 A * 12/1984 Garvey B65F 1/1415
248/101

(Continued)

Primary Examiner — Susan Moon Lee

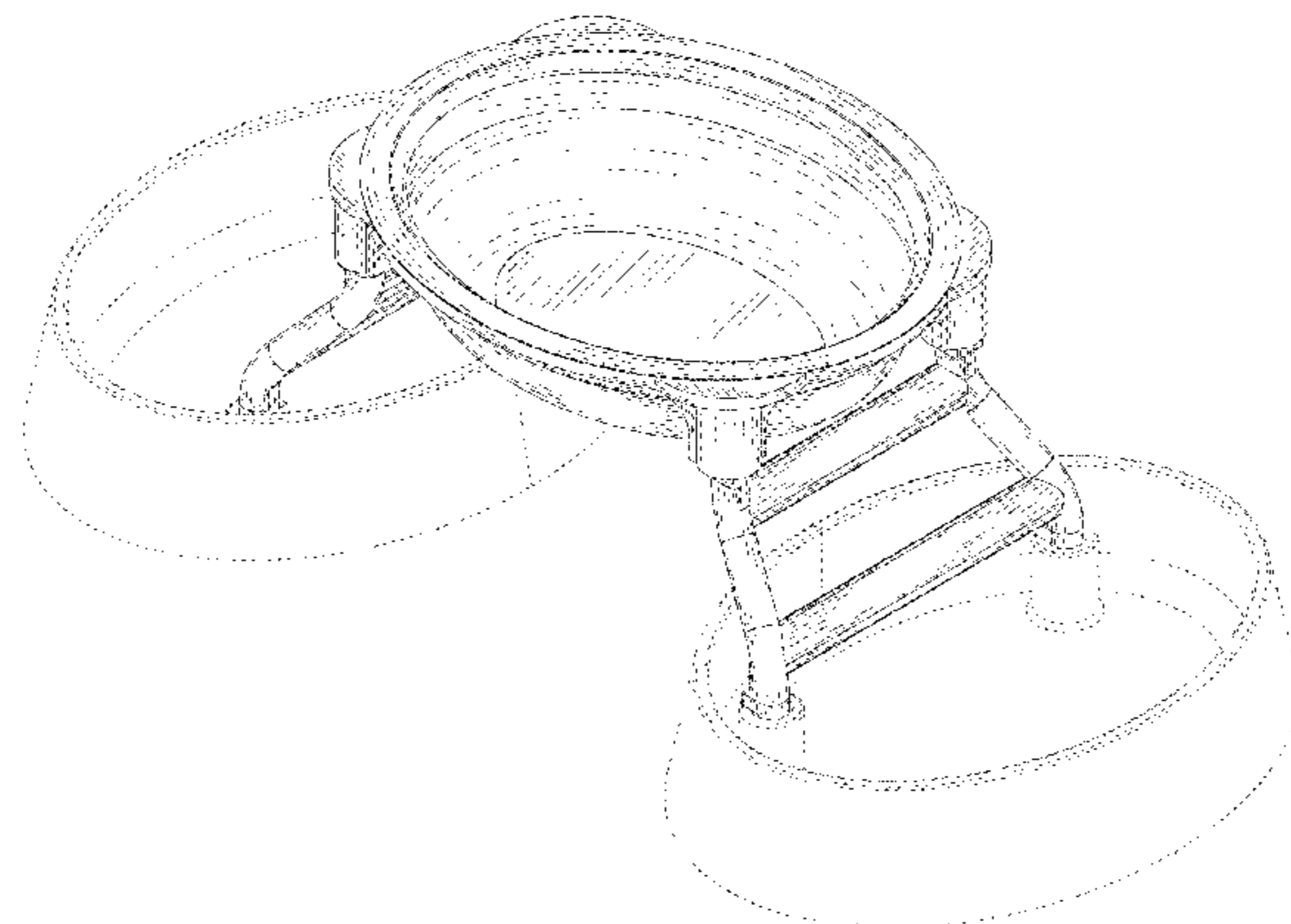
(57) **CLAIM**

The ornamental design for a pest-free feeder, as shown and described.

DESCRIPTION

FIG. 1 is a top perspective view of a pest-free feeder; FIG. 2 is a top elevational view side view thereof; FIG. 3 is a bottom elevational view side view thereof; FIG. 4 is a front side view thereof; FIG. 5 is a left side and right side view thereof; FIG. 6 is an exploded top perspective view thereof; and, FIG. 7 is an enlarged view of a leg of the pest free feeder.

1 Claim, 7 Drawing Sheets



(56)

References Cited

U.S. PATENT DOCUMENTS

4,658,759 A * 4/1987 Brown A01K 5/0114
 119/61.5
 D289,807 S * 5/1987 Russell D30/129
 4,899,967 A * 2/1990 Johnson B65B 67/12
 248/97
 5,125,364 A * 6/1992 Sagucio A01K 39/0113
 119/61.53
 5,347,979 A * 9/1994 Haber A47J 36/2405
 126/33
 D361,632 S * 8/1995 Ratia D26/10
 D378,149 S * 2/1997 Mann D30/133
 D405,290 S * 2/1999 Hollinger D6/403
 D410,781 S * 6/1999 Sharon D30/129
 D412,605 S * 8/1999 Sharon D30/129
 5,992,662 A * 11/1999 Holt B67C 9/00
 141/319
 5,996,531 A * 12/1999 Anderson A01K 5/0142
 119/61.53
 D426,752 S * 6/2000 Whaley D7/619.1
 D446,361 S * 8/2001 Elliott D30/129
 D451,709 S * 12/2001 Heithecker D6/661.3

D494,325 S * 8/2004 Paterson D30/121
 D520,405 S * 5/2006 Prebil D11/121
 D551,400 S * 9/2007 Tsengas D30/133
 D625,885 S * 10/2010 Bianchi D30/129
 8,006,433 B1 * 8/2011 Bryanton A01G 9/12
 47/45
 D653,474 S * 2/2012 Garcia D6/404
 D665,541 S * 8/2012 Shamoon D30/121
 D676,716 S * 2/2013 Lalo D7/619.1
 D700,752 S * 3/2014 Gilkey D30/129
 D701,005 S * 3/2014 Gilkey D30/121
 D723,874 S * 3/2015 Marques D7/558
 9,095,117 B1 * 8/2015 Kumar A01K 5/01
 D744,174 S * 11/2015 Jones D30/121
 D755,447 S * 5/2016 Andrews D30/129
 D770,099 S * 10/2016 Jones D30/129
 D782,127 S * 3/2017 Wechsler D30/121
 D782,128 S * 3/2017 Wechsler D30/121
 2006/0005775 A1 * 1/2006 Ritchey A01K 5/0142
 119/61.5
 2015/0250147 A1 * 9/2015 Briski A01K 7/00
 248/125.7
 2016/0242385 A1 * 8/2016 Parness A01K 5/0114
 2016/0255805 A1 * 9/2016 Jones F16M 11/041

* cited by examiner

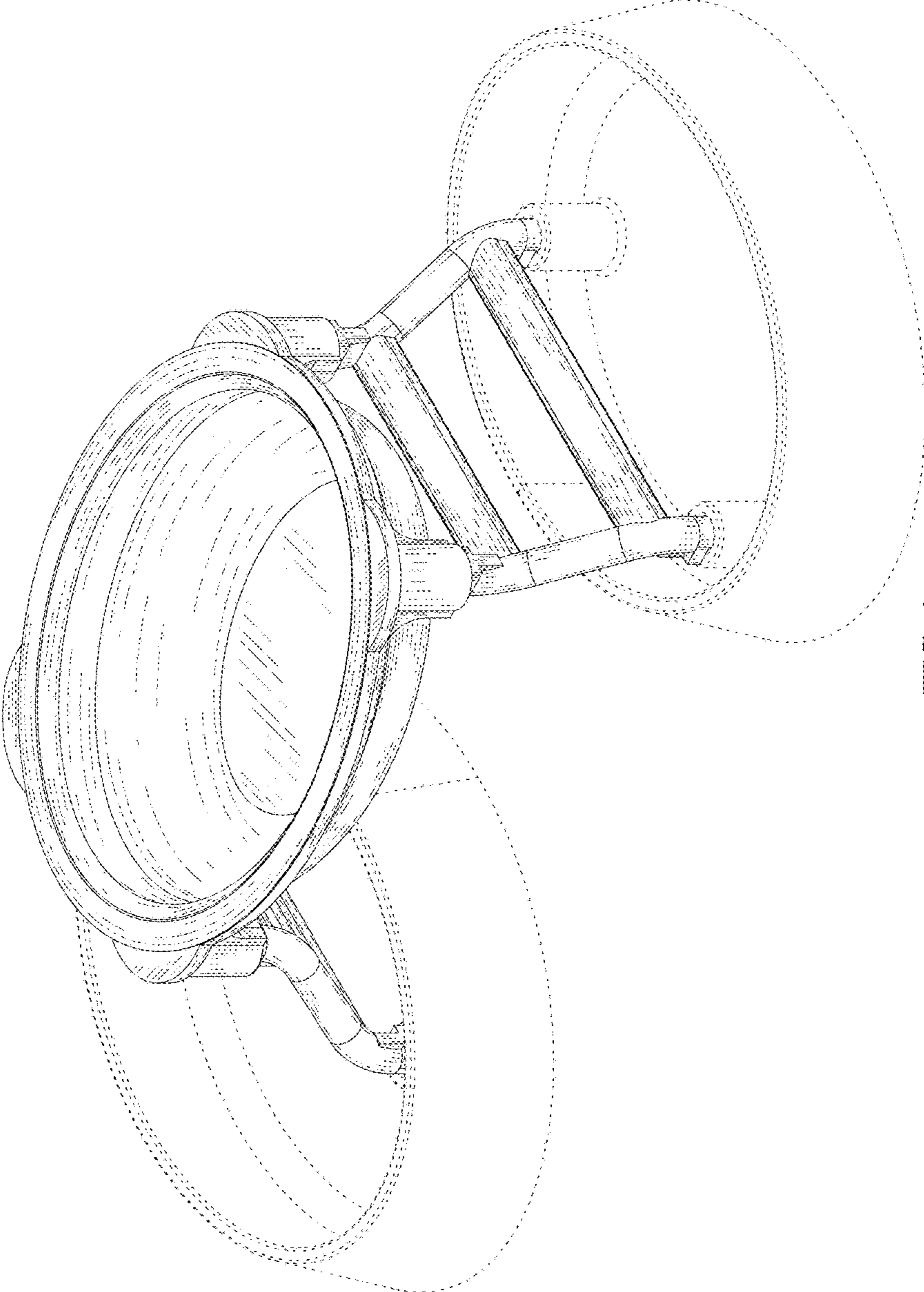


FIG. 1

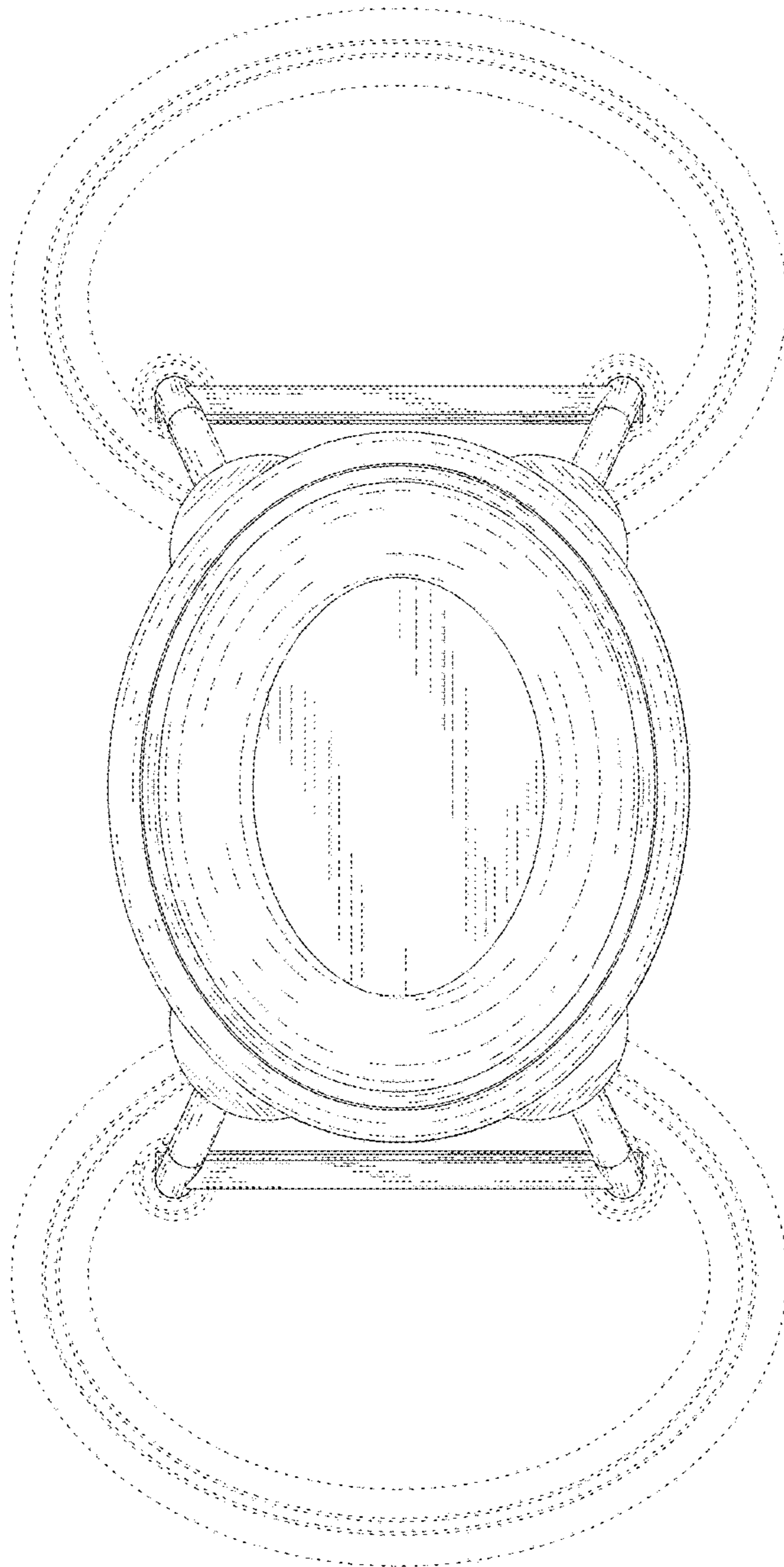


FIG. 2

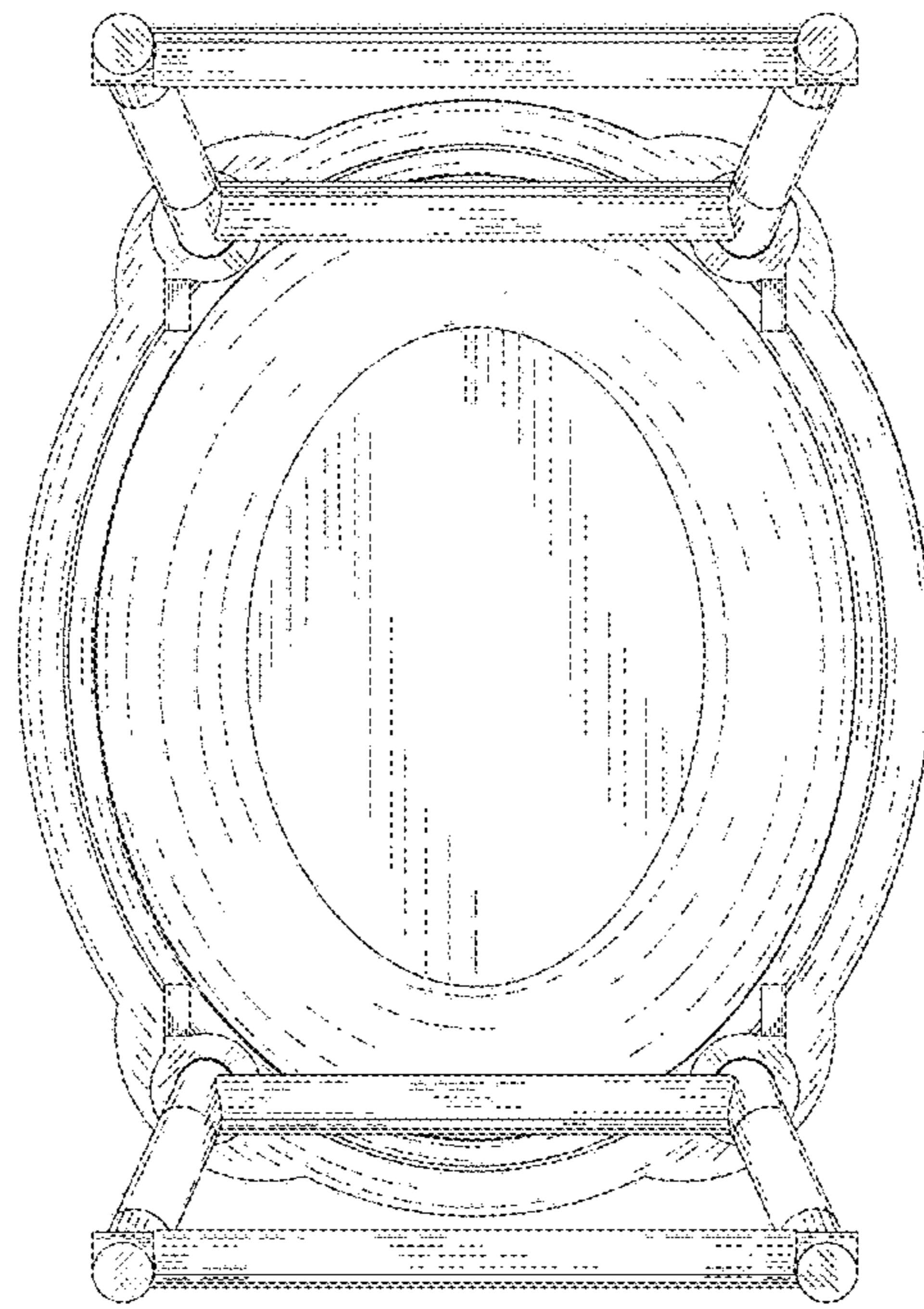


FIG. 3

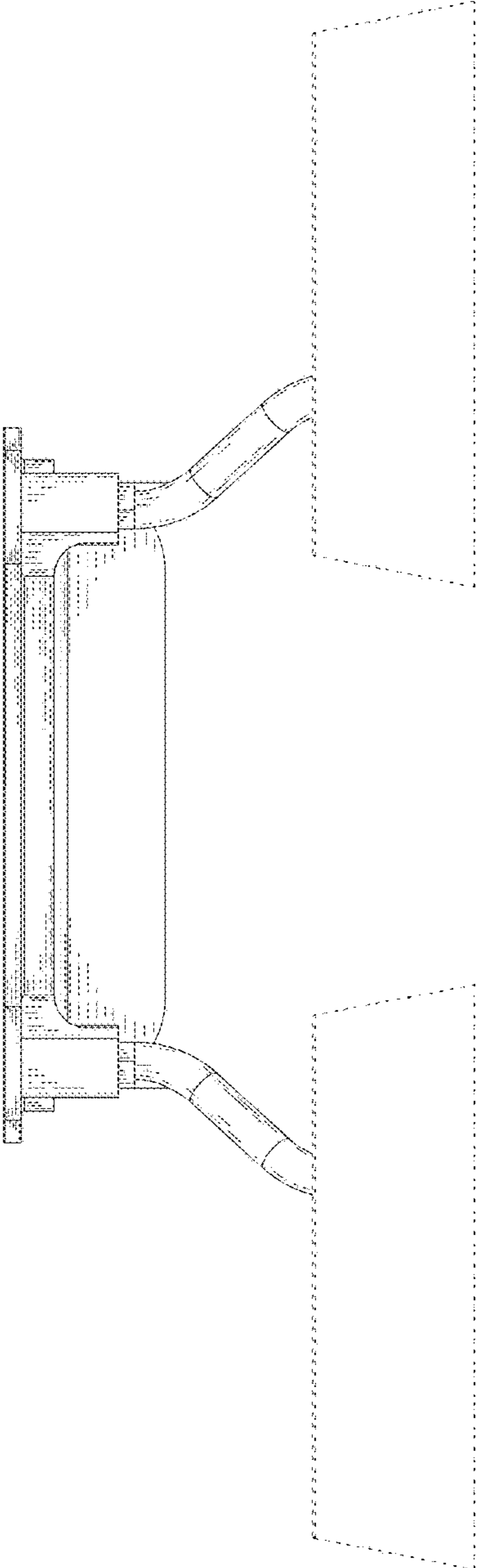


FIG. 4

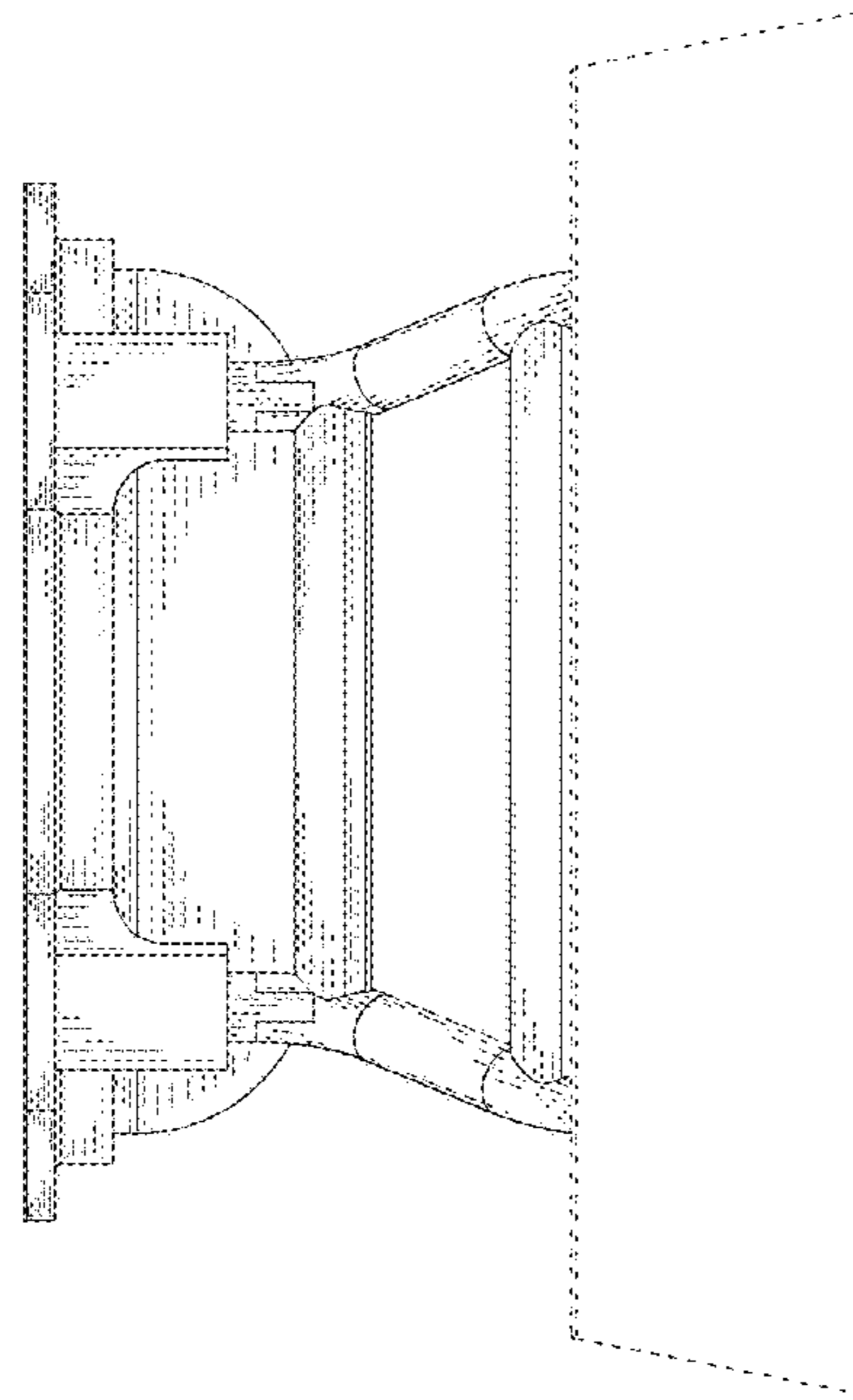


FIG. 5

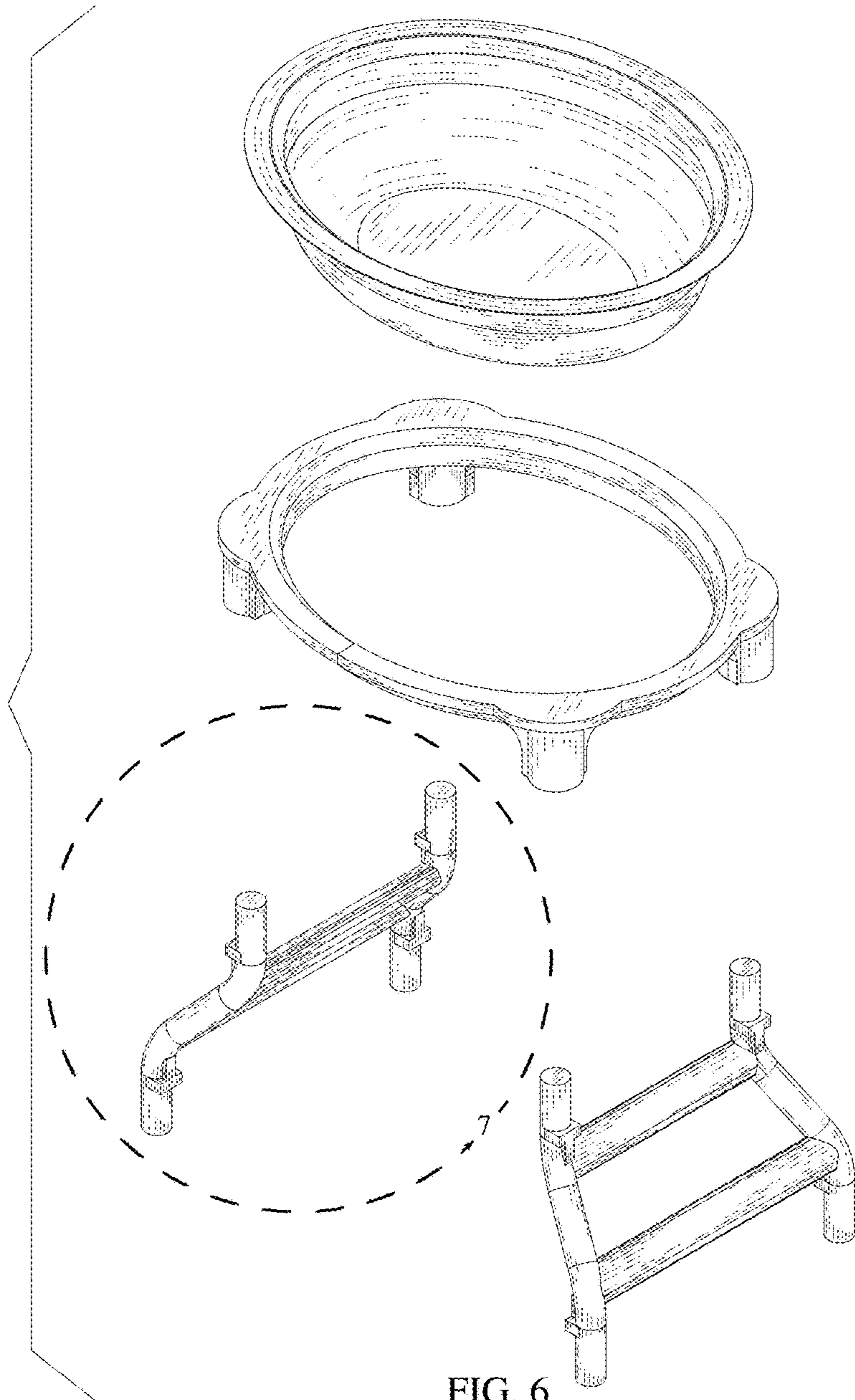


FIG. 6

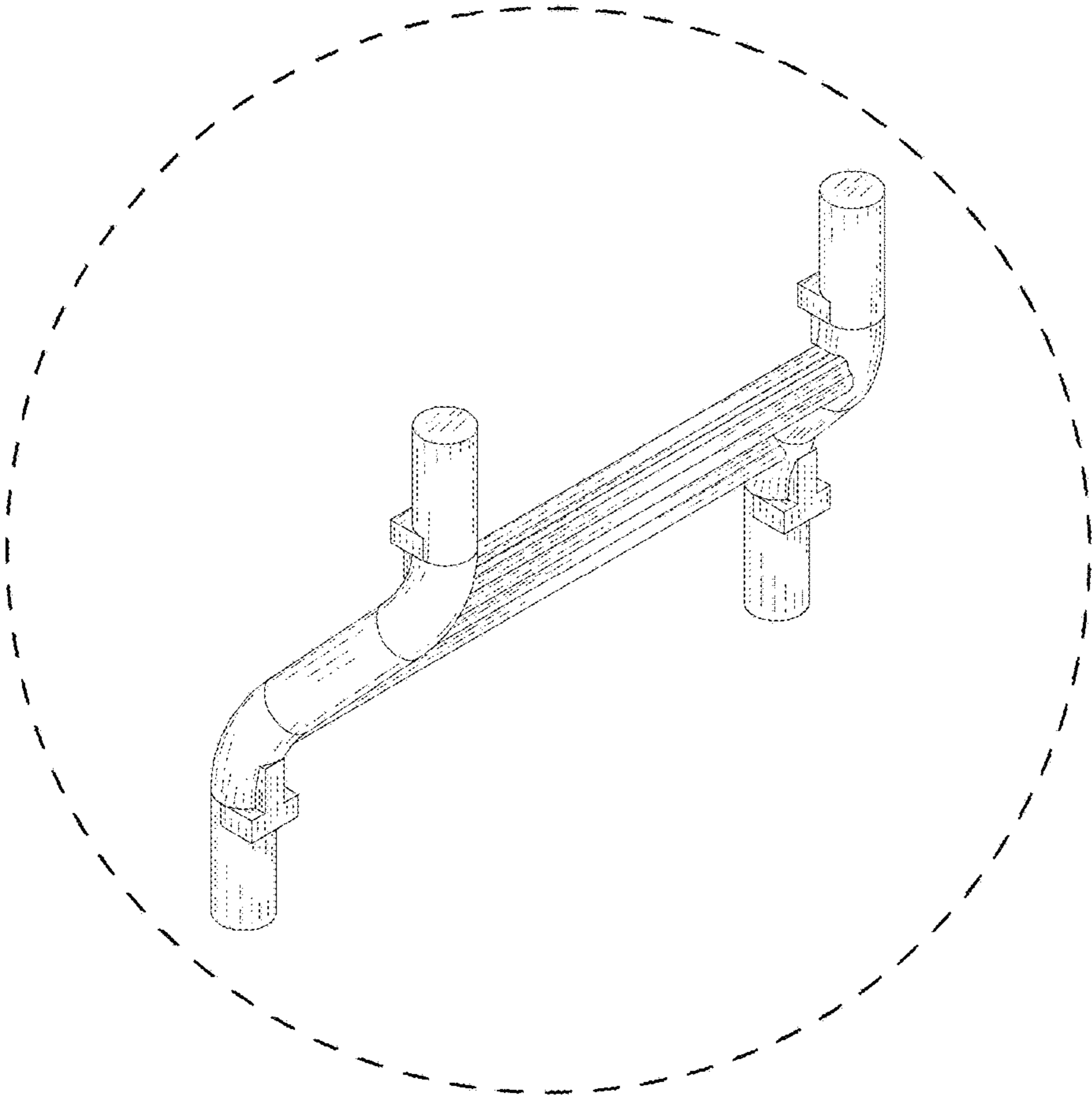


FIG. 7