



US00D855260S

(12) **United States Design Patent**
Estrup

(10) **Patent No.:** **US D855,260 S**

(45) **Date of Patent:** **** Jul. 30, 2019**

(54) **DOG BASKET**

(71) Applicant: **CAVA PLASTICS A/S, Mariager (DK)**

(72) Inventor: **Niels Peter Estrup, Mariager (DK)**

(73) Assignee: **CAVA PLASTICS A/S, Mariager (DK)**

(**) Term: **15 Years**

(21) Appl. No.: **29/563,552**

(22) Filed: **May 5, 2016**

(30) **Foreign Application Priority Data**

Feb. 18, 2016 (EM) 002992099-0001

(51) **LOC (11) Cl.** **30-01**

(52) **U.S. Cl.**
USPC **D30/118**

(58) **Field of Classification Search**
USPC D30/108, 109, 113, 114, 115, 117, 118;
119/28.5; 273/247; D3/201, 304, 305,
D3/306, 307; D6/672, 675, 595-597,
D6/601, 707.13, 349; D11/143; D19/92
CPC A01K 1/00; A01K 1/033; A01K 1/035;
A01K 1/0245; A01K 1/0353; A01K
31/18; A01K 31/22; A01K 1/17; A01K
1/03; A01K 1/0254; A01K 3/00; A47G
9/00; A47G 9/02; A47G 9/10; A47G
9/007; A47G 9/1009; A47G 2009/1018

See application file for complete search history.

(56) **References Cited**

U.S. PATENT DOCUMENTS

D124,557 S * 1/1941 Richardson 119/28.5
D131,147 S * 1/1942 Richardson D30/118
D363,662 S * 10/1995 Plater D3/304
D380,880 S * 7/1997 Reid D30/118
D388,560 S * 12/1997 Savicki D30/118

D391,687 S * 3/1998 McMahon D19/92
D423,983 S * 5/2000 Goldman D11/143
D436,728 S * 1/2001 Harding D3/201
D547,064 S * 7/2007 Snell D3/304
D555,904 S * 11/2007 Snell D3/304
D600,330 S * 9/2009 Barba D23/280.1
D657,563 S * 4/2012 Hardy D3/306
D692,668 S * 11/2013 Hu D3/306
9,326,483 B2 * 5/2016 Hall A01K 1/033

(Continued)

OTHER PUBLICATIONS

WonderFold—Foldable bed for dogs Fold it and bring it with you by CooCoo Design,[online], [site visited Mar. 17, 2016]. Available from Internet, <URL:https://competition.adesignaward.com/design.php?ID=45505>.*

(Continued)

Primary Examiner — Caron D Veynar

Assistant Examiner — Katrina N Gonzalez

(74) *Attorney, Agent, or Firm* — Berg Hill Greenleaf Ruscitti LLP.

(57) **CLAIM**

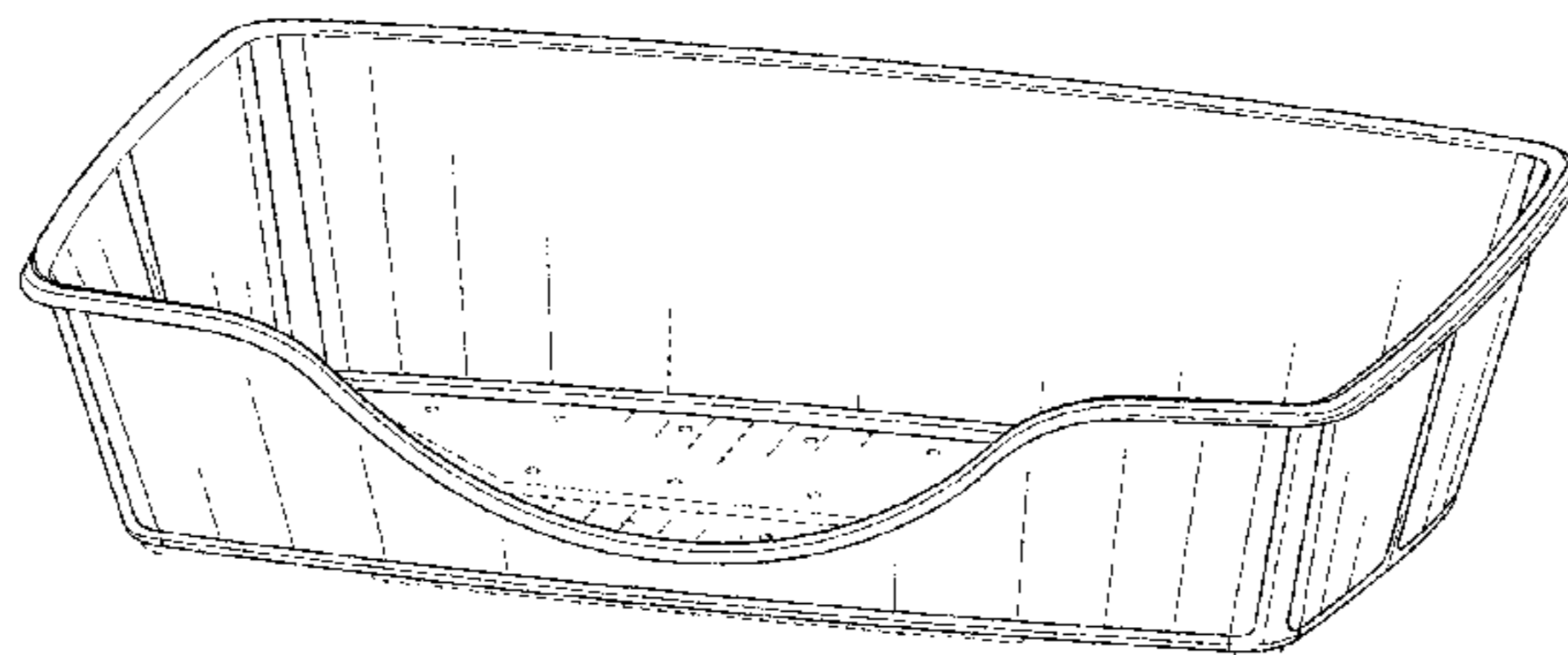
The ornamental design for a dog basket, as shown and described.

DESCRIPTION

FIG. 1 is a front perspective view of the dog basket of my new design;
FIG. 2 is a front elevation view;
FIG. 3 is a rear elevation view;
FIG. 4 is a left side elevation view thereof;
FIG. 5 is a right side elevation view thereof;
FIG. 6 is a bottom plan view; and,
FIG. 7 is a top plan view.

The broken lines illustrate portions of the dog basket that form no part of the claimed design.

1 Claim, 3 Drawing Sheets



(56)

References Cited

U.S. PATENT DOCUMENTS

2011/0083262 A1* 4/2011 Barba A47K 3/06
4/585
2013/0047925 A1* 2/2013 Williams A01K 1/0353
119/28.5
2015/0101542 A1* 4/2015 Renforth A01K 1/0254
119/497
2016/0374310 A1* 12/2016 Friscia A01K 1/0353
119/28.5

OTHER PUBLICATIONS

Cava Plastics Gallery,[online], [site visited Mar. 17, 2016]. Available from Internet, <URL:<http://www.cavaplastics.dk/galleri.aspx>>.*

* cited by examiner

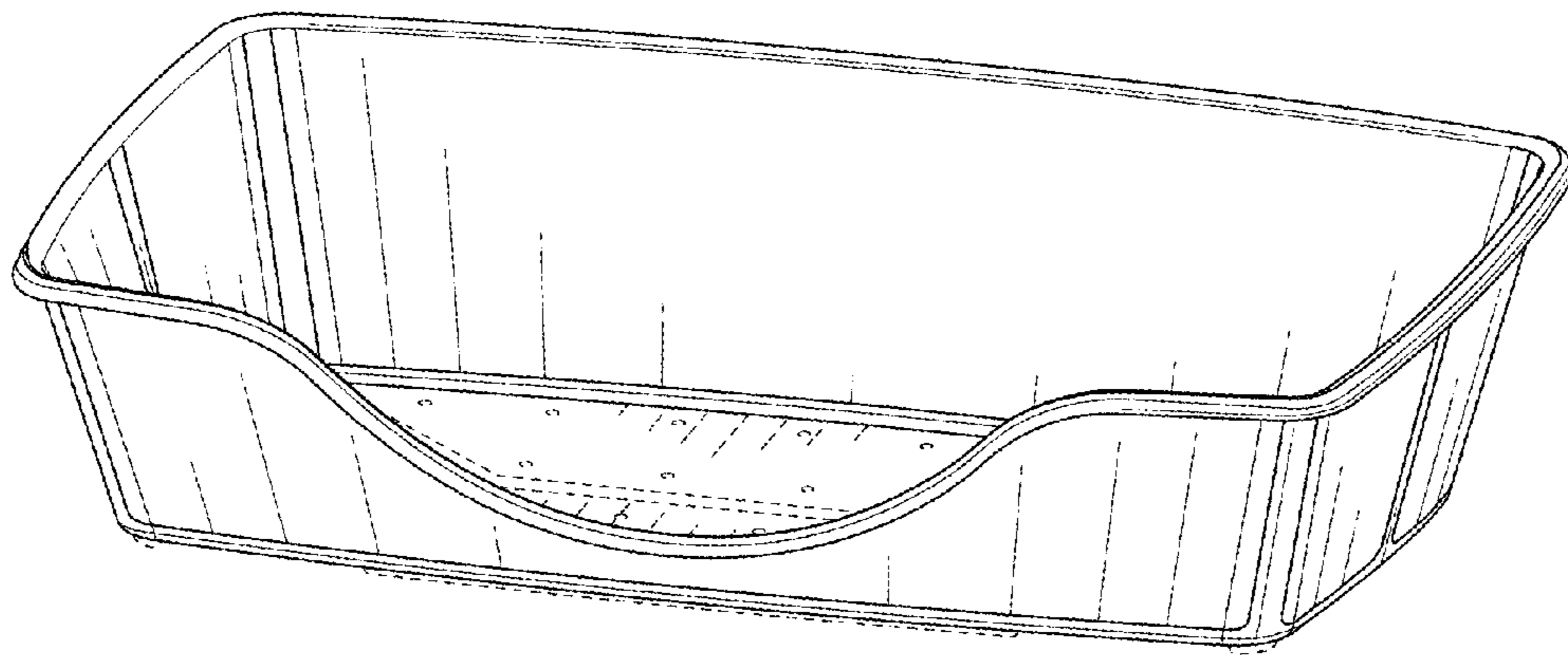


FIG. 1

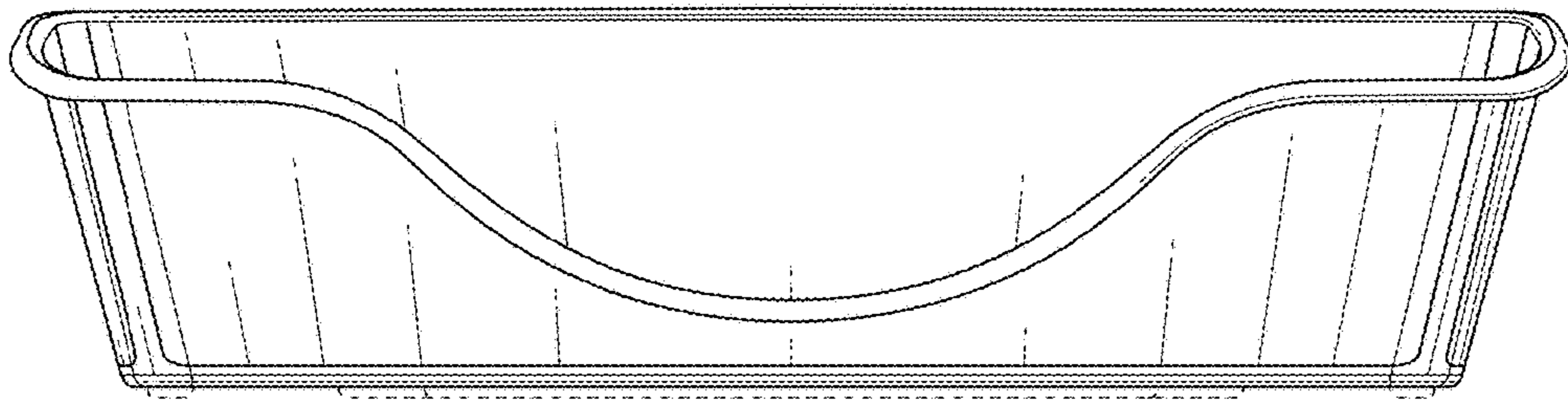


FIG. 2

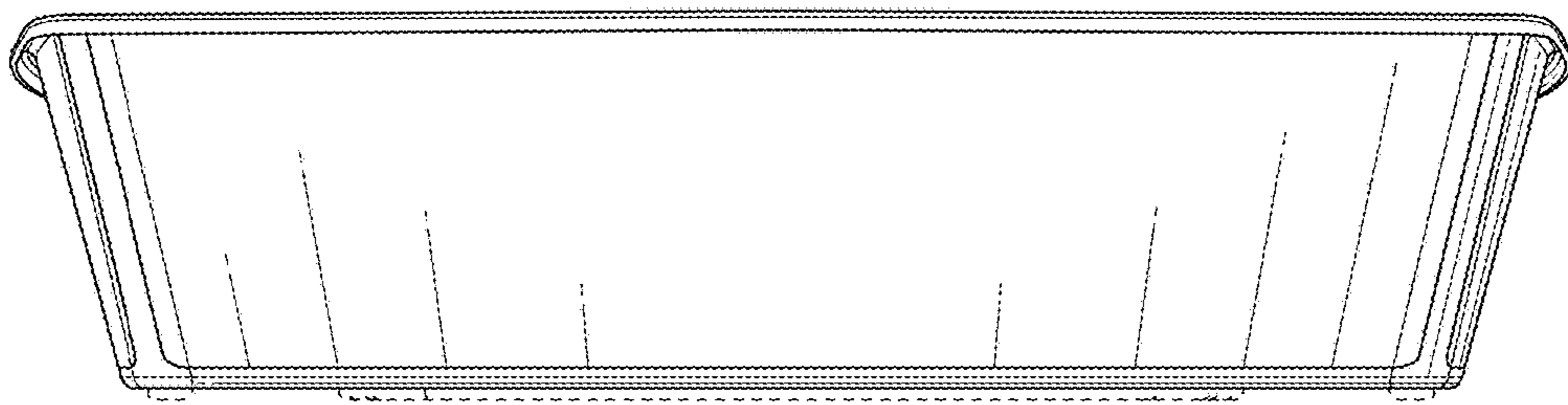


FIG. 3

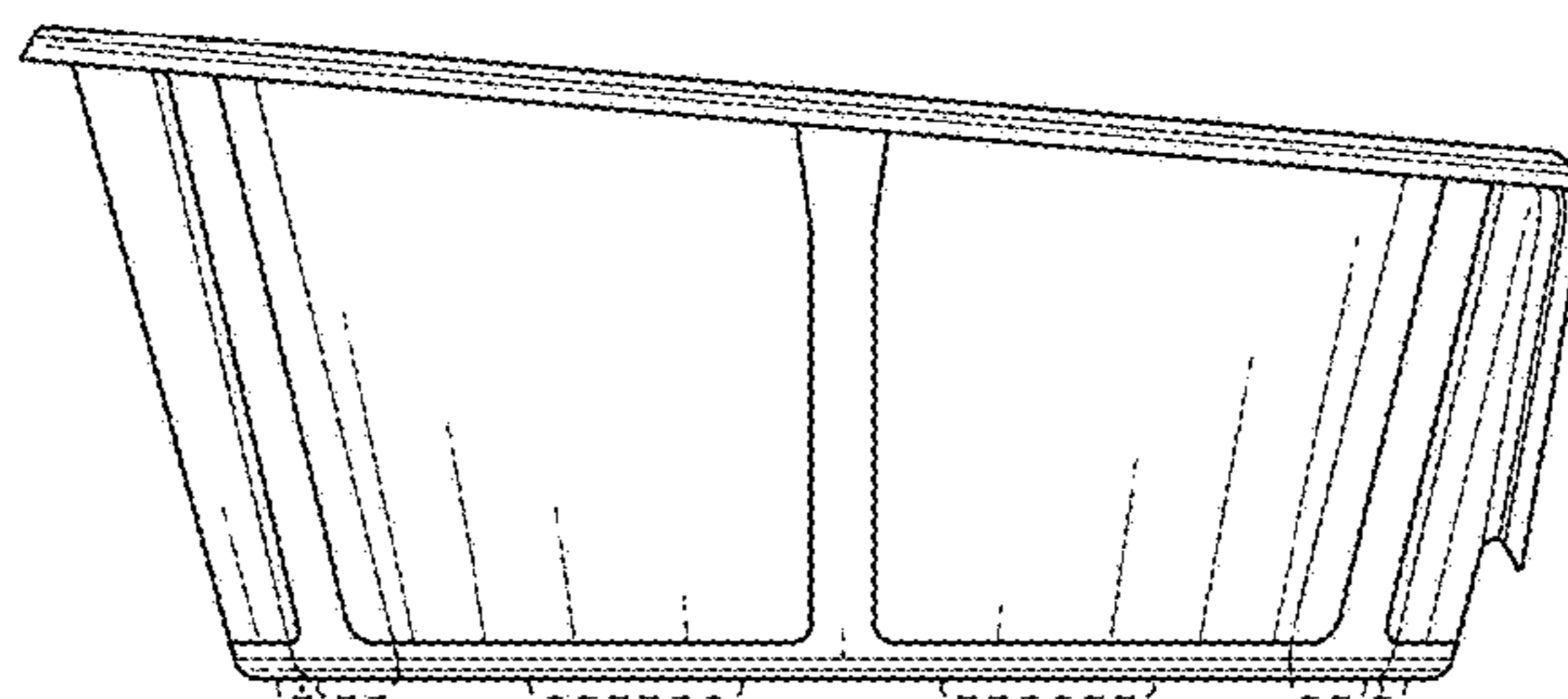


FIG. 4

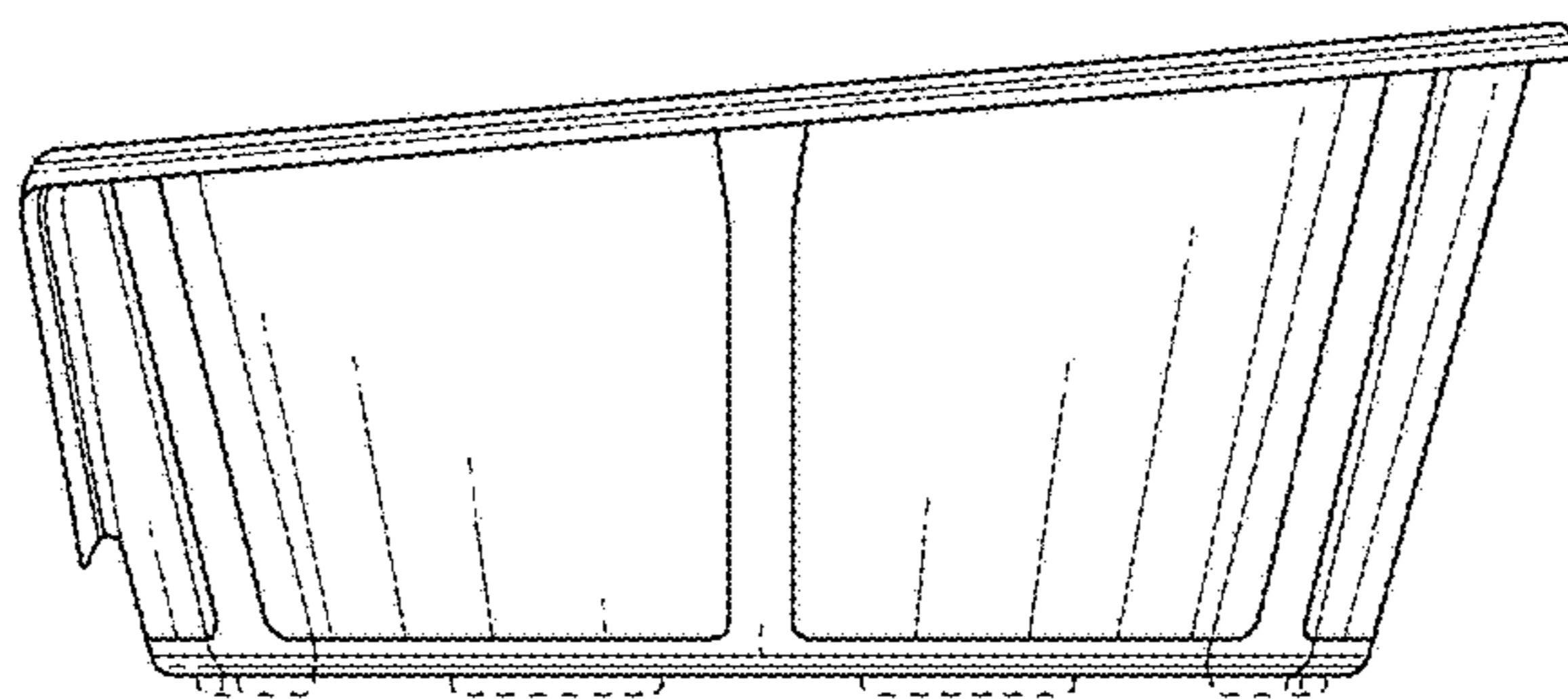


FIG. 5

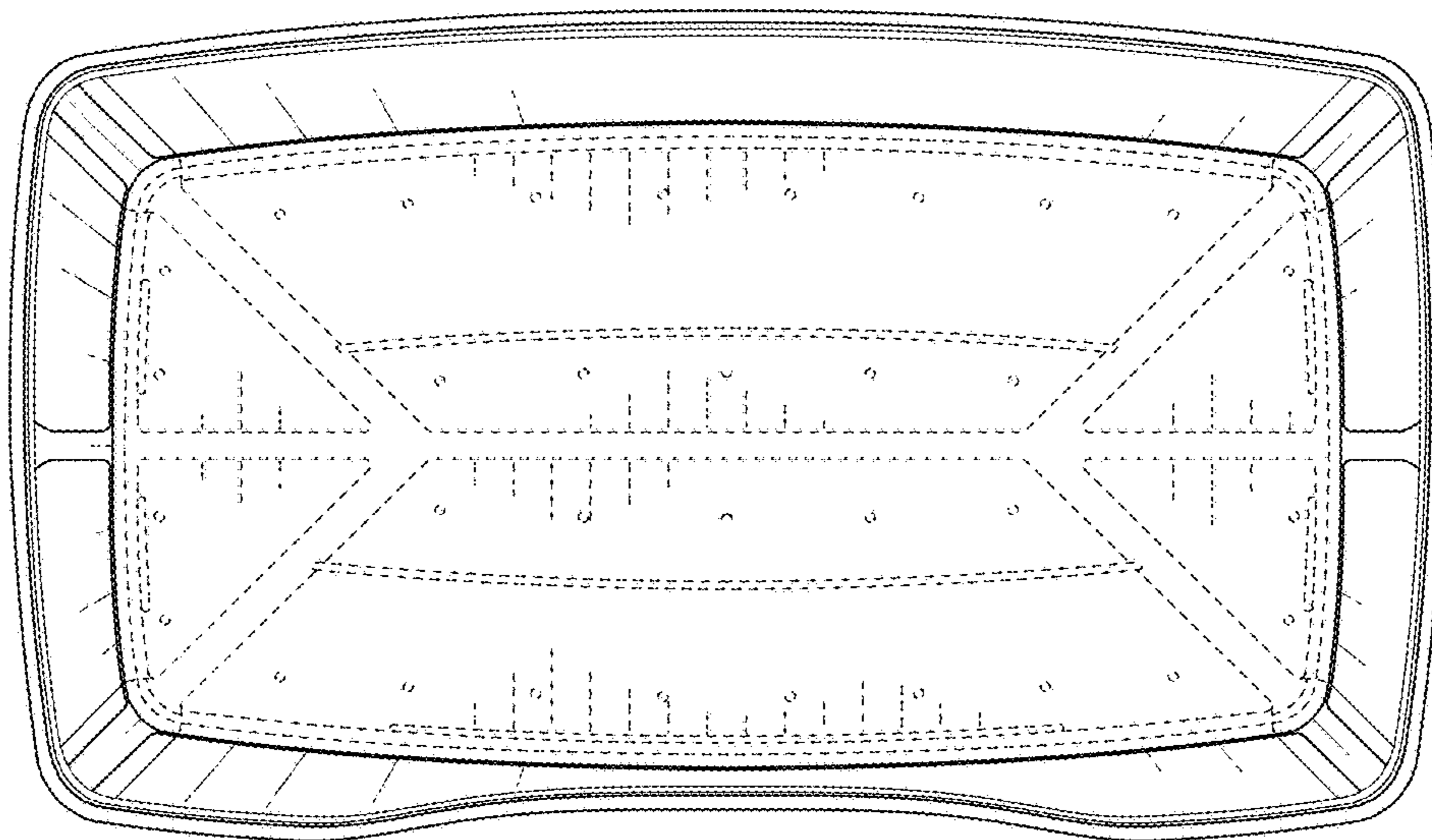


FIG. 6

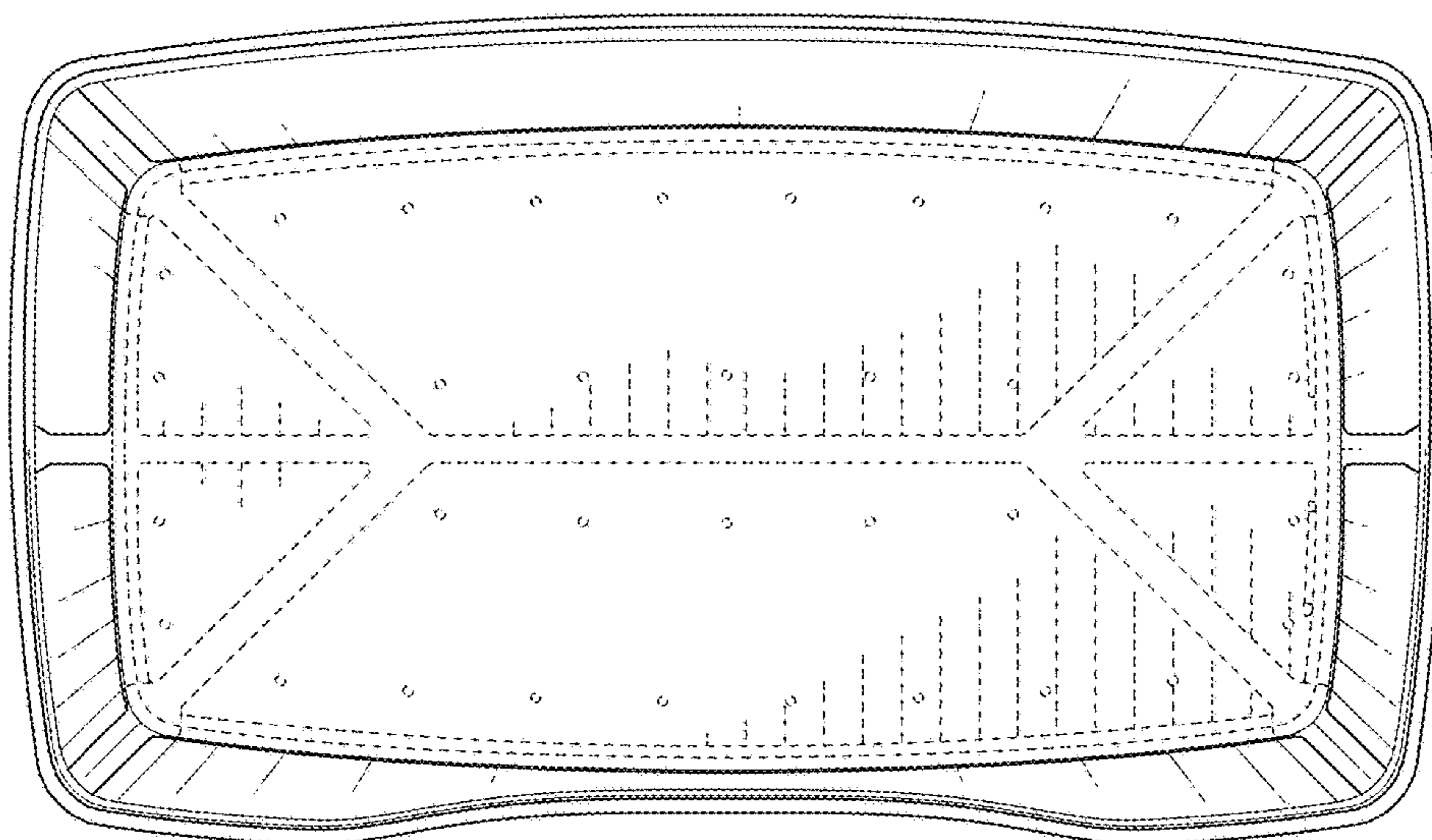


FIG. 7