



US00D855254S

(12) **United States Design Patent** (10) **Patent No.:** **US D855,254 S**
Roby et al. (45) **Date of Patent:** **** Jul. 30, 2019**

- (54) **SHOULDER GUARD PLATE**
- (71) Applicant: **Sirchle Acquisition Company, LLC.,**
Youngsville, NC (US)
- (72) Inventors: **John Roby, Youngsville, NC (US);**
Jason Emerline, Raleigh, NC (US);
Andrew Mariella, Raleigh, NC (US);
Thomas Africa, Lebanon, OH (US);
Kevin Vititoe, Westerville, OH (US);
Sherry Jones, Pataskala, OH (US)
- (73) Assignee: **SIRCHIE ACQUISITION**
COMPANY, LLC., Youngsville, NC
(US)
- (**) Term: **15 Years**
- (21) Appl. No.: **29/649,656**
- (22) Filed: **May 31, 2018**

Related U.S. Application Data

- (63) Continuation of application No. 29/599,644, filed on
Apr. 5, 2017.
 - (51) **LOC (11) Cl.** **29-02**
 - (52) **U.S. Cl.**
USPC **D29/101.2**
 - (58) **Field of Classification Search**
USPC D29/101.1, 101.3, 101.4, 101.5, 100,
D29/120.1, 121.1; 428/51, 131, 196;
D5/47, 54, 55, 56, 57; D6/582; D32/40;
442/327, 394; 451/523, 533, 537, 539;
D8/90
CPC A41D 13/015; A41D 13/0543; A63B
71/1225
- See application file for complete search history.

- (56) **References Cited**
- U.S. PATENT DOCUMENTS

D278,280	S	*	4/1985	Gregory	D29/101.1
4,608,716	A		9/1986	Brumfield	
D600,860	S		9/2009	Durham	
8,082,602	B2		12/2011	Crelinsten et al.	
2004/0216213	A1		11/2004	Paciorkowski	
2007/0250977	A1		11/2007	Brown et al.	
2008/0134419	A1		6/2008	Kalaam et al.	
2009/0025126	A1		1/2009	Crossman et al.	
2011/0231985	A1		9/2011	Bishop	

OTHER PUBLICATIONS

International Search Report dated Jun. 27, 2017 issued in related PCT/US2017/026814.

* cited by examiner

Primary Examiner — Randall H Gholson
(74) *Attorney, Agent, or Firm* — McGuireWoods LLP

(57) **CLAIM**

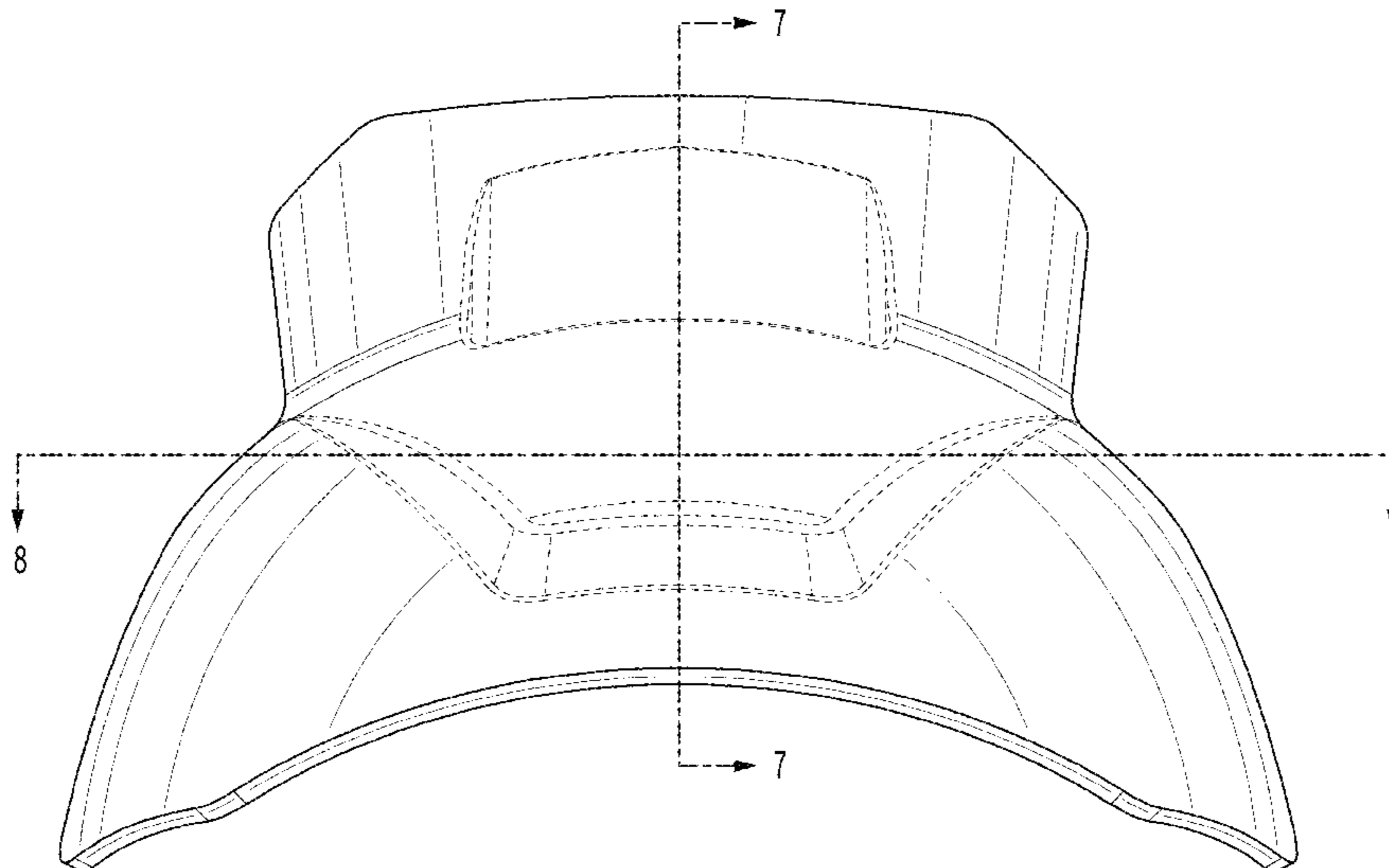
We claim the ornamental design for a shoulder guard plate, as shown and described.

DESCRIPTION

FIG. 1 is a front view of a shoulder guard plate;
FIG. 2 is a right side view of the shoulder guard plate;
FIG. 3 is a left side view of the shoulder guard plate;
FIG. 4 is a bottom view of the shoulder guard plate;
FIG. 5 is a top side view of the shoulder guard plate;
FIG. 6 is a back side view of the shoulder guard plate;
FIG. 7 is a cross-sectional view along 7-7 of the shoulder guard plate; and,
FIG. 8 is a cross-sectional view along 8-8 of the shoulder guard plate.

Any subject matter shown in dashed lines forms no part of the claimed invention.

1 Claim, 8 Drawing Sheets



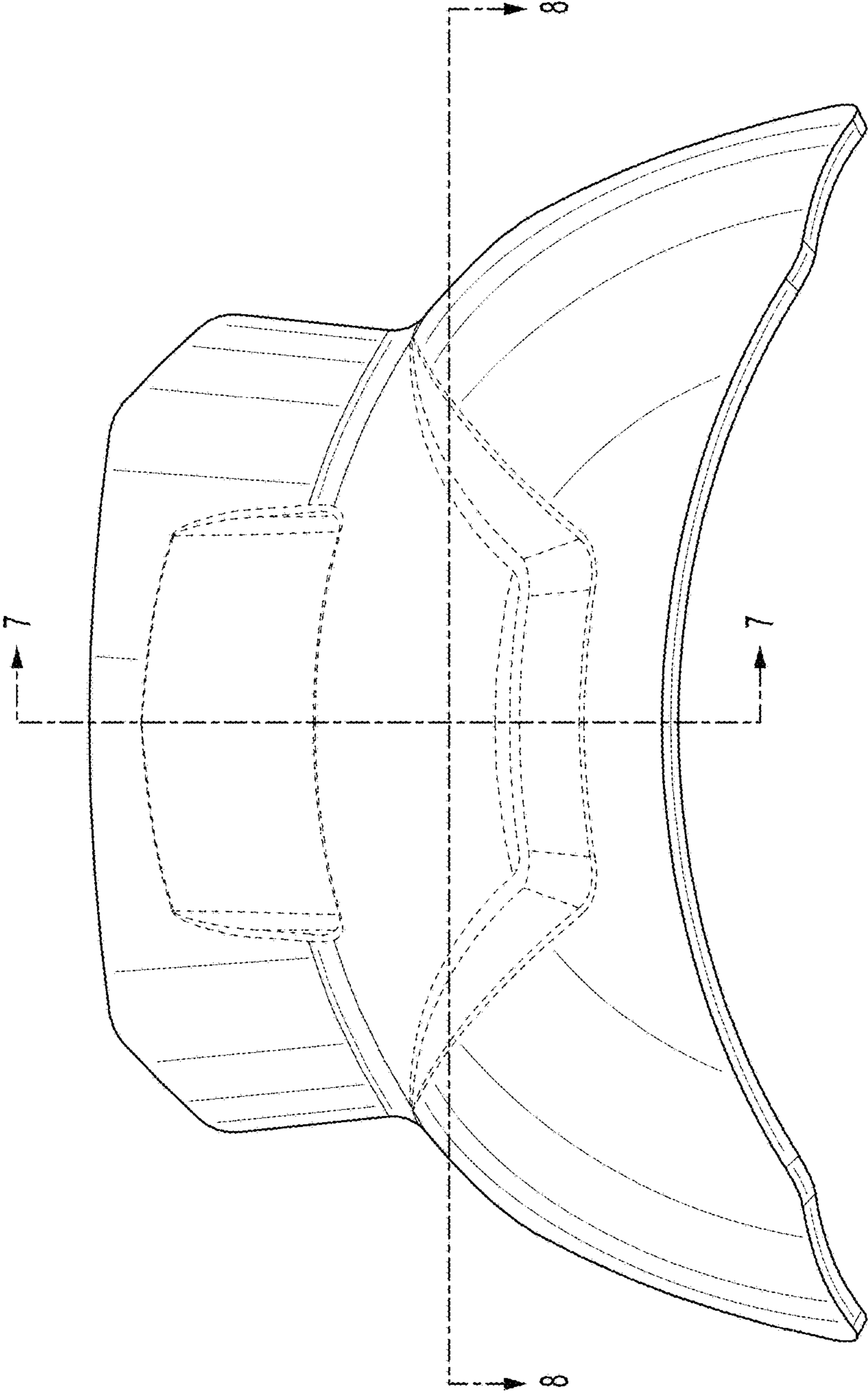


FIG. 1

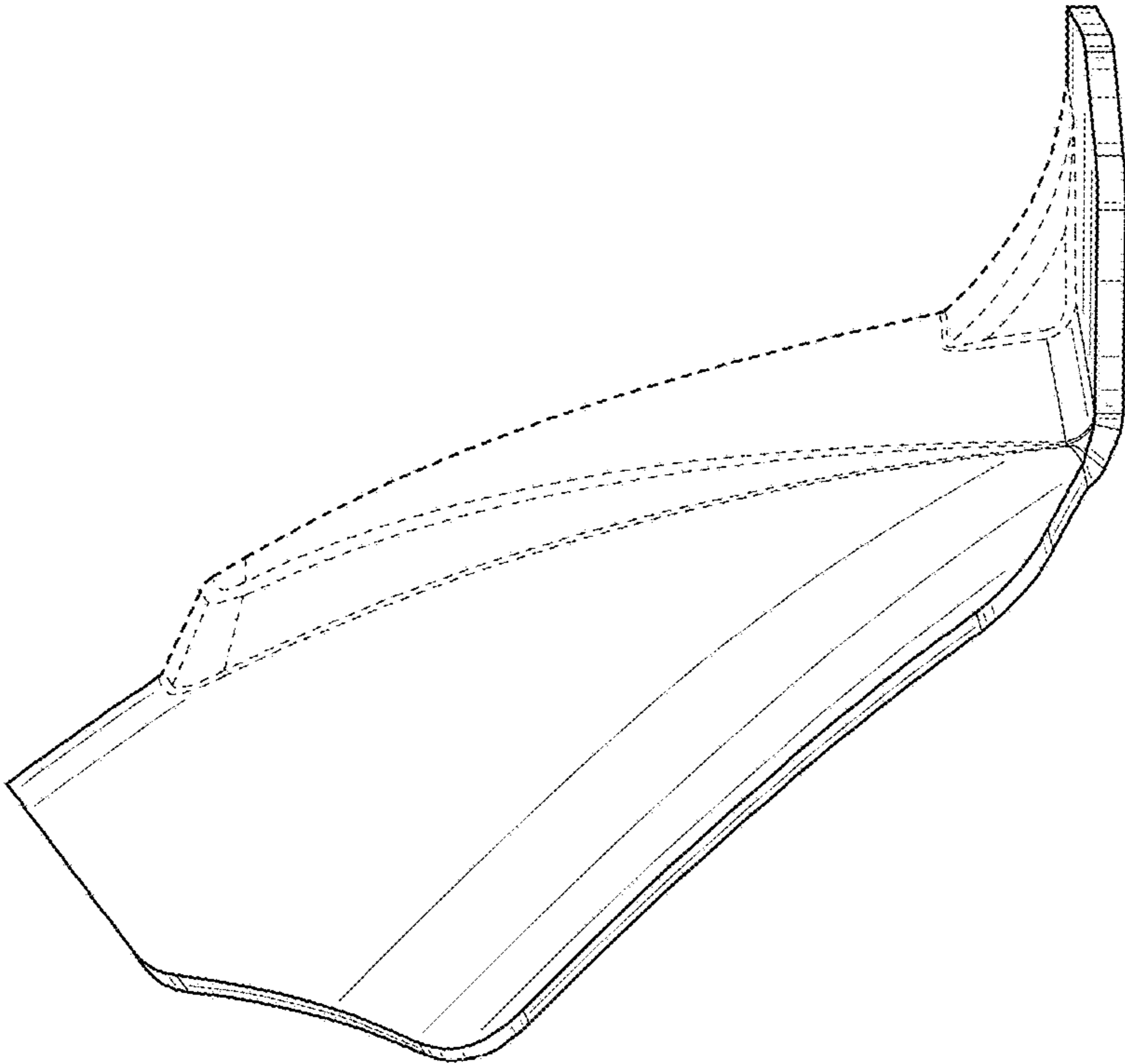


FIG. 2

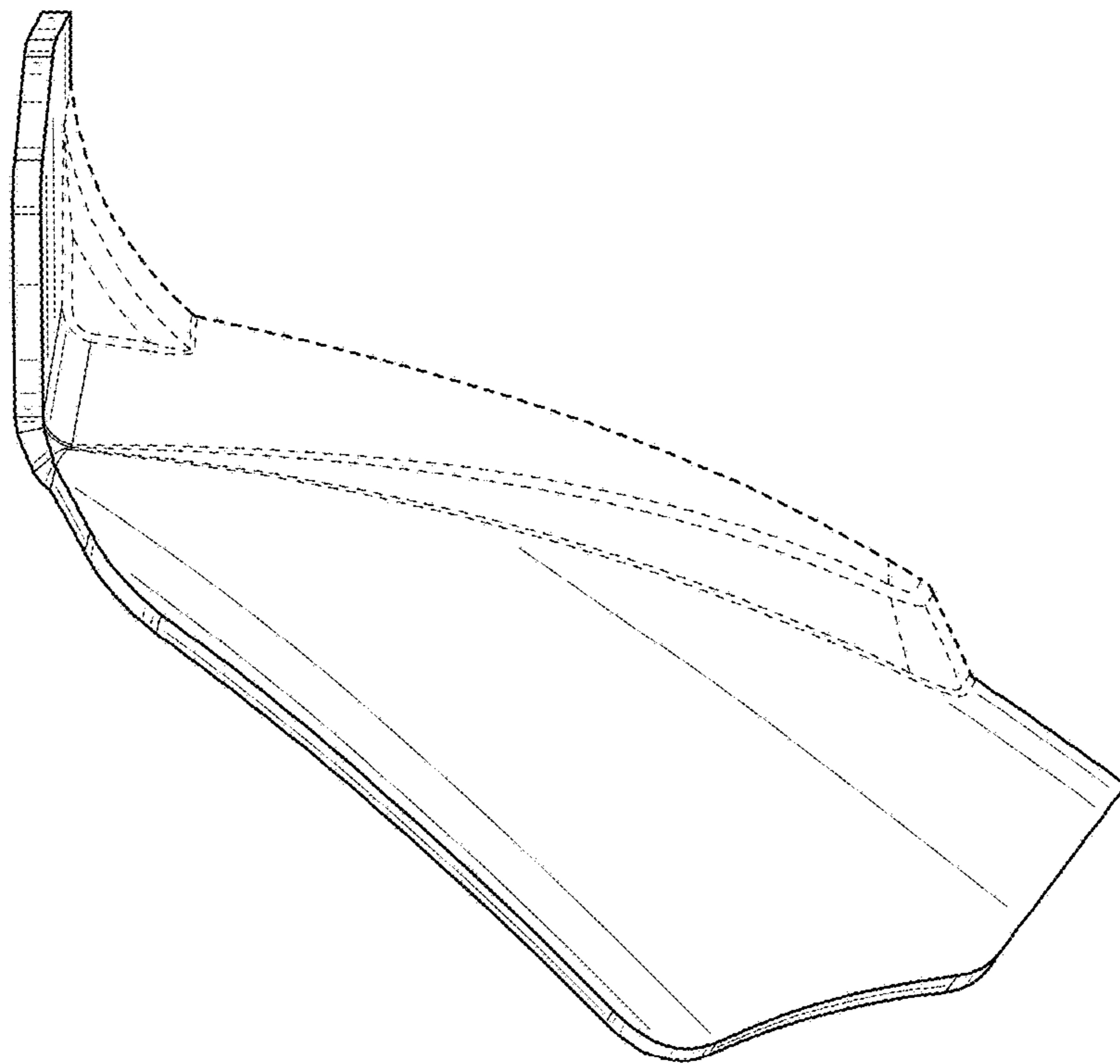


FIG. 3

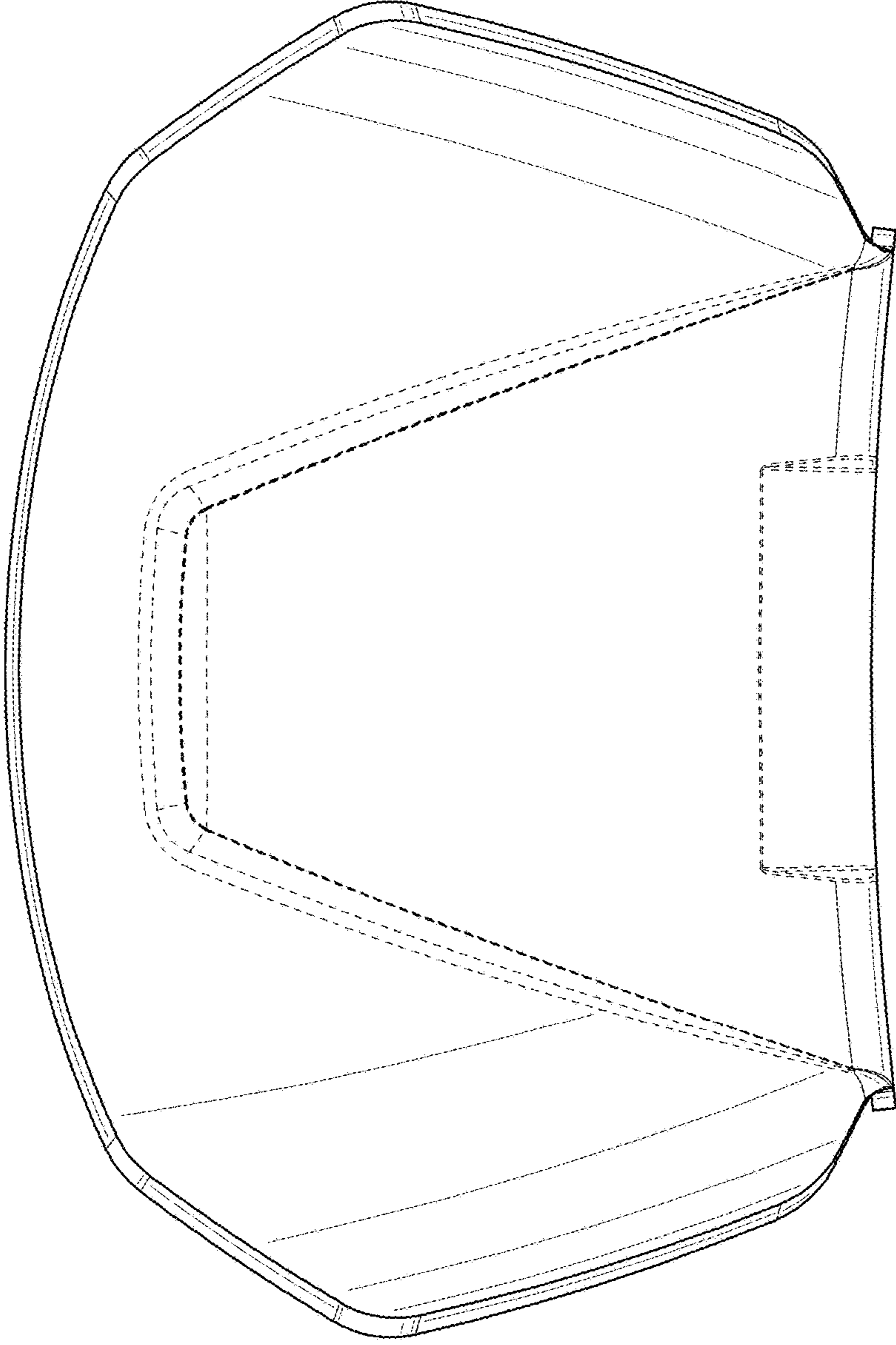


FIG. 4

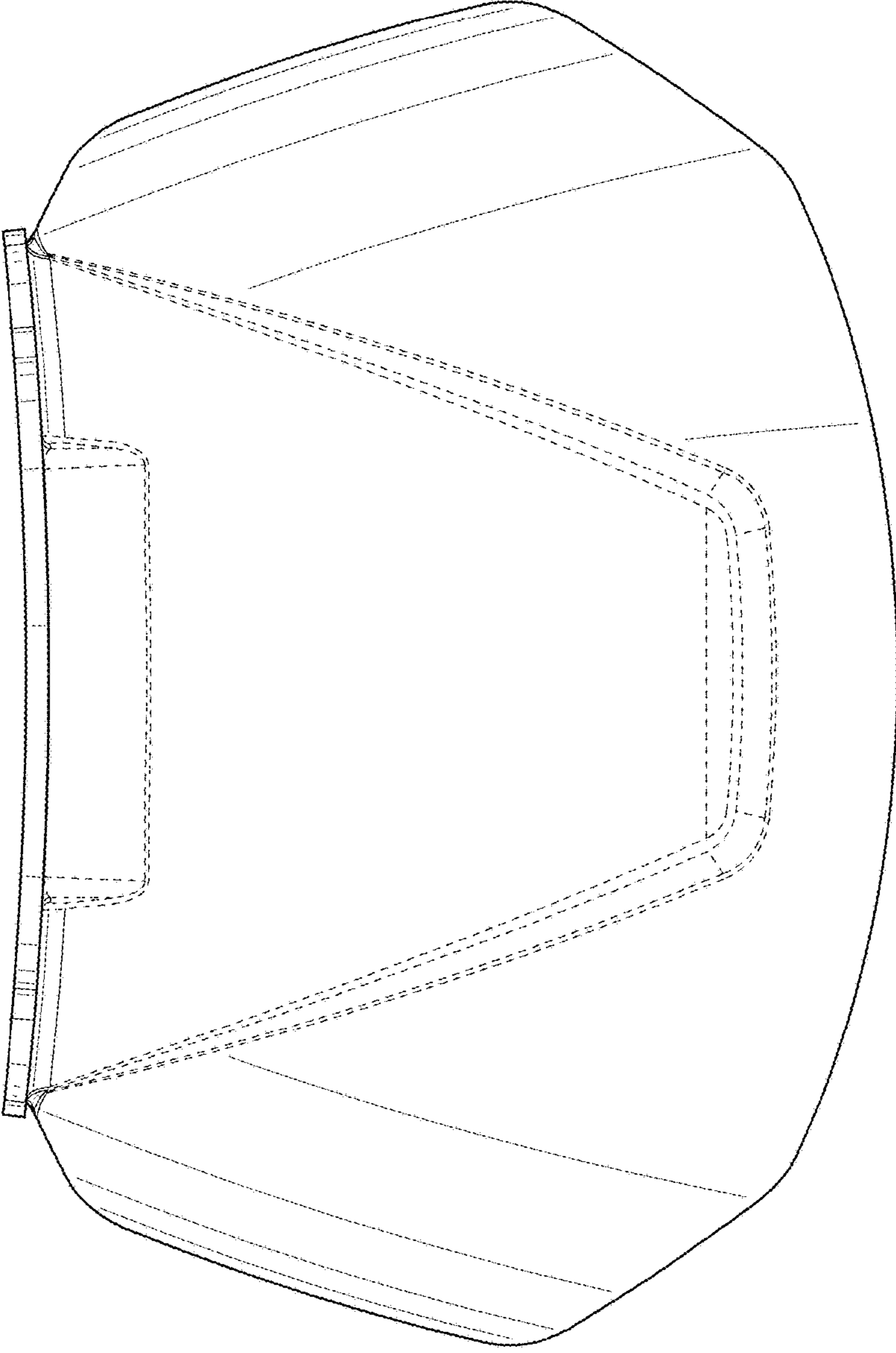


FIG. 5

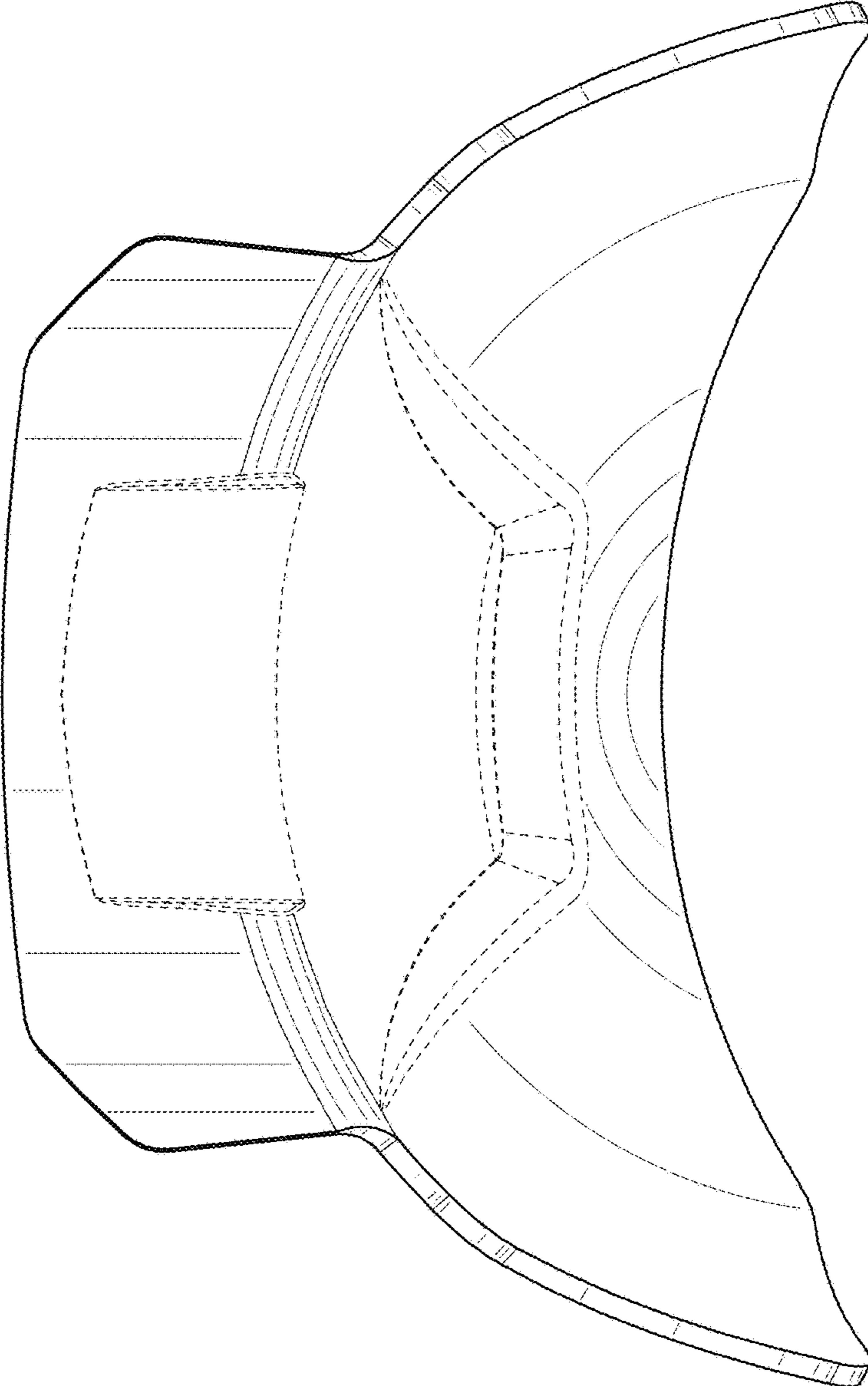


FIG. 6

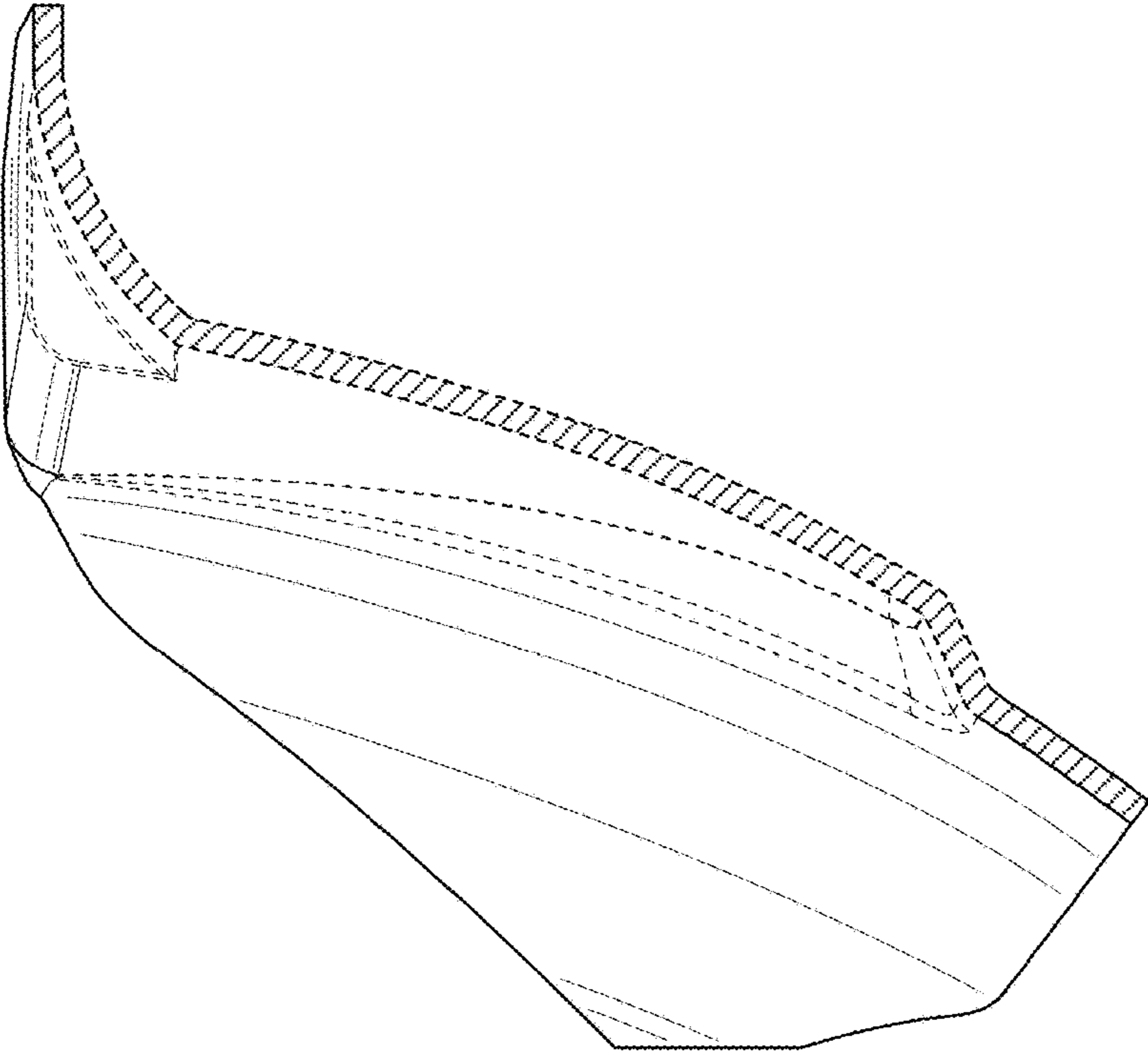


FIG. 7

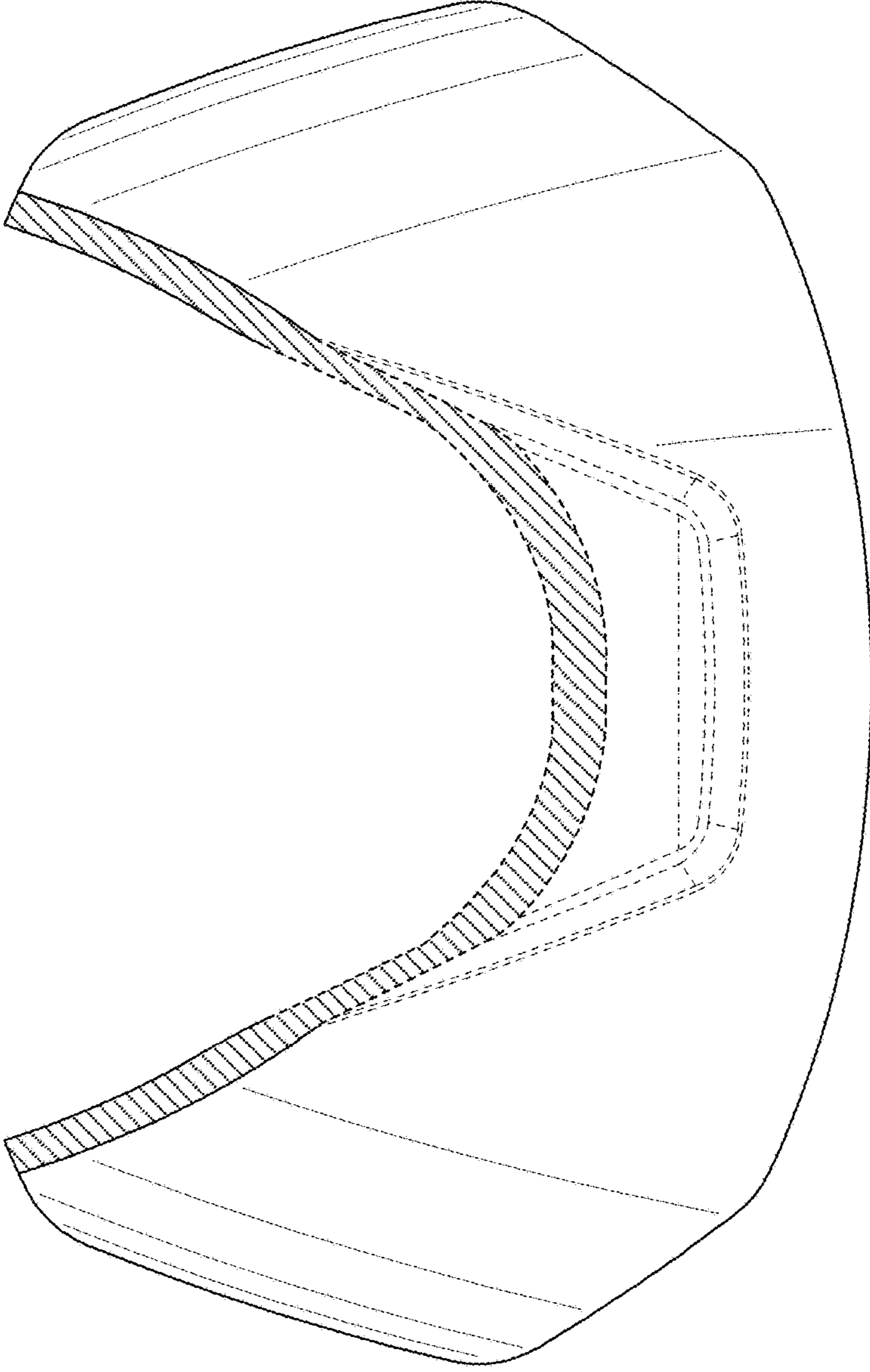


FIG. 8