



US00D855250S

(12) **United States Design Patent** (10) **Patent No.:** **US D855,250 S**
Qiu (45) **Date of Patent:** **** Jul. 30, 2019**

(54) **ELECTRONIC CIGARETTE**

(71) Applicant: **Changzhou Patent Electronic Technology Co., LTD.**, Changzhou, Jiangsu (CN)

(72) Inventor: **Weihua Qiu**, Jiangsu (CN)

(73) Assignee: **Joyetech Europe Holding GmbH**, Zug (CH)

(*) Notice: This patent is subject to a terminal disclaimer.

(**) Term: **15 Years**

(21) Appl. No.: **29/628,341**

(22) Filed: **Dec. 4, 2017**

(30) **Foreign Application Priority Data**

Jun. 15, 2017 (CN) 2017 3 0244814

(51) **LOC (11) Cl.** **27-07**

(52) **U.S. Cl.**
USPC **D27/162**

(58) **Field of Classification Search**
USPC D27/100, 101, 162, 163-194;
D19/115-123, 161-169; D24/110;
D23/366

(Continued)

(56) **References Cited**

U.S. PATENT DOCUMENTS

D368,552 S * 4/1996 Adams D27/194
D422,113 S * 3/2000 Higgins D27/186

(Continued)

Primary Examiner — Marissa J Cash

(74) *Attorney, Agent, or Firm* — Novick, Kim & Lee, PLLC; Allen Xue; Hyun Woo Shin

(57) **CLAIM**

I claim the ornamental design for an electronic cigarette, as shown and described.

DESCRIPTION

FIG. 1 is a top, front, left side perspective view of a first embodiment of an electronic cigarette, showing my new design;

FIG. 2 is a bottom, front, right side perspective view thereof;

FIG. 3 is a front elevational view thereof;

FIG. 4 is a rear elevational view thereof;

FIG. 5 is a left side elevational view thereof;

FIG. 6 is a right side elevational view thereof;

FIG. 7 is a top plan view thereof;

FIG. 8 is a bottom plan view thereof;

FIG. 9 is a top, front, left side perspective view of a second embodiment of the electronic cigarette;

FIG. 10 is a bottom, front, right side perspective view thereof;

FIG. 11 is a front elevational view thereof;

FIG. 12 is a rear elevational view thereof;

FIG. 13 is a left side elevational view thereof;

FIG. 14 is a right side elevational view thereof;

FIG. 15 is a top plan view thereof;

FIG. 16 is a bottom plan view thereof;

FIG. 17 is a top, front, left side perspective view of a third embodiment of the electronic cigarette;

FIG. 18 is a bottom, front, right side perspective view thereof;

FIG. 19 is a front elevational view thereof;

FIG. 20 is a rear elevational view thereof;

FIG. 21 is a left side elevational view thereof;

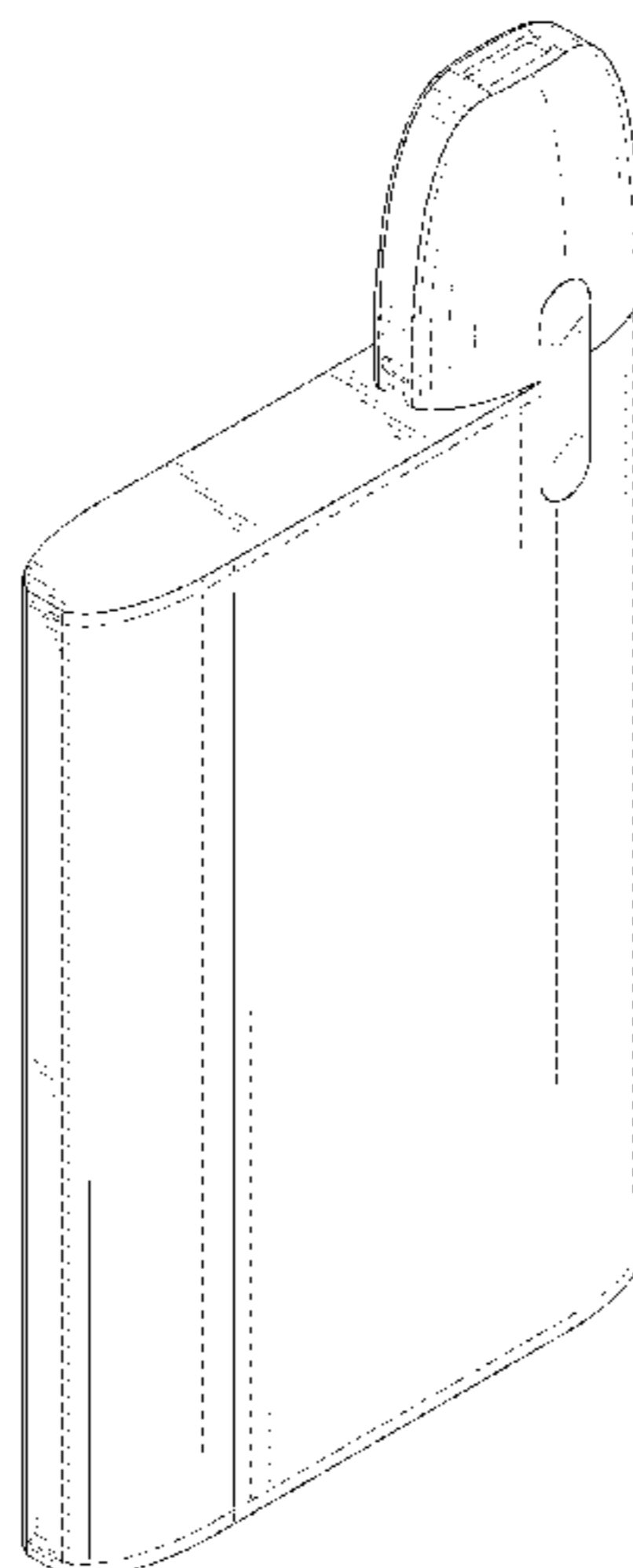
FIG. 22 is a right side elevational view thereof;

FIG. 23 is a top plan view thereof; and,

FIG. 24 is a bottom plan view thereof.

The broken lines in the drawings show portions of the electronic cigarette which form no part of the claimed design.

1 Claim, 24 Drawing Sheets



- (58) **Field of Classification Search**
 CPC A24F 47/008; A24F 47/002; A24F 7/02;
 A61M 15/06
 See application file for complete search history.

(56) **References Cited**

U.S. PATENT DOCUMENTS

D424,236 S * 5/2000 Reed D27/163
 D433,532 S * 11/2000 Higgins D27/186
 D547,859 S * 7/2007 Choi D24/113
 D577,150 S * 9/2008 Bryman D27/163
 D579,544 S * 10/2008 Birath D24/110
 D579,545 S * 10/2008 Birath D24/110
 D579,547 S * 10/2008 Birath D24/110
 D629,154 S * 12/2010 Sung D27/154
 D649,708 S * 11/2011 Oneil D27/163
 D654,160 S * 2/2012 Yomtov D23/360
 D728,855 S * 5/2015 Liu D27/163
 D729,444 S * 5/2015 Leidel D27/163
 D729,445 S * 5/2015 Leidel D27/163
 D730,572 S * 5/2015 Leidel D27/163
 D731,114 S * 6/2015 Leidel D27/163
 D743,099 S * 11/2015 Oglesby D27/101
 D748,325 S * 1/2016 Leidel D27/163
 D753,336 S * 4/2016 Chen D27/101
 9,301,545 B2 * 4/2016 Li A24F 15/18
 D758,004 S * 5/2016 Freshwater D27/163
 D758,655 S * 6/2016 Freshwater D27/163
 D758,656 S * 6/2016 Freshwater D27/163
 D761,999 S * 7/2016 Liu D27/101
 D769,520 S * 10/2016 Hua D27/167
 D770,678 S * 11/2016 Shin D27/163
 D771,867 S * 11/2016 Leidel D27/163
 D772,477 S * 11/2016 Shin D27/163
 D773,114 S * 11/2016 Leidel D27/163
 D773,116 S * 11/2016 Liu D27/167
 D775,414 S * 12/2016 Ampolini D13/108
 D775,762 S * 1/2017 Chen D27/101
 D780,373 S * 2/2017 Bennett D27/186
 D788,362 S * 5/2017 Qiu D27/101
 D788,364 S * 5/2017 Chen D27/163
 D790,766 S * 6/2017 Li D27/163
 D792,020 S * 7/2017 Mendoza D27/101
 D792,021 S * 7/2017 Beer D27/101
 D799,111 S * 10/2017 Qiu D27/101
 D799,743 S * 10/2017 Qiu D27/101

D799,746 S * 10/2017 Leidel D27/163
 D800,377 S * 10/2017 Liu D27/101
 D801,507 S * 10/2017 Kelnhofer D23/366
 D802,834 S * 11/2017 Mathias D27/163
 D805,685 S * 12/2017 Lee D27/101
 D807,286 S * 1/2018 Qiu D13/103
 D807,576 S * 1/2018 Liu D27/163
 D807,577 S * 1/2018 Ward D27/167
 D807,818 S * 1/2018 Mathias D13/107
 D808,071 S * 1/2018 Folkerts D27/101
 D808,073 S * 1/2018 Leidel D27/162
 D808,792 S * 1/2018 Jaggi D9/420
 D809,191 S * 1/2018 Li D27/101
 D809,192 S * 1/2018 Li D27/101
 D814,693 S * 4/2018 Qiu D27/101
 D815,347 S * 4/2018 Jones D27/194
 9,961,940 B2 * 5/2018 Anderson, Jr. A24F 47/008
 9,968,136 B1 * 5/2018 Bell A24F 47/008
 D819,880 S * 6/2018 Qiu D27/101
 D819,882 S * 6/2018 Qiu D27/101
 D821,639 S * 6/2018 Dai D27/162
 D821,640 S * 6/2018 Qiu D27/162
 D828,621 S * 9/2018 Qiu D27/162
 D829,371 S * 9/2018 Durand D27/101
 D829,980 S * 10/2018 Qiu D27/162
 D829,983 S * 10/2018 Wang D27/167
 D832,499 S * 10/2018 Qiu D27/162
 D832,500 S * 10/2018 Qiu D27/162
 2017/0006918 A1 * 1/2017 Chen A24F 47/008
 2017/0208863 A1 * 7/2017 Davis A24F 47/008
 2017/0208864 A1 * 7/2017 Anderson, Jr. A24F 47/008
 2017/0245550 A1 * 8/2017 Freeland A24F 47/008
 2017/0290371 A1 * 10/2017 Davis A24F 47/008
 2017/0367406 A1 * 12/2017 Schuler A24F 47/008
 2018/0007967 A1 * 1/2018 Davis A24F 47/008
 2018/0013175 A1 * 1/2018 Liu H01M 10/425
 2018/0035715 A1 * 2/2018 Wu A24F 47/008
 2018/0070638 A1 * 3/2018 Qiu A24F 47/008
 2018/0084828 A1 * 3/2018 Phillips A24F 47/008
 2018/0084836 A1 * 3/2018 Perez B65D 85/54
 2018/0110943 A1 * 4/2018 Raichman A61M 15/06
 2018/0116281 A1 * 5/2018 Anderson, Jr. A24F 47/008
 2018/0132526 A1 * 5/2018 Davis A24F 47/008
 2018/0153219 A1 * 6/2018 Verleur A24F 47/008
 2018/0160739 A1 * 6/2018 Chen A24F 47/008
 2018/0166238 A1 * 6/2018 Chen H01H 36/02

* cited by examiner

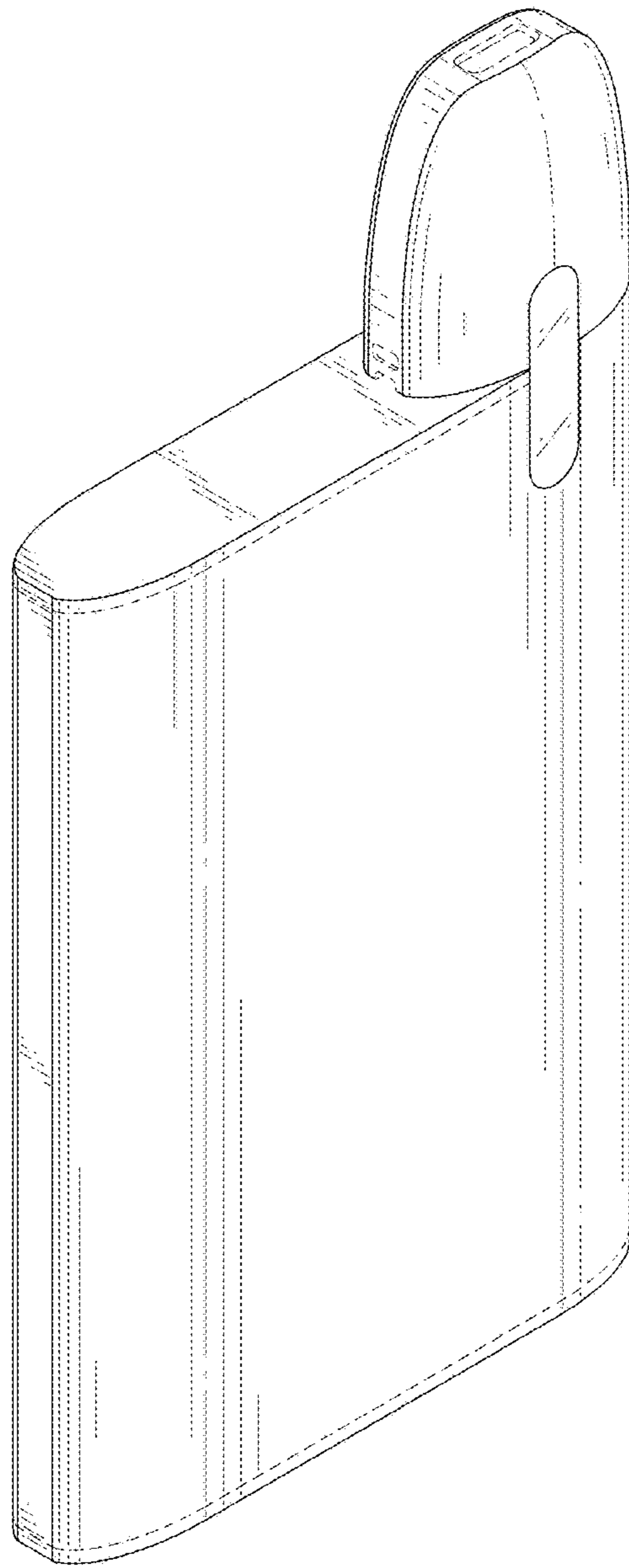


FIG. 1

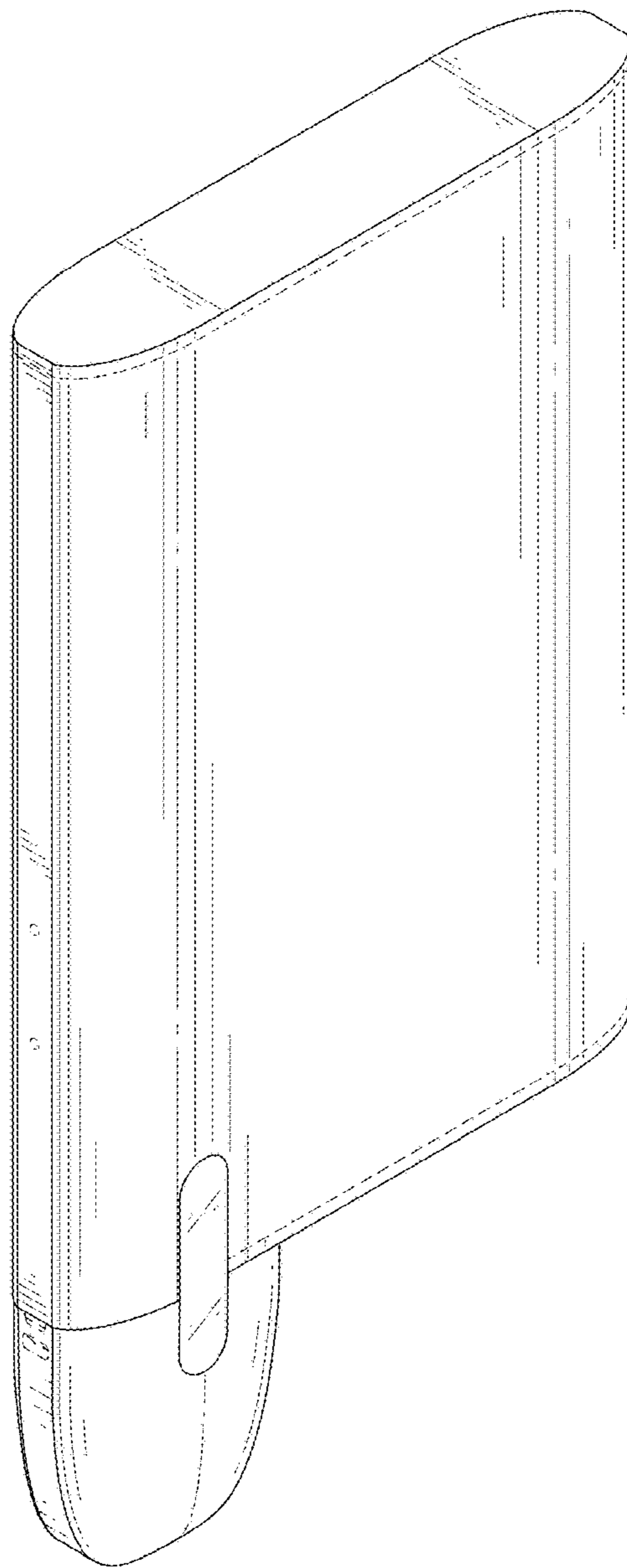


FIG. 2

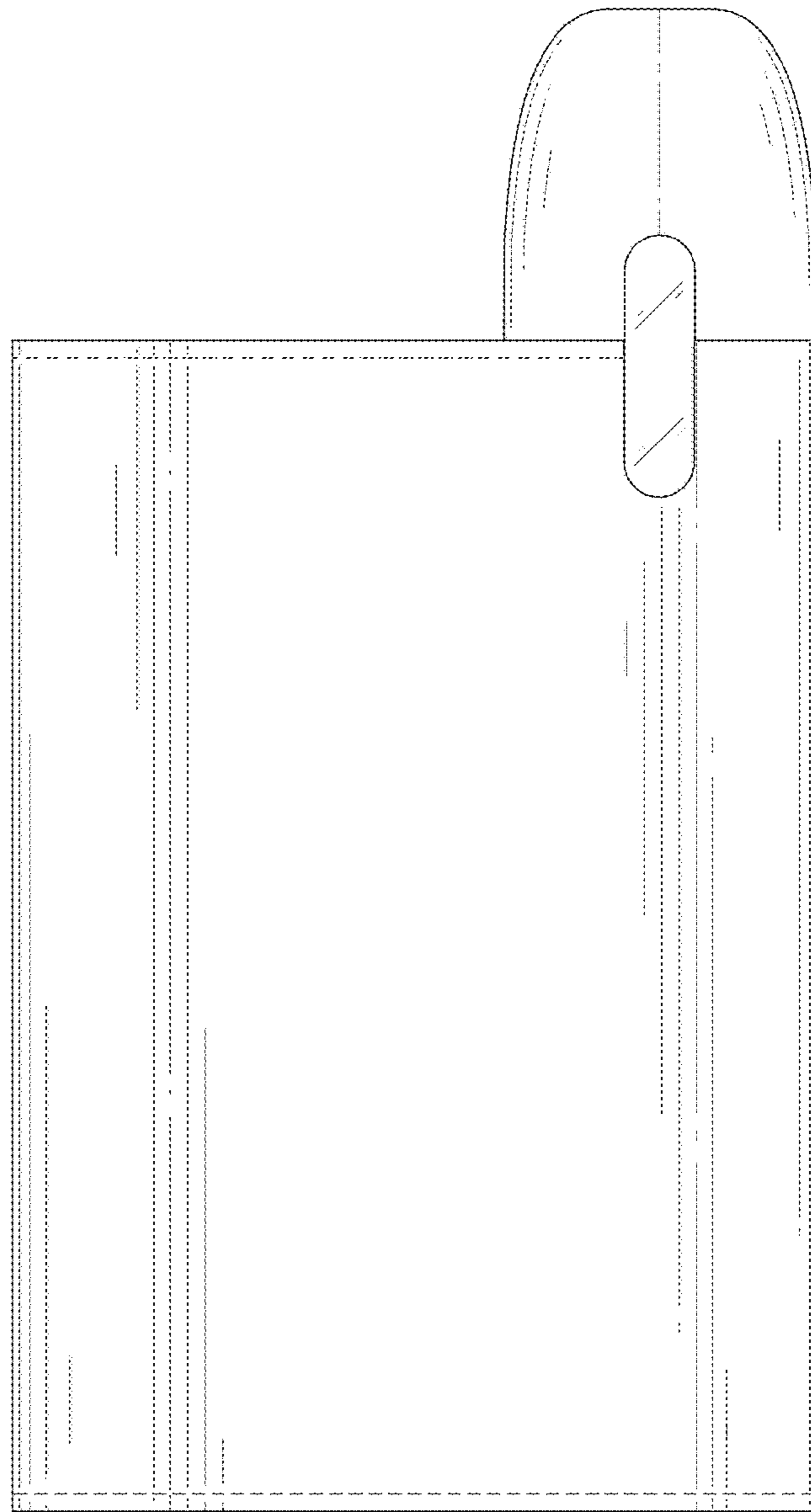


FIG. 3

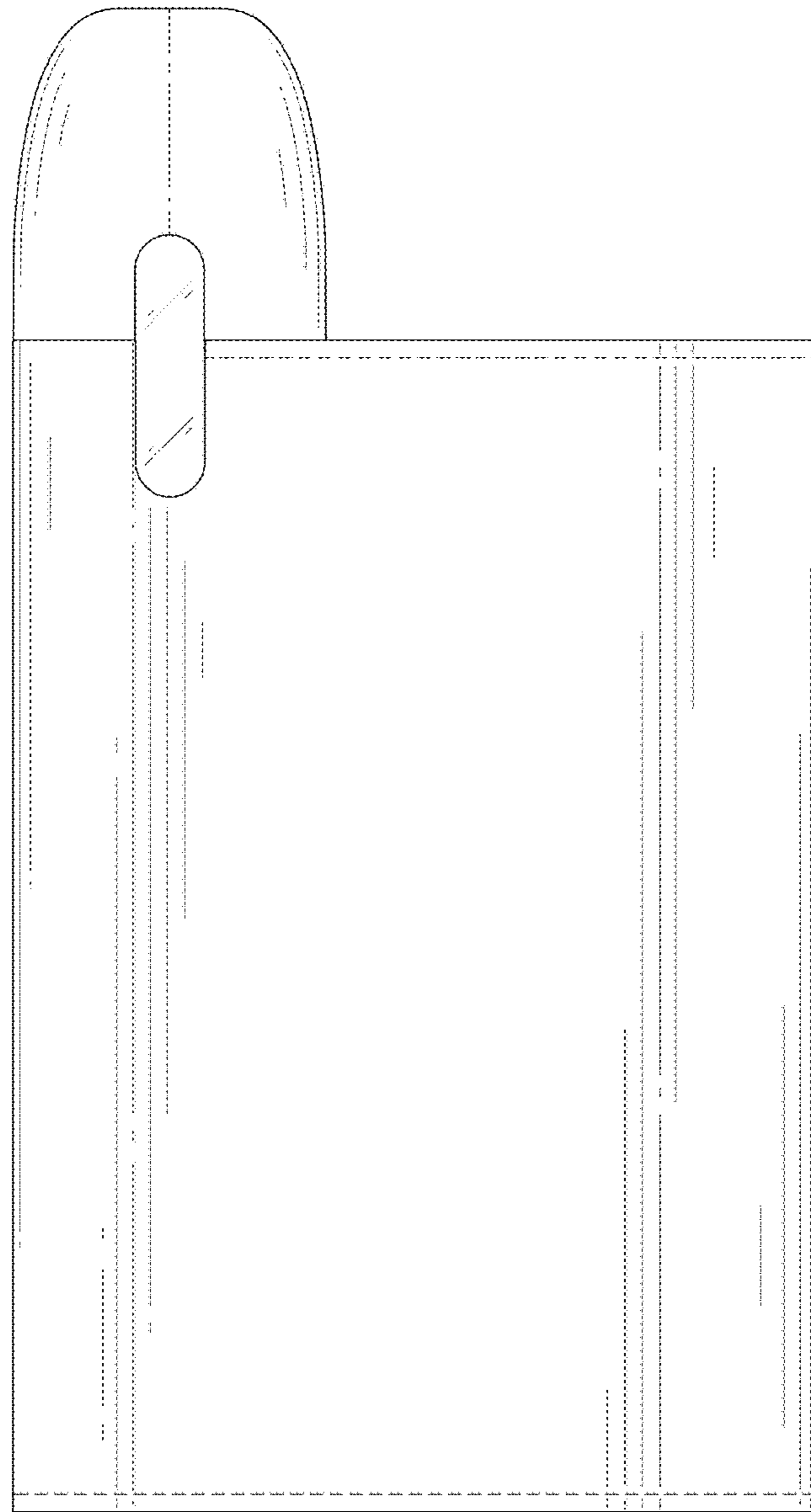


FIG. 4

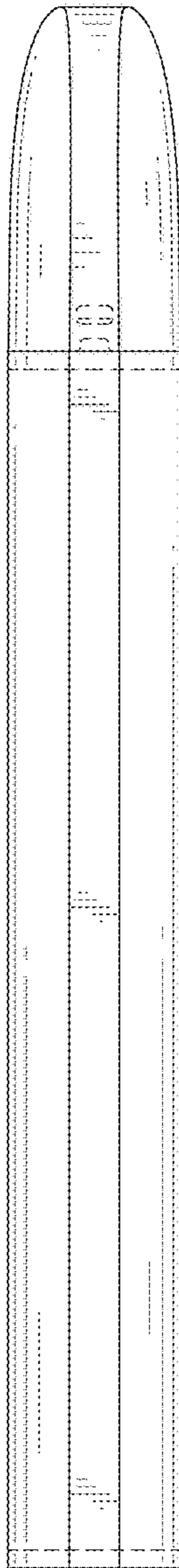


FIG. 5

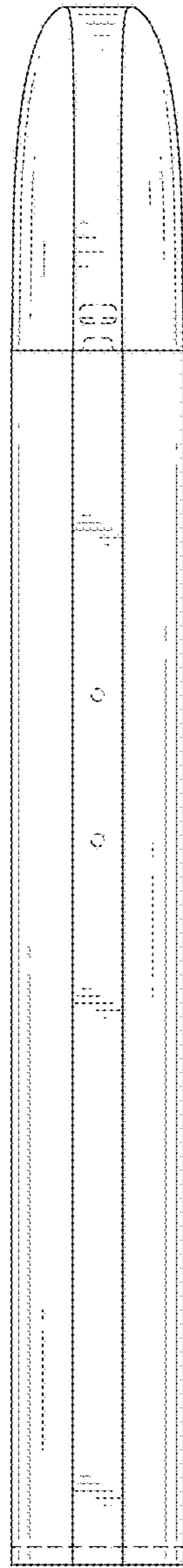


FIG. 6

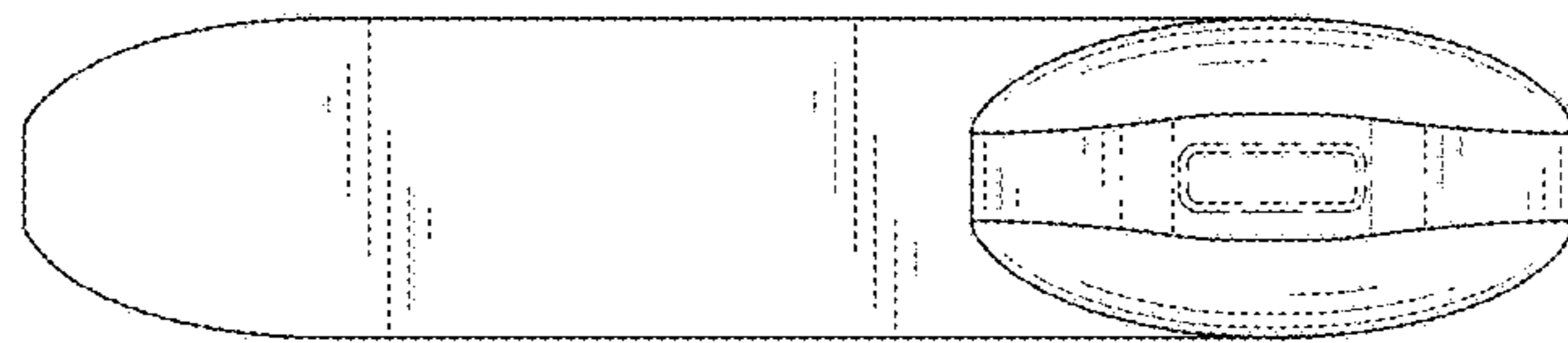


FIG. 7

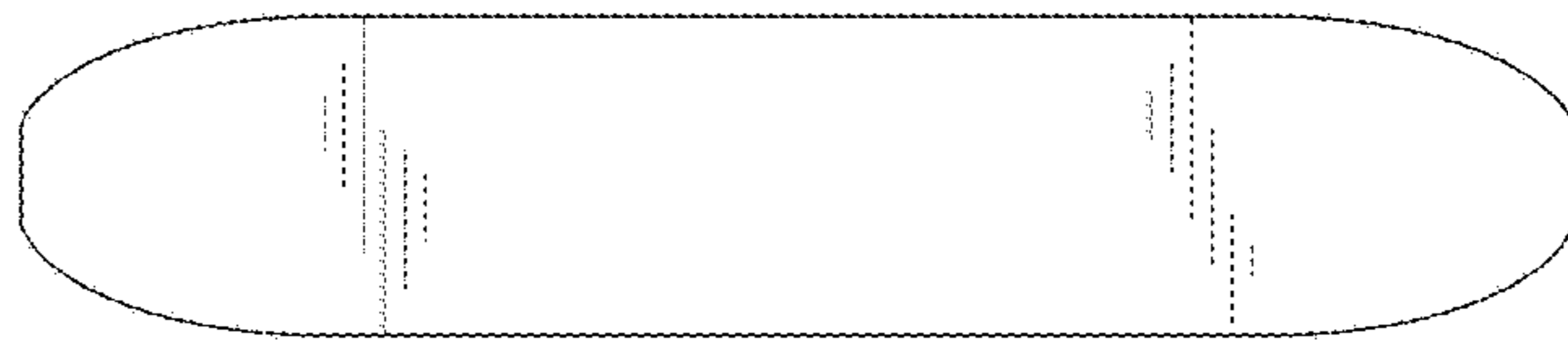


FIG. 8

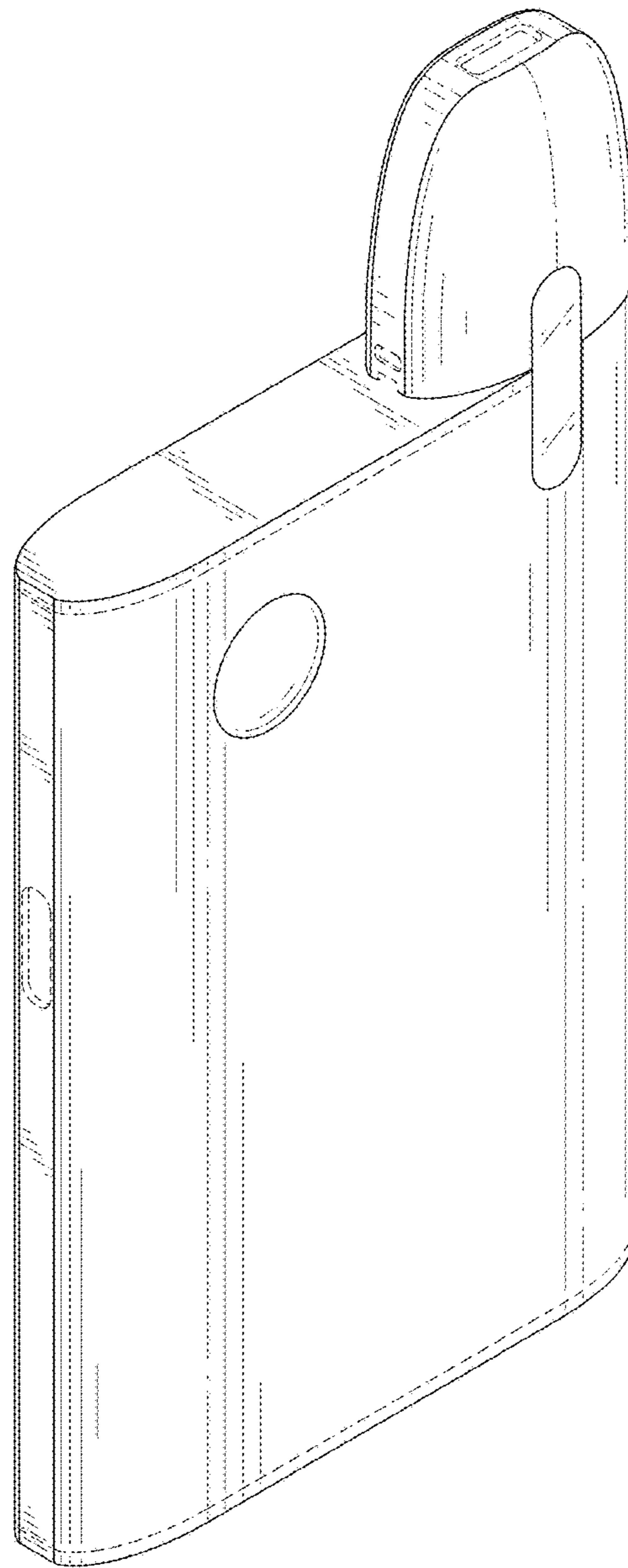


FIG. 9

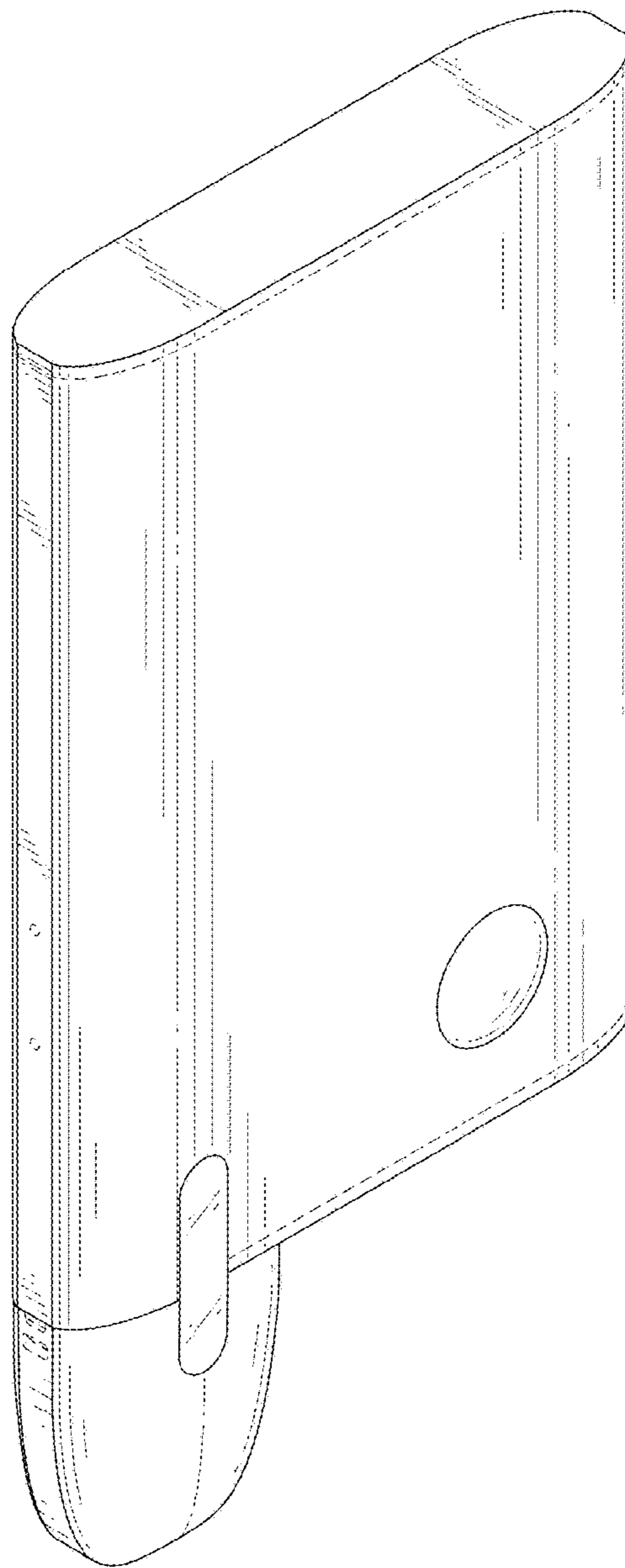


FIG. 10

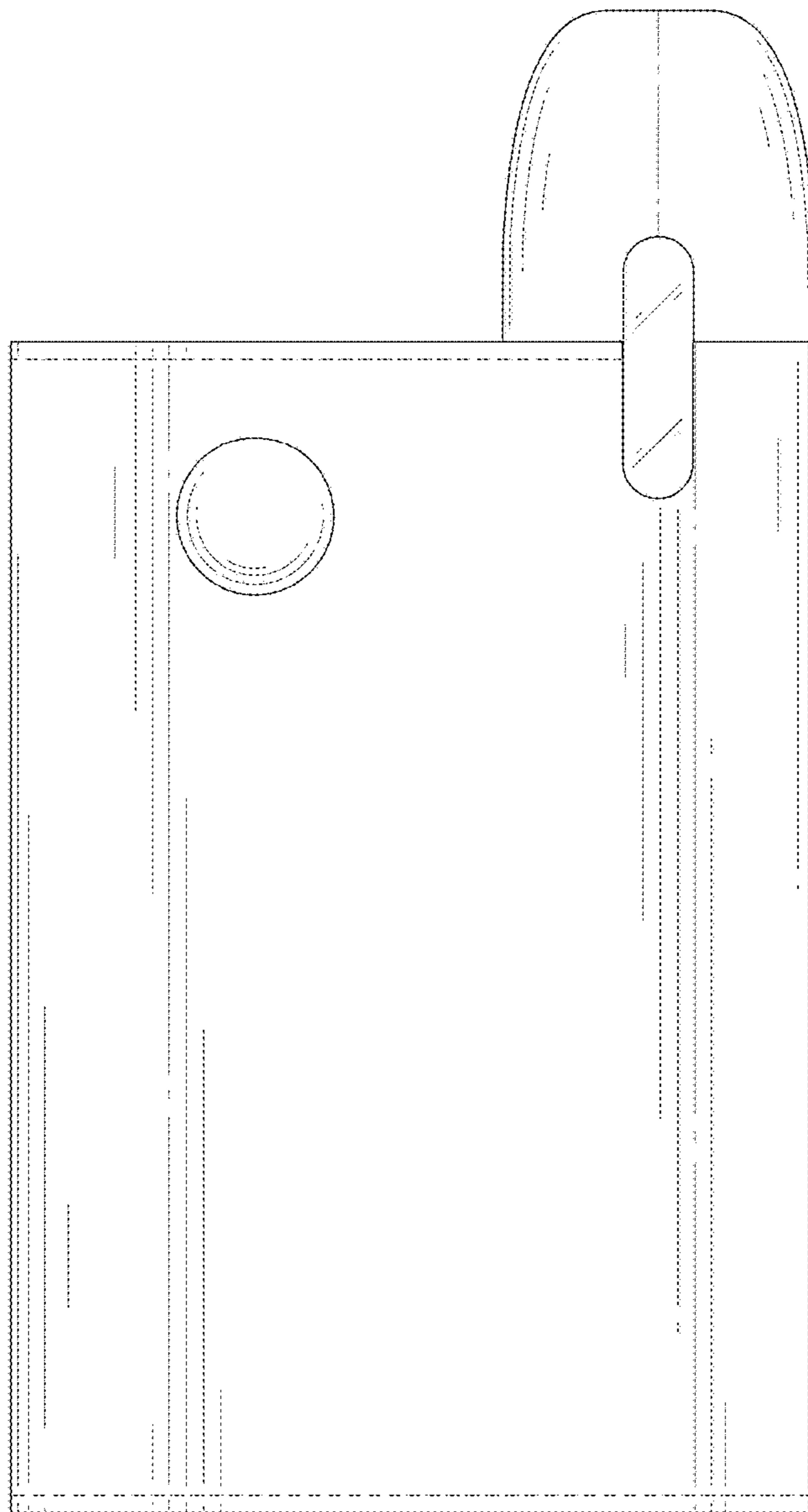


FIG. 11

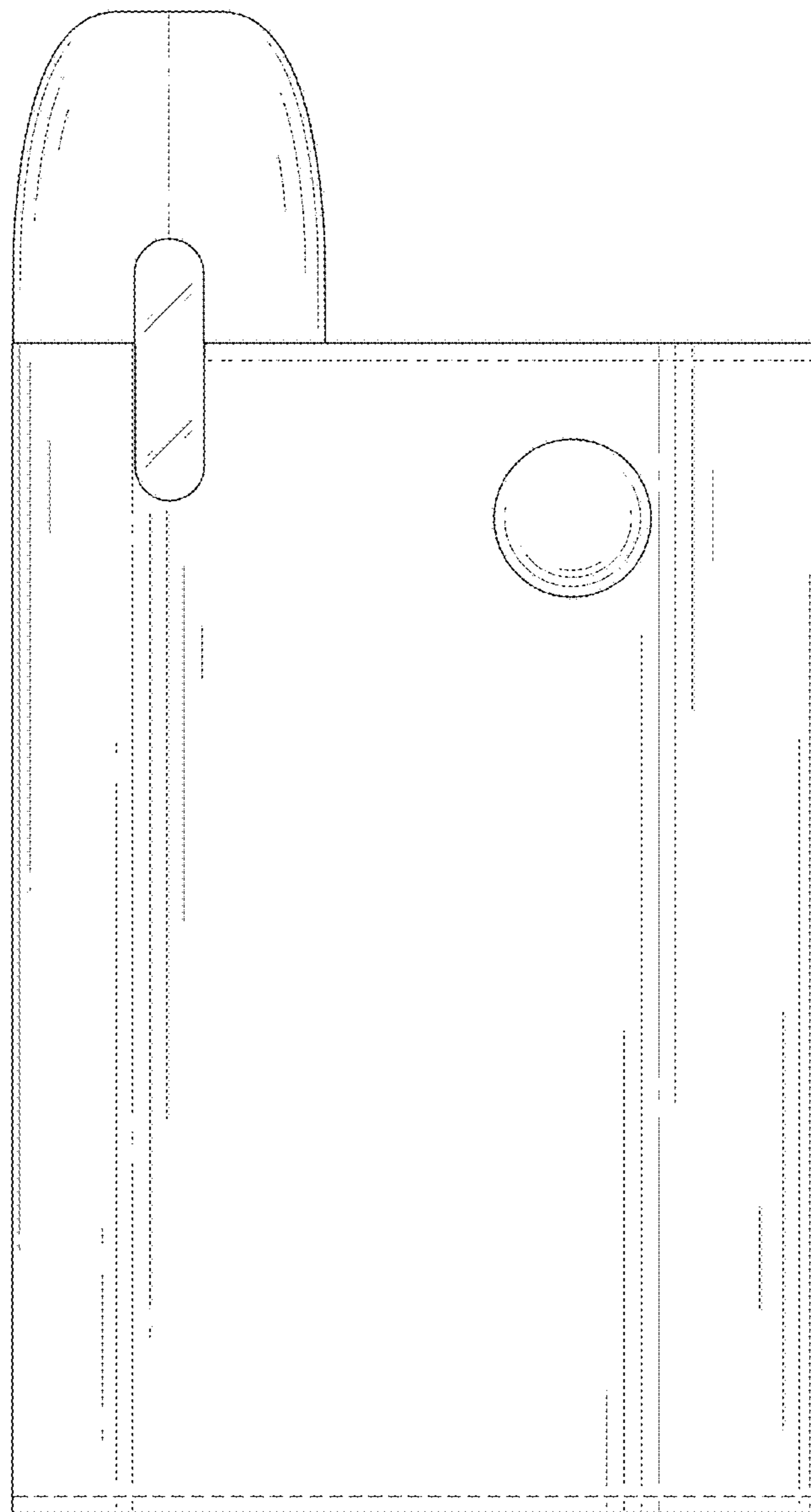


FIG. 12

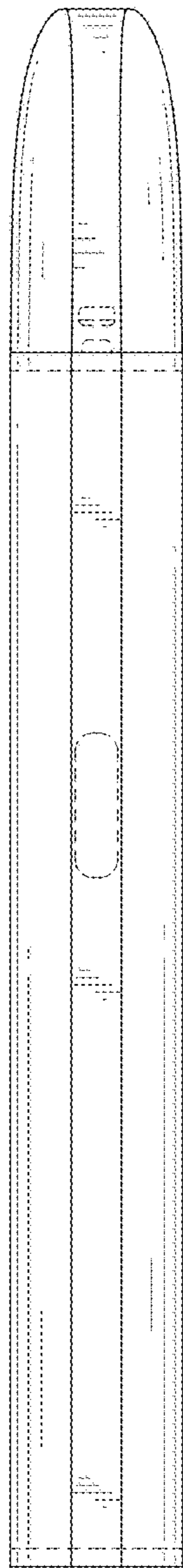


FIG. 13

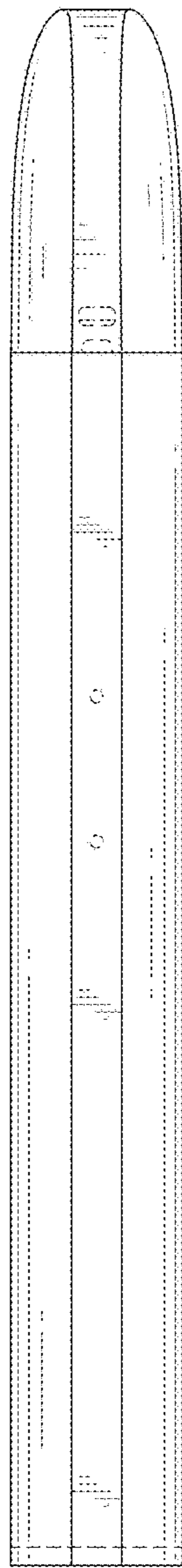


FIG. 14

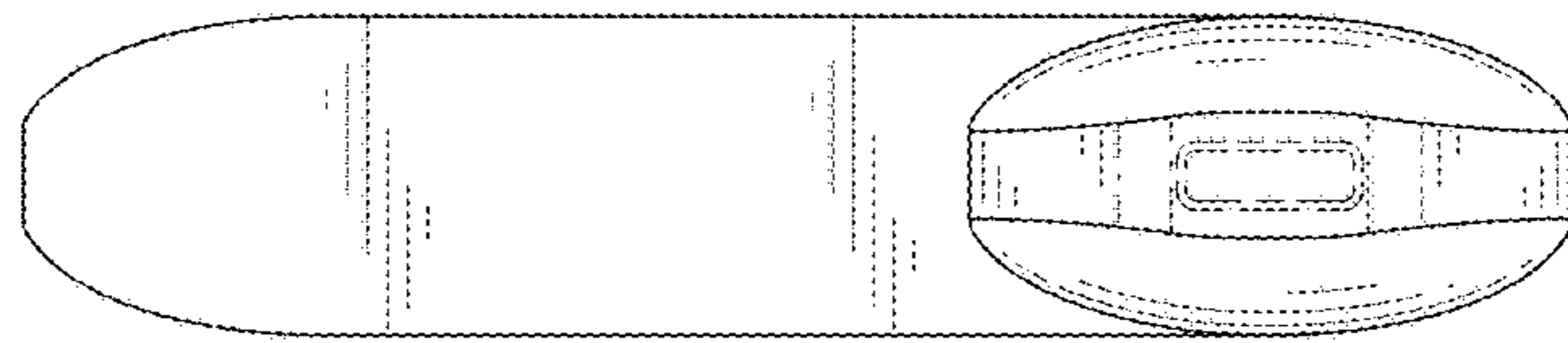


FIG. 15



FIG. 16

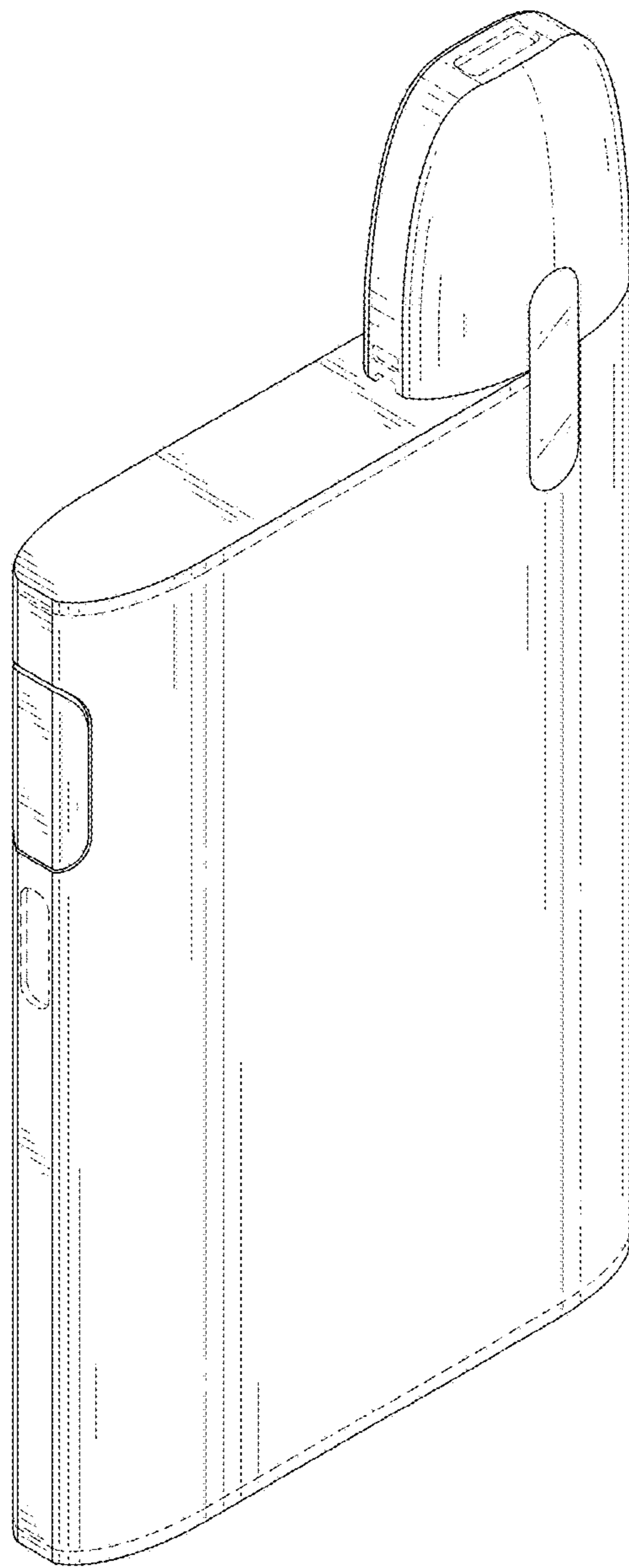


FIG. 17

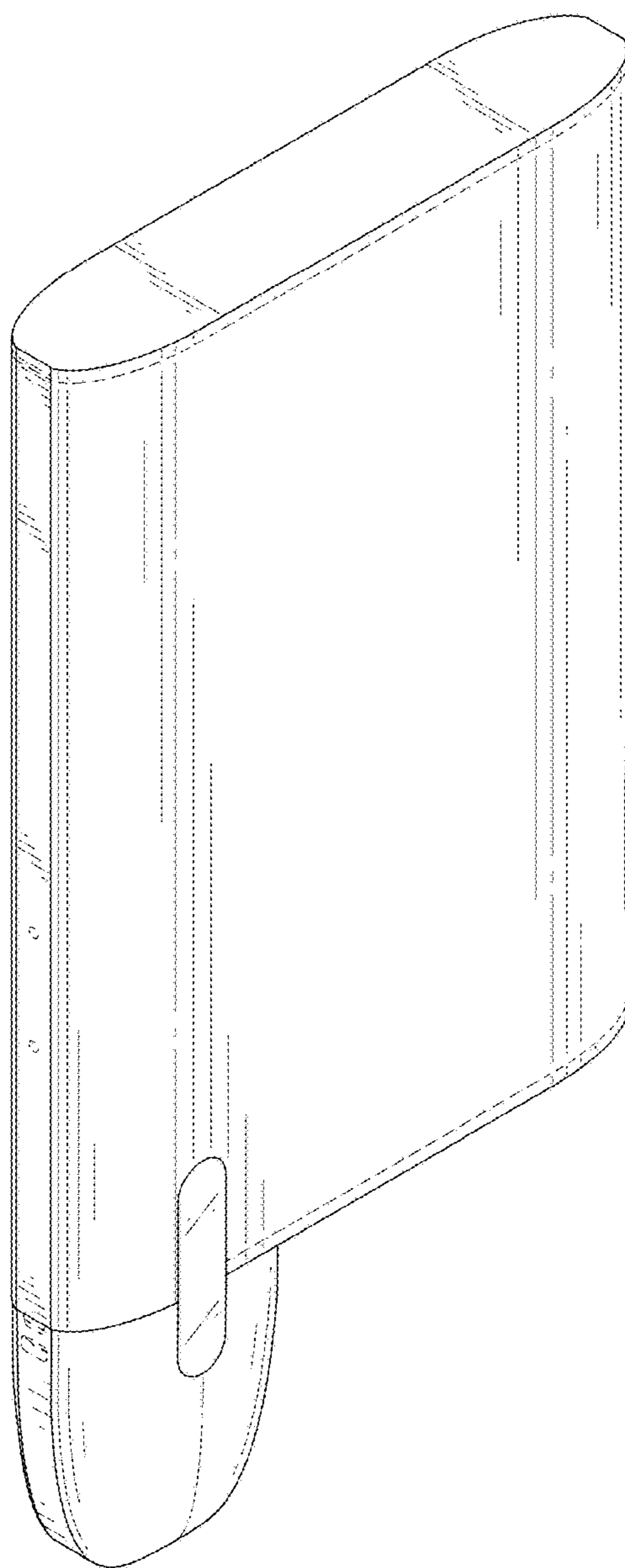


FIG. 18

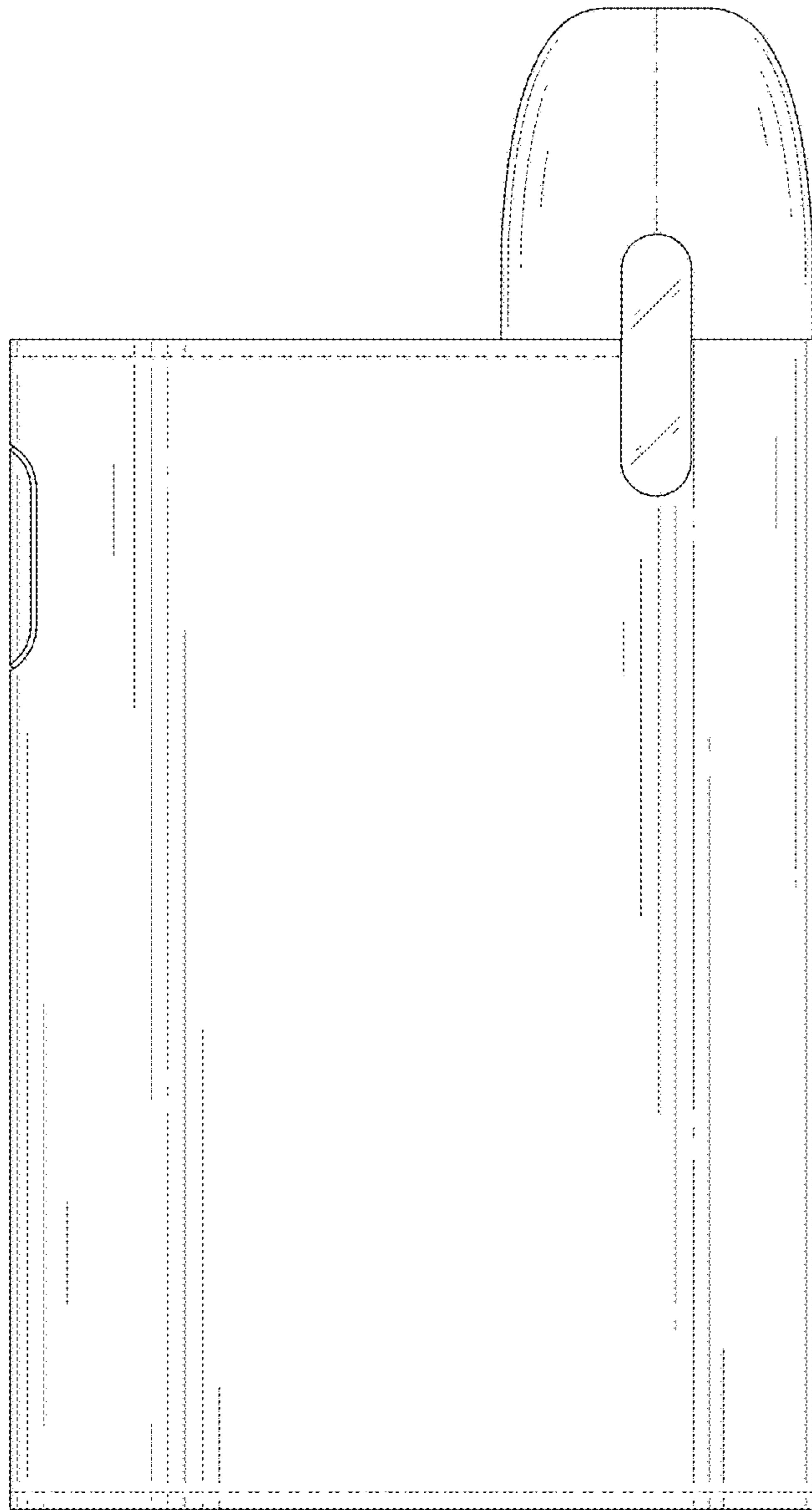


FIG. 19

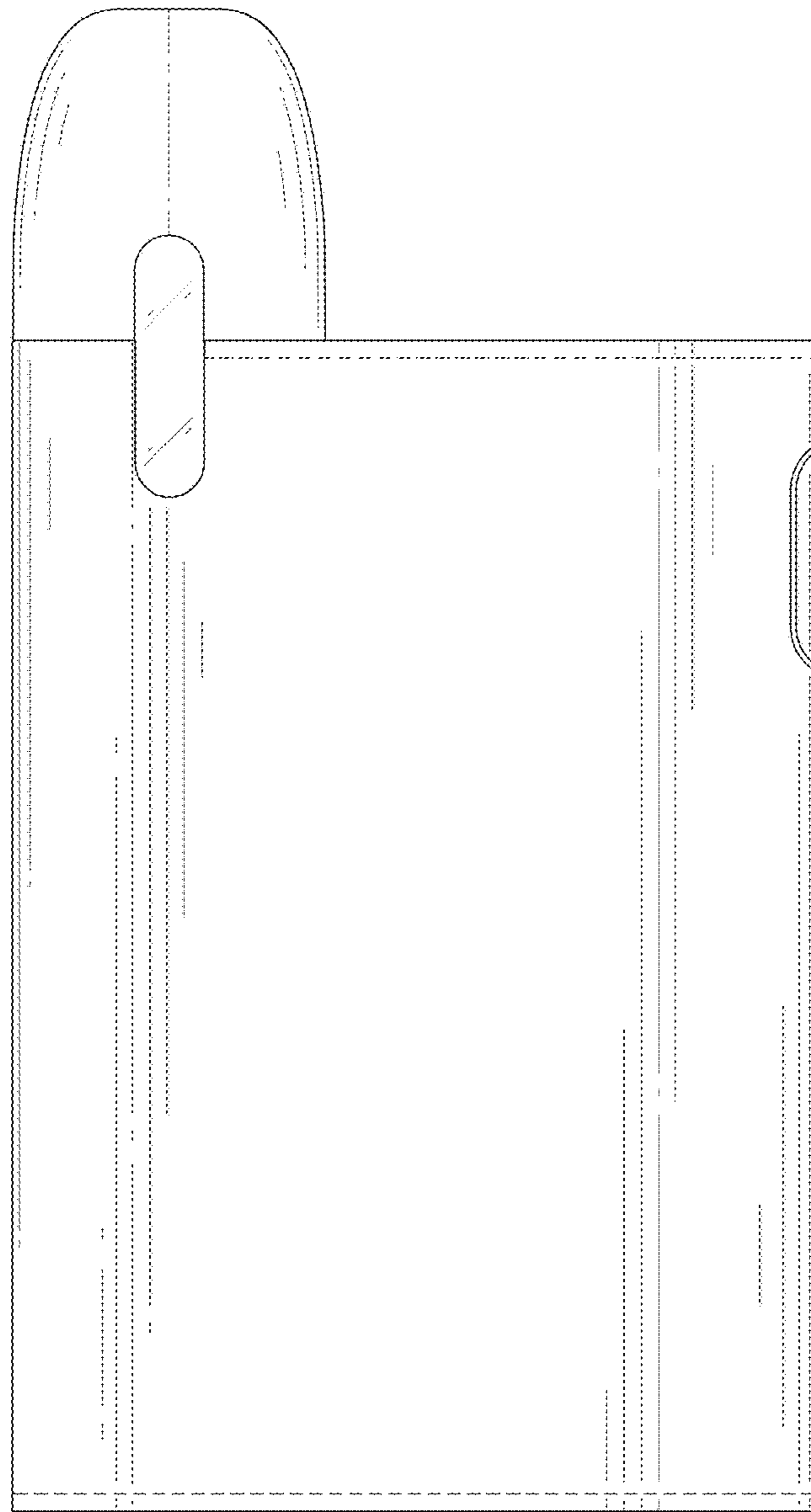


FIG. 20

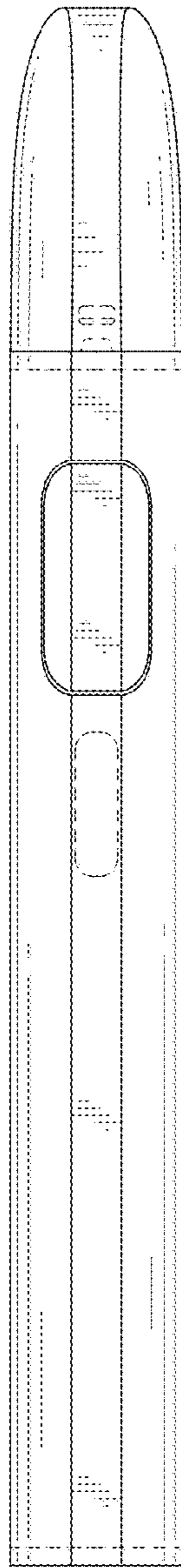


FIG. 21

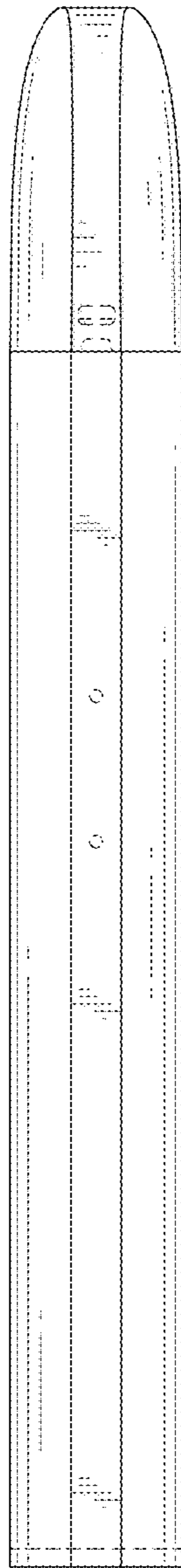


FIG. 22

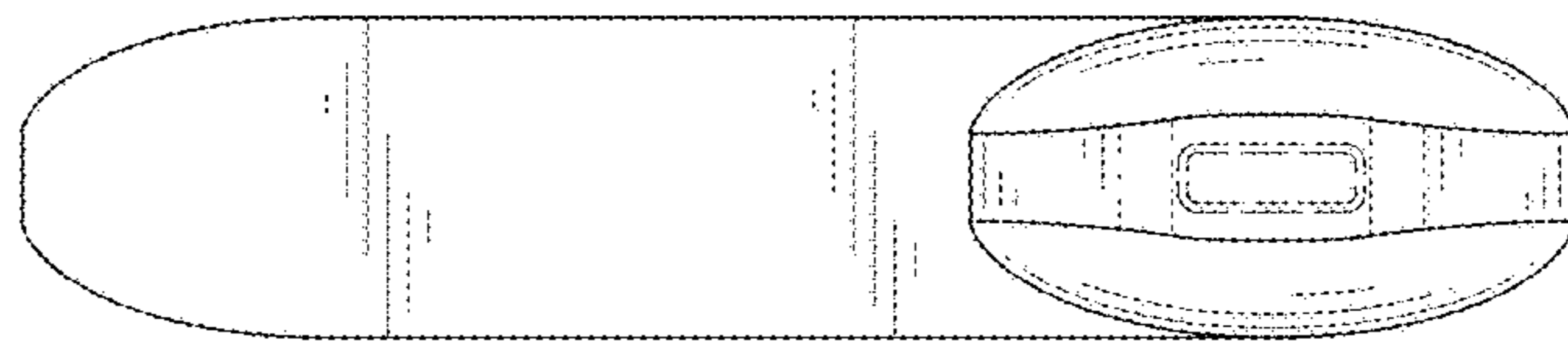


FIG. 23

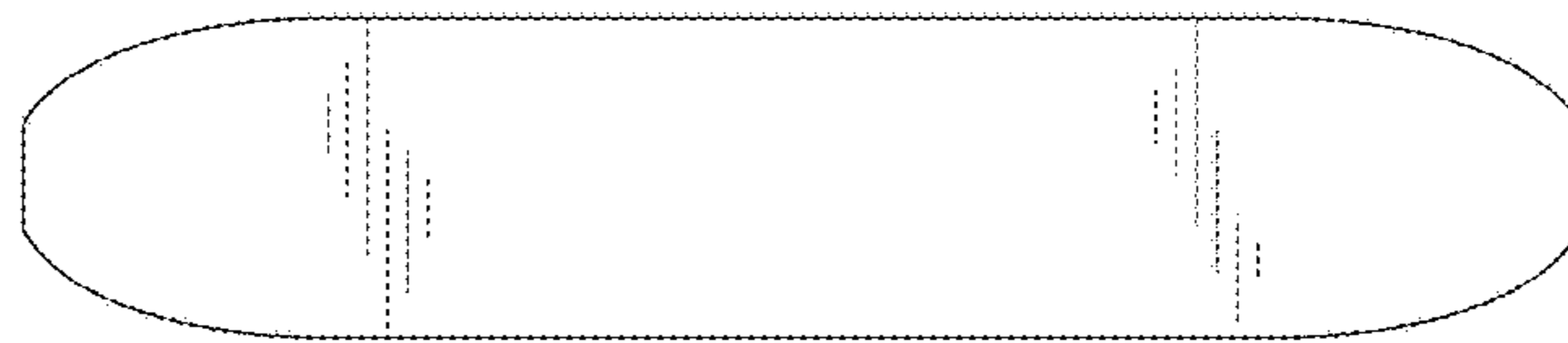


FIG. 24