



US00D855248S

(12) **United States Design Patent** (10) **Patent No.:** **US D855,248 S**  
**Tweel et al.** (45) **Date of Patent:** **\*\* Jul. 30, 2019**

(54) **LIGHT FIXTURE**

(71) Applicant: **ABL IP Holding LLC**, Decatur, GA (US)

(72) Inventors: **Patrick M. Tweel**, Atlanta, GA (US); **Aaron Feldman**, Atlanta, GA (US); **Matthew Scott Hoch**, McDonough, GA (US); **John T. Hickok**, Social Circle, GA (US)

(73) Assignee: **ABL IP Holding LLC**, Atlanta, GA (US)

(\*\*) Term: **15 Years**

(21) Appl. No.: **29/612,685**

(22) Filed: **Aug. 3, 2017**

**Related U.S. Application Data**

(62) Division of application No. 29/567,476, filed on Jun. 9, 2016, now Pat. No. Des. 810,999.

(51) **LOC (11) Cl.** ..... **26-05**

(52) **U.S. Cl.**  
USPC ..... **D26/120**

(58) **Field of Classification Search**  
USPC ..... D7/416; D10/111-113, 115, 113.1; D11/144; D13/134, 158-178; D14/473, D14/230; D22/118; D25/126-135; D26/20, 27, 30, 31, 32, 25, 35, 36, 42, D26/46, 55, 69, 70, 71, 72, 74-77, 85, D26/113, 78, 80, 101, 110, 109, 118-120, D26/122, 123, 124, 127, 133, 134, 139; D99/99

CPC . A47F 3/001; A61L 9/20; A61B 90/30; B60Q 1/2696; B60Q 1/2615; F21S 8/032; F21S 8/033; F21S 8/00; F21S 8/086; F21S 8/043; F21S 8/046; F21S 8/04; F21S 8/02; F21S 8/026; F21S 48/215; F21S 2/005; F21S 2/00; F21S 4/00; F21K 9/00; F21K 9/135; F21K 9/27; F21K 9/64; F21V 17/10; F21V 29/74; F21V 29/83; F21V 29/76; F21V 29/505; F21V 7/005;

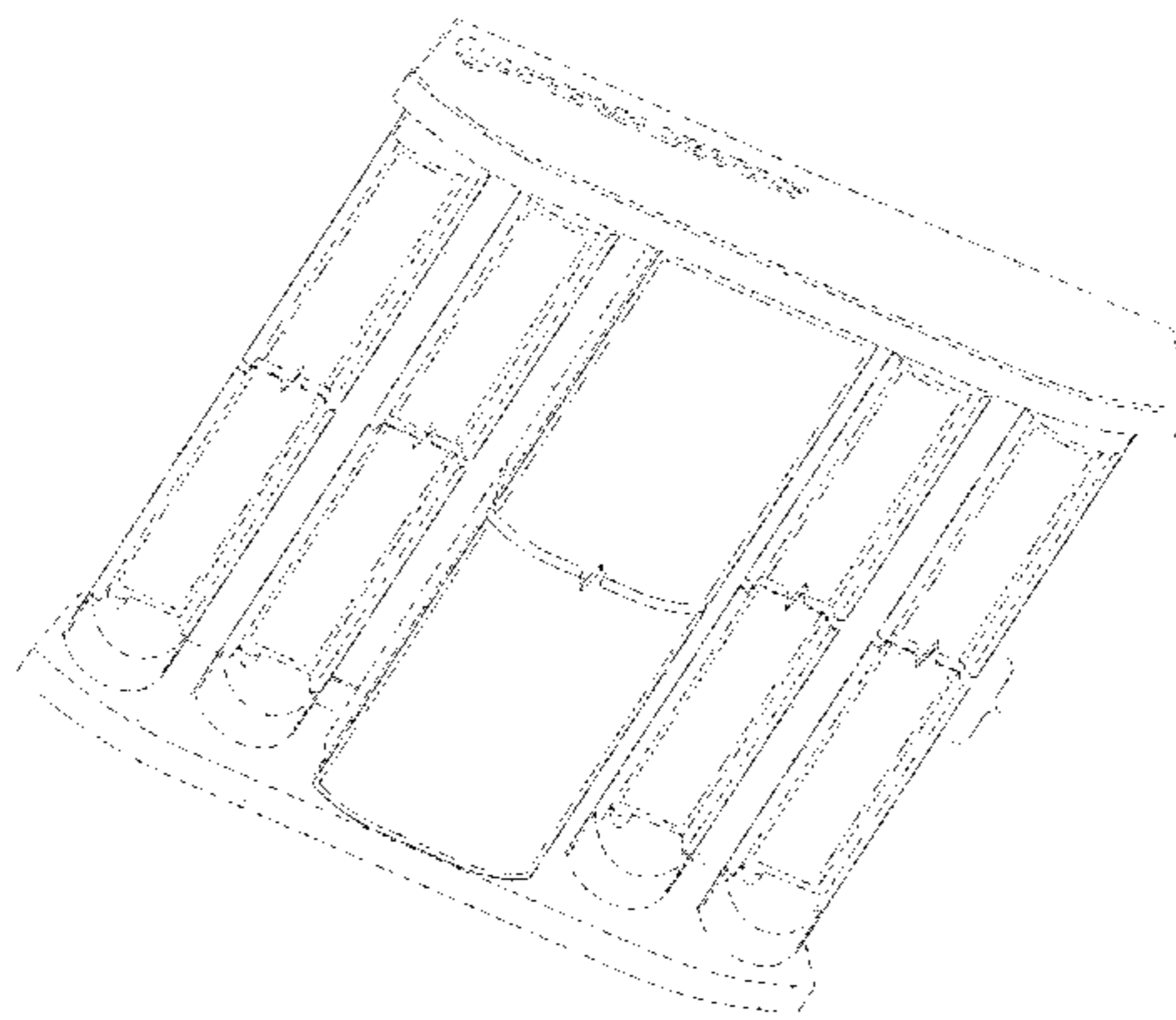
F21V 15/01; F21V 23/026; F21V 23/003; F21V 7/09; F21V 5/01; F21V 5/04; F21V 21/005; F21V 3/0445; G02B 6/0083; G02B 5/0257; G02B 1/046; G09F 13/14; H05B 33/0845; H05B 33/0842

See application file for complete search history.

(56) **References Cited**

**U.S. PATENT DOCUMENTS**

D130,570 S	12/1941	Borkland	
D397,819 S	9/1998	Thorton, Jr.	
5,988,829 A	11/1999	Holder	
D496,121 S	9/2004	Santoro	
D544,992 S *	6/2007	Mayfield, III	D26/118
D561,383 S	2/2008	Hukle et al.	
7,490,960 B1	2/2009	Fiorino et al.	
D595,894 S	7/2009	Verfuert et al.	
D604,000 S	11/2009	Fowler, Jr. et al.	
D673,324 S	12/2012	Mayfield, III et al.	
D678,597 S	3/2013	Lehman et al.	
8,506,121 B2	8/2013	van Laanen et al.	
D696,449 S	12/2013	Boyer et al.	
D701,341 S	3/2014	Mayfield, III et al.	
D703,858 S	4/2014	Miller	
8,956,013 B1	2/2015	Shew	
D729,435 S	5/2015	Arndt et al.	
D739,593 S	9/2015	Mayfield, III et al.	
D739,977 S	9/2015	Boyer et al.	
D762,909 S	8/2016	Shi	
9,416,954 B2	8/2016	Miller	
D767,193 S	9/2016	Jung	
D784,594 S	4/2017	Stolte	
D786,471 S	5/2017	Snell et al.	
D799,102 S *	10/2017	Tweel	D26/118
D804,077 S *	11/2017	Ma	D26/76
D807,567 S *	1/2018	Tweel	D26/118
D808,575 S *	1/2018	Tweel	D26/118
D809,701 S *	2/2018	Tweel	D26/118
D810,999 S *	2/2018	Tweel	D26/120
D820,496 S *	6/2018	Agro	D26/76
D822,884 S	7/2018	Tweel et al.	
D822,885 S	7/2018	Tweel et al.	
D822,886 S	7/2018	Tweel et al.	
D824,581 S	7/2018	Tweel et al.	
2012/0212956 A1	8/2012	Chen	
2013/0027935 A1	1/2013	Ladewig et al.	
2013/0063948 A1 *	3/2013	Ishii	F21S 8/026 362/294
2013/0294072 A1 *	11/2013	Miller	F21V 7/00 362/235





2014/0293595 A1 10/2014 May  
 2014/0313719 A1 10/2014 Wang et al.  
 2015/0016100 A1\* 1/2015 Ishii ..... F21S 8/043  
 362/223  
 2015/0016108 A1 1/2015 Howe  
 2015/0159839 A1\* 6/2015 Howe ..... F21V 3/0625  
 362/311.01  
 2016/0327256 A1 11/2016 Hall

FOREIGN PATENT DOCUMENTS

MX 51913 1/2018

OTHER PUBLICATIONS

U.S. Appl. No. 15/659,975, “First Action Interview Pilot Program Pre-Interview Communication,” Jul. 27, 2018, 4 pages.  
 “2x2 2x4 LED Troffer”, <<http://www.led-wall-pack.com/indoor-led-lighting/led-volumetric-troffer-light/2017-newest-etl-dlc-v4-0-remium-led-ceiling.html>>, site visited Jun. 20, 2017, Nov. 29, 2015.  
 “Albeo™ LED Luminaire High Bay Lighting (ABV-Series)”, GE Lighting, Feb. 16, 2016 (6 pages).  
 “Albeo™ LED Luminaire Modular High & Low Bay Lighting (ABHX-Series)”, GE Lighting Solutions, May 1, 2013, (8 pages).  
 “Albeo™ LED Luminaire Heavy Industrial High Bay & Low Bay Lighting (ABRI- Series)” Brochure, GE Lighting, Retrieved from the internet: [www.gelighting.com](http://www.gelighting.com), 2016, 6 pages.  
 “Albeo™ LED Luminaire Heavy Industrial High Bay & Low Bay Lighting (ABRI-Series)”, GE Lighting, Retrieved from the internet: [www.gelighting.com](http://www.gelighting.com), 2016, 2 pages.  
 “Albeo™ LED Luminaire Heavy Industrial High Bay Lighting (ABRI-Series)”, GE Lighting, Installation Guide, 2014, 4 pages.  
 “Announcing the Albeo™ ABR1 Heavy Industrial High Bay from GE”, GE Lighting, Nov. 20, 2015, 2 pages.  
 “Award Winning of High Efficacy LED Fixtures for High and Medium Bay Applications”, Flextronics X, Product Guide, Lusio® Essentials Series v 2.1, 2014 (60 pages).  
 “Big Ass Light High Bay LED”, Retrieved from the internet: [bigasslight.com.au](http://bigasslight.com.au), Jul. 6, 2015, 3 pages.  
 “Enjoy flexibility and savings along with quality illumination; An economical LED high bay”, Philips Lighting, 2015, 8 pages.  
 “Get more from the top: Experience unmatched energy savings in high and low bay environments with Albeo™ LED Luminaires”, Current powered by GE, 2016, 8 pages.  
 “HBLED High Bay LED Luminaire”, Metalux, Eaton Powering Business Worldwide, 2015 (4 pages).  
 “LED Features and Specification”, Orion ISON™ High Bay, [orionlighting.com](http://orionlighting.com), 2015 (2 pages).  
 “Low Profile Channel LED Fixture or Retrofit”, Industrial Lighting Products (13 pages).  
 “Lusio® Essential Aisle Lighter Performance Line”, Flex, [www.flextronics.com/lighting](http://www.flextronics.com/lighting), 2015 (2 pages).  
 “Lusio® Essential Series Aisle Lighter”, Flextronics X, [www.flextronics.com/lighting](http://www.flextronics.com/lighting), 2014 (2 pages).  
 “Made to Order: Imagine lighting as versatile as the industries it serves”, Industrial Solutions, Believed to be available at least as early as Feb. 1, 2015, 15 pages.  
 “Metalux Industrial LED Luminaires”, Eaton Powering Business Worldwide, Retrieved from the internet: <http://www.cooperindustries.com/content/dam/public/lighting/products/documents/metalux/brochures/BR507005EN-Mx-IndLED-bro.pdf>, 51 pages.  
 “The Big Ass Inverted 20K LED”, Retrieved from the internet: [bigasslight.com](http://bigasslight.com), Jun. 24, 2015, 2 pages.  
 Phillips, “IntelliWhite LED Lighting”, Color Kinetics, available online at <<http://www.colorkinetics.com/ls/intelliwhite/intelliwhite.html>>, May 16, 2014, 1 page.  
 Notice of Allowance for U.S. Appl. No. 29/565,090, dated Jun. 9, 2017, 10 pages.  
 Restriction Requirement for U.S. Appl. No. 29/567,476, dated Jun. 27, 2017, 8 pages.  
 Non-Final Office Action for U.S. Appl. No. 29/567,207, dated Jul. 3, 2017, 14 pages.

Response to Restriction Requirement for U.S. Appl. No. 29/567,476, filed Jul. 26, 2017, 5 pages.  
 Restriction Requirement for U.S. Appl. No. 29/561,794, dated Aug. 1, 2017, 13 pages.  
 Restriction Requirement for U.S. Appl. No. 29/561,838, dated Aug. 1, 2017, 13 pages.  
 Non-Final Office Action for U.S. Appl. No. 29/567,476, dated Aug. 10, 2017, 7 pages.  
 Response to Non-Final Office Action for U.S. Appl. No. 29/567,207, filed Aug. 29, 2017, 4 pages.  
 Notice of Allowance for U.S. Appl. No. 29/567,207, dated Sep. 18, 2017, 9 pages.  
 Response to Restriction Requirement for U.S. Appl. No. 29/561,838, filed Sep. 19, 2017, 25 pages.  
 Response to Restriction Requirement for U.S. Appl. No. 29/561,794, filed Sep. 20, 2017, 25 pages.  
 Notice of Allowance for U.S. Appl. No. 29/561,794, dated Sep. 26, 2017, 5 pages.  
 Notice of Allowance for U.S. Appl. No. 29/561,838, dated Sep. 29, 2017, 5 pages.  
 Response to Non-Final Office Action for U.S. Appl. No. 29/567,476, filed Oct. 6, 2017, 3 pages.

\* cited by examiner

Primary Examiner — Kevin K Rudzinski  
 Assistant Examiner — Paul D. Bohannon  
 (74) Attorney, Agent, or Firm — Kilpatrick Townsend & Stockton LLP

(57) CLAIM

The ornamental design for a light fixture, as shown and described.

DESCRIPTION

FIG. 1 is a bottom perspective view of a first embodiment of the light fixture.  
 FIG. 2 is a top perspective view of the light fixture of FIG. 1.  
 FIG. 3 is a right side elevation view of the light fixture of FIG. 1, it being understood that the left side elevation view is identical to the right side elevation view.  
 FIG. 4 is a front elevation view of the light fixture of FIG. 1, it being understood that the rear elevation view is identical to the front elevation view.  
 FIG. 5 is a top plan view of the light fixture of FIG. 1.  
 FIG. 6 is a bottom plan view of the light fixture of FIG. 1.  
 FIG. 7 is a bottom perspective view of yet another embodiment of the light fixture.  
 FIG. 8 is a top perspective view of the light fixture of FIG. 7.  
 FIG. 9 is a right side elevation view of the light fixture of FIG. 7, it being understood that the left side elevation view is identical to the right side elevation view.  
 FIG. 10 is a front elevation view of the light fixture of FIG. 7, it being understood that the rear elevation view is identical to the front elevation view.  
 FIG. 11 is a top plan view of the light fixture of FIG. 7; and, FIG. 12 is a bottom plan view of the light fixture of FIG. 7. Portions or features of the light fixture not shown in the drawings form no part of the claimed design. The evenly dotted broken lines in the drawings illustrate portions of the light fixture that form no part of the claimed design. The dash-dot-dot-dash broken lines in the drawings represent boundary lines that form no part of the claimed design. The surfaces immediately adjacent the evenly dotted broken

lines and the dash-dot-dot-dash broken lines in the drawings form no part of the claimed design. The dash-dot-dash-dot broken lines in the drawings represent symbolic breaks along the fixture length and/or width. The appearance of any portion of the light fixture between these breaks forms no part of the claimed design.

**1 Claim, 10 Drawing Sheets**

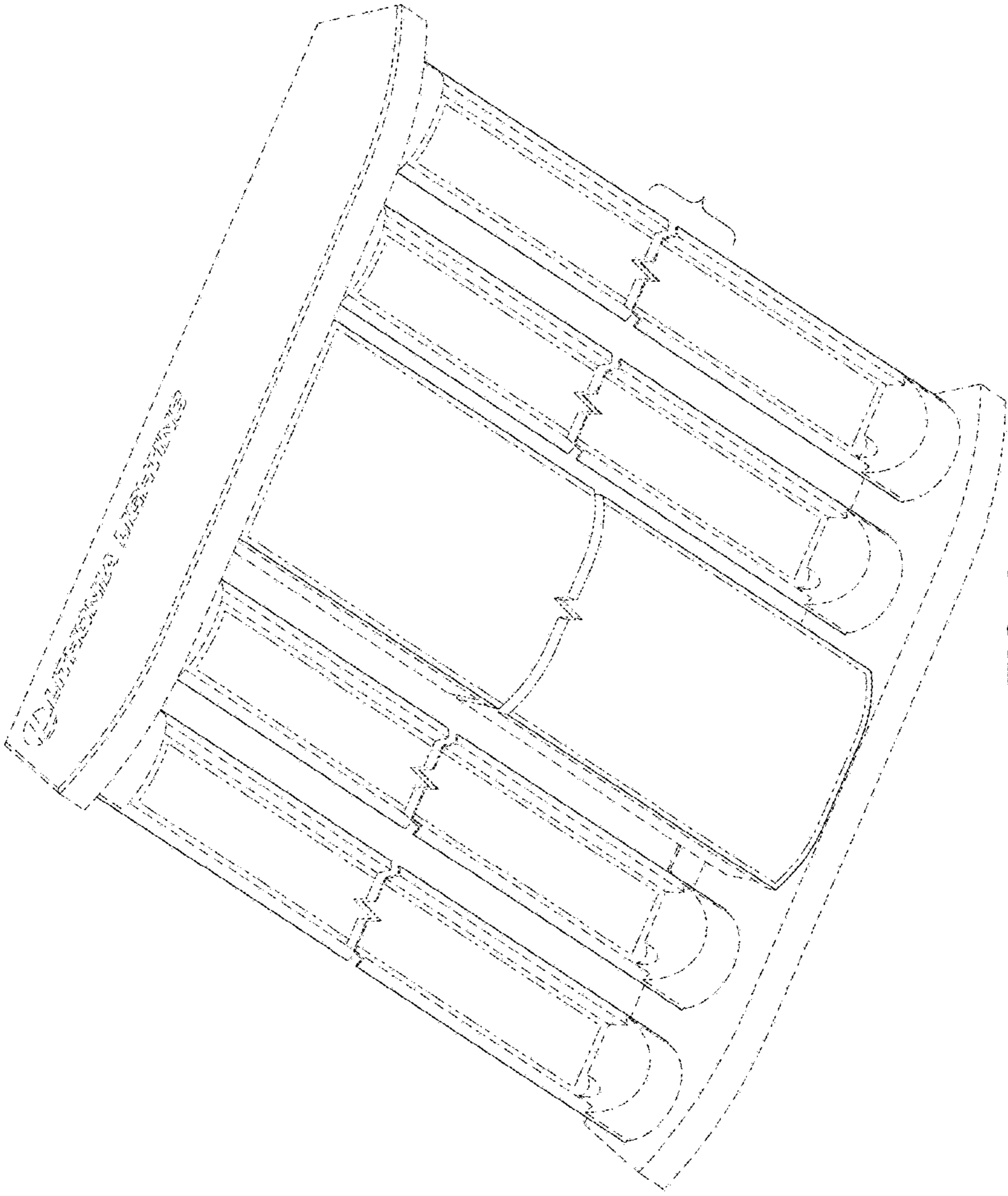


FIG. 1



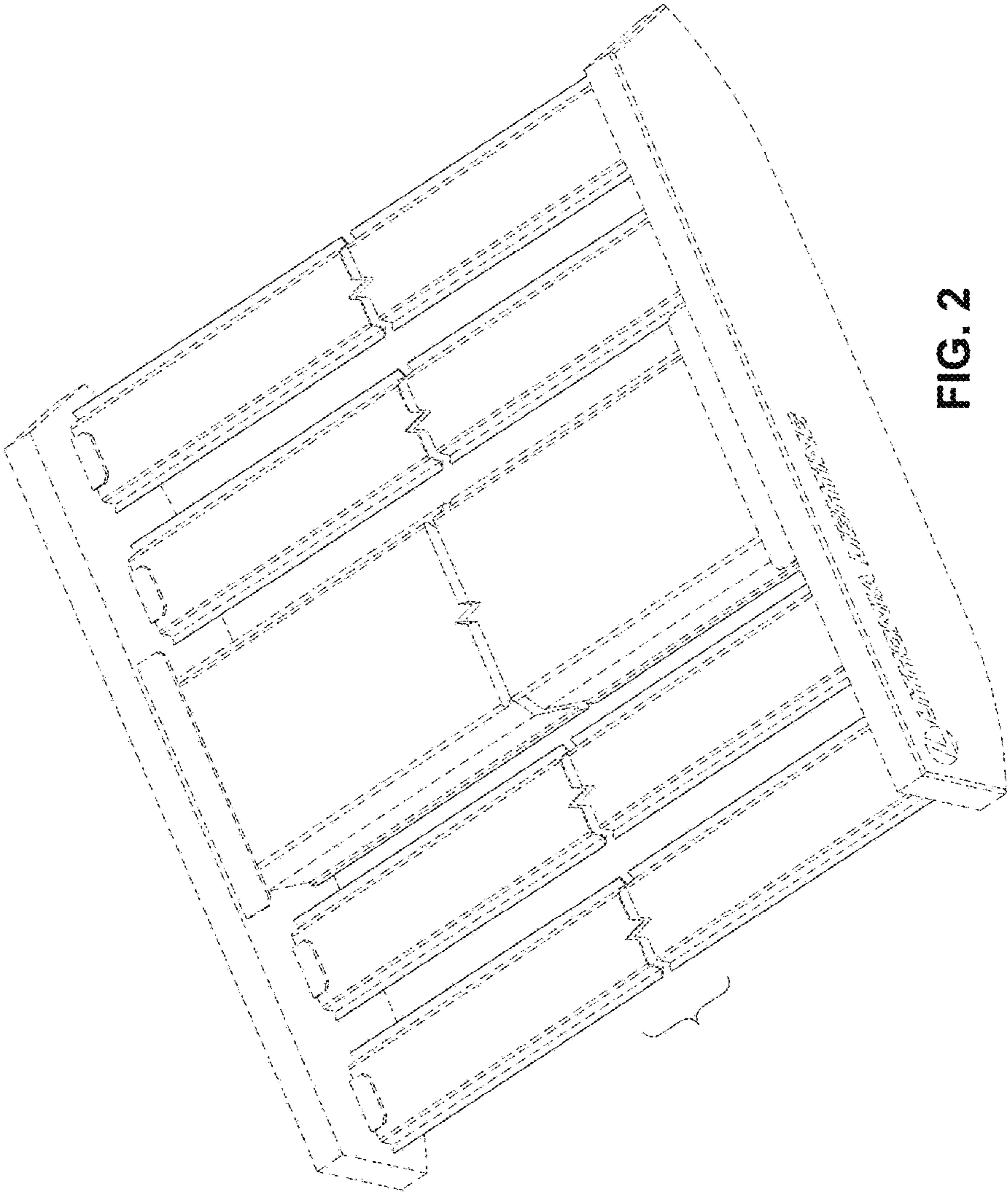


FIG. 2

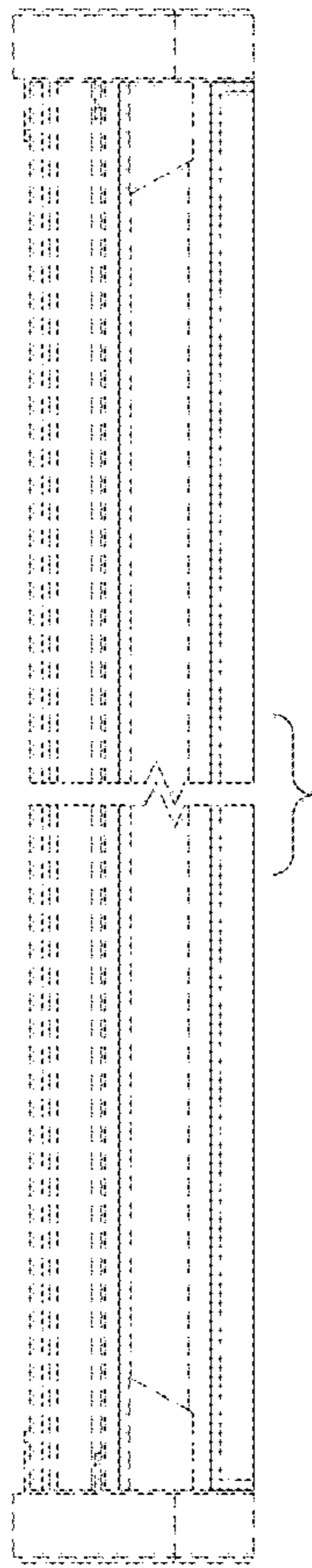


FIG. 3

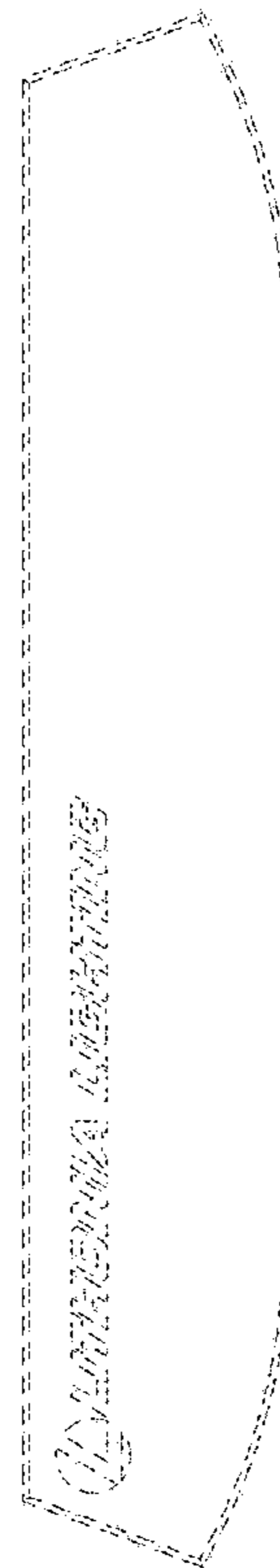


FIG. 4

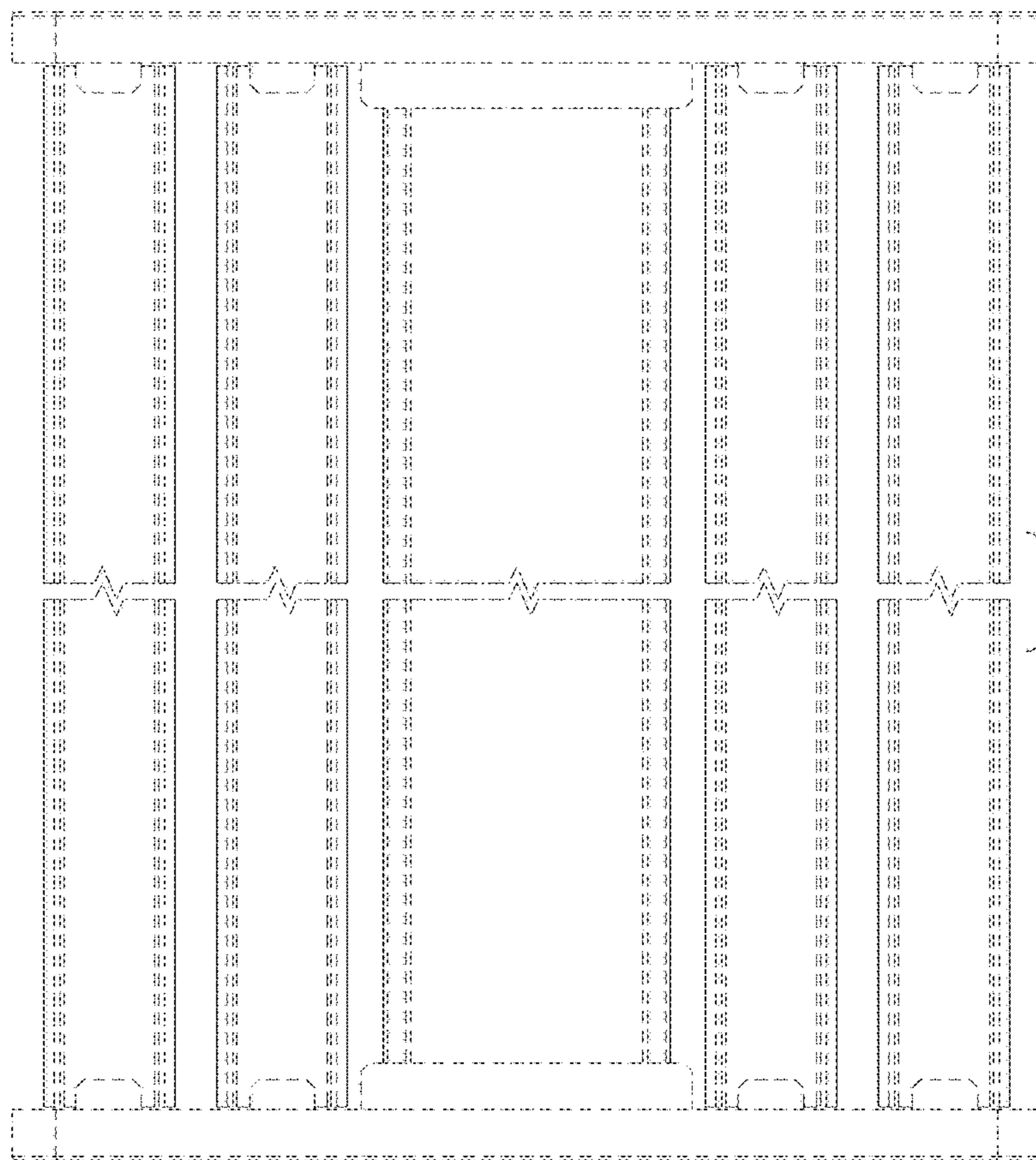


FIG. 5

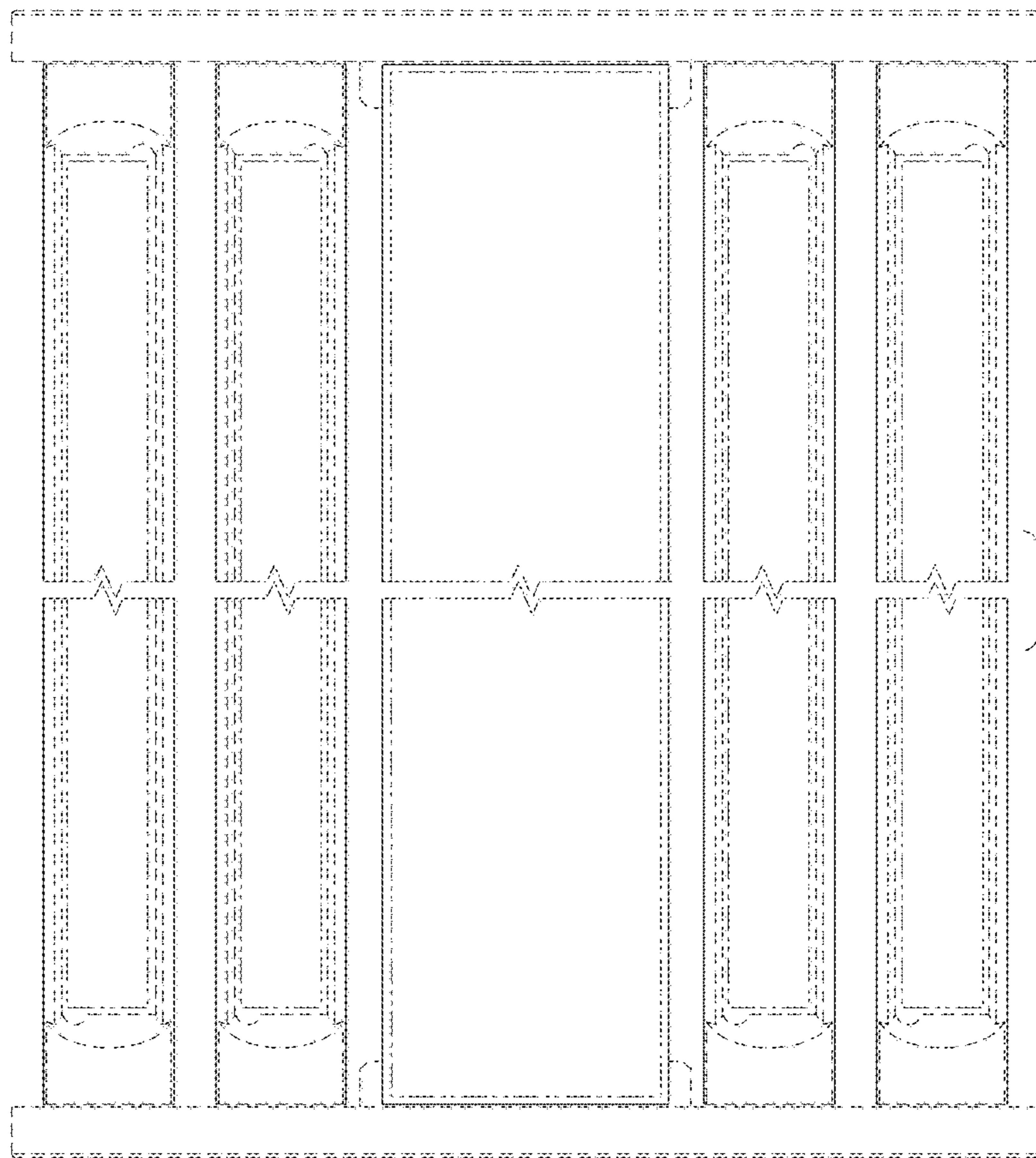


FIG. 6



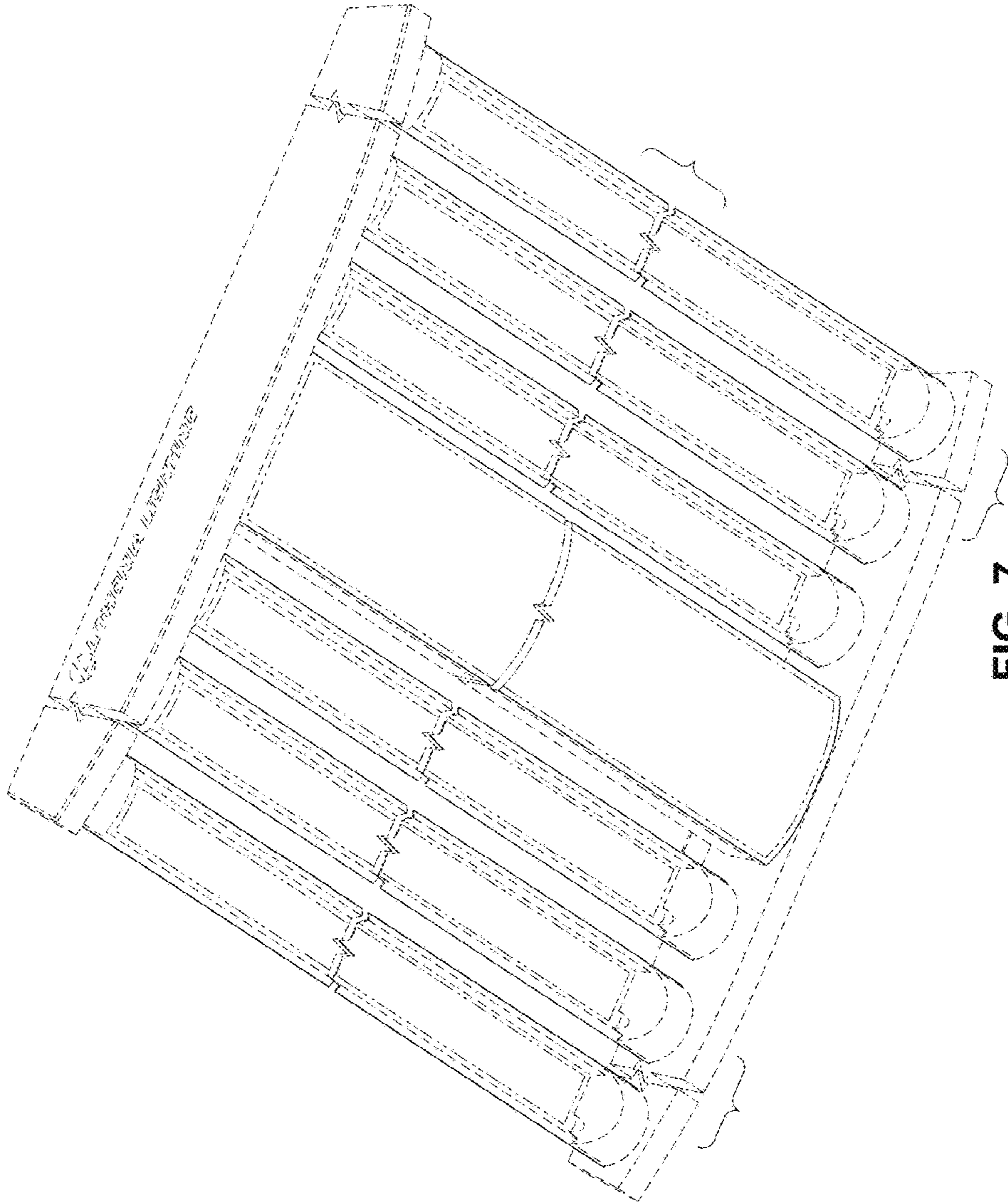


FIG. 7

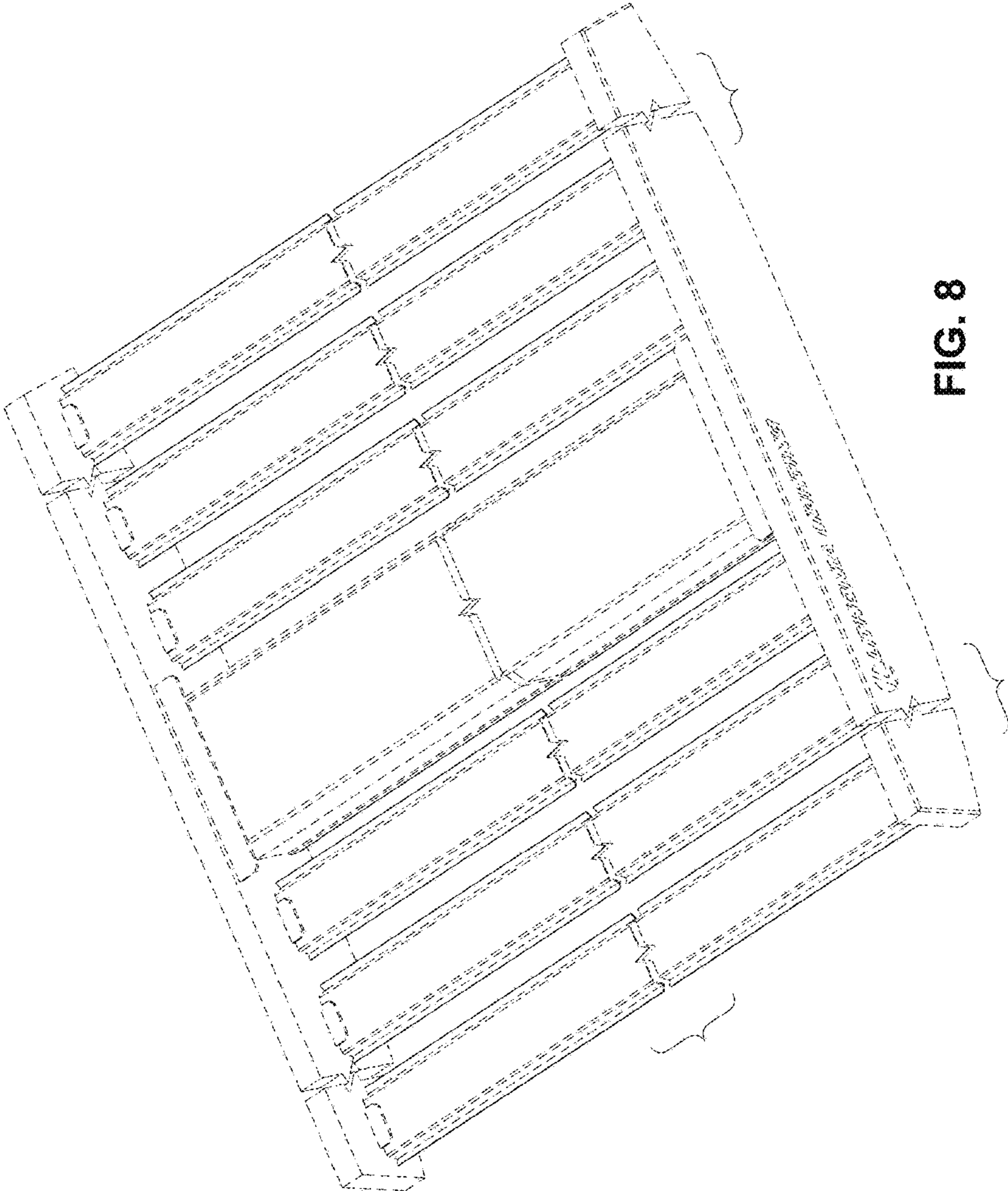


FIG. 8

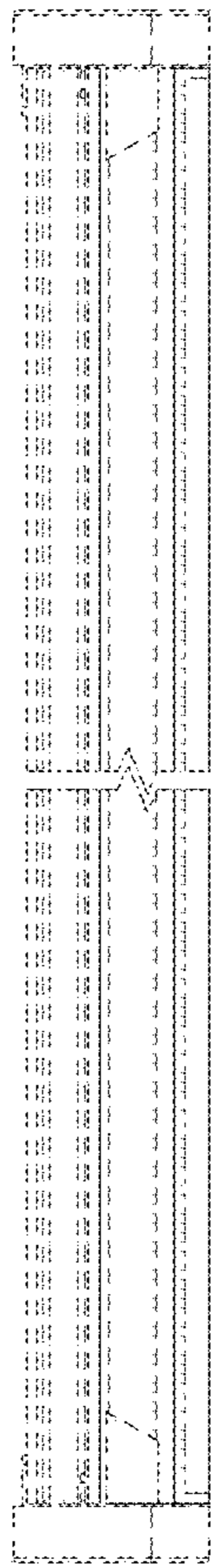


FIG. 9

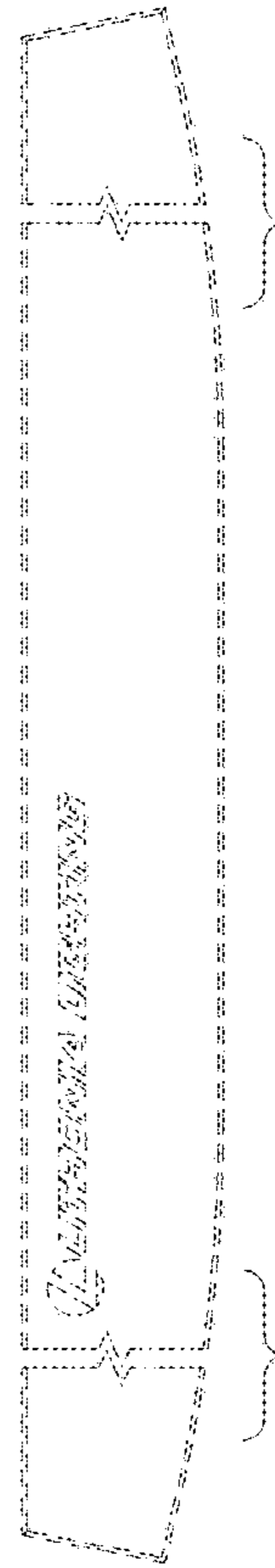
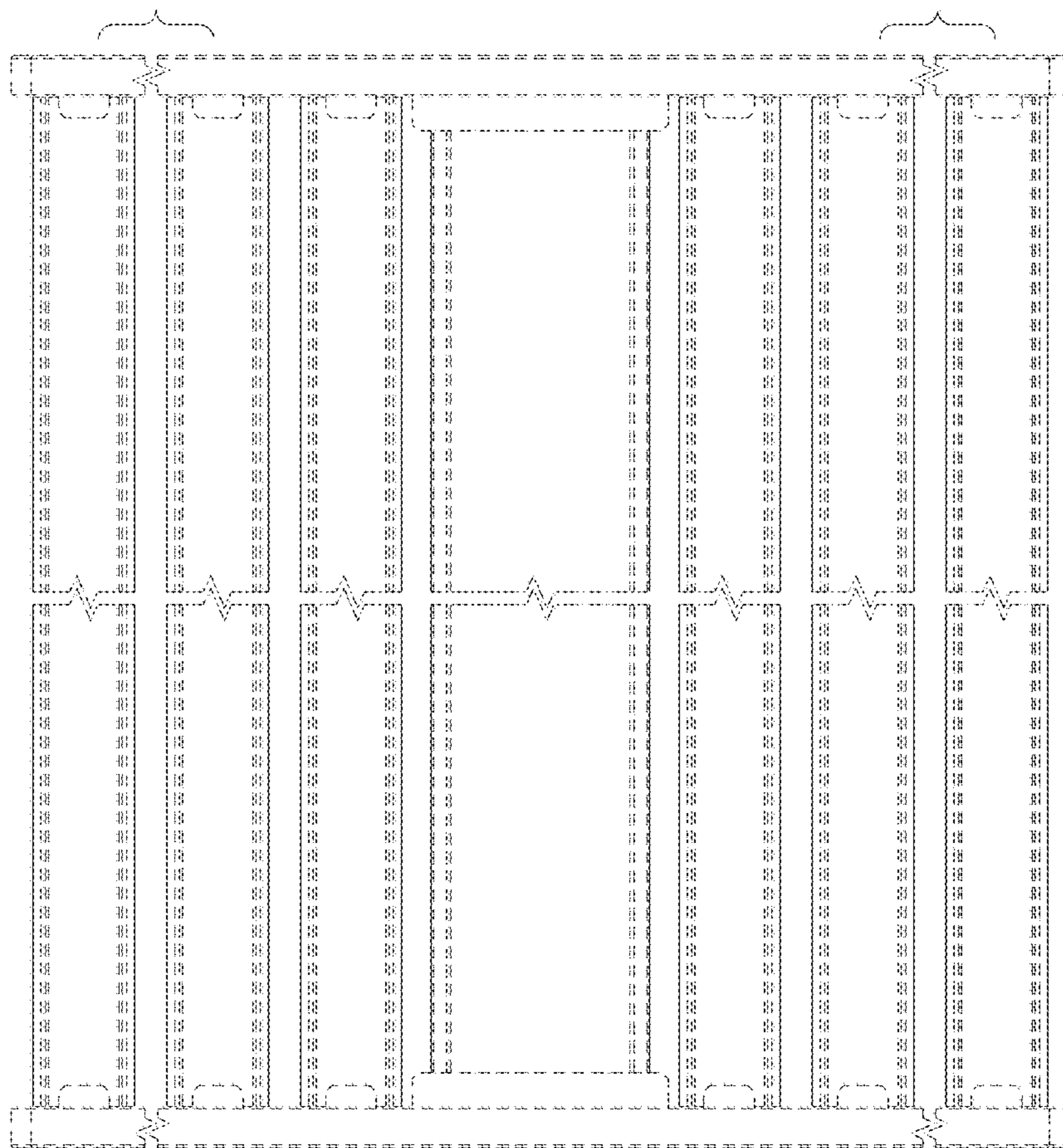


FIG. 10





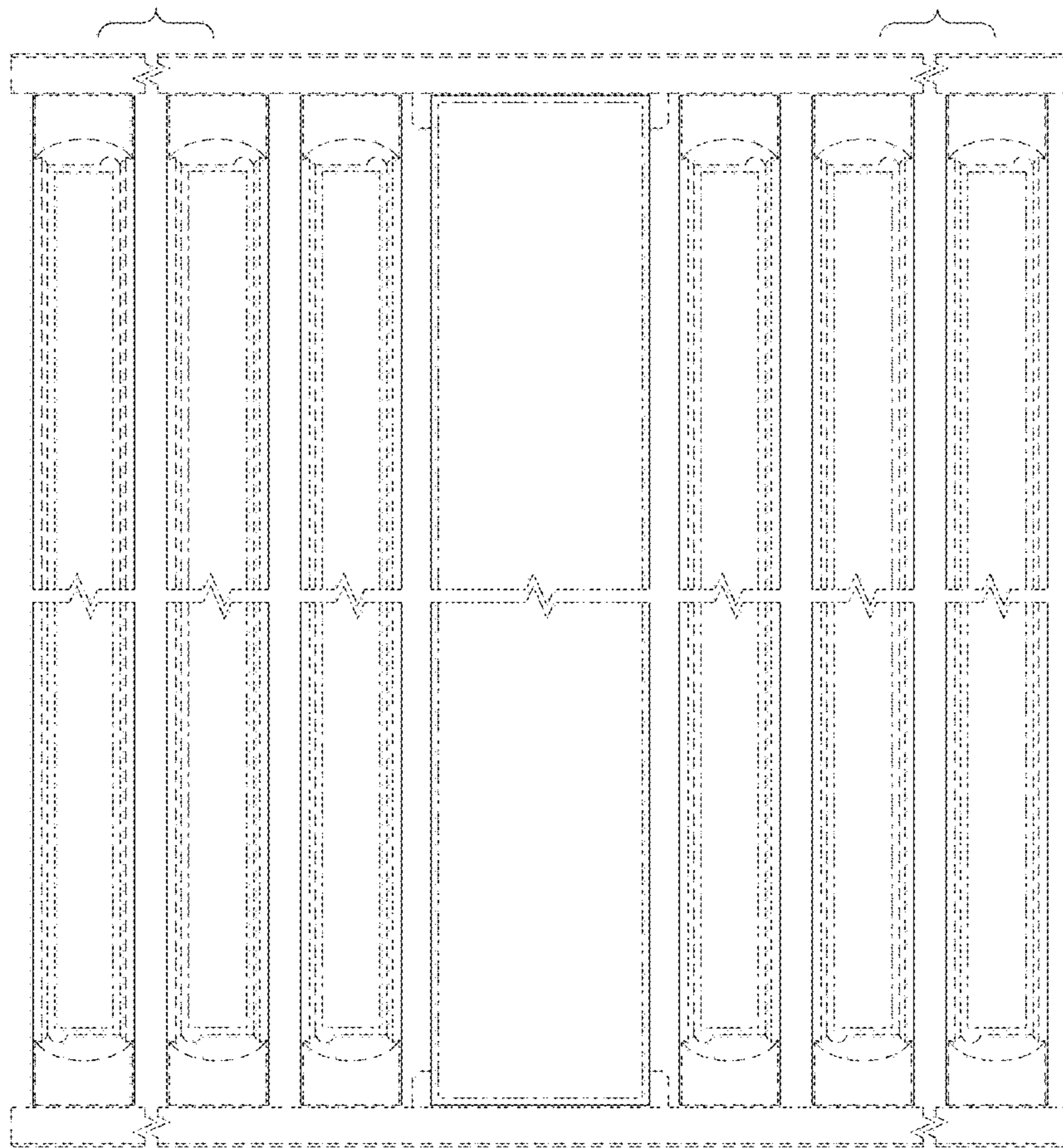


FIG. 12