



US00D855247S

(12) **United States Design Patent**  
**Wang**

(10) **Patent No.:** **US D855,247 S**

(45) **Date of Patent:** **\*\* Jul. 30, 2019**

(54) **LED HIGH MAST LIGHT**

(71) Applicant: **AOK Industrial Company Limited,**  
Shenzhen (CN)

(72) Inventor: **Xin Wang,** Shenzhen (CN)

(\*\*) Term: **15 Years**

(21) Appl. No.: **29/682,378**

(22) Filed: **Mar. 5, 2019**

(51) **LOC (11) Cl.** ..... **26-99**

(52) **U.S. Cl.**  
USPC ..... **D26/118**

(58) **Field of Classification Search**  
USPC ... D26/1, 2, 24, 27, 51, 61, 63, 64, 65, 104,  
D26/106, 118  
CPC .. A63H 13/00; F21S 6/00; F21S 6/002; F21S  
10/00; F21V 3/00; F21V 3/0418; F21V  
15/00; F21V 21/02; F21V 31/00; F21W  
2121/00; F21W 2131/30  
See application file for complete search history.

(56) **References Cited**

U.S. PATENT DOCUMENTS

D688,405 S \* 8/2013 Kim ..... D26/72  
D762,181 S 7/2016 Lin  
D769,508 S \* 10/2016 Rosello Gratacos ..... D26/63  
D773,094 S \* 11/2016 Dworschak ..... D26/63

D802,179 S \* 11/2017 Zeng ..... D26/2  
D804,077 S 11/2017 Ma et al.  
D815,769 S \* 4/2018 Gong ..... D26/63  
D825,806 S \* 8/2018 Jurik ..... D26/63  
D845,530 S \* 4/2019 Yu ..... D26/63  
D848,654 S \* 5/2019 Zhu ..... D26/63

\* cited by examiner

*Primary Examiner* — Brian N. Vinson

(74) *Attorney, Agent, or Firm* — Jie Yang; Zan IP LLC

(57) **CLAIM**

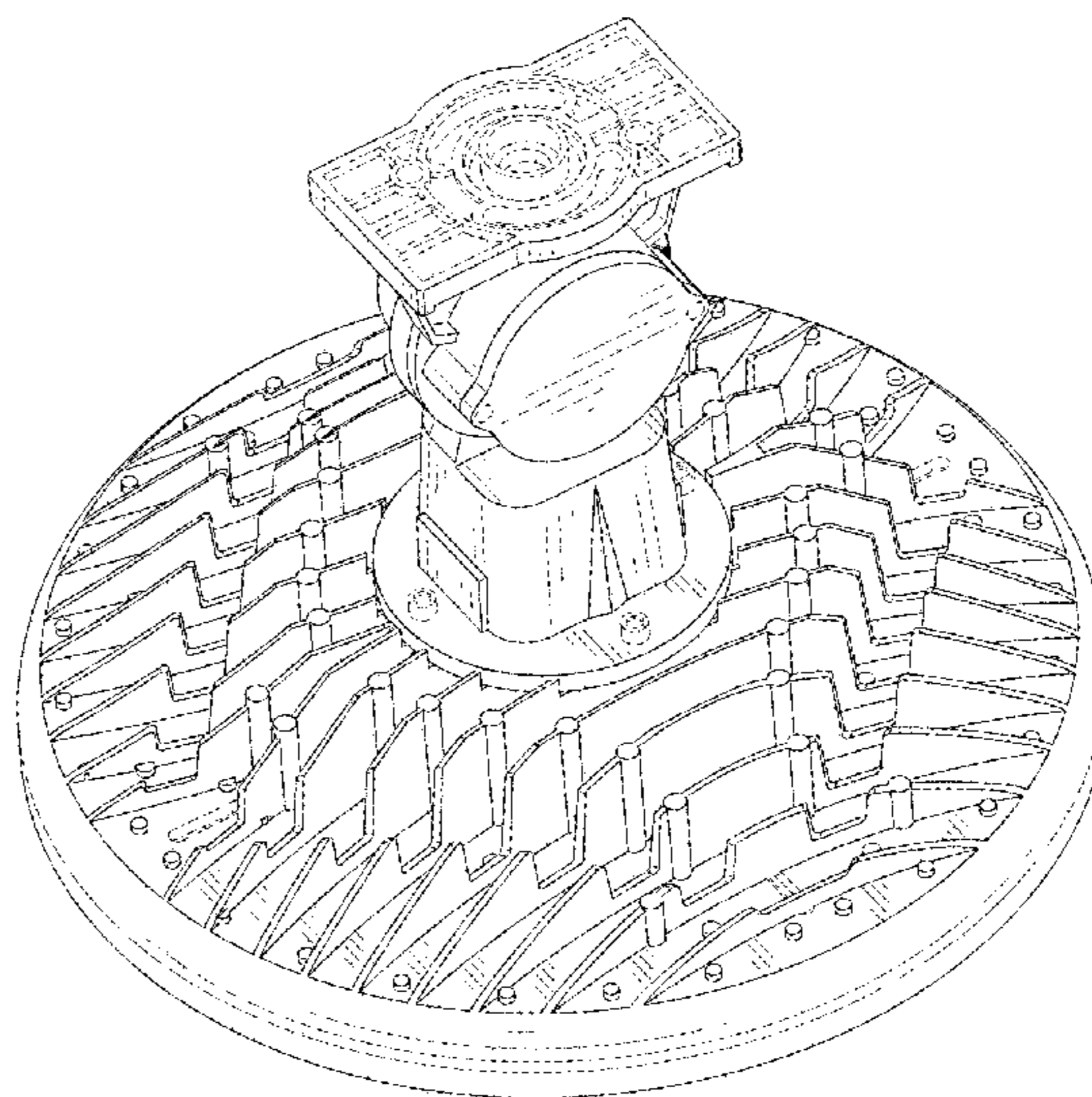
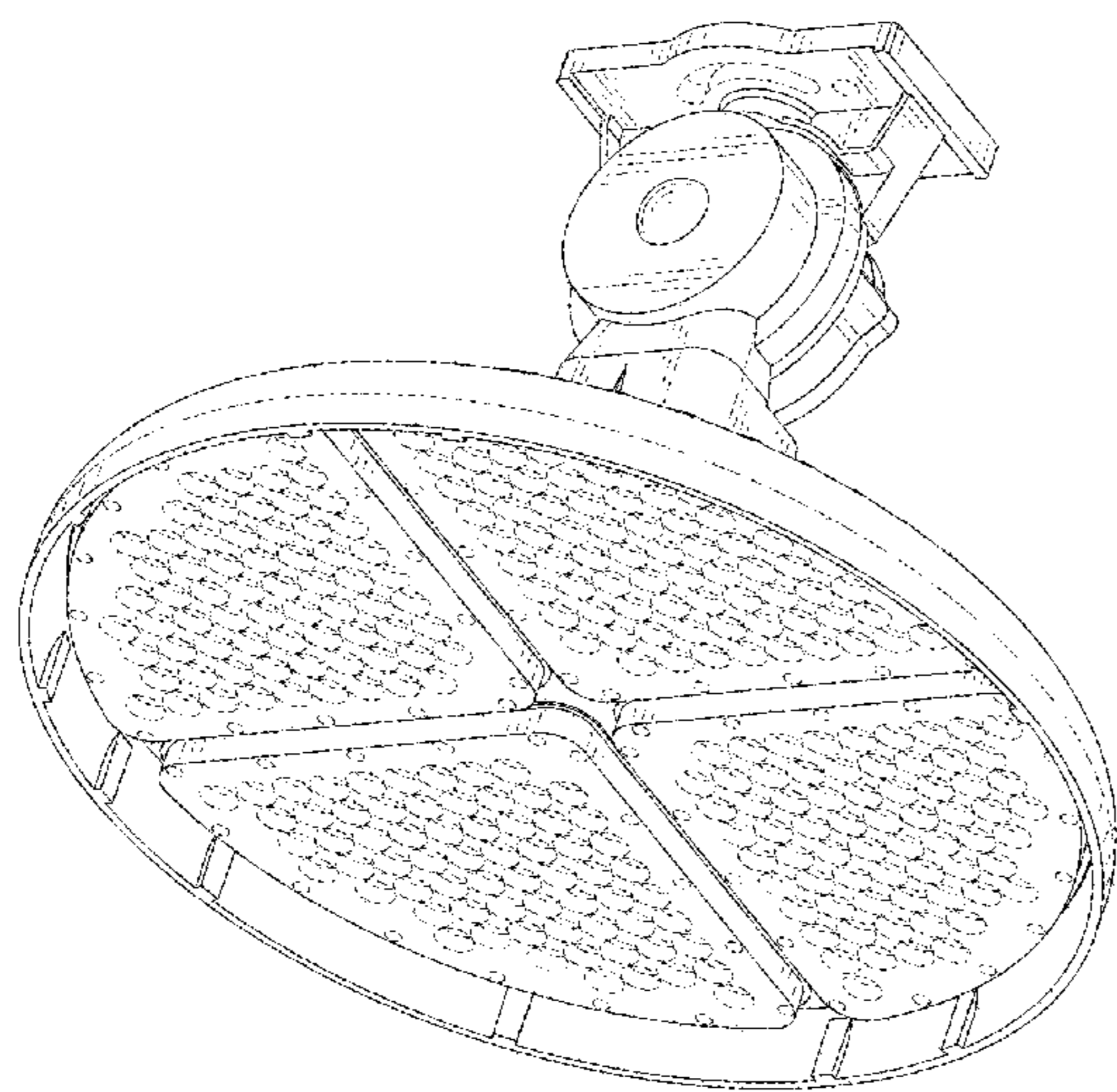
The ornamental design for an LED high mast light, as shown and described.

**DESCRIPTION**

FIG. 1 is a front view of a first embodiment of an LED high mast light showing my design;  
FIG. 2 is a back view of the first embodiment thereof;  
FIG. 3 is a left side view of the first embodiment thereof;  
FIG. 4 is a right side view of the first embodiment thereof;  
FIG. 5 is a top view of the first embodiment thereof;  
FIG. 6 is a bottom view of the first embodiment thereof;  
FIG. 7 is a first perspective view of the first embodiment thereof; and,  
FIG. 8 is a second perspective view of the first embodiment thereof.

The broken lines shown in the drawings depict portions of the LED high mast light in which the design is embodied that form no part of the claimed design.

**1 Claim, 8 Drawing Sheets**



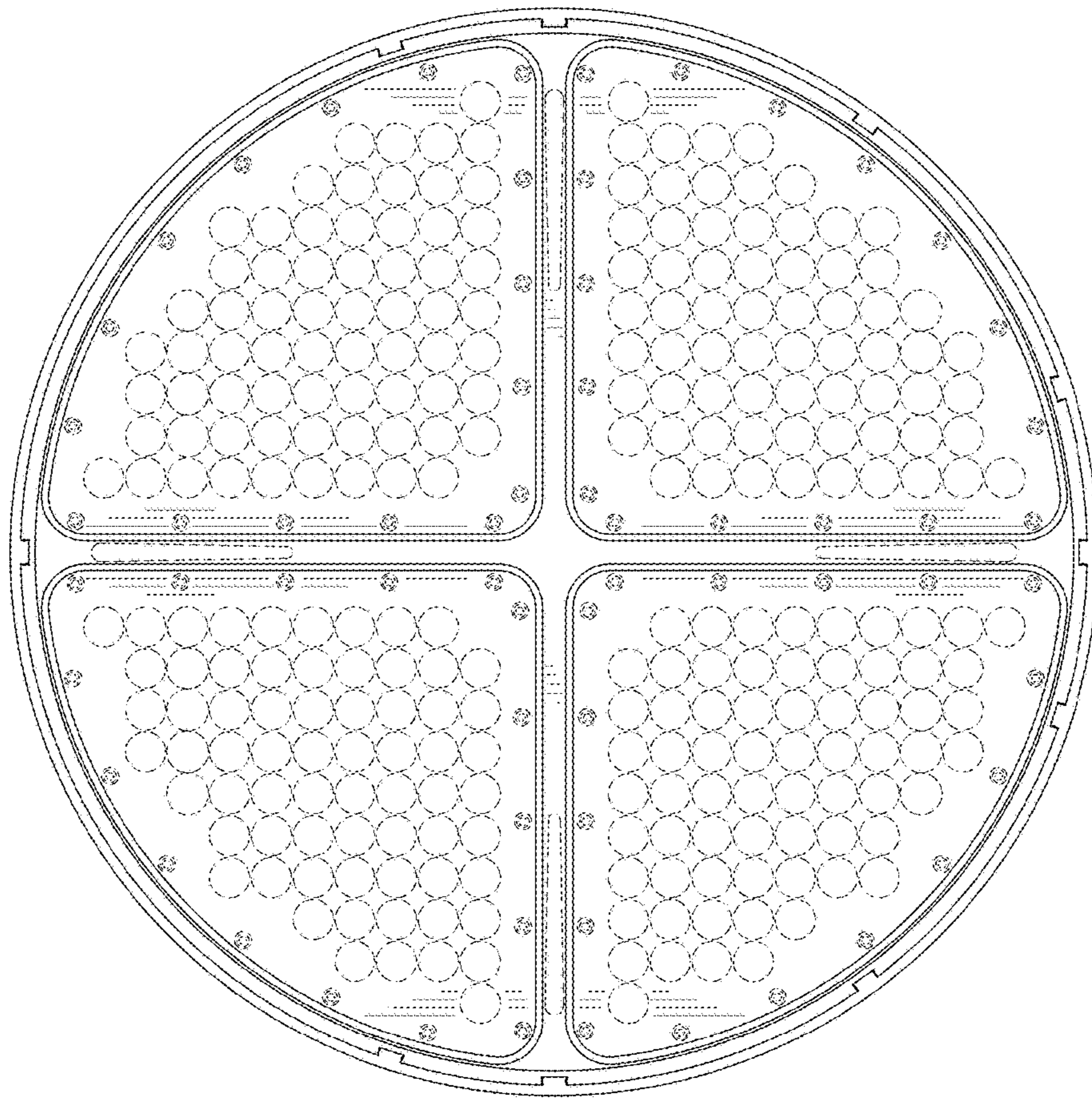


FIG. 1



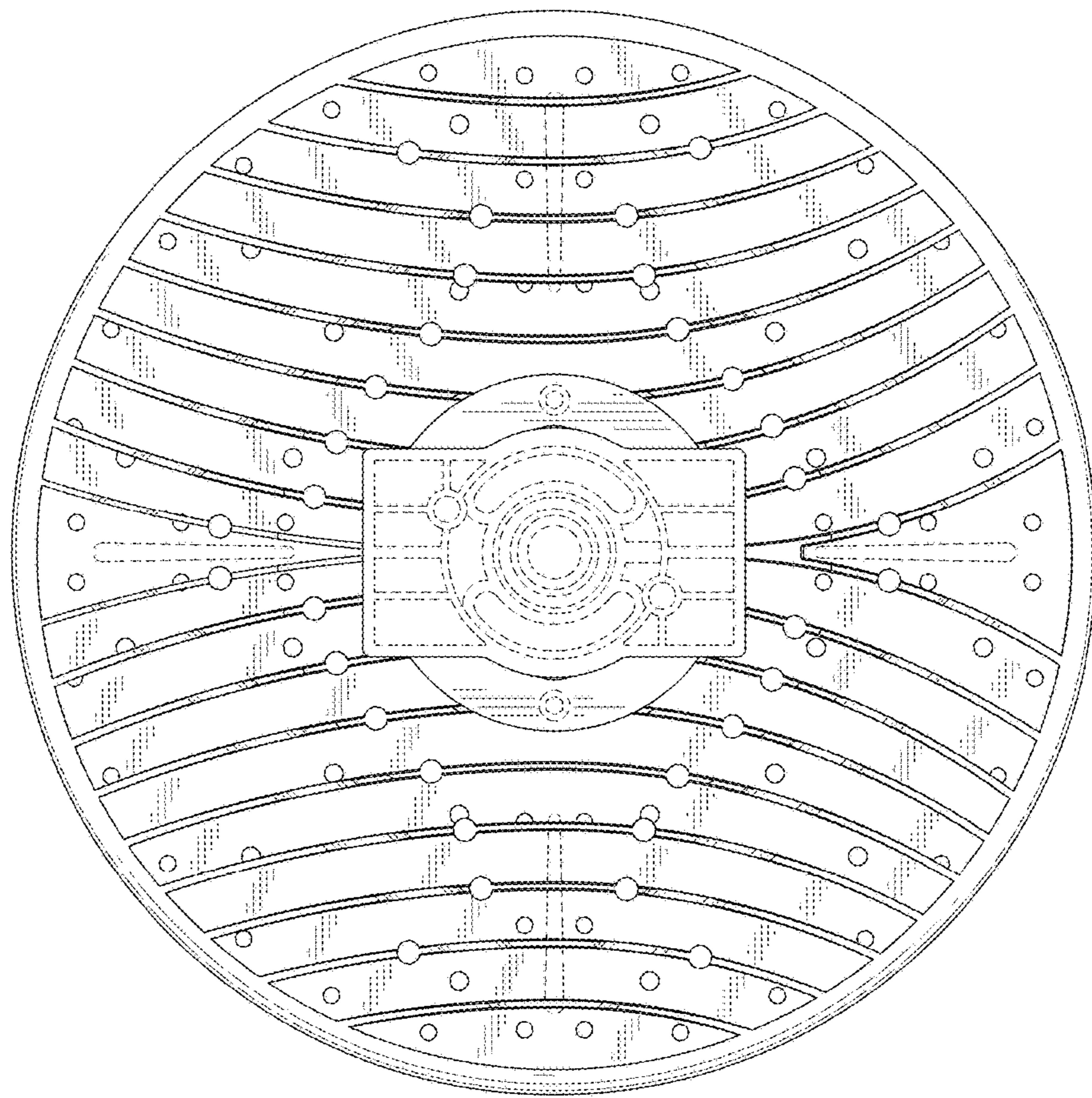


FIG. 2

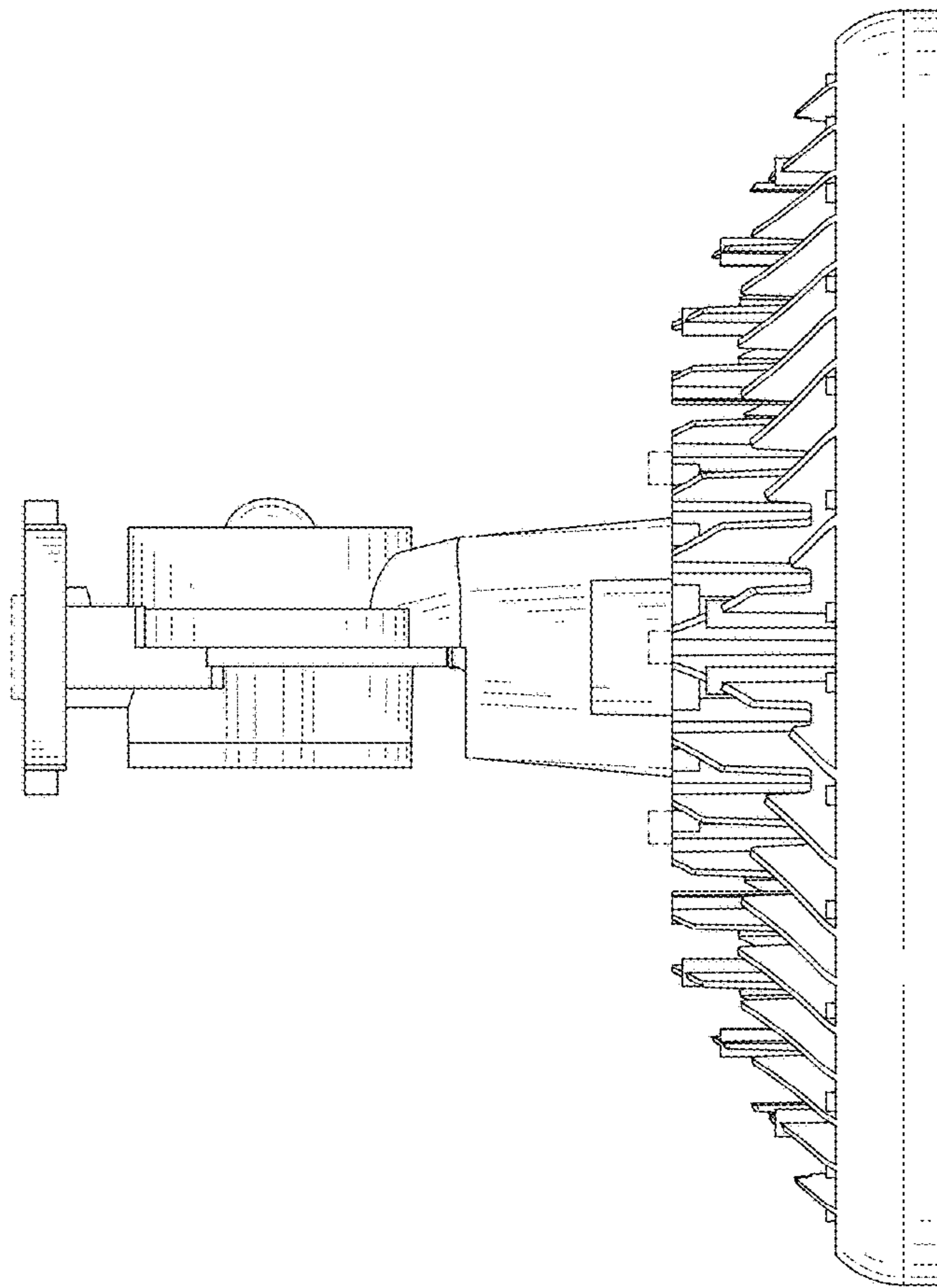


FIG. 3

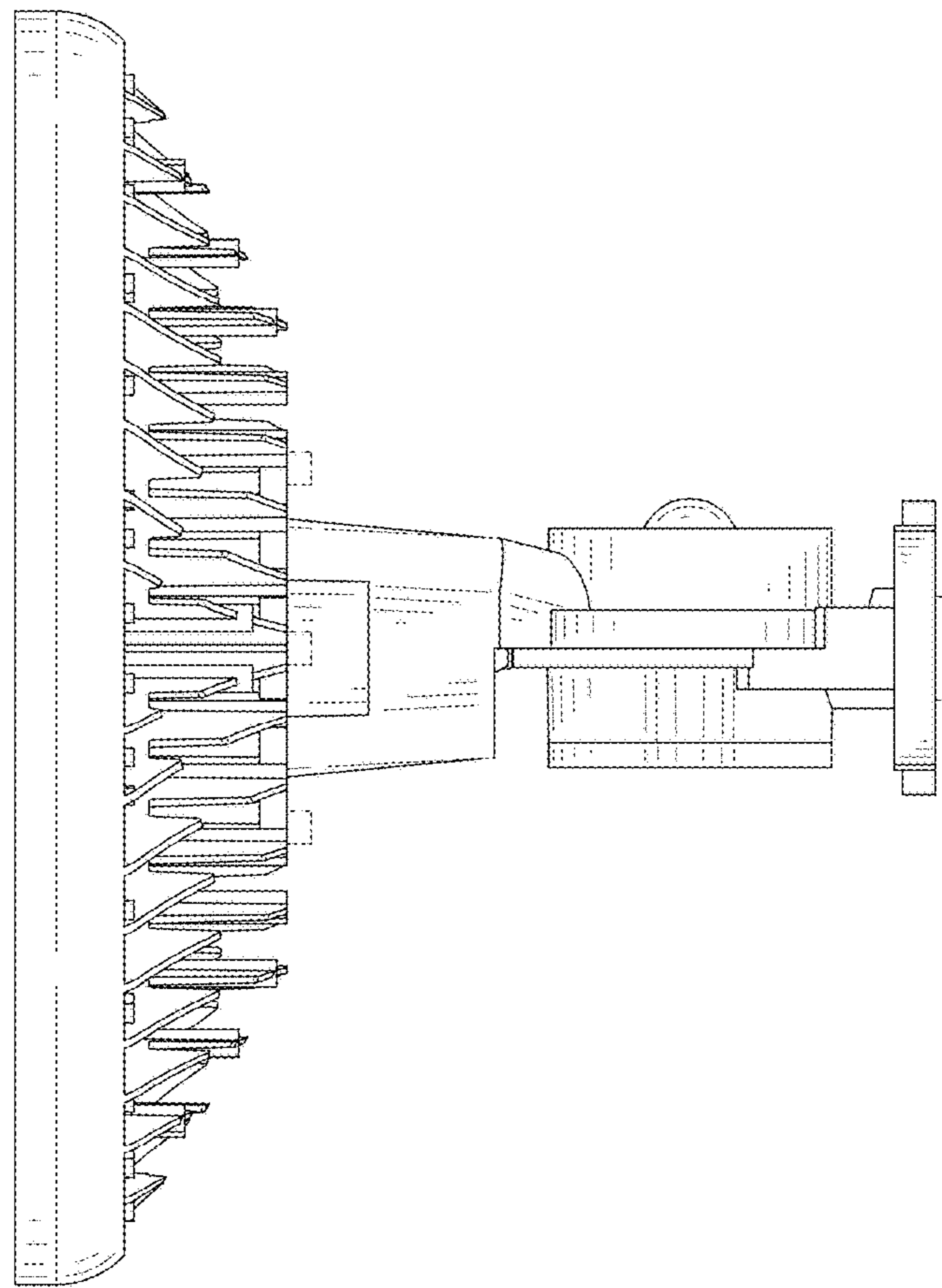


FIG. 4

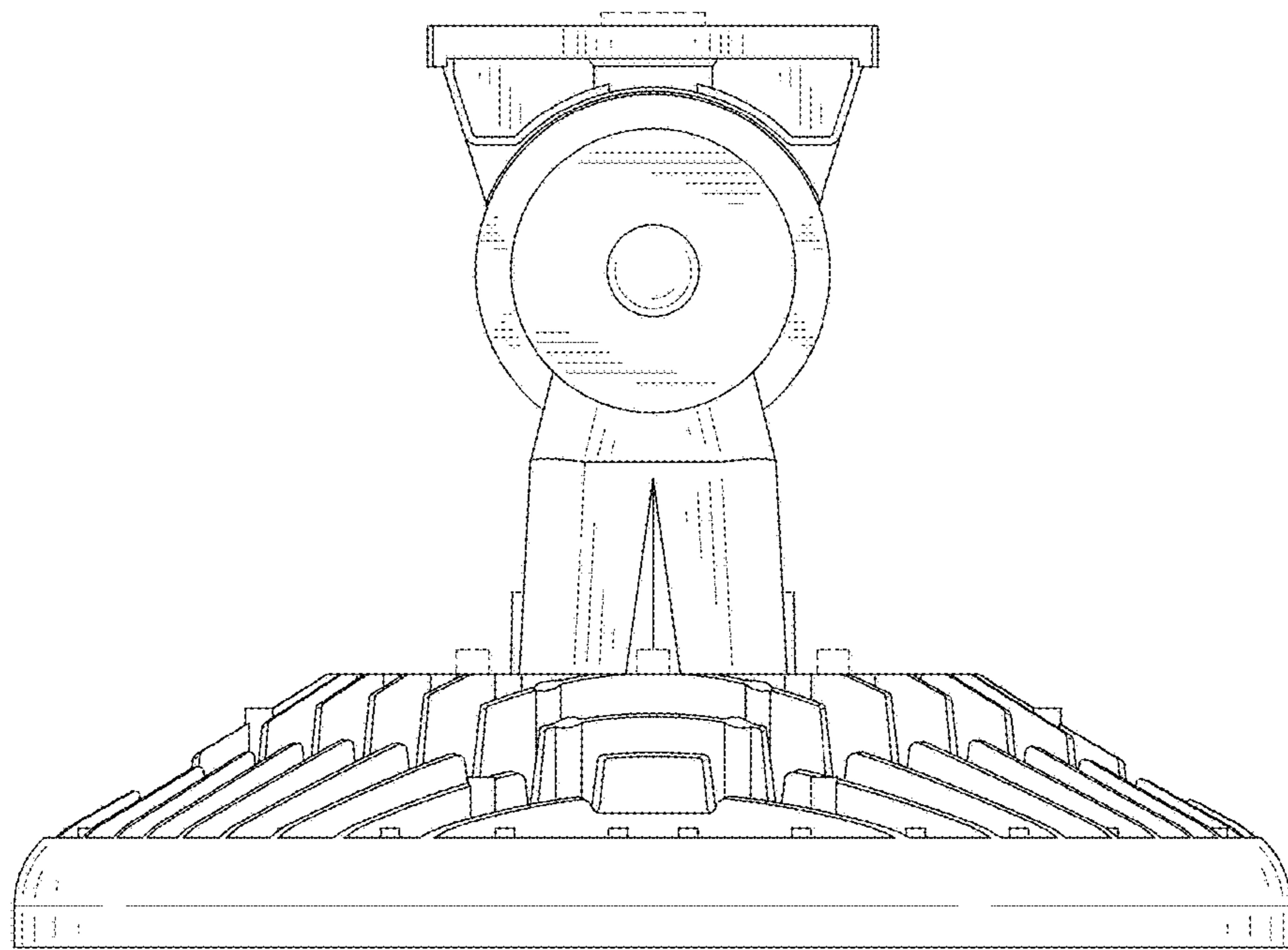


FIG. 5

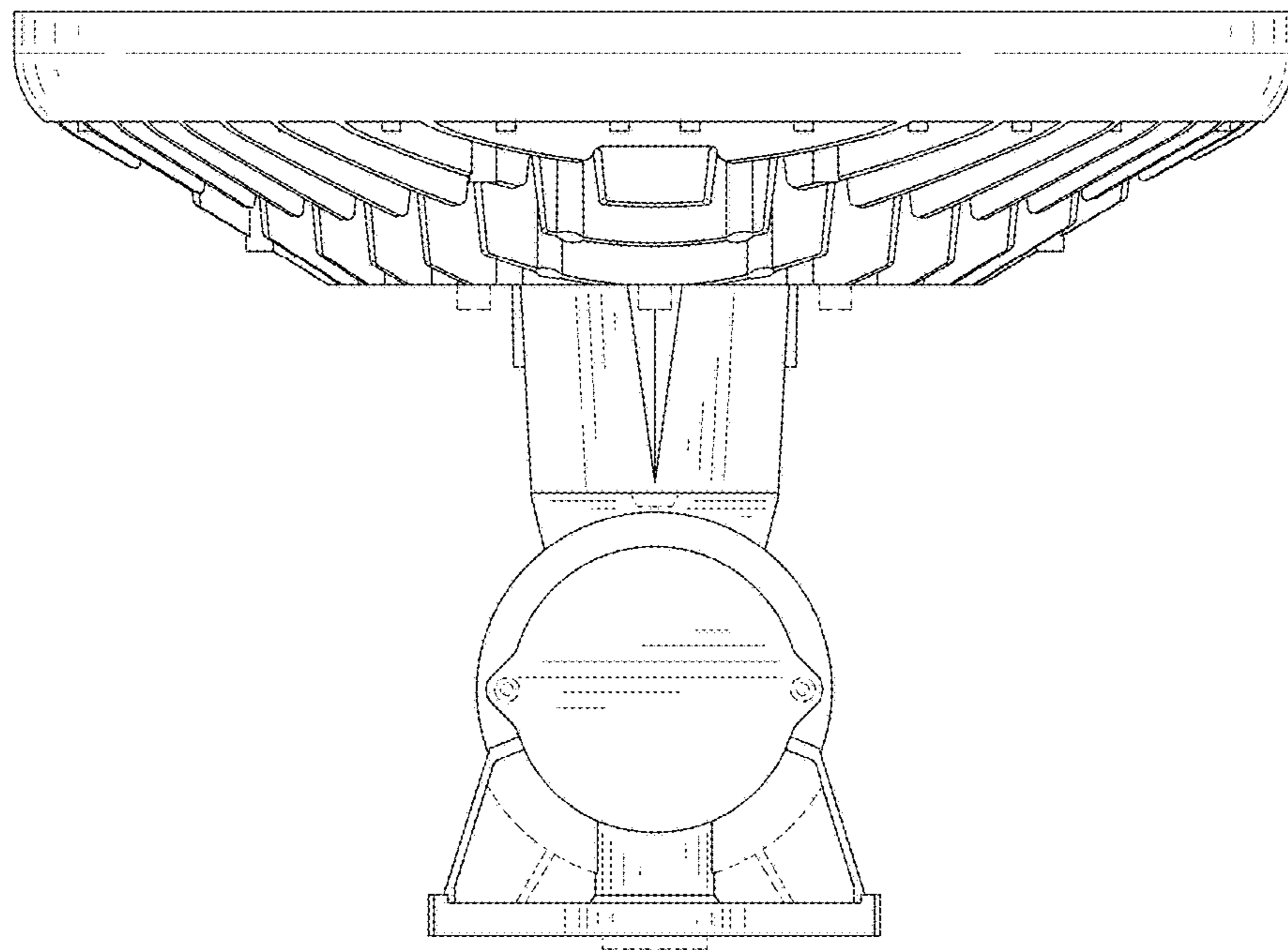


FIG. 6



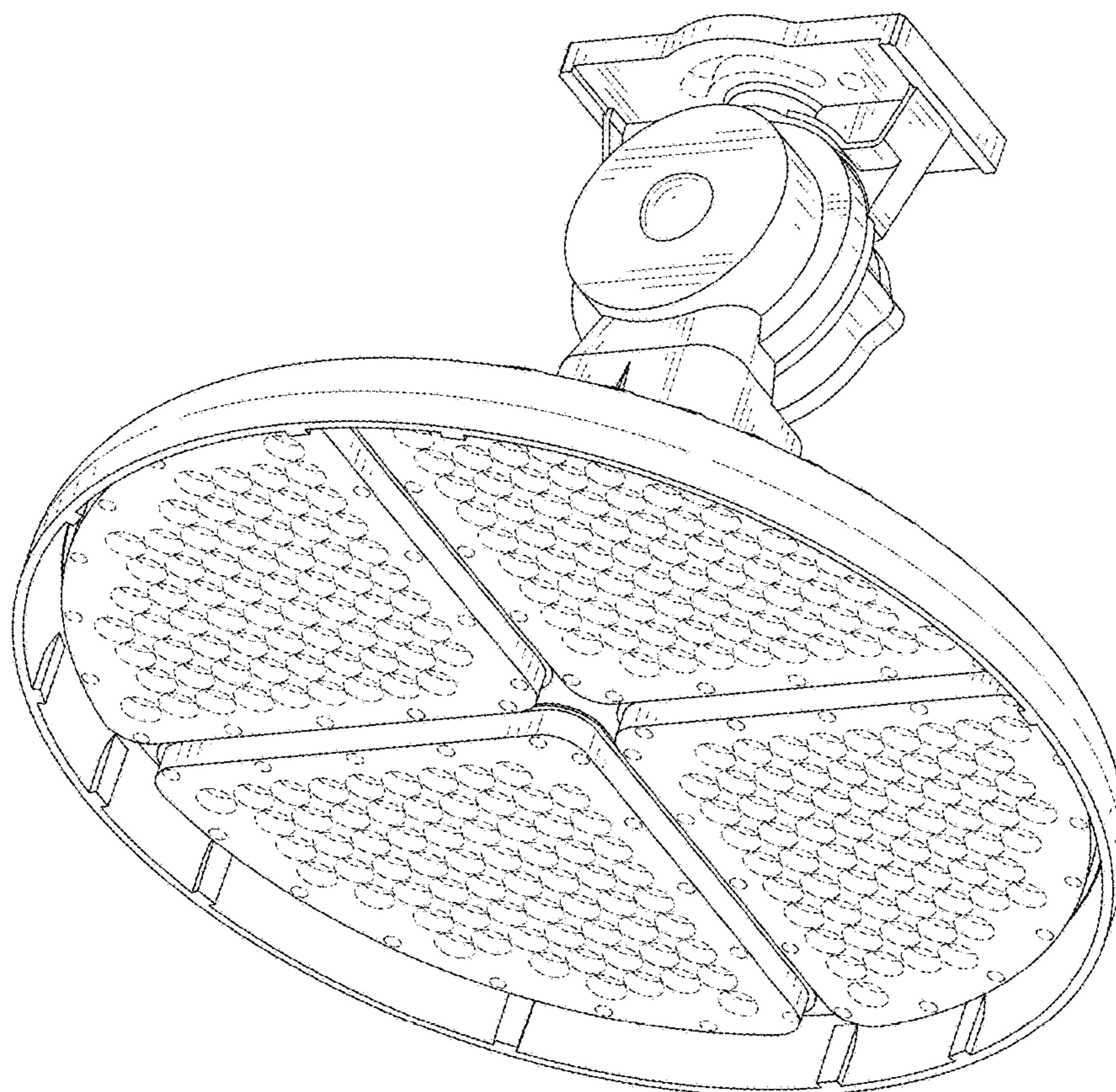


FIG. 7



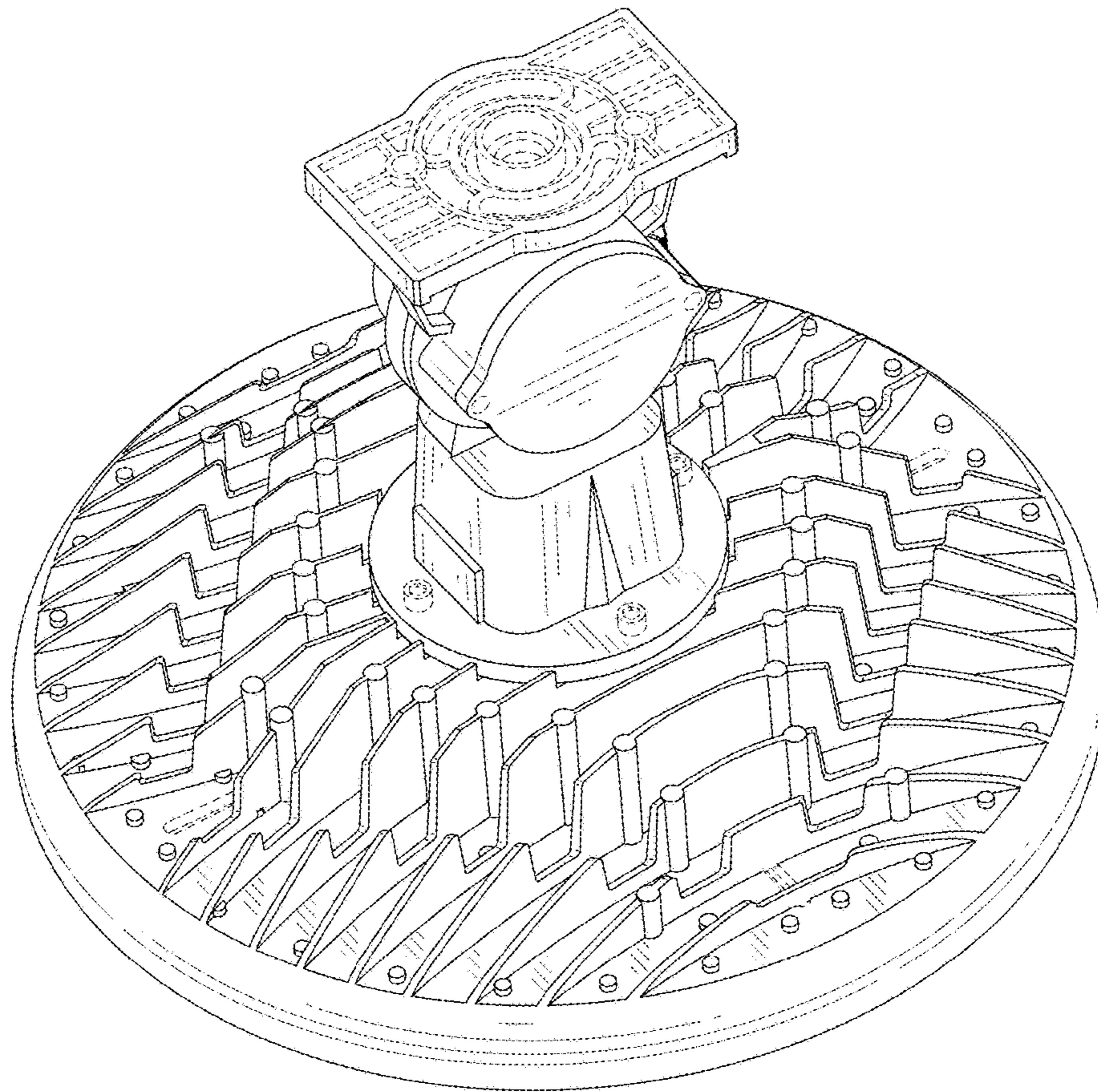


FIG. 8