



US00D855245S

(12) **United States Design Patent**  
**Chami et al.**

(10) **Patent No.:** **US D855,245 S**

(45) **Date of Patent:** **\*\* Jul. 30, 2019**

(54) **CANOPY LIGHT FIXTURE WITH BACK-UP BATTERY HOUSING**

(71) Applicant: **MaxLite, Inc.**, West Caldwell, NJ (US)

(72) Inventors: **Aymen Chami**, Hackettstown, NJ (US);  
**Eric Clohosey**, East Rutherford, NJ (US); **Jun Xiang**, Parsippany, NJ (US)

(73) Assignee: **MAXLITE, Inc.**, West Caldwell, NJ (US)

(\*\*) Term: **15 Years**

(21) Appl. No.: **29/626,886**

(22) Filed: **Nov. 21, 2017**

(51) **LOC (11) Cl.** ..... **26-99**

(52) **U.S. Cl.**  
USPC ..... **D26/118**

(58) **Field of Classification Search**  
USPC ..... D26/74, 24, 72, 75, 76, 78, 79, 81, 82,  
D26/88, 89, 91, 113, 118, 119, 120, 138,  
D26/141, 142  
CPC ..... F21V 21/04; F21V 21/041; F21V 7/005;  
F21Y 2111/002; F21S 8/026; F21S 8/02;  
F21S 8/04  
See application file for complete search history.

(56) **References Cited**

**U.S. PATENT DOCUMENTS**

2,474,308 A \* 6/1949 Franck ..... F21S 8/04  
362/224  
D475,157 S \* 5/2003 Mier-Langner ..... D26/118

D592,785 S \* 5/2009 Bisberg ..... D26/76  
D637,752 S \* 5/2011 Mekhtarian ..... D26/72  
D652,160 S \* 1/2012 Brown ..... D26/118  
D703,858 S \* 4/2014 Miller ..... D26/76  
D822,881 S \* 7/2018 Drew ..... D26/118  
D824,581 S \* 7/2018 Tweel ..... D26/118

\* cited by examiner

*Primary Examiner* — Brian N. Vinson

(74) *Attorney, Agent, or Firm* — Budzyn IP Law, LLC

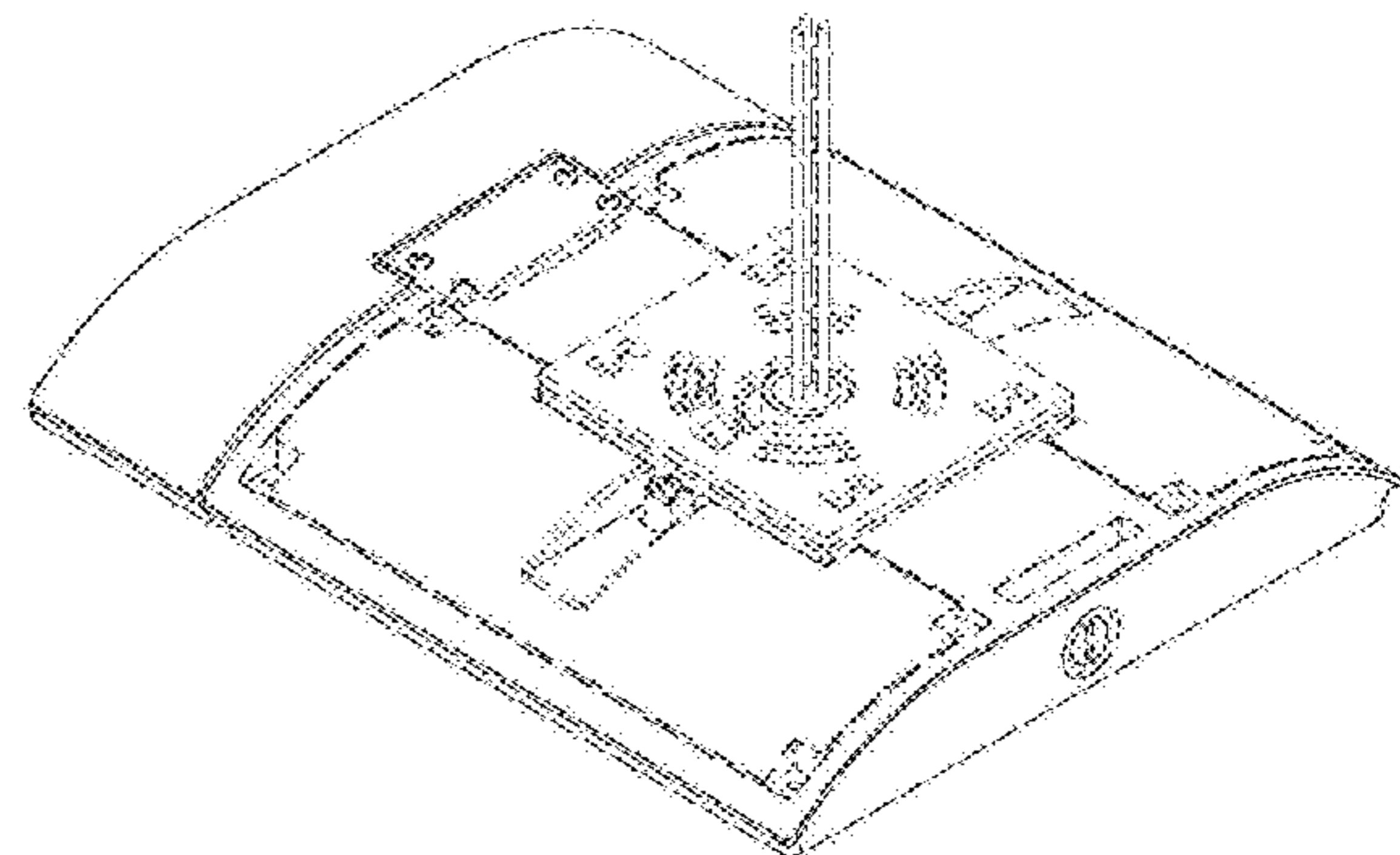
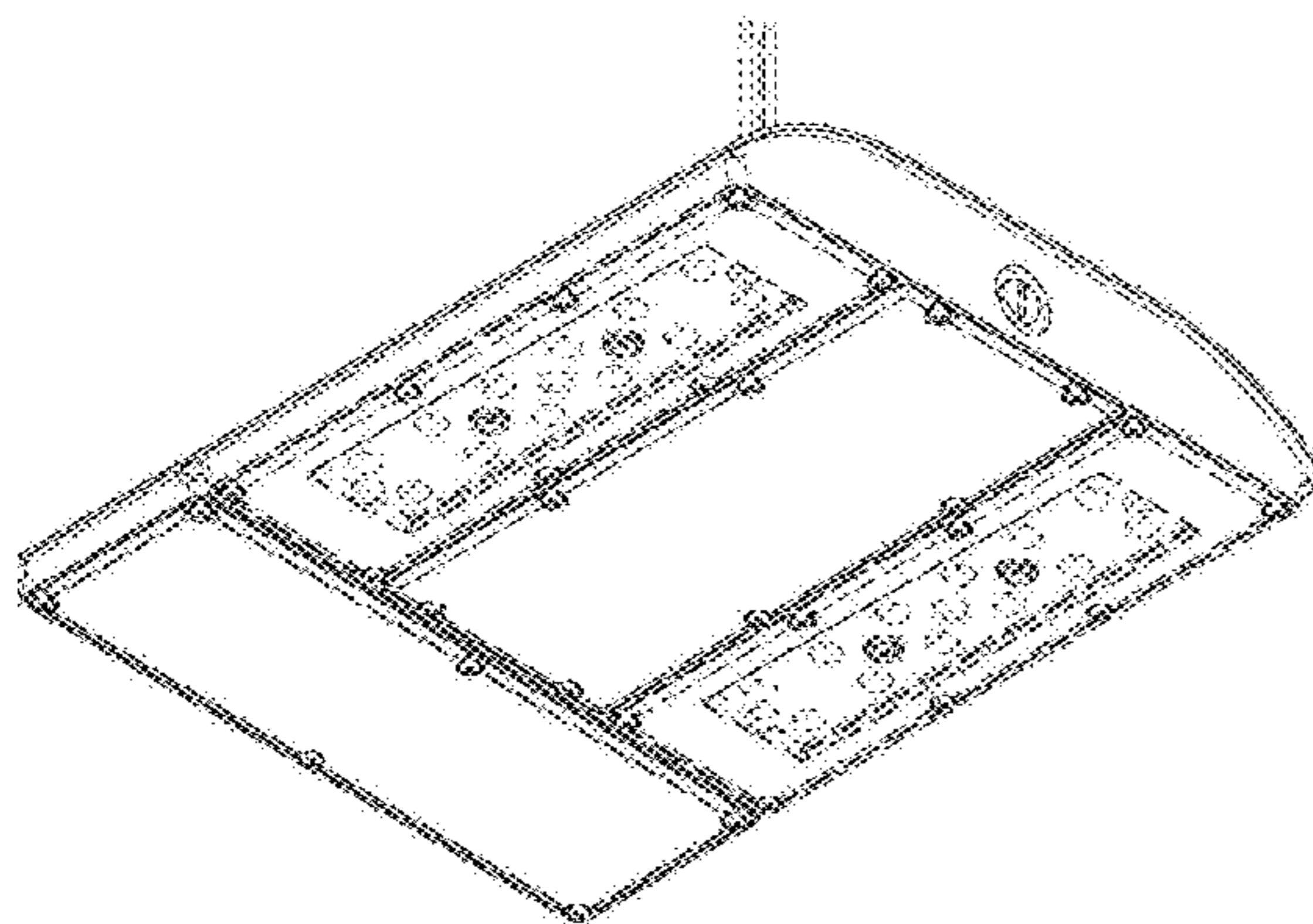
(57) **CLAIM**

The ornamental design for a canopy light fixture with back-up battery housing, as shown and described.

**DESCRIPTION**

FIG. 1 is a bottom, front perspective view of a canopy light fixture with back-up battery housing;  
FIG. 2 is a bottom, rear perspective view thereof;  
FIG. 3 is a top, front perspective view thereof;  
FIG. 4 is a top, rear perspective view thereof;  
FIG. 5 is a front elevational view thereof;  
FIG. 6 is a left side elevational view thereof;  
FIG. 7 is a right side elevational view thereof;  
FIG. 8 is a rear elevational view thereof;  
FIG. 9 is a top plan view thereof; and,  
FIG. 10 is a bottom plan view thereof.  
The broken lines represent elements which form no part of the claimed design.

**1 Claim, 10 Drawing Sheets**



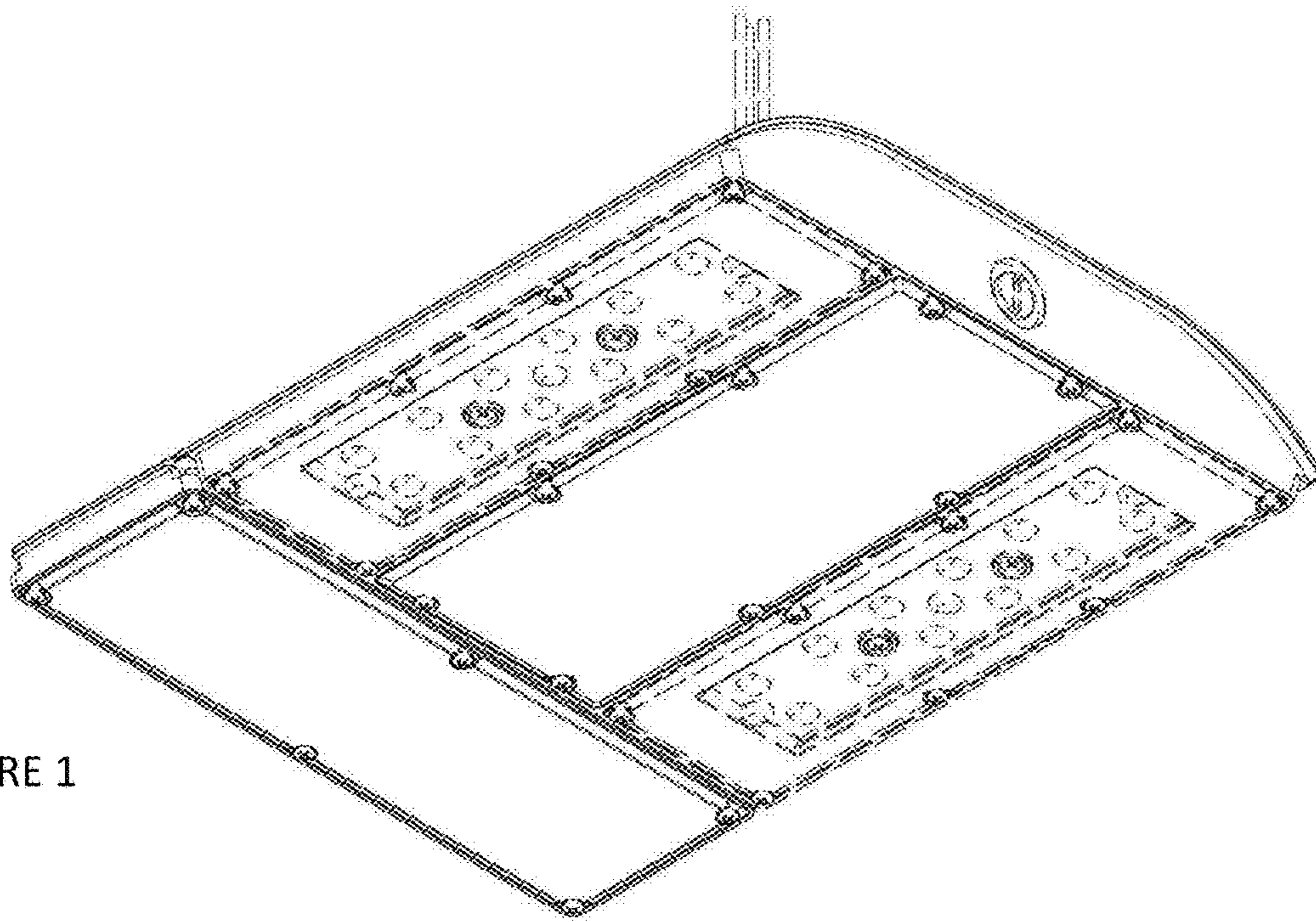


FIGURE 1

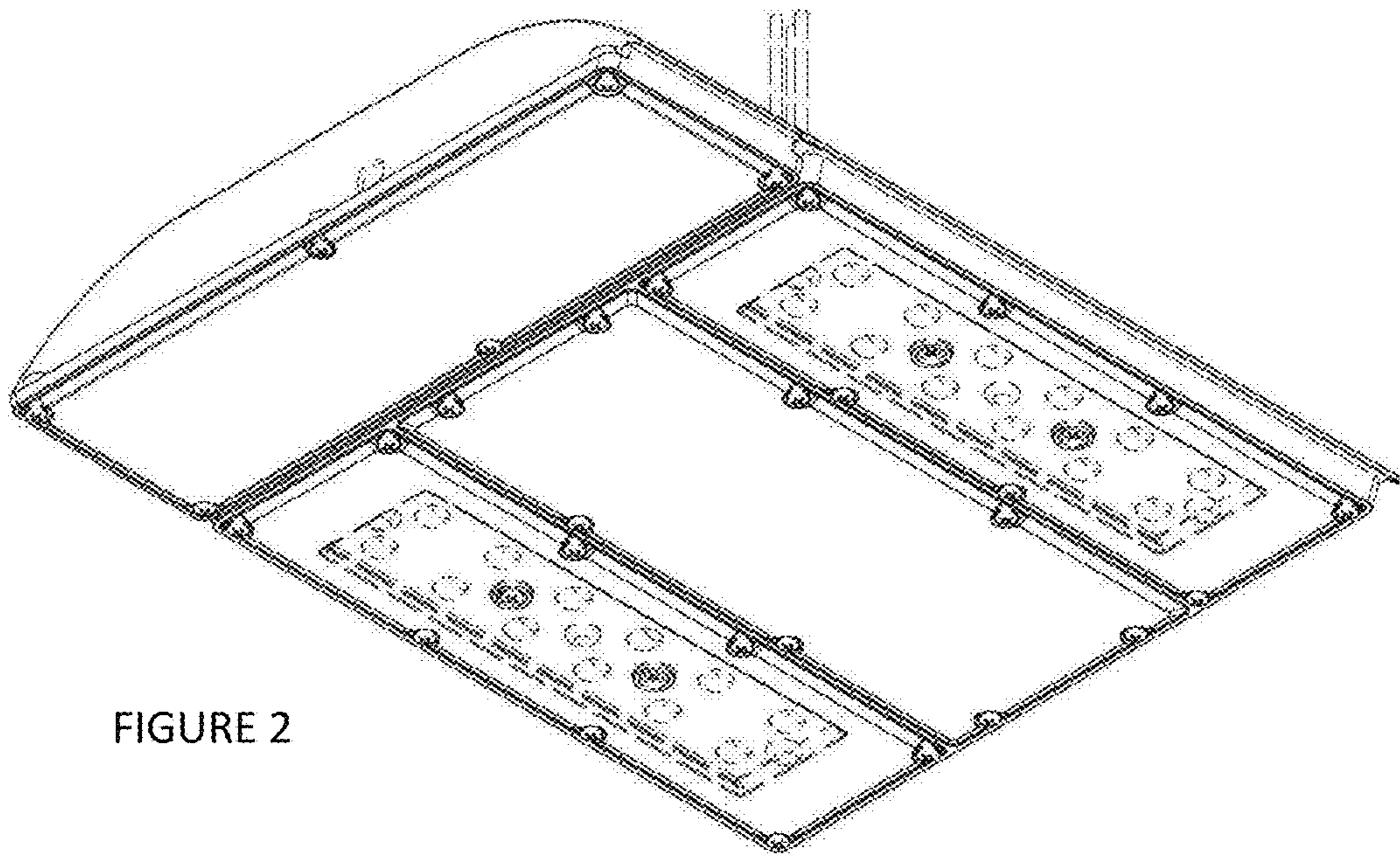


FIGURE 2

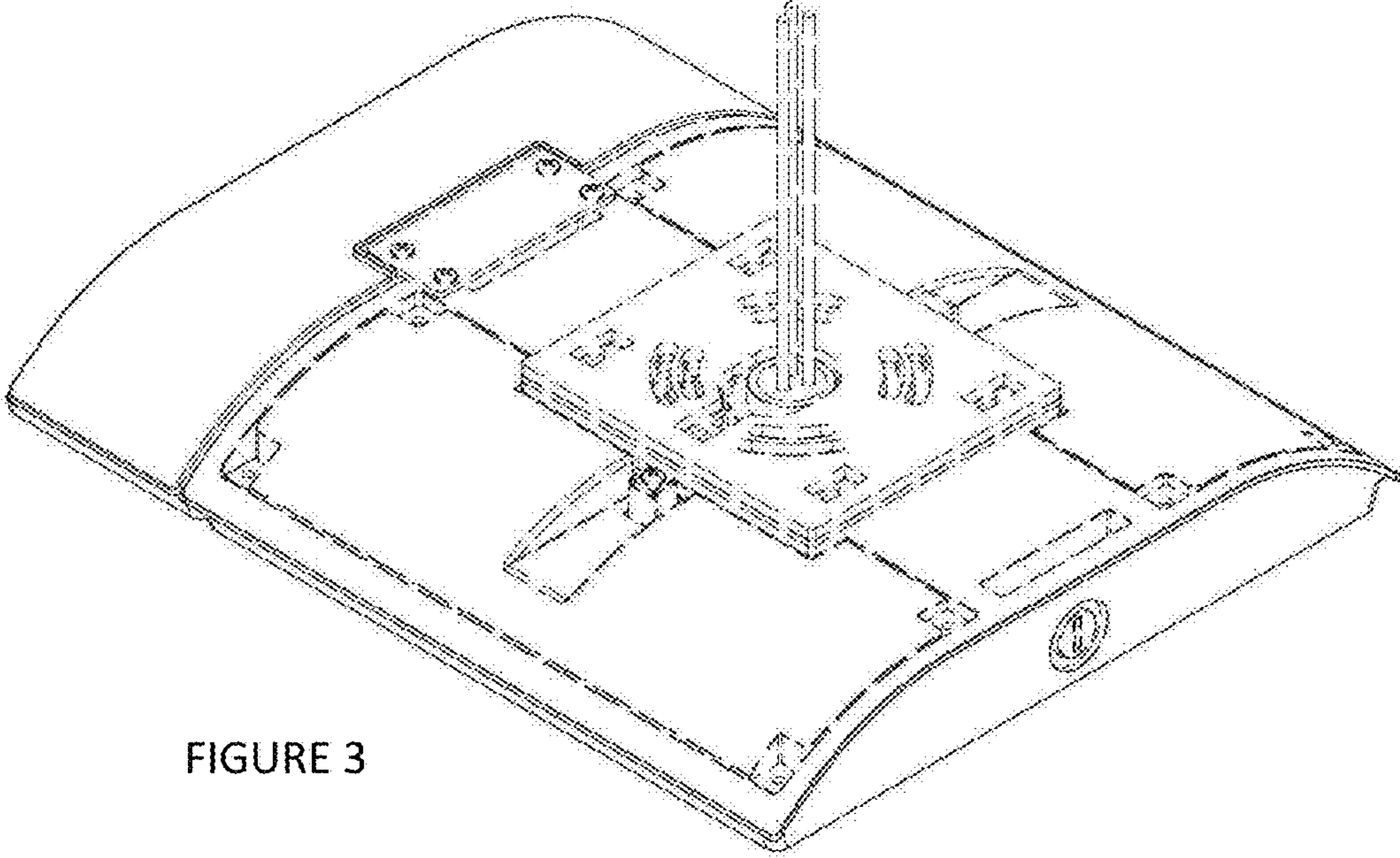


FIGURE 3

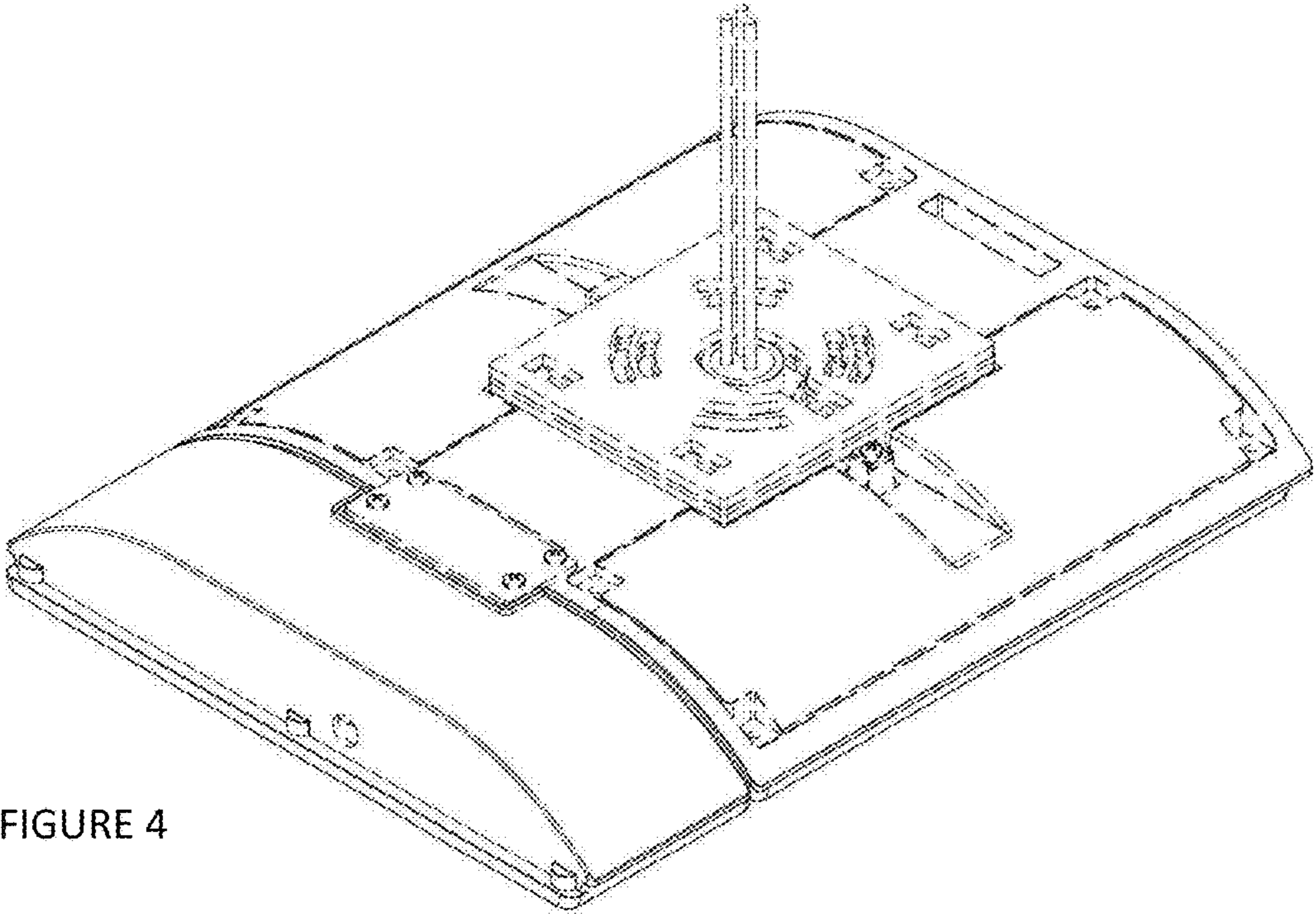


FIGURE 4

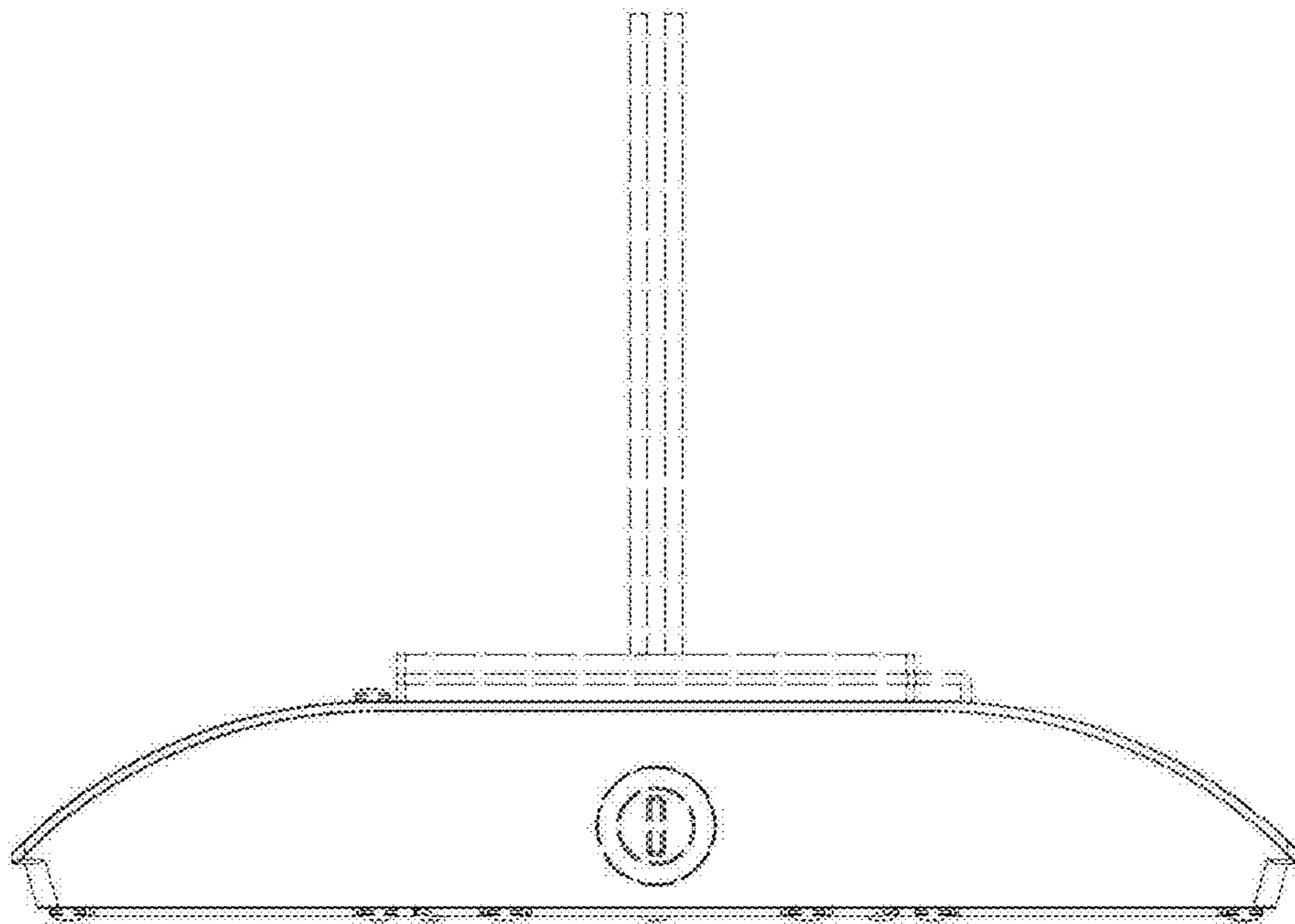


FIGURE 5

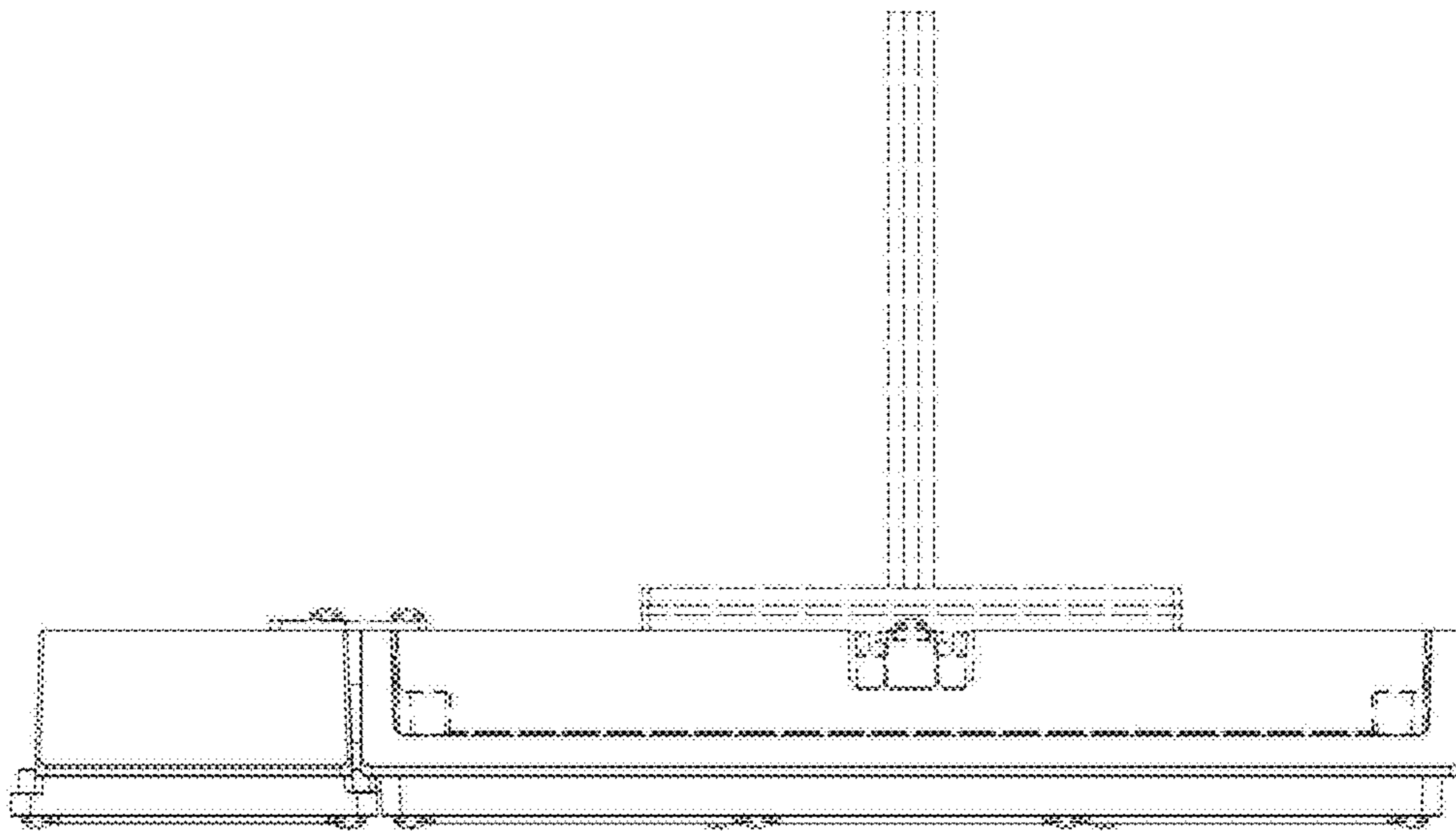


FIGURE 6

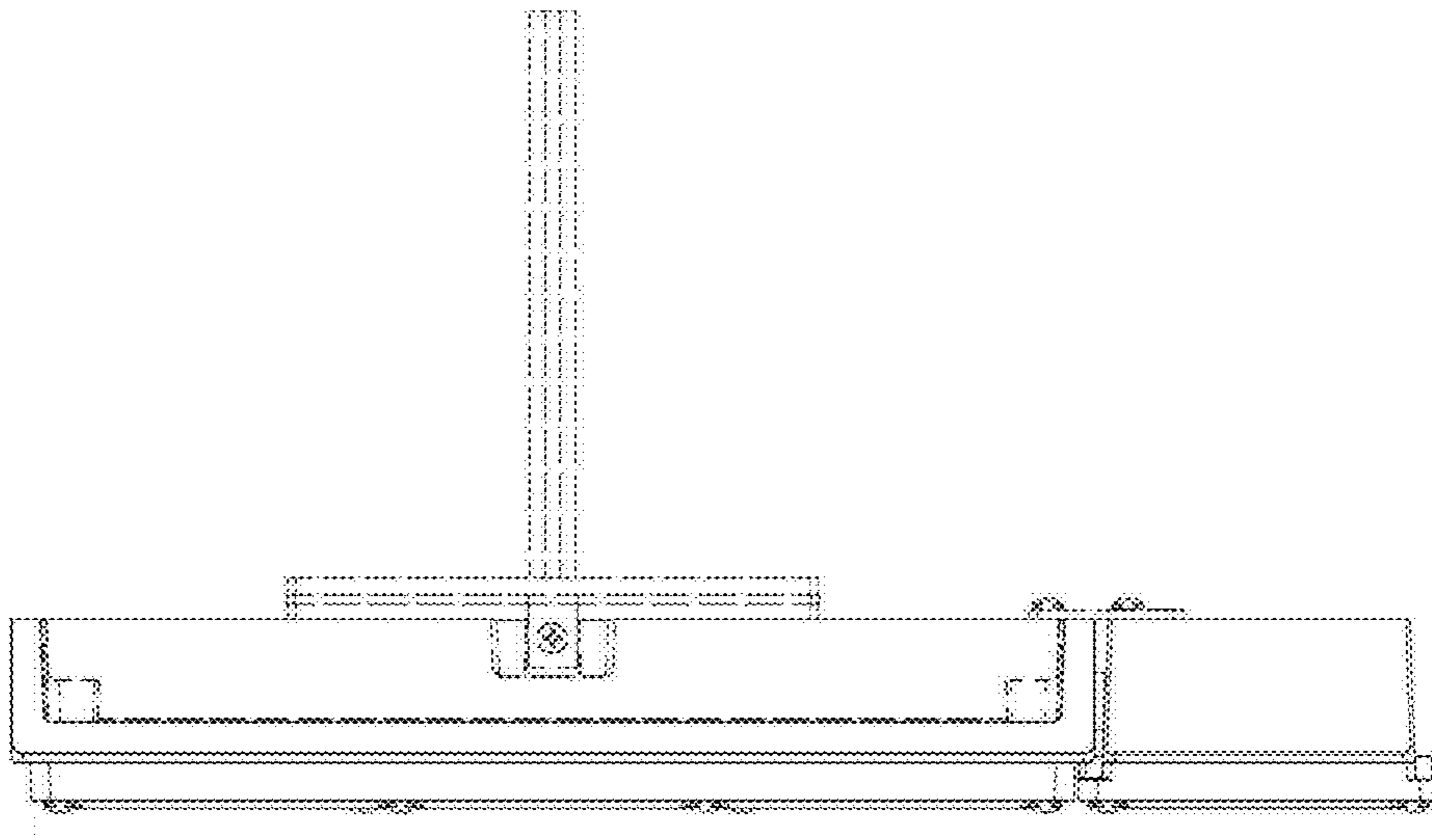


FIGURE 7



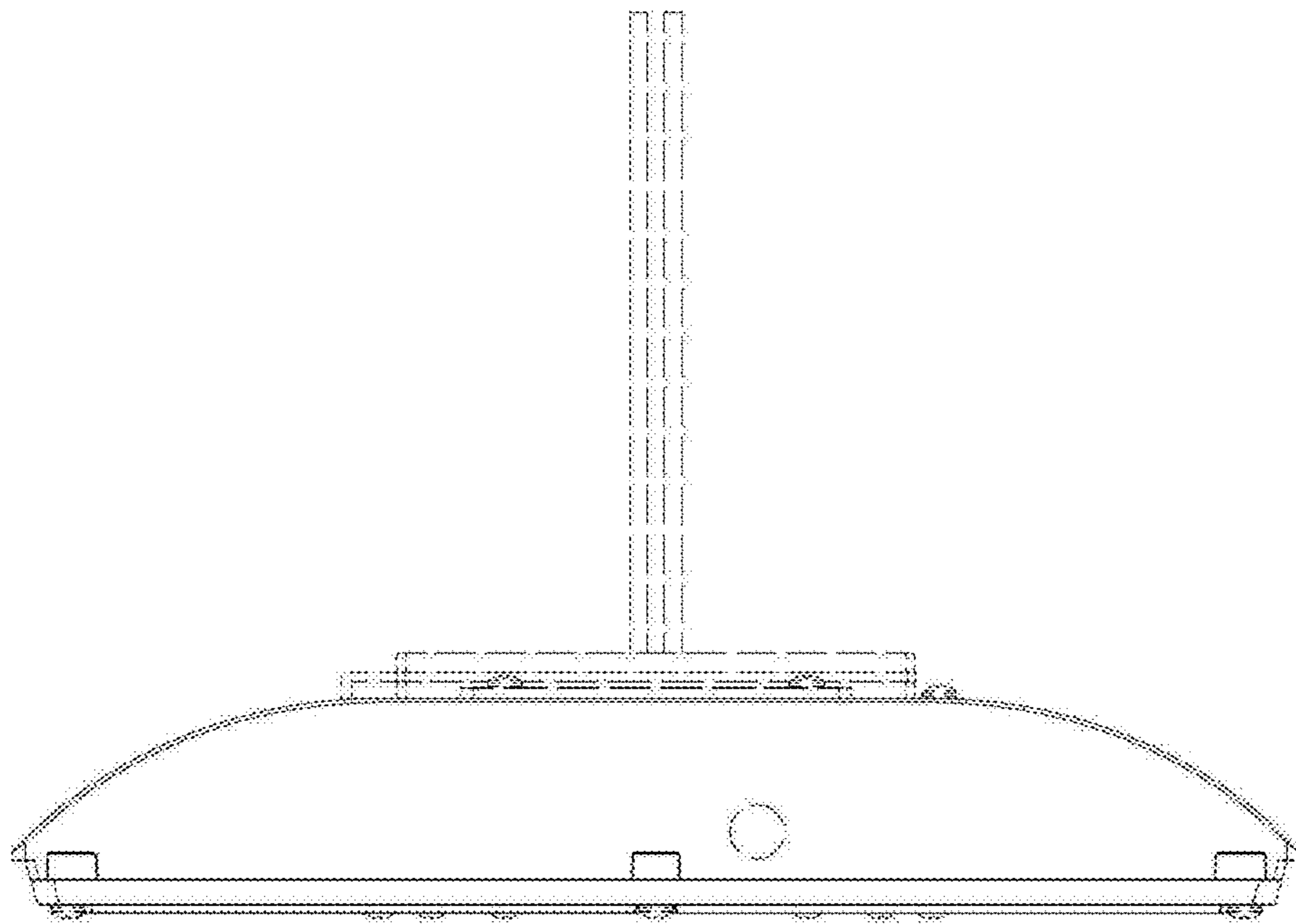


FIGURE 8

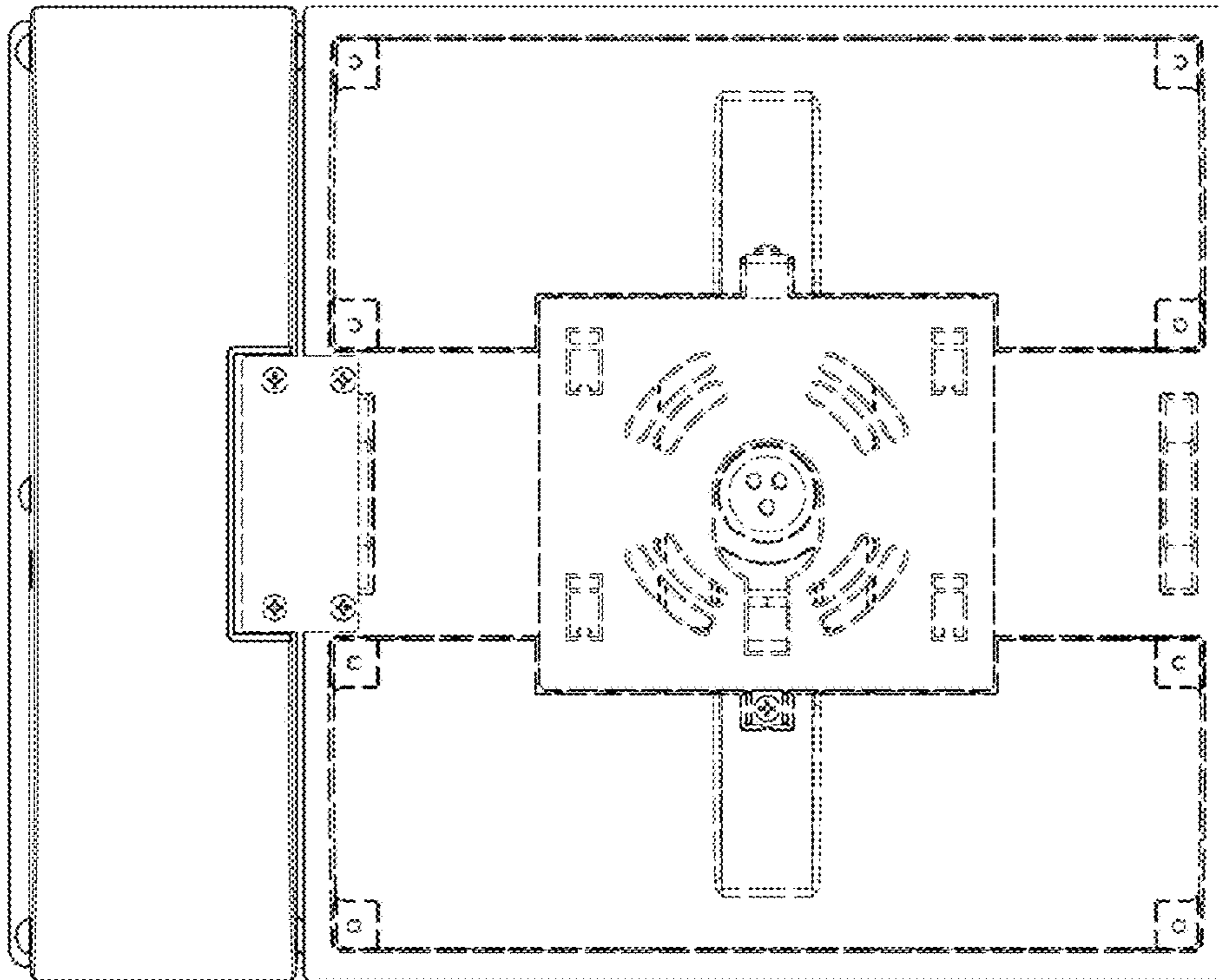


FIGURE 9

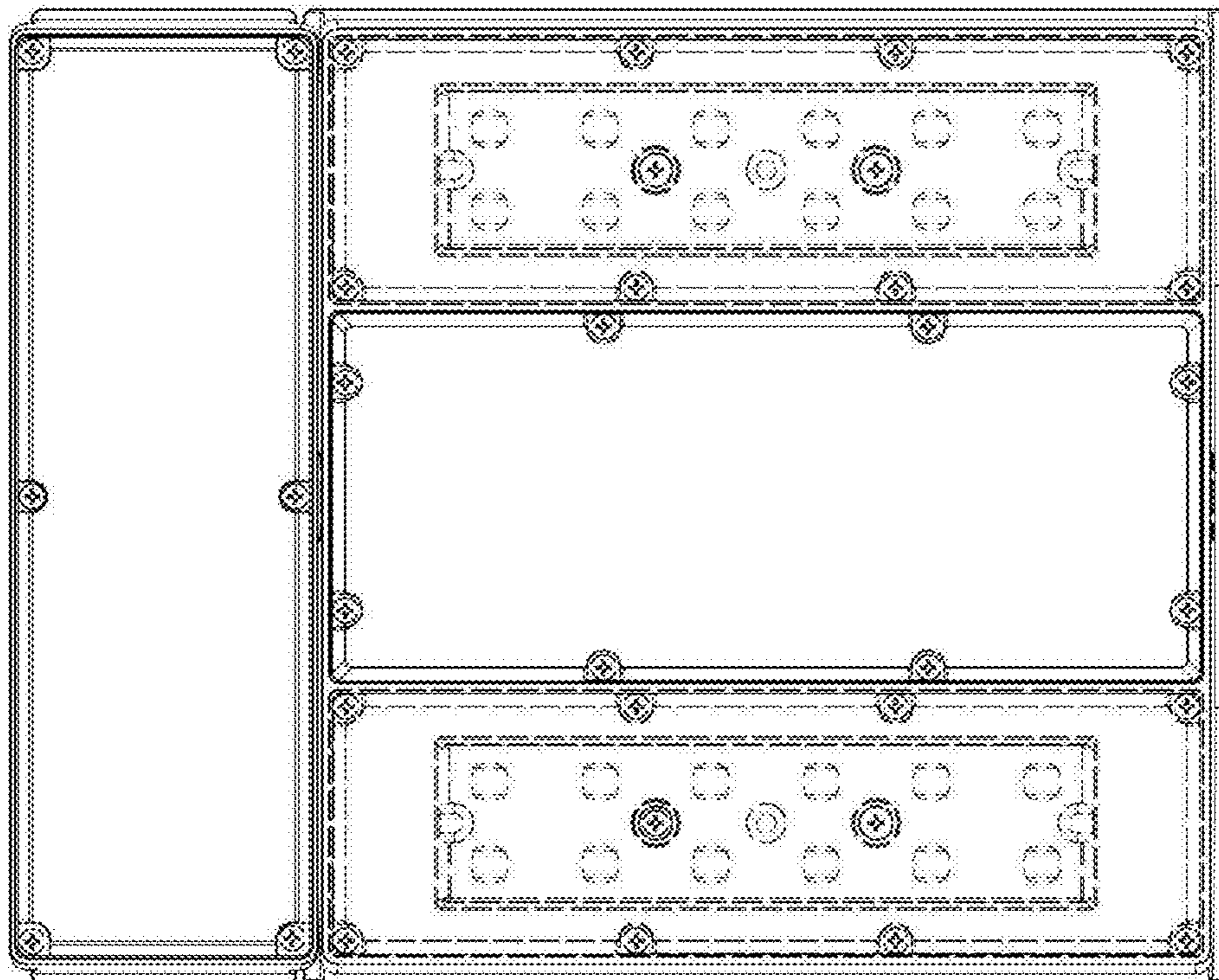


FIGURE 10