



US00D855241S

(12) **United States Design Patent**
Xu et al.

(10) **Patent No.:** **US D855,241 S**
(45) **Date of Patent:** **** Jul. 30, 2019**

(54) **TABLE LAMP**

D769,510 S * 10/2016 Kao D26/99
D773,104 S * 11/2016 Kulbaski D26/94
D792,013 S * 7/2017 McHugh D26/94

(71) Applicant: **SEED TECHNOLOGIES CORP., LTD.**, Zhuzhou, Hunan (CN)

* cited by examiner

(72) Inventors: **Yuehua Xu**, Hunan (CN); **Hua Yu**, Hunan (CN)

Primary Examiner — Brian N. Vinson
(74) *Attorney, Agent, or Firm* — Yue (Robert) Xu; Apex Attorneys at Law, LLP

(73) Assignee: **SEED TECHNOLOGIES CORP., LTD.**, Zhuzhou, Hunan (CN)

(57) **CLAIM**

The ornamental design for a table lamp, as shown and described.

(**) Term: **15 Years**

DESCRIPTION

(21) Appl. No.: **29/609,541**

FIG. 1 is a front view of a table lamp according to the present application;
FIG. 2 is a rear view of the table lamp according to the present application;
FIG. 3 is a left view of the table lamp according to the present application;
FIG. 4 is a right view of the table lamp according to the present application;
FIG. 5 is a top view of the table lamp according to the present application;
FIG. 6 is a bottom view of the table lamp according to the present application;
FIG. 7 is a perspective view of the table lamp according to the present application;
FIG. 8 is an enlarged view of “portion A” in FIG. 1 of the table lamp according to the present application; and
FIG. 9 is an enlarged view of “portion B” in FIG. 2 of the table lamp according to the present application; and,
FIG. 10 is an enlarged view of “portion C” in FIG. 6 of the table lamp according to the present application.

(22) Filed: **Jun. 30, 2017**

(30) **Foreign Application Priority Data**

May 5, 2017 (CN) 2017 3 0162051

(51) **LOC (11) Cl.** **26-03**

(52) **U.S. Cl.**
USPC **D26/94**

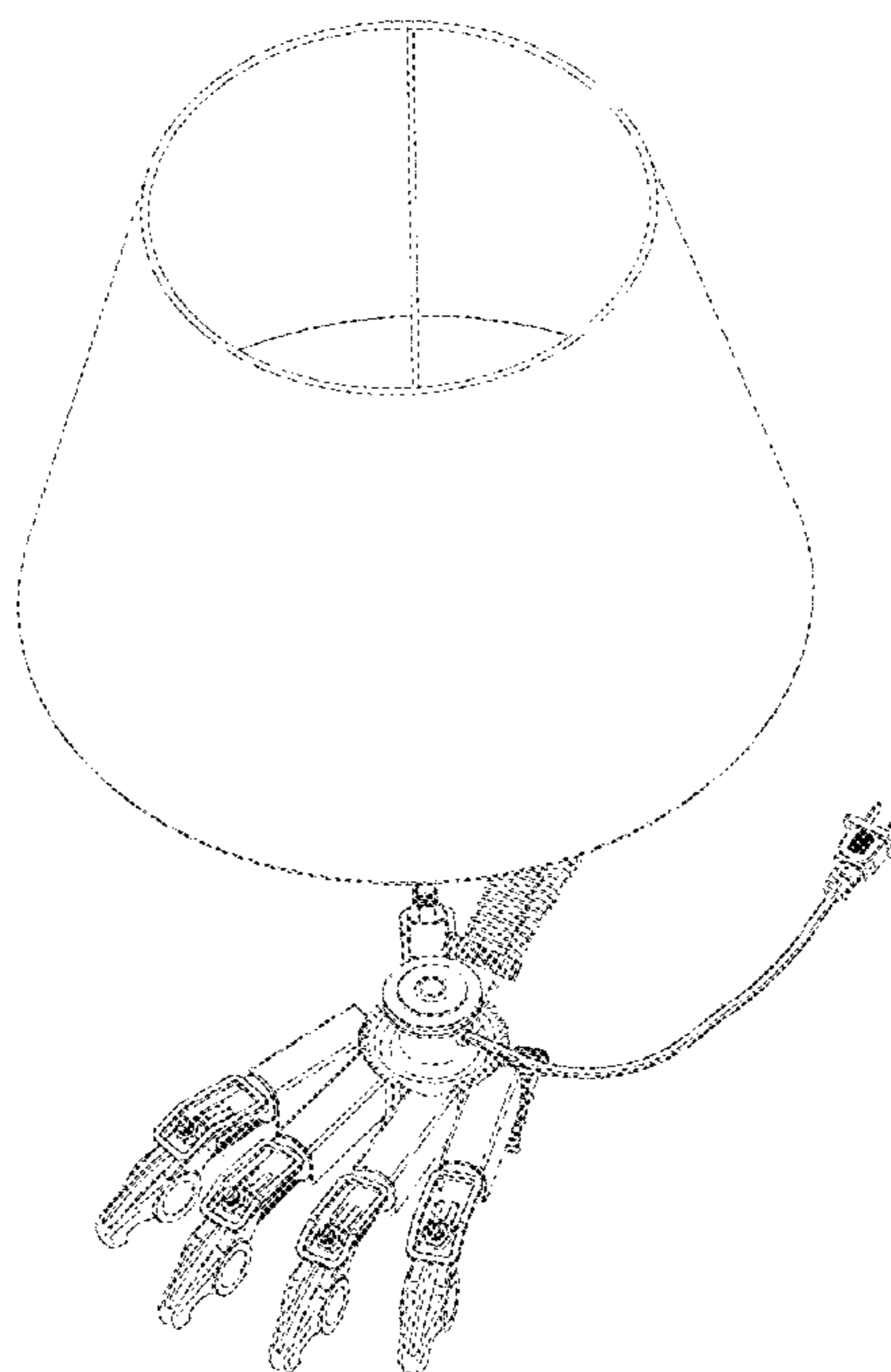
(58) **Field of Classification Search**
USPC ... D26/24, 93, 9, 106, 138, 141, 142, 94, 98
CPC ... F21S 6/00; F21S 6/002; F21S 8/043; F21V 21/02; F21V 21/116; F21W 2131/30
See application file for complete search history.

(56) **References Cited**

U.S. PATENT DOCUMENTS

D270,484 S * 9/1983 White D26/94

1 Claim, 10 Drawing Sheets



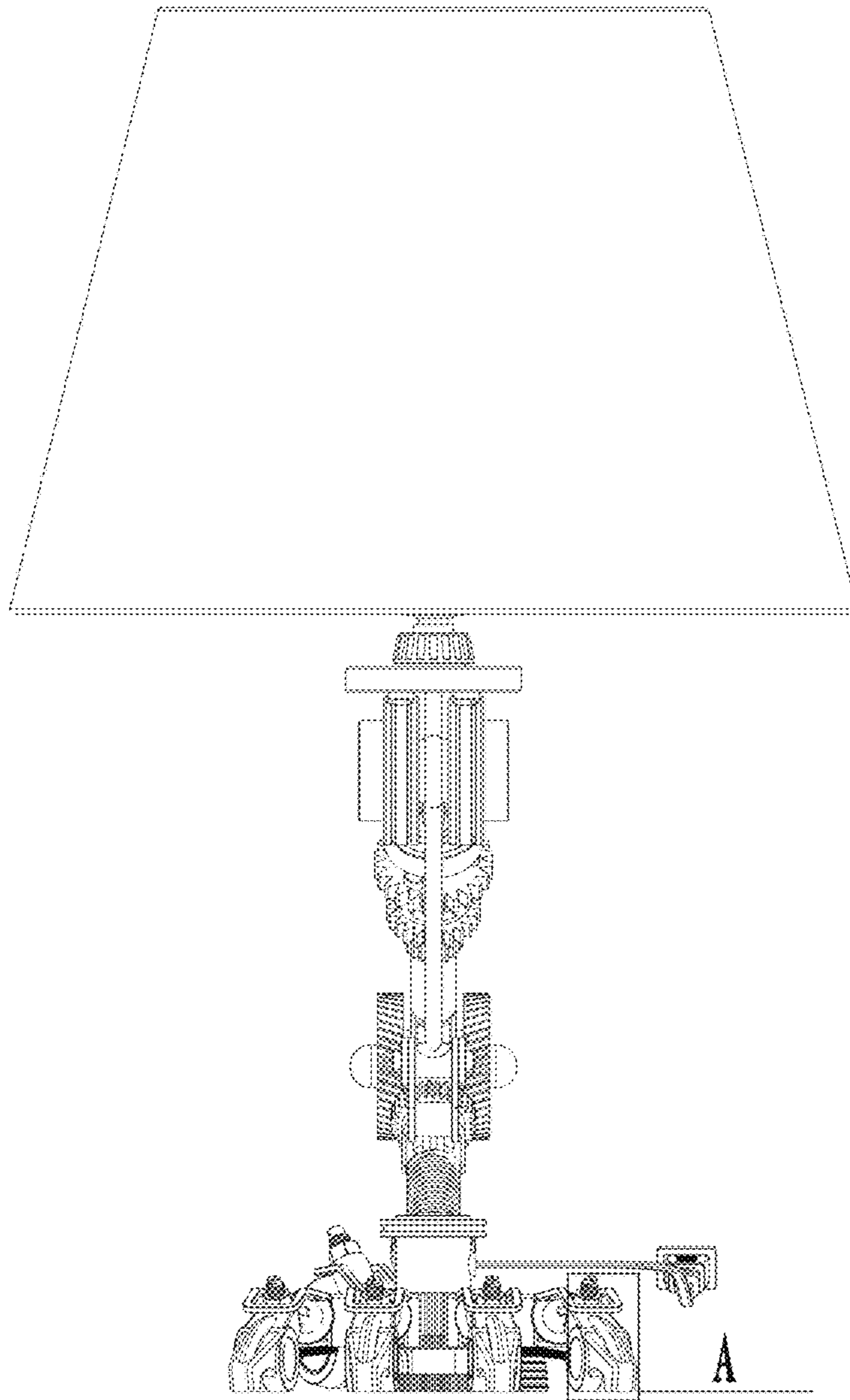


Figure 1

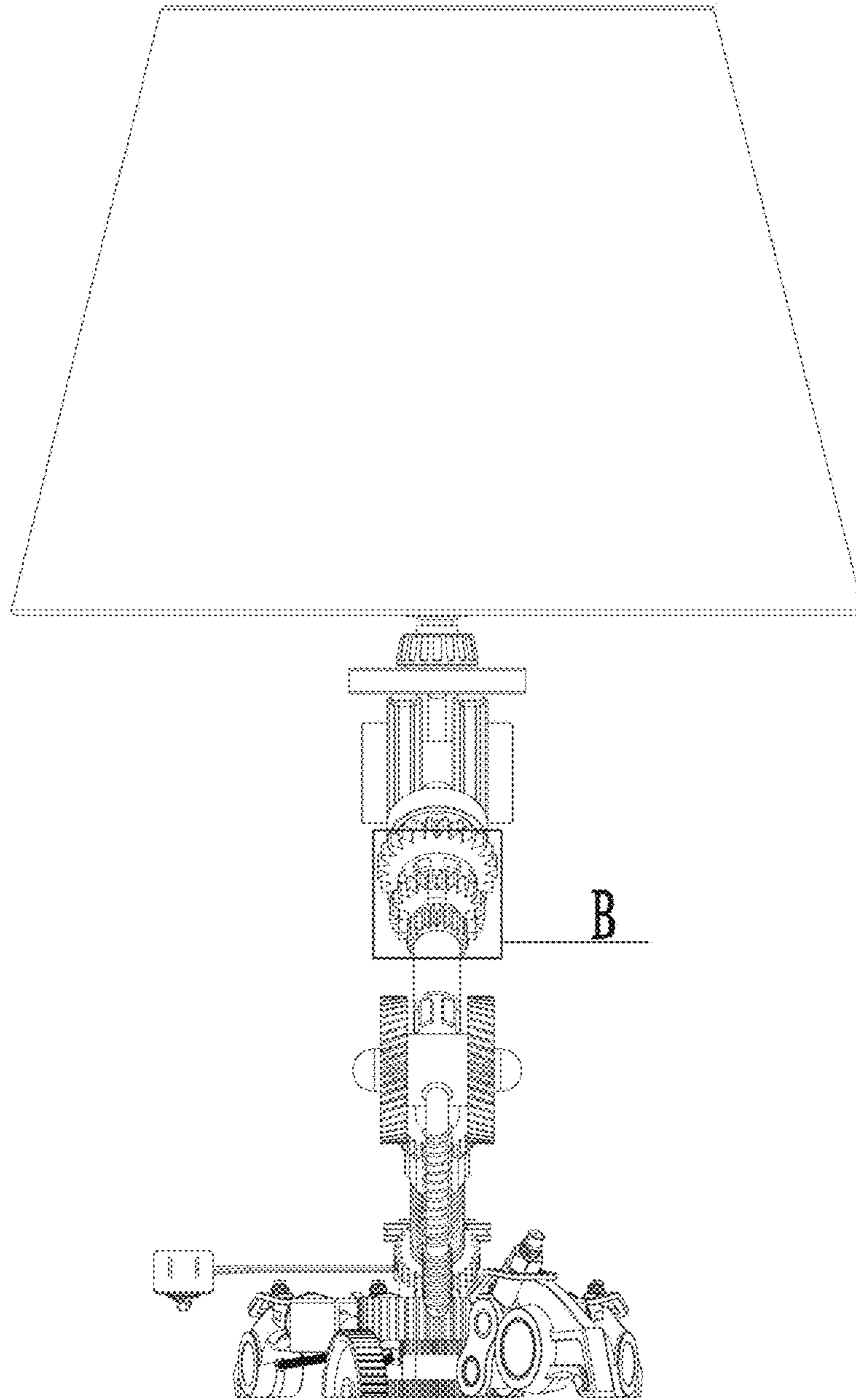


Figure 2

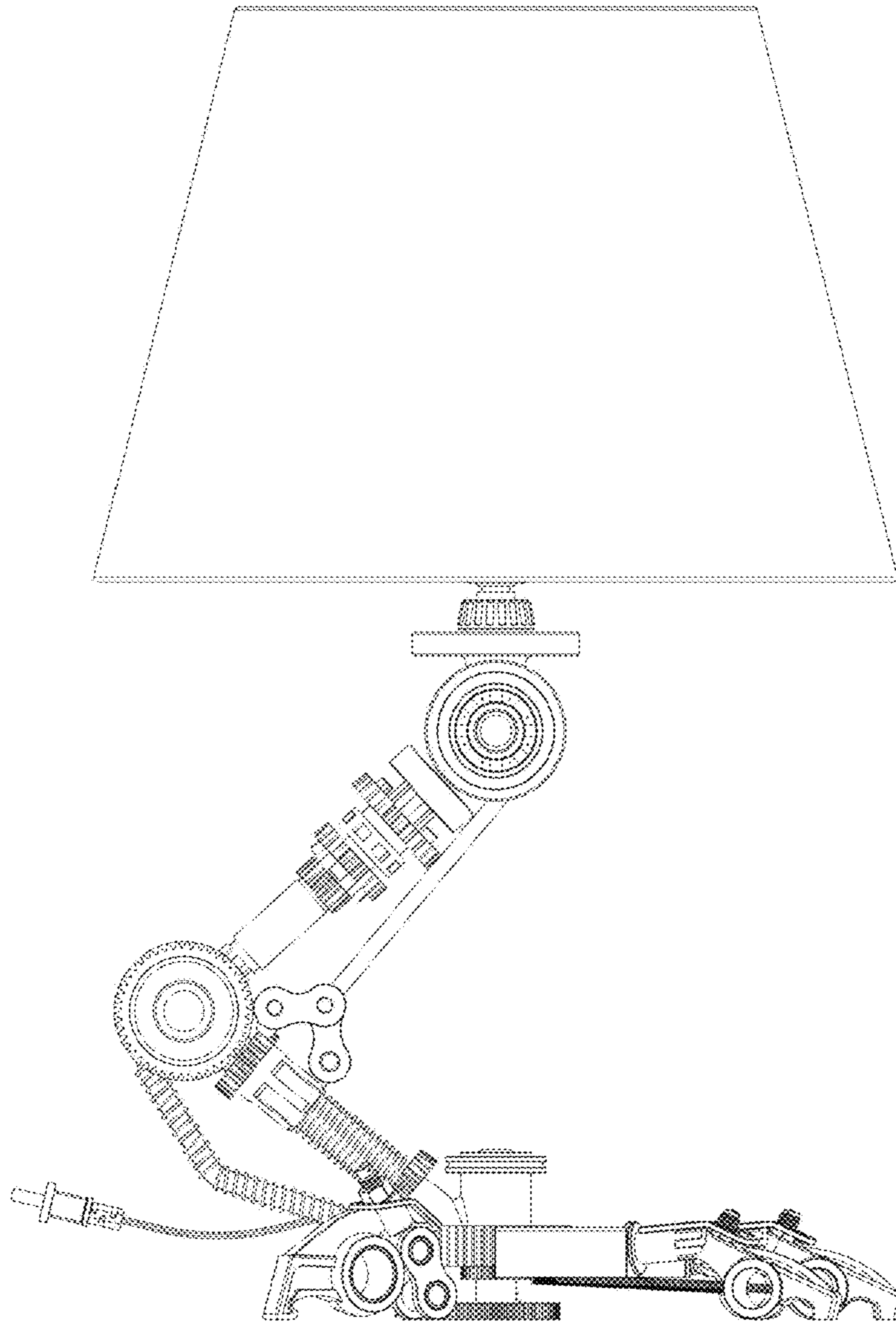


Figure 3

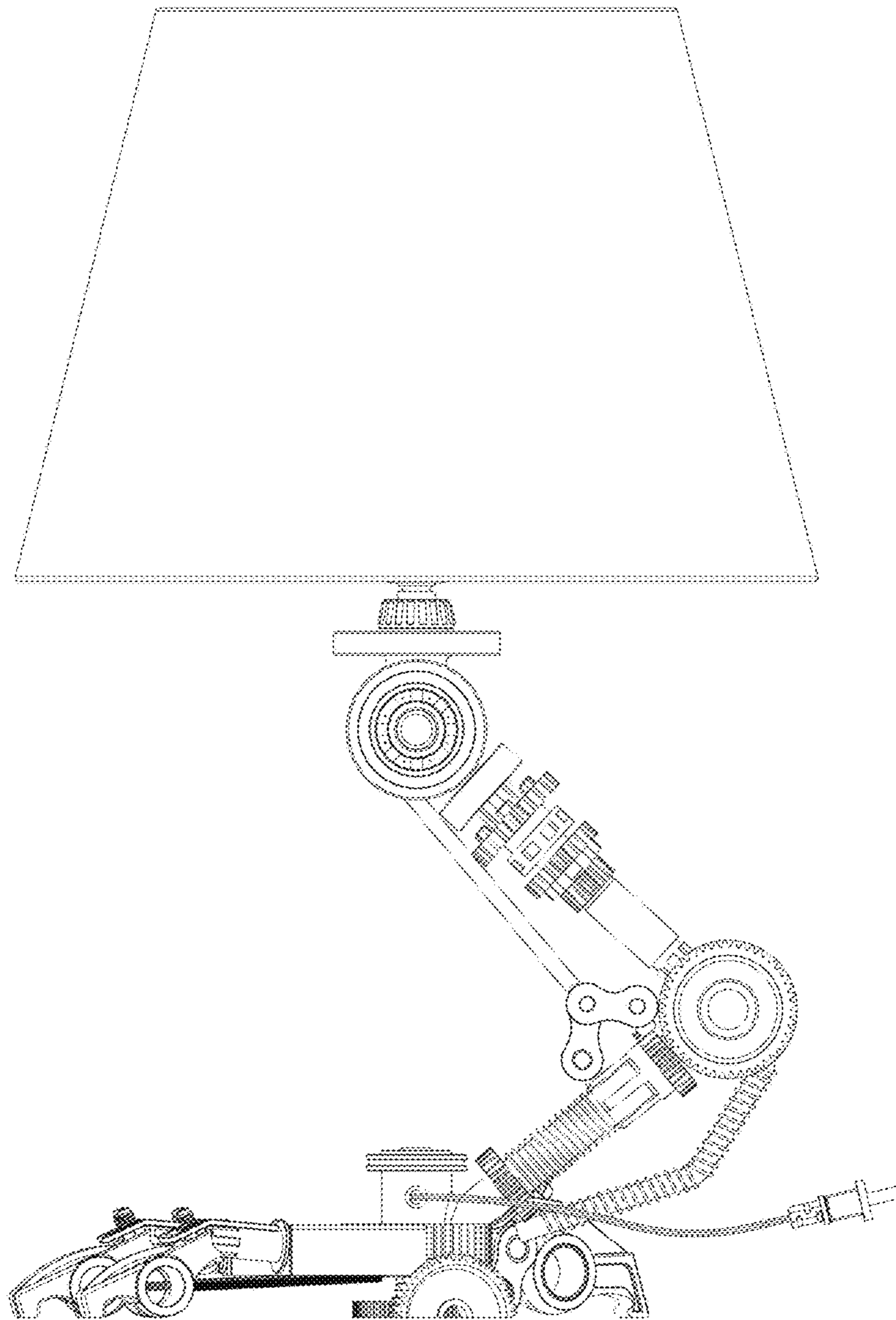


Figure 4

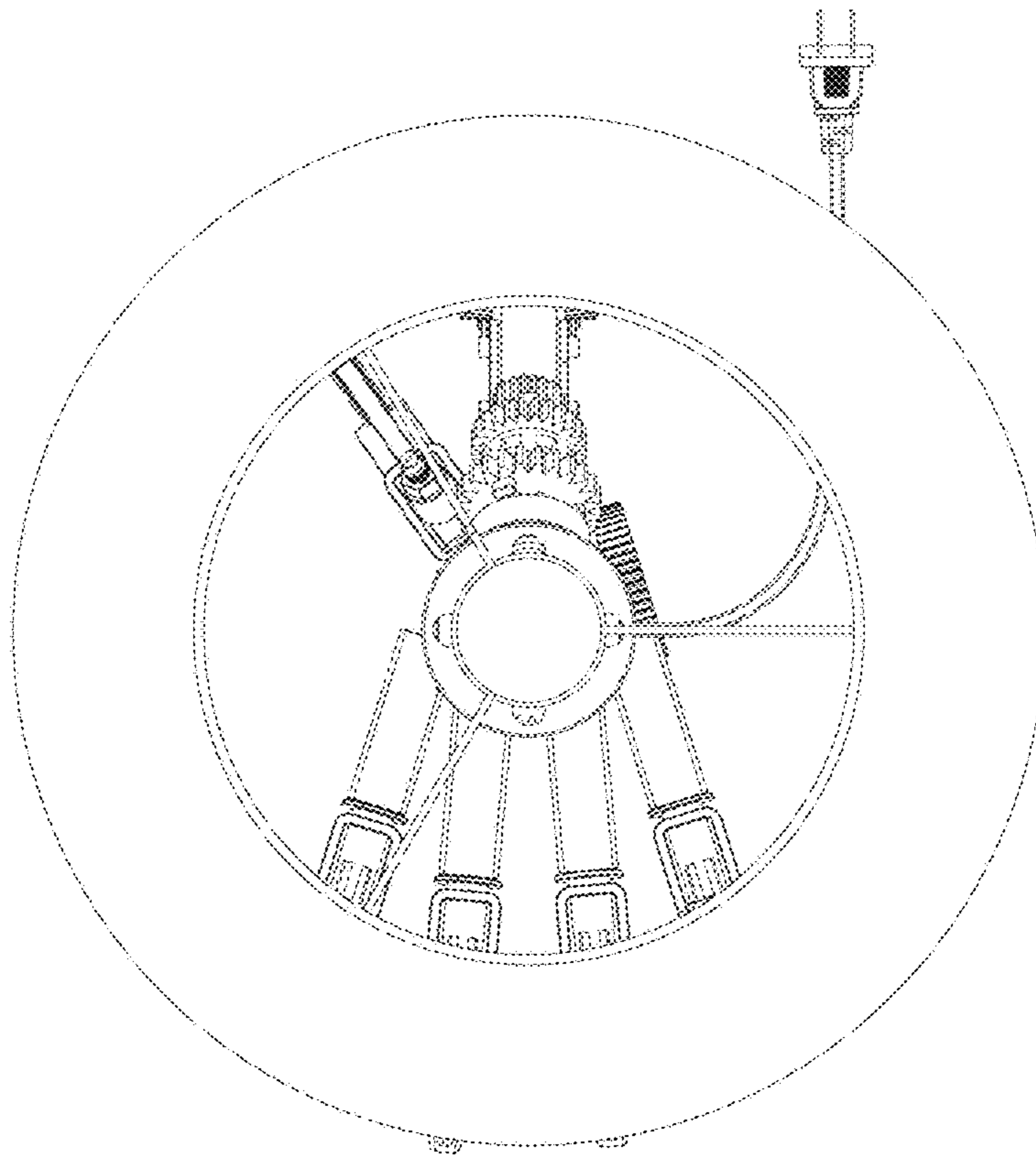


Figure 5

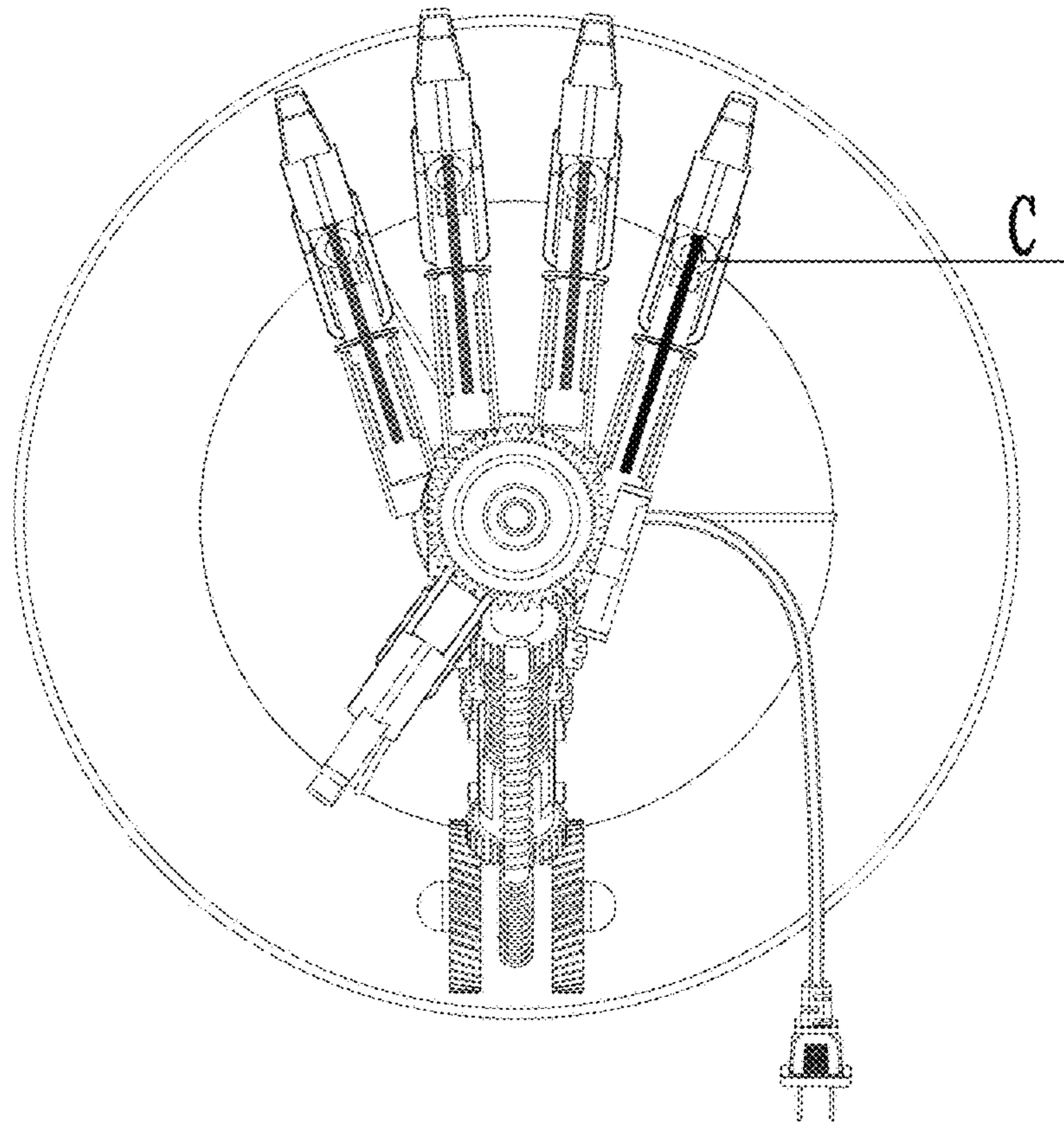


Figure 6

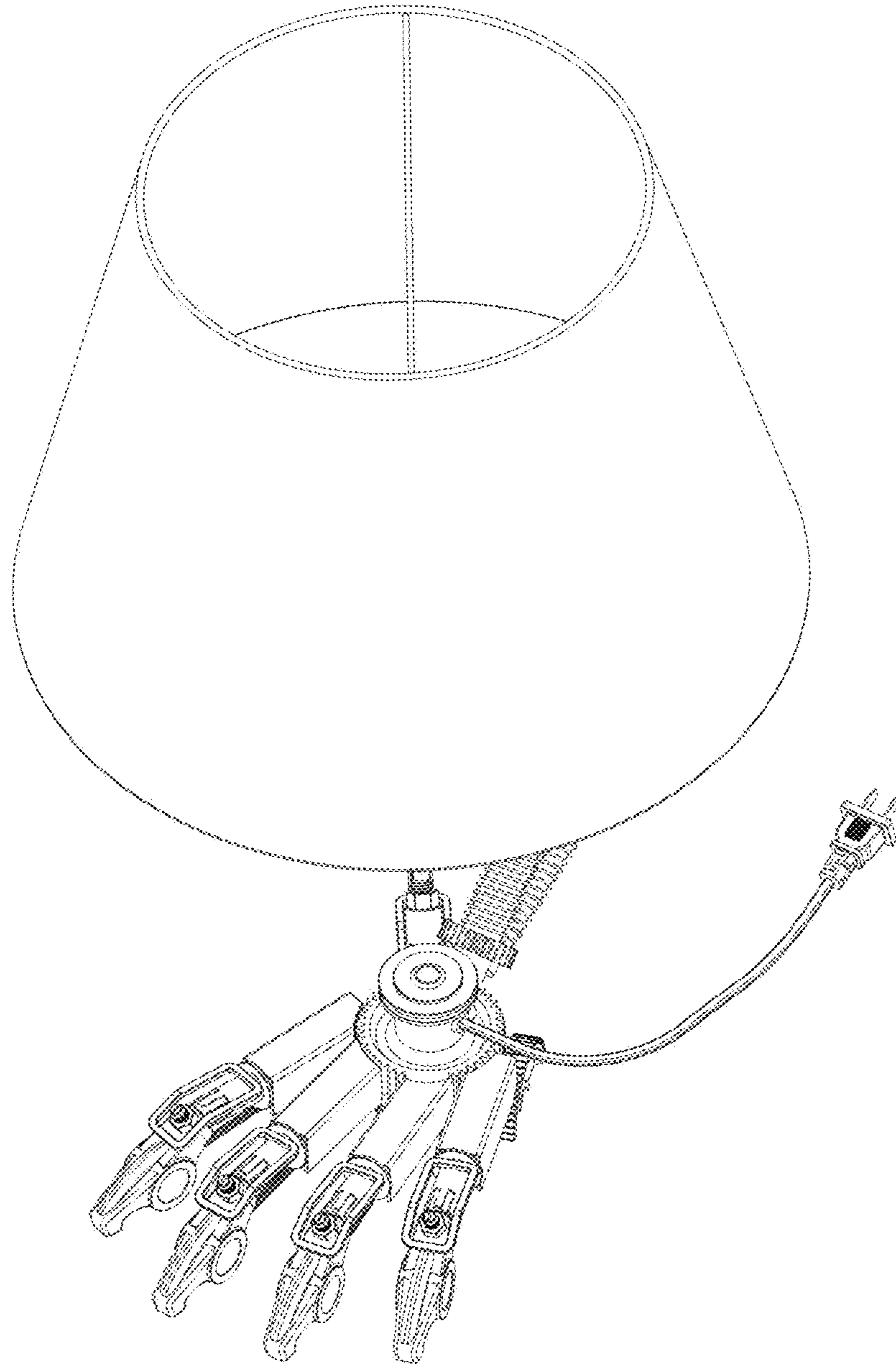


Figure 7

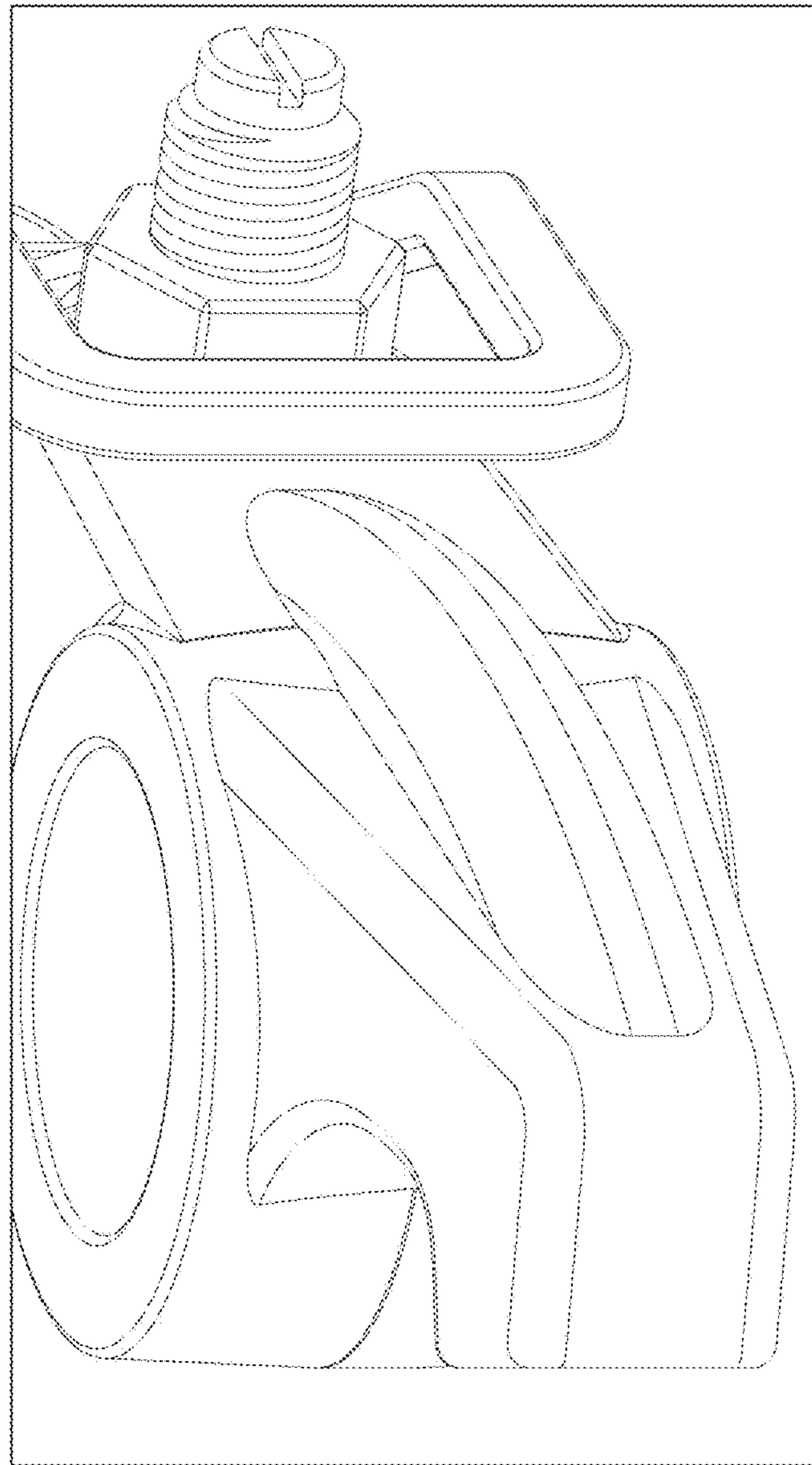


Figure 8

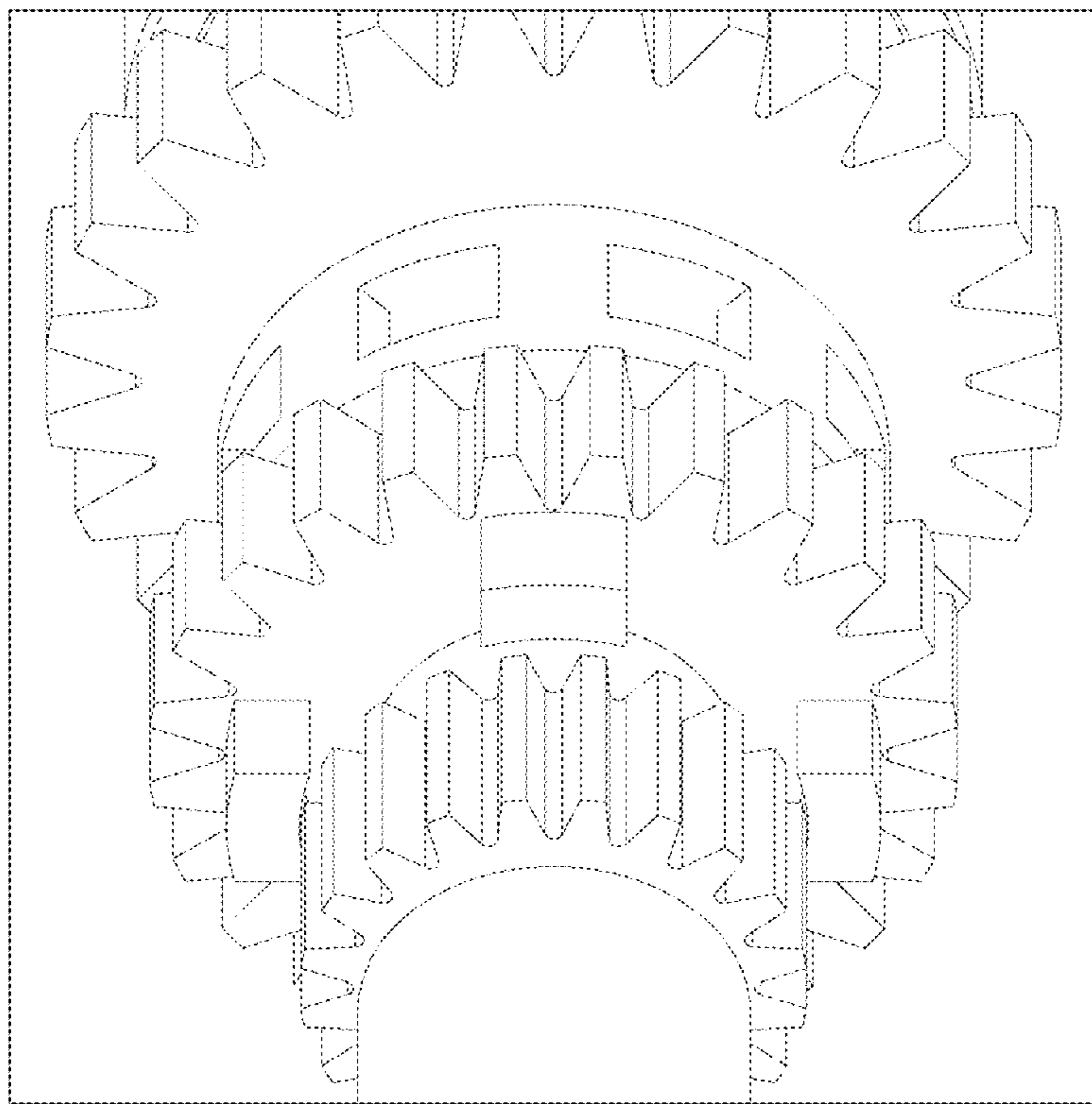


Figure 9

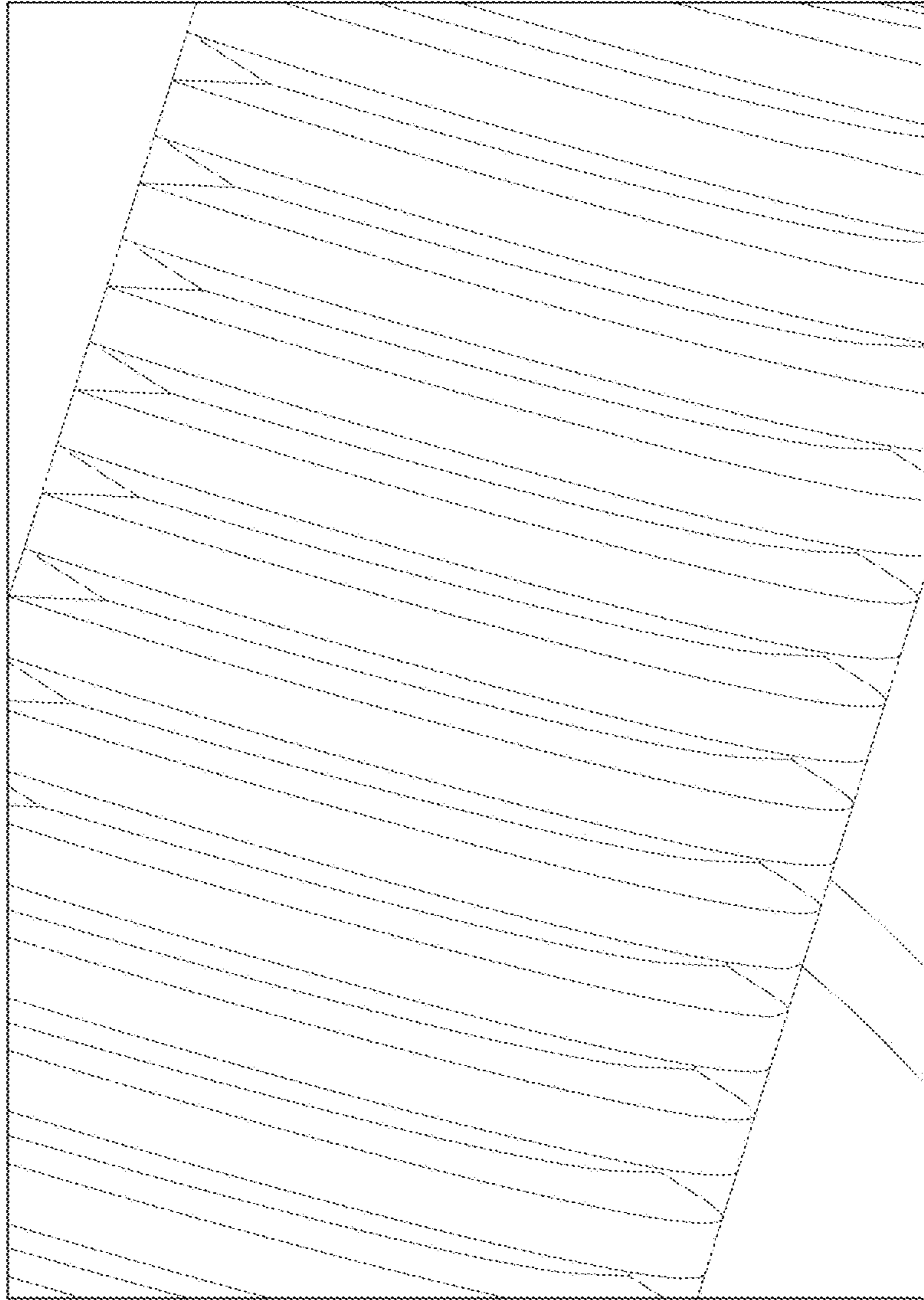


Figure 10