



US00D855238S

(12) **United States Design Patent** (10) **Patent No.:** **US D855,238 S**  
**Stanley** (45) **Date of Patent:** **\*\* Jul. 30, 2019**

(54) **BALLAST**  
 (71) Applicant: **HGCI, Inc.**, Las Vegas, NV (US)  
 (72) Inventor: **John Stanley**, Vancouver, WA (US)  
 (73) Assignee: **HGCI, Inc.**, Las Vegas, NV (US)  
 (\*\*) Term: **15 Years**

4,394,692 A 7/1983 Randmae  
 4,413,674 A 11/1983 Avery et al.  
 4,471,898 A 9/1984 Parker  
 D277,892 S 3/1985 Reding  
 4,602,826 A 7/1986 Zimmer  
 D292,619 S 11/1987 Chen  
 (Continued)

(21) Appl. No.: **29/623,935**  
 (22) Filed: **Oct. 27, 2017**  
 (51) **LOC (11) Cl.** ..... **26-04**  
 (52) **U.S. Cl.**  
 USPC ..... **D26/76**  
 (58) **Field of Classification Search**  
 USPC ..... D26/76, 78, 79, 80, 81, 82, 83, 85, 86,  
 D26/88, 90, 93, 111, 113, 118, 119, 120,  
 D26/121, 122, 138, 139, 140, 141, 142,  
 D26/152  
 CPC ..... F21S 2/00; F21S 4/00; F21S 4/003; F21S  
 4/005; F21S 4/006; F21S 4/007; F21S  
 4/008; F21S 6/00; F21S 8/00; F21S  
 8/024; F21S 8/026; F21S 8/031; F21S  
 8/033; F21S 8/035-037; F21S 8/04; F21S  
 8/043; F21S 8/063  
 See application file for complete search history.

(56) **References Cited**  
 U.S. PATENT DOCUMENTS  
 D123,768 S 12/1940 Scribner  
 D177,532 S 4/1956 Meyer et al.  
 2,887,242 A 5/1959 Suarez Grau  
 D201,083 S 5/1965 Pam  
 3,197,545 A 7/1965 Moore  
 D213,580 S 3/1969 Osborne  
 3,741,292 A 6/1973 Aakalu et al.  
 3,829,677 A 8/1974 DeLlano  
 4,078,169 A 3/1978 Armstrong  
 4,214,797 A 7/1980 Borresen

**OTHER PUBLICATIONS**

Pro Gear 1000 Watt Magnetic Ballast, image post date 2012, site visited Oct. 16, 2015 (online), <<http://growhop.ie/index.php/pro-gear-1000-watt-magnetic-ballast.html>>.  
 (Continued)

*Primary Examiner* — Natasha Vujcic  
 (74) *Attorney, Agent, or Firm* — J. Douglas Wells

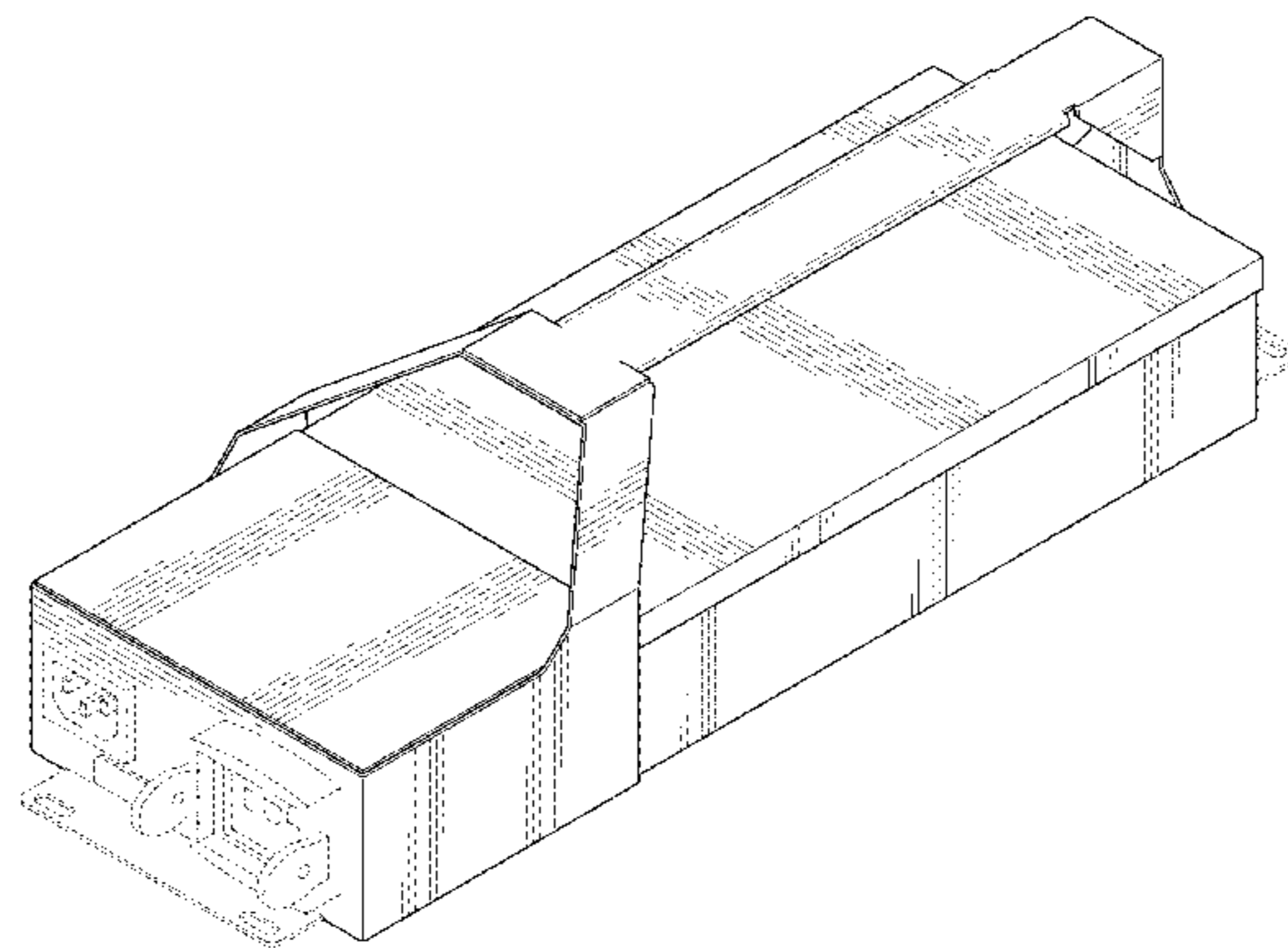
(57) **CLAIM**

The ornamental design for a ballast, as shown and described.

**DESCRIPTION**

FIG. 1 is a perspective view of a ballast, as viewed from below, showing my new design;  
 FIG. 2 is a perspective view of the ballast shown in FIG. 1, as viewed from above;  
 FIG. 3 is a left side view of the ballast shown in FIG. 1;  
 FIG. 4 is a right side view of the ballast shown in FIG. 1;  
 FIG. 5 is a front elevation view of the ballast shown in FIG. 1;  
 FIG. 6 is a rear elevation view of the ballast shown in FIG. 1;  
 FIG. 7 is a top plan view of the ballast shown in FIG. 1; and,  
 FIG. 8 is a bottom plan view of the ballast shown in FIG. 1.  
 The broken-line disclosure shown in the views is understood to represent portions of the article in which the claimed design is embodied, but which form no part of the claimed design.

**1 Claim, 5 Drawing Sheets**



(56)

References Cited

U.S. PATENT DOCUMENTS

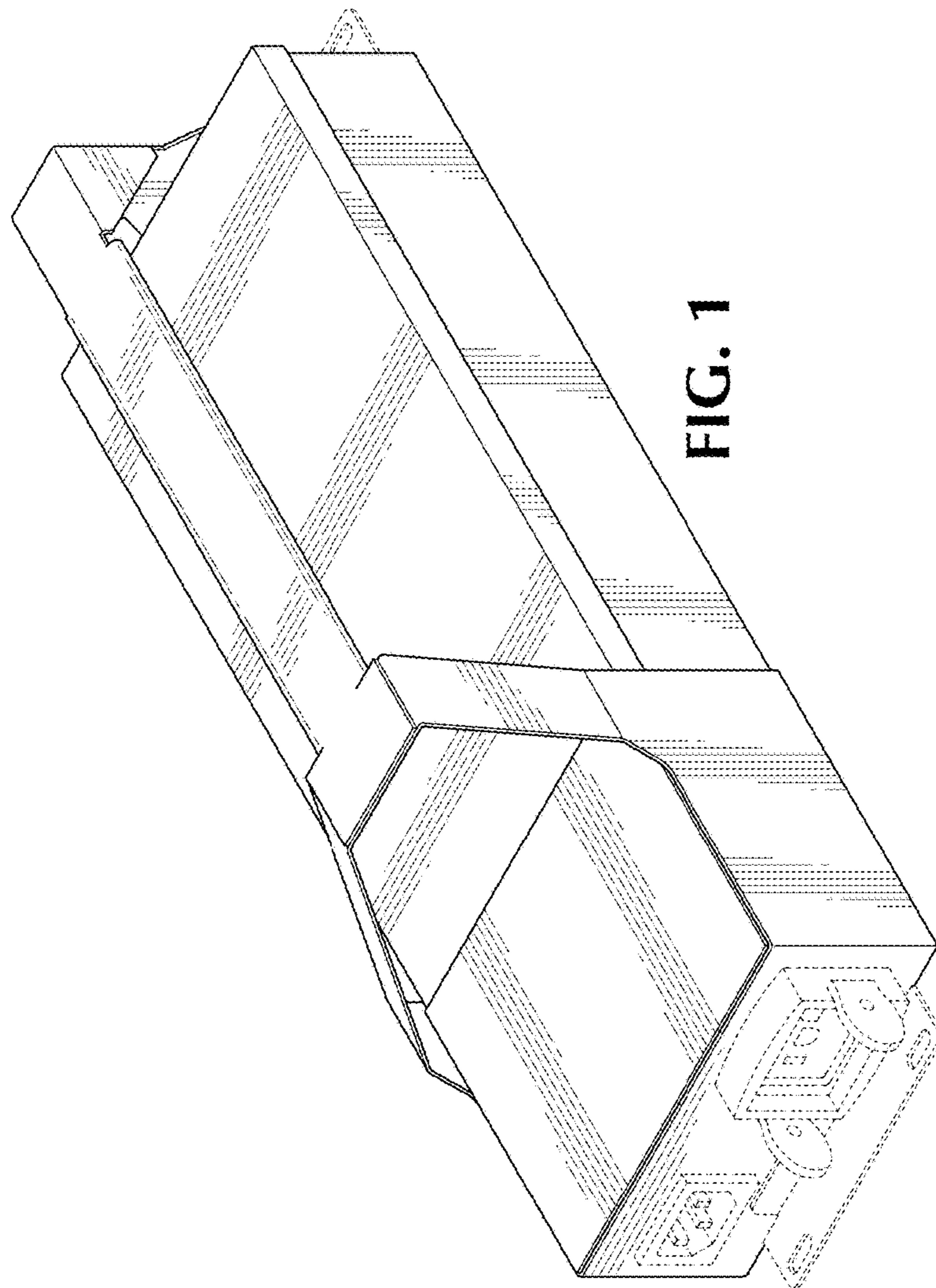
D292,913 S 11/1987 Shaper  
 4,745,966 A 5/1988 Avery  
 D301,278 S \* 5/1989 Hughes ..... D26/78  
 D306,773 S \* 3/1990 Roulstone ..... D26/78  
 4,924,152 A 5/1990 Flickinger  
 5,031,070 A 7/1991 Hsu  
 5,140,225 A 8/1992 Barton  
 5,159,528 A 10/1992 Murphy  
 D339,324 S 9/1993 Ahn  
 5,260,851 A 11/1993 Chiou  
 5,278,351 A 1/1994 Herrick  
 5,309,315 A 5/1994 Naedel  
 D348,869 S 7/1994 Egger  
 D360,047 S 7/1995 Zimmerman  
 5,446,617 A 8/1995 Blocher et al.  
 5,483,423 A 1/1996 Lewis  
 D373,625 S 9/1996 Pereira  
 D387,333 S 12/1997 Pellow et al.  
 D387,970 S 12/1997 Enslen  
 5,867,369 A 2/1999 Antonuccio  
 5,874,788 A 2/1999 McCarthy  
 5,894,884 A 4/1999 Durian  
 D409,139 S 5/1999 Cornell  
 5,917,696 A 6/1999 Peng  
 5,944,210 A 8/1999 Yetter  
 D413,567 S 9/1999 Person  
 6,005,768 A 12/1999 Jo  
 6,038,126 A 3/2000 Weng  
 D425,462 S 5/2000 Ujiie  
 D427,147 S 6/2000 Wei  
 D427,969 S 7/2000 Wei  
 6,082,842 A 7/2000 Ho  
 D432,639 S 10/2000 Durian  
 6,129,429 A 10/2000 Hardt  
 6,147,859 A 11/2000 Abboud  
 D437,288 S 2/2001 Light  
 6,411,514 B1 6/2002 Hussaini  
 6,445,663 B1 9/2002 Chen  
 6,548,948 B1 4/2003 Muessli  
 D477,568 S 7/2003 Milby  
 6,595,662 B2 7/2003 Wardenburg  
 D478,547 S 8/2003 Milby  
 D483,329 S 12/2003 Kuo  
 6,679,619 B2 1/2004 Saieva  
 6,693,371 B2 2/2004 Ziegler  
 6,697,258 B1 2/2004 Muhlfeld  
 6,758,353 B2 7/2004 Orr  
 D505,915 S 6/2005 Hussaini  
 D510,320 S 10/2005 Tuomola  
 6,960,842 B2 11/2005 Ziegler  
 7,040,491 B1 5/2006 Claprod  
 D523,803 S 6/2006 Smith et al.  
 D524,245 S 7/2006 Carson  
 7,083,309 B2 8/2006 Chan  
 D534,119 S 12/2006 Miller  
 7,164,581 B2 1/2007 Carullo  
 D537,777 S 3/2007 Hargreaves  
 D542,460 S 5/2007 Hargreaves  
 D545,737 S 7/2007 Sherman  
 D545,996 S 7/2007 Hargreaves  
 D550,894 S 9/2007 Huang  
 D554,062 S 10/2007 Ohmi  
 7,397,670 B2 7/2008 Su  
 7,524,090 B2 4/2009 Hargreaves  
 7,566,104 B2 7/2009 Chen  
 7,696,872 B2 4/2010 Burwell  
 D615,848 S 5/2010 Prichard et al.

D619,276 S 7/2010 Choi  
 7,782,605 B2 8/2010 Wu  
 D625,168 S 10/2010 Chen  
 D625,877 S 10/2010 Hsu  
 D627,503 S 11/2010 Postelmans  
 D627,919 S 11/2010 Trice  
 D638,307 S 5/2011 Rossi  
 D638,567 S \* 5/2011 Bobel ..... D26/79  
 D639,495 S 6/2011 Huang  
 D643,964 S 8/2011 Heyrman  
 D654,021 S 2/2012 Sweeney  
 D654,350 S 2/2012 Preda  
 D663,228 S 7/2012 Reinbach  
 D663,459 S 7/2012 Wauters  
 D663,469 S 7/2012 Lee  
 8,238,117 B2 8/2012 Burwell  
 D668,810 S 10/2012 Bryant  
 D673,720 S 1/2013 Bailey  
 D678,599 S 3/2013 Boyer  
 D691,074 S 10/2013 Dugardin  
 D692,827 S 11/2013 Chen  
 D696,165 S 12/2013 Campbell  
 D697,652 S \* 1/2014 Savani ..... D26/76  
 D698,074 S 1/2014 Hargreaves  
 D699,884 S \* 2/2014 Savani ..... D26/76  
 D704,375 S 5/2014 Bailey  
 D705,230 S 5/2014 Hung  
 D709,448 S 7/2014 Zhang  
 D710,000 S 7/2014 Moreno  
 D710,528 S 8/2014 Wardenburg  
 D710,530 S 8/2014 Chang  
 D711,818 S 8/2014 Maki  
 D714,253 S 9/2014 Aglassinger  
 D715,148 S 10/2014 Kuo  
 D715,476 S 10/2014 Tien  
 D716,730 S 11/2014 Liu  
 D724,257 S 3/2015 Klus  
 D725,820 S 3/2015 Hargreaves  
 D727,846 S 4/2015 Wen  
 D731,688 S 6/2015 Piano  
 D739,347 S 9/2015 Huang  
 D743,890 S 11/2015 Liu  
 D747,029 S 1/2016 Reynolds  
 D752,803 S 3/2016 Reyes  
 D757,344 S 5/2016 Reynolds  
 D761,481 S 7/2016 Reynolds  
 D797,344 S \* 9/2017 Yorio ..... D26/78  
 D797,351 S \* 9/2017 Stanley ..... D26/118  
 D818,626 S \* 5/2018 Park ..... D26/76  
 D822,883 S \* 7/2018 Stanley ..... D26/118  
 D825,827 S \* 8/2018 Stanley ..... D26/118  
 D831,265 S \* 10/2018 Stanley ..... D26/118  
 D833,665 S \* 11/2018 Lewis, Jr. .... D26/78  
 D837,442 S \* 1/2019 Reynolds ..... D26/118  
 2008/0251663 A1 10/2008 Tracy  
 2010/0319953 A1 12/2010 Yochum et al.  
 2011/0025797 A1 2/2011 Rosati et al.  
 2011/0025803 A1 2/2011 Rosati

OTHER PUBLICATIONS

Hot Head 1000 Watt Ballast, image post date Jun. 7, 2014, site visited Oct. 16, 2015, (online), <<http://tineye.com/search/16ab65f3e8fc49af5495f0d8aed1735afa6524e/?pluginver=>>.  
 1000 W Hardcore Ballast—Yield Master 6 in Air-cooled Bundle, image post date Jun. 9, 2014, site visited Oct. 16, 2015, (online), <<http://web.archive.org/web/20140609182241/http://4hydroponics.com/sunlight-supply>>.

\* cited by examiner



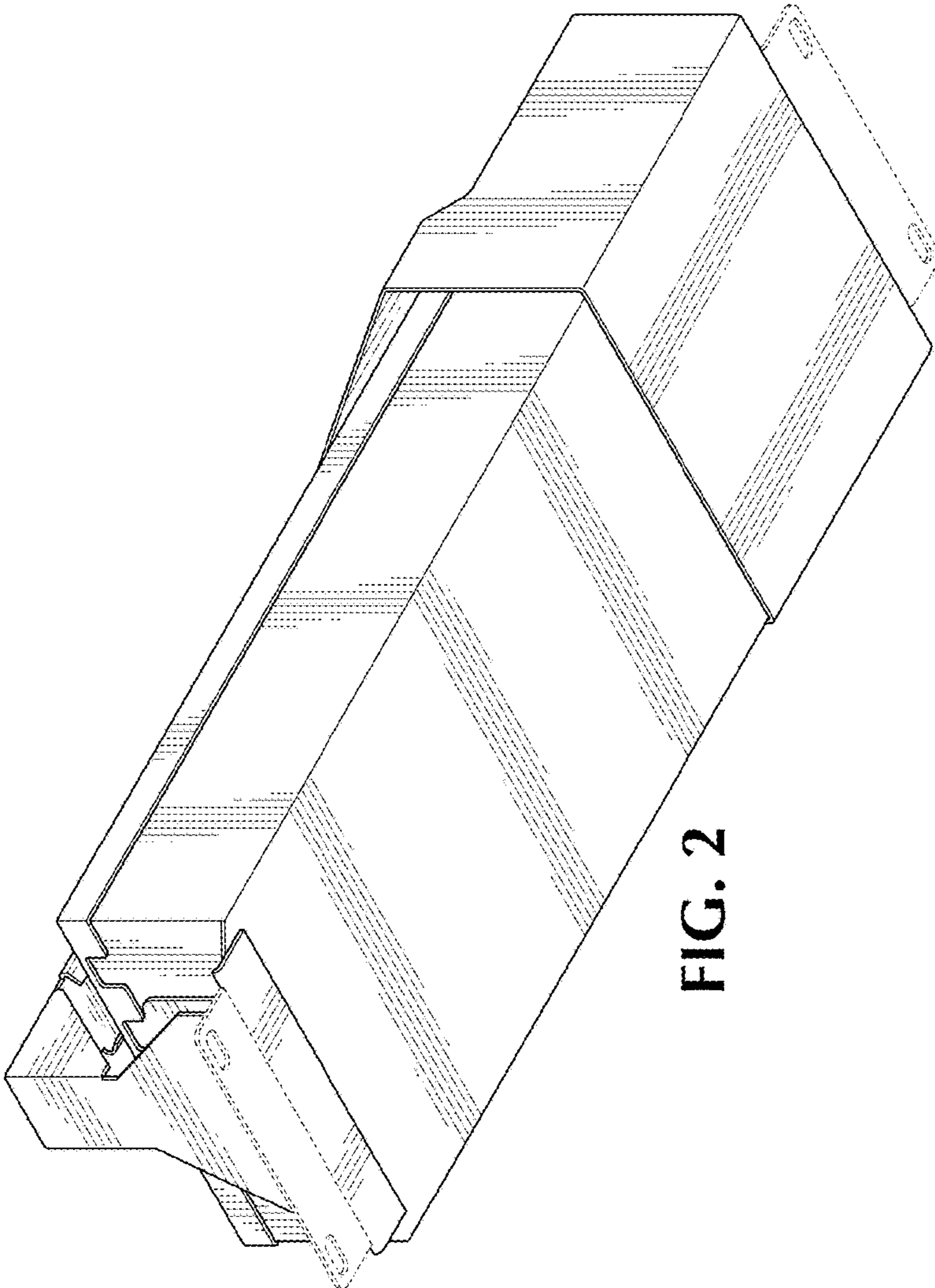


FIG. 2

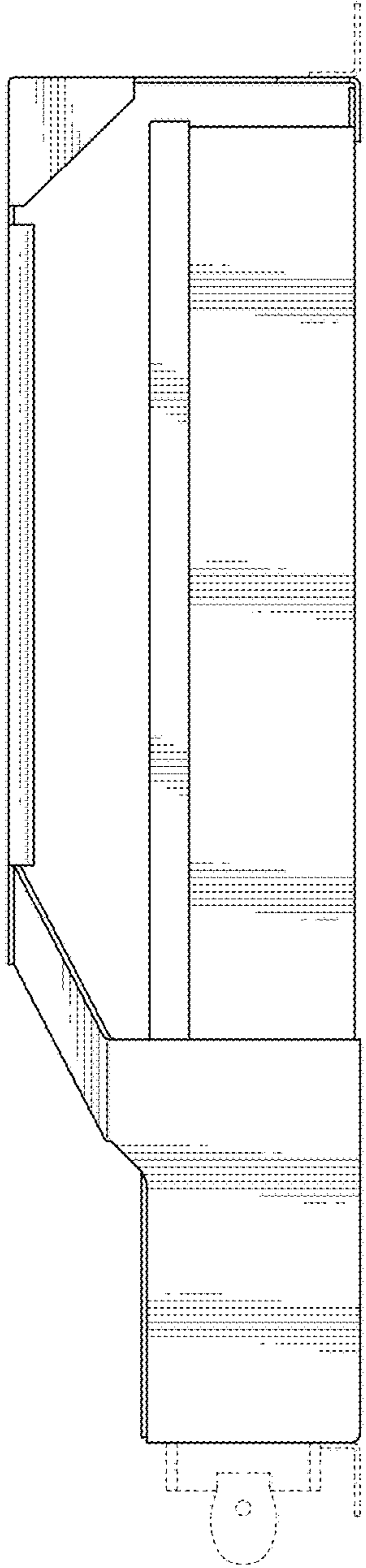


FIG. 3

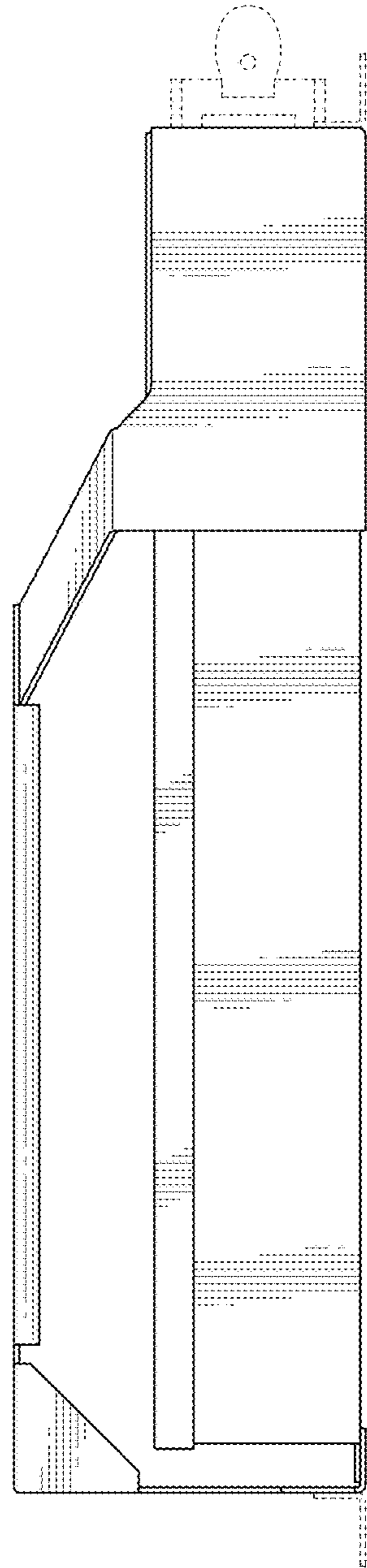


FIG. 4

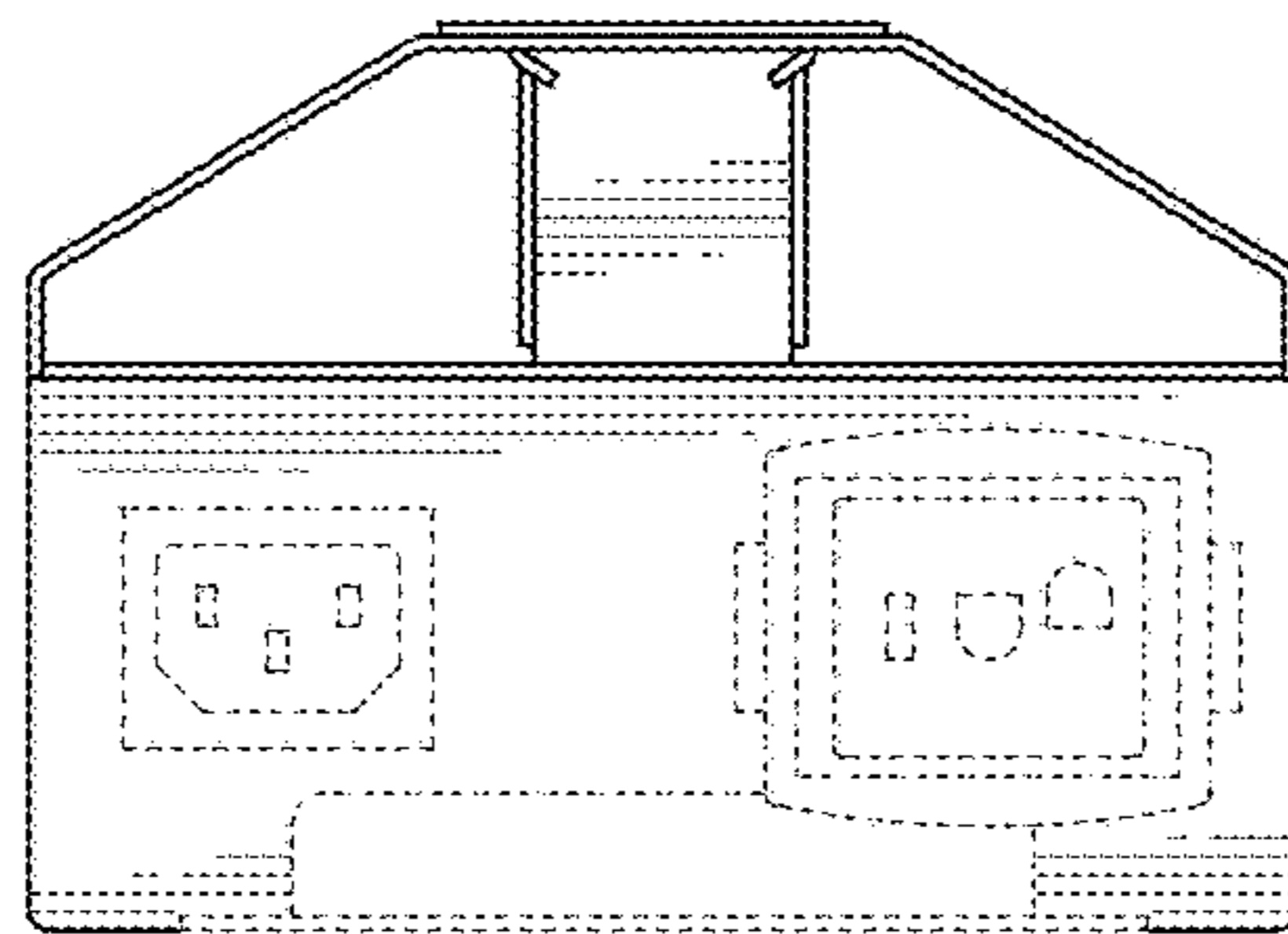


FIG. 5

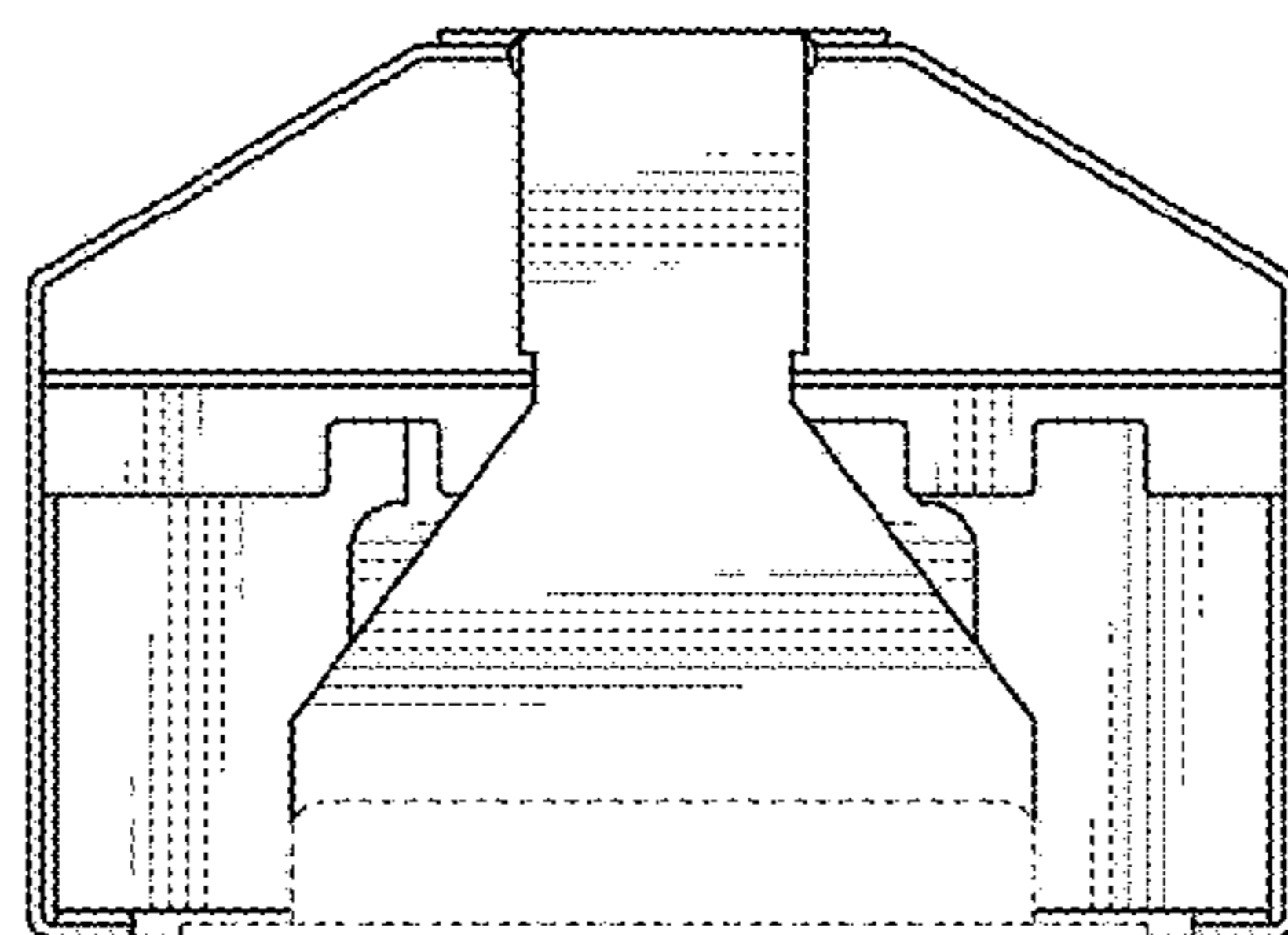


FIG. 6

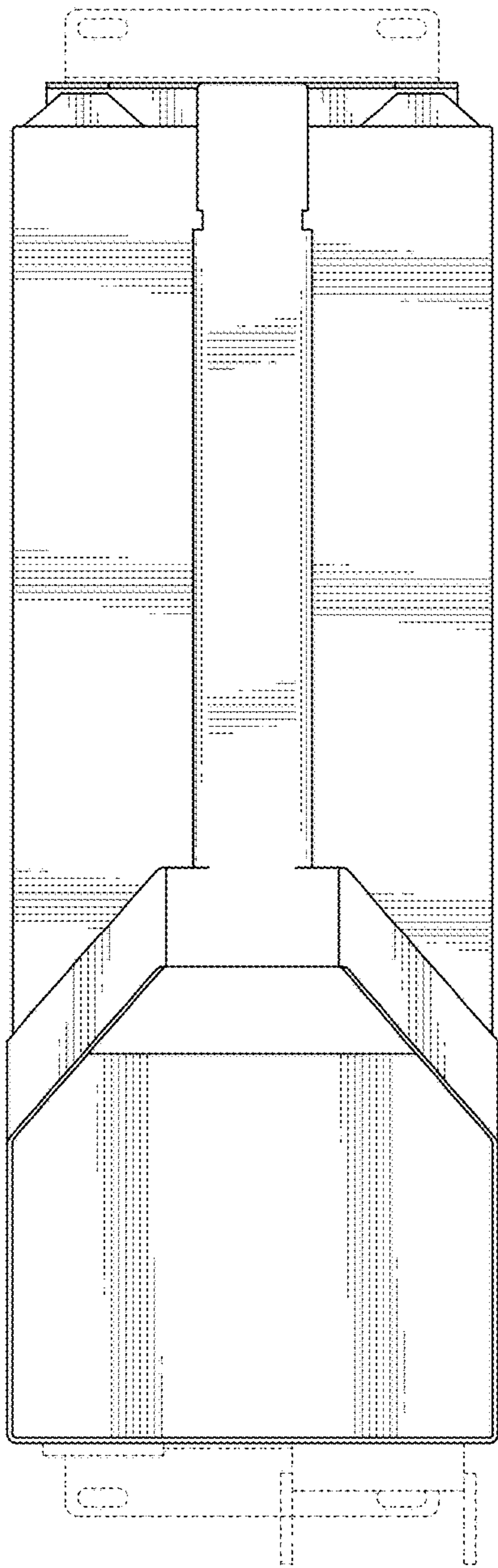


FIG. 7

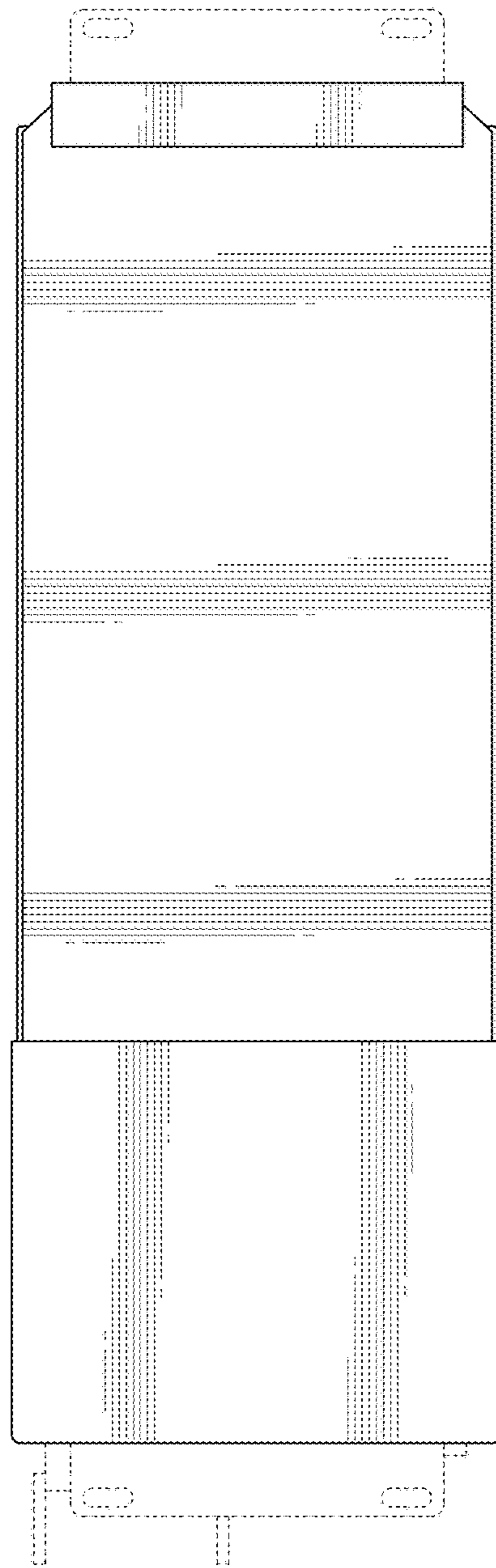


FIG. 8