



US00D855237S

(12) **United States Design Patent** (10) **Patent No.:** **US D855,237 S**  
**Liu** (45) **Date of Patent:** **\*\* \*Jul. 30, 2019**

(54) **BLACK LIGHT**

(56) **References Cited**

(71) Applicant: **Zhijun Liu**, Guangdong (CN)

U.S. PATENT DOCUMENTS

(72) Inventor: **Zhijun Liu**, Guangdong (CN)

D441,891 S *	5/2001	Herst .....	D26/76
D480,494 S *	10/2003	Targetti .....	D26/72
D520,667 S *	5/2006	Jae-Sung .....	D26/76
D602,627 S *	10/2009	Lasthein .....	D26/76
D603,548 S *	11/2009	Pei .....	D26/76
D690,452 S *	9/2013	Payne .....	D26/80
D751,237 S *	3/2016	Ferrier .....	D26/90
D790,947 S *	7/2017	Key .....	D8/315
D808,059 S *	1/2018	Li .....	D26/76
D808,566 S *	1/2018	Goetz-Schaefer .....	D26/76

(73) Assignee: **SHENZHEN HUAYINGTONG ELECTRONIC CO., LTD**, Shenzhen, Guangdong (CN)

(\* ) Notice: This patent is subject to a terminal disclaimer.

\* cited by examiner

(\*\*) Term: **15 Years**

*Primary Examiner* — George D. Kirschbaum

*Assistant Examiner* — Natasha Vujcic

(21) Appl. No.: **29/600,965**

(74) *Attorney, Agent, or Firm* — Justin Lampel

(22) Filed: **Apr. 18, 2017**

(51) **LOC (11) Cl.** ..... **26-04**

(57) **CLAIM**

(52) **U.S. Cl.**

The ornamental design for a black light, as shown and described.

USPC ..... **D26/76**

**DESCRIPTION**

(58) **Field of Classification Search**

USPC ..... D26/76, 78, 79, 80, 81, 82, 83, 85, 86, D26/88, 90, 113, 118, 119, 120, 121, 122, D26/138, 139, 140, 141, 142, 152

FIG. 1 is a perspective view of a black light showing my new design;

FIG. 2 is a front elevational view thereof;

FIG. 3 is a rear elevational view thereof;

FIG. 4 is a right side view thereof;

FIG. 5 is a left side view thereof;

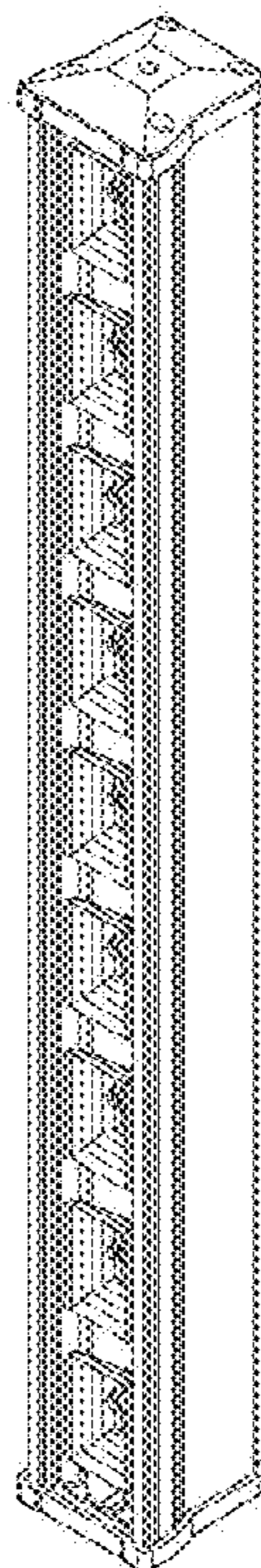
FIG. 6 is a bottom plan view thereof; and,

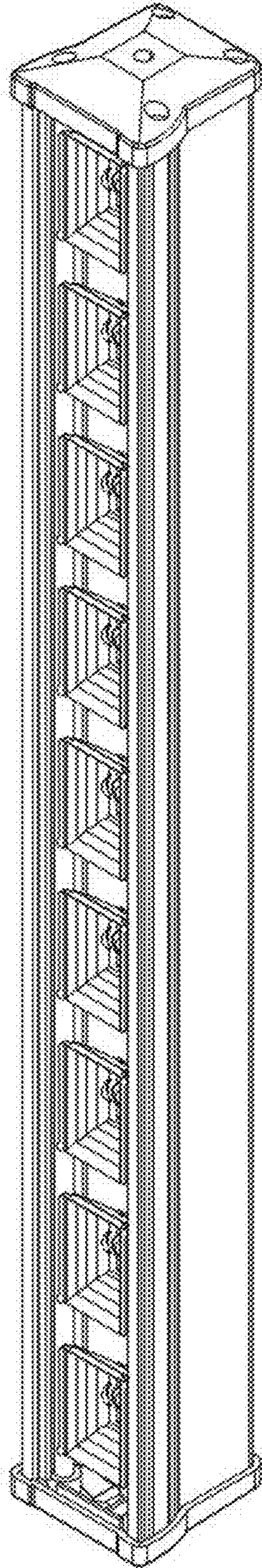
FIG. 7 is a top plan view thereof.

CPC ..... F21S 2/00; F21S 4/00; F21S 4/003; F21S 4/005; F21S 4/006; F21S 4/007; F21S 4/008; F21S 6/00; F21S 8/00; F21S 8/024; F21S 8/026; F21S 8/031; F21S 8/033; F21S 8/035–8/037; F21S 8/04; F21S 8/043; F21S 8/063

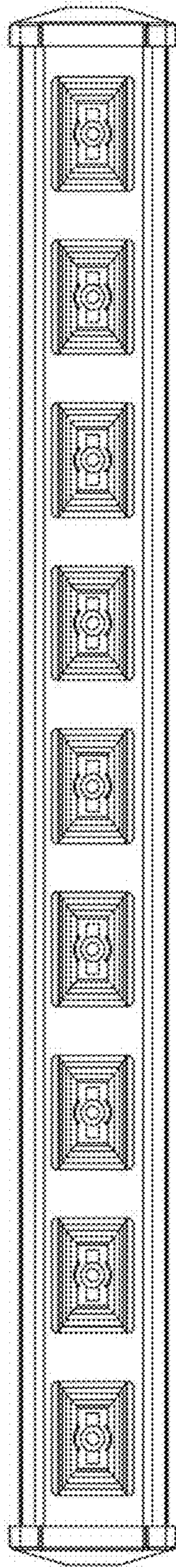
See application file for complete search history.

**1 Claim, 7 Drawing Sheets**

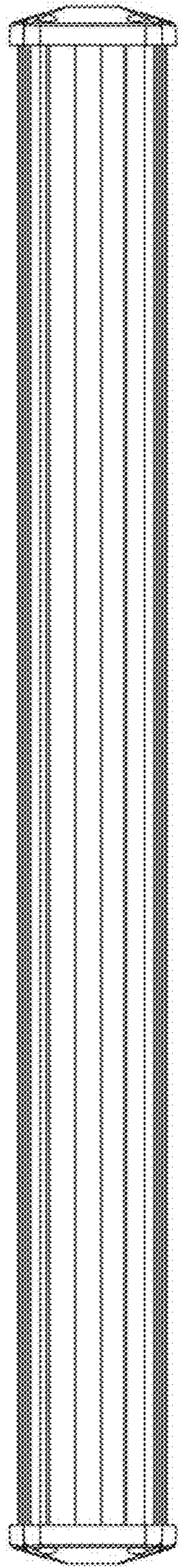




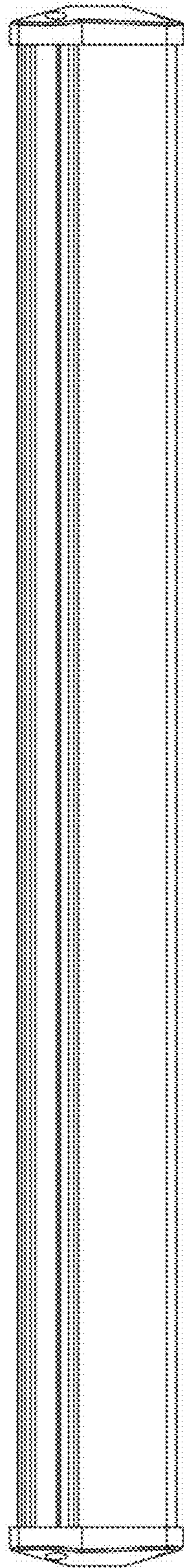
**FIG.1**



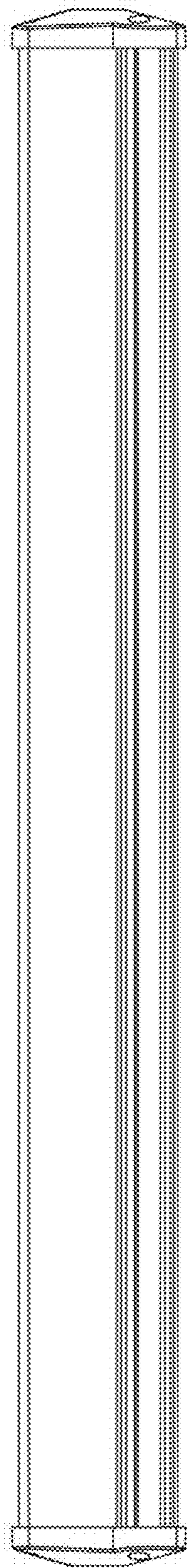
**FIG.2**



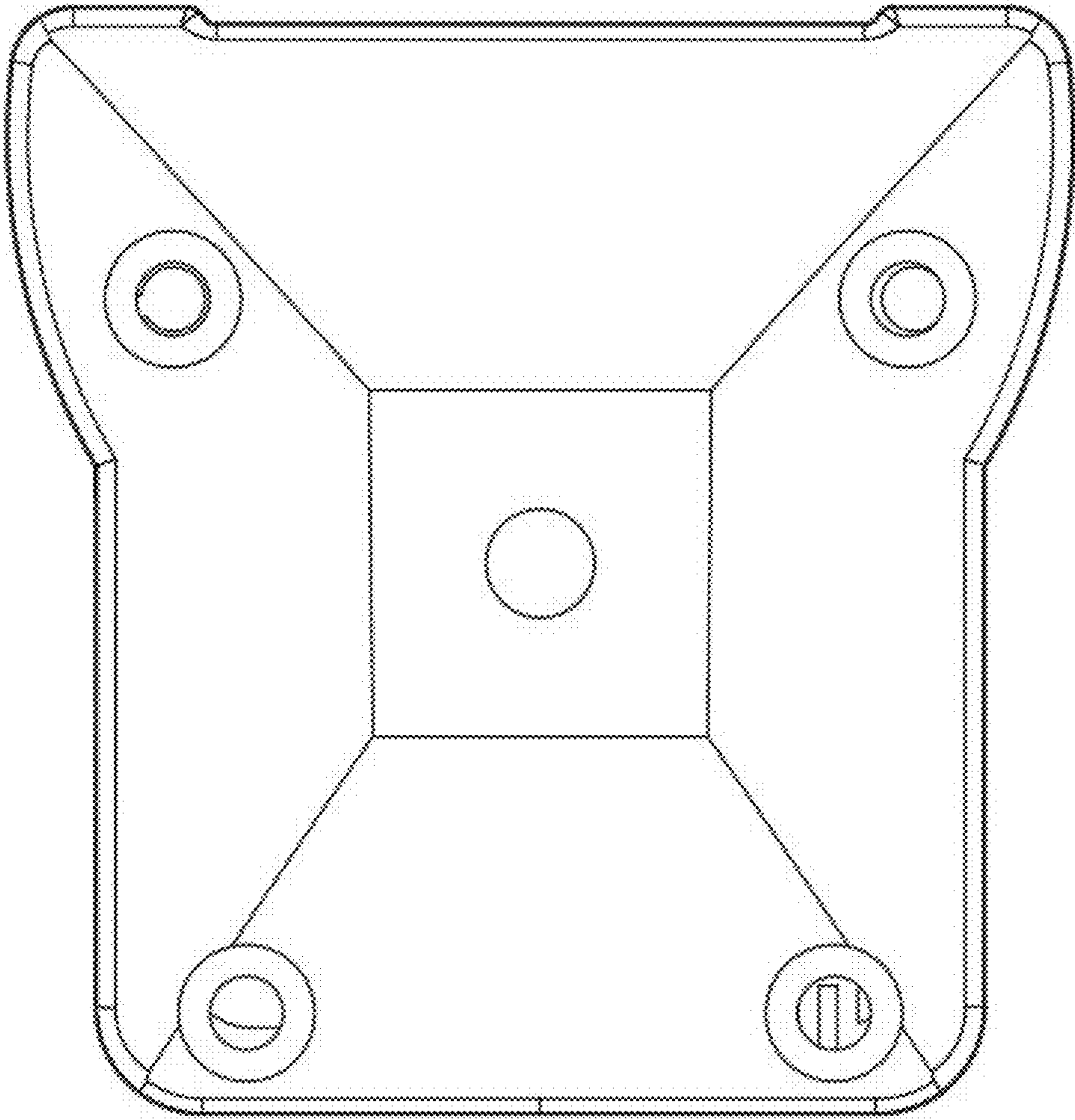
**FIG.3**



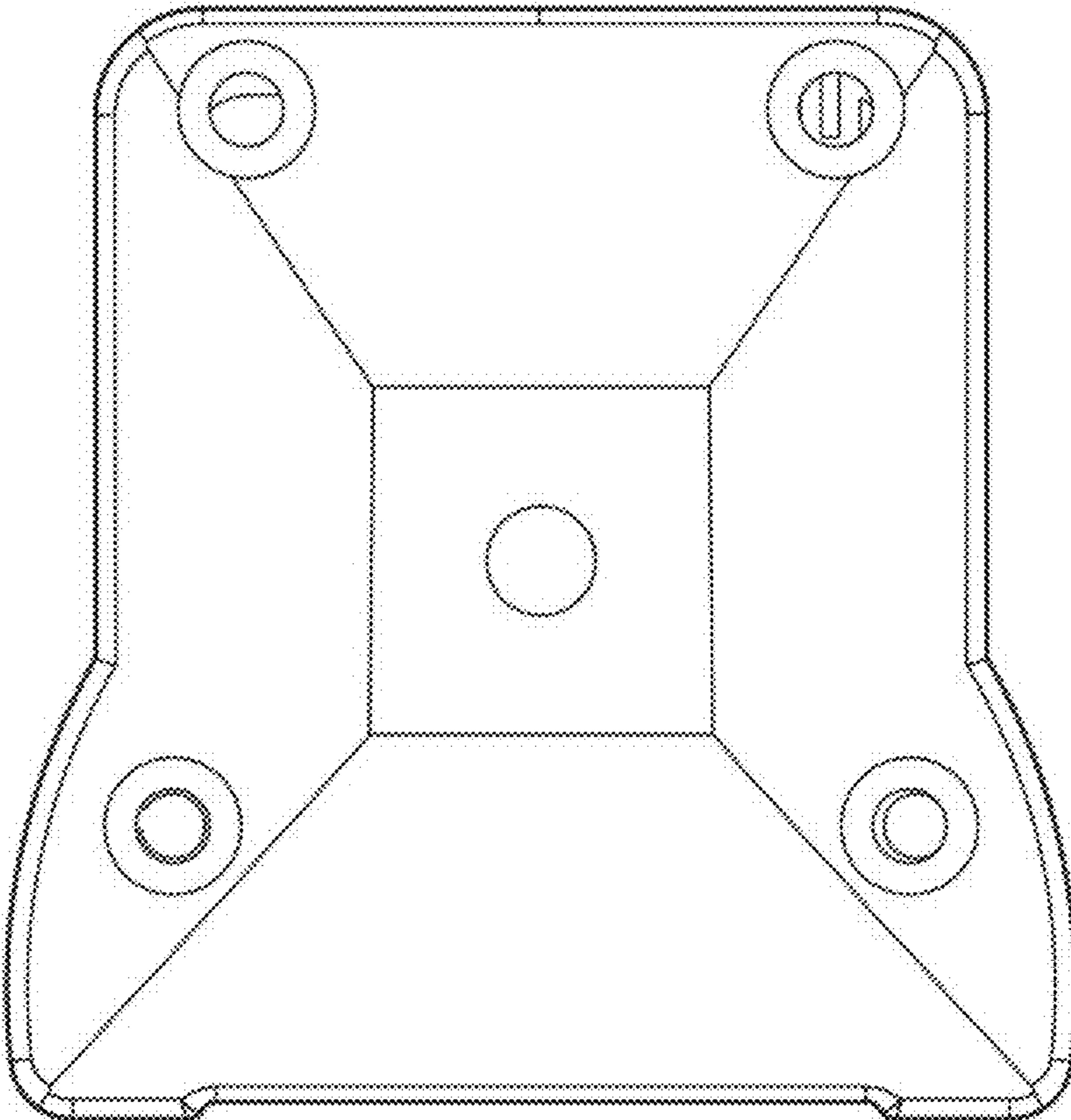
**FIG.4**



**FIG.5**



**FIG.6**



**FIG.7**