



US00D855236S

(12) **United States Design Patent**
Goetz-Schaefer

(10) **Patent No.:** **US D855,236 S**

(45) **Date of Patent:** **** Jul. 30, 2019**

(54) **LUMINAIRE**

(71) Applicant: **ZUMTOBEL LIGHTING GMBH,**
Lemgo (DE)

(72) Inventor: **Katharina Goetz-Schaefer,** Bad
Salzuflen (DE)

(73) Assignee: **Zumtobel Lighting GMBH,** Lemgo
(DE)

(**) Term: **15 Years**

(21) Appl. No.: **29/643,113**

(22) Filed: **Apr. 4, 2018**

(30) **Foreign Application Priority Data**

Oct. 4, 2017 (EM) 004 385 185

(51) **LOC (11) Cl.** **26-05**

(52) **U.S. Cl.**
USPC **D26/74**

(58) **Field of Classification Search**

USPC D26/74, 72, 75, 76, 77, 78, 85, 88, 89,
D26/118, 138, 141, 61; 362/364, 365,
362/373, 145, 146, 147, 148, 150, 153,
362/153.1, 294, 296.01, 296, 296.08
CPC F21V 29/2262; F21V 7/06; F21V 21/044;
F21V 21/047; F21V 29/2212; F21V
29/2225; F21V 29/2256; F21V 29/225;
F21V 29/2268; F21Y 2111/002; F21S
8/02; F21S 8/026
See application file for complete search history.

(56) **References Cited**

U.S. PATENT DOCUMENTS

D291,253 S * 8/1987 Ortega D26/29
D437,074 S * 1/2001 Johnson D26/74
D578,237 S * 10/2008 Engel D26/63

D625,875 S * 10/2010 Chen D26/74
D627,913 S * 11/2010 Gielen D26/74
D633,636 S * 3/2011 Gielen D26/74
D698,971 S * 2/2014 Guzzini D26/74
D699,880 S * 2/2014 Szoke D26/74
D773,109 S * 11/2016 Hu D26/118
D788,968 S * 6/2017 Salomon D26/74
D833,062 S * 11/2018 Pincente D26/141
2013/0051034 A1 * 2/2013 Hashimoto F21V 29/004
362/373
2018/0172260 A1 * 6/2018 Simonyi F21S 8/026

* cited by examiner

Primary Examiner — Angela J Lee

(74) *Attorney, Agent, or Firm* — Scully, Scott, Murphy &
Presser, P.C.

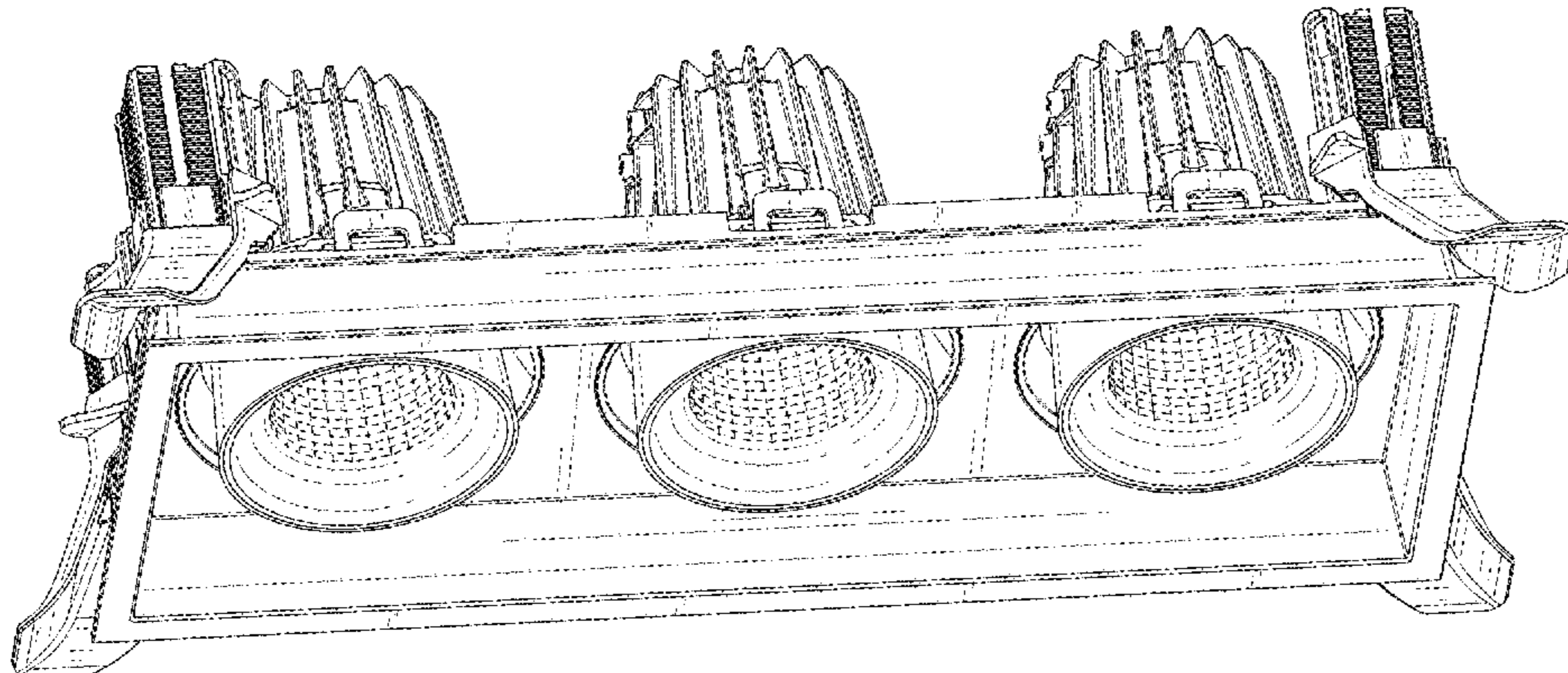
(57) **CLAIM**

The ornamental design for a luminaire, as shown and
described.

DESCRIPTION

FIG. 1 illustrates a top perspective view of a luminaire
showing my new and ornamental design;
FIG. 2 illustrates an alternate top perspective view thereof;
FIG. 3 illustrates an alternate top perspective view thereof;
FIG. 4 illustrates an alternate top perspective view thereof;
FIG. 5 illustrates a bottom perspective view thereof;
FIG. 6 illustrates an alternate bottom perspective view
thereof;
FIG. 7 illustrates a front elevation view thereof;
FIG. 8 illustrates a back elevation view thereof;
FIG. 9 illustrates a left side elevation view thereof;
FIG. 10 illustrates a right side elevation view thereof;
FIG. 11 illustrates a top plan view thereof; and,
FIG. 12 illustrates a bottom plan view thereof.
The broken lines are included for the purpose of illustrating
portions of the article that form no part of the claimed
design.

1 Claim, 11 Drawing Sheets



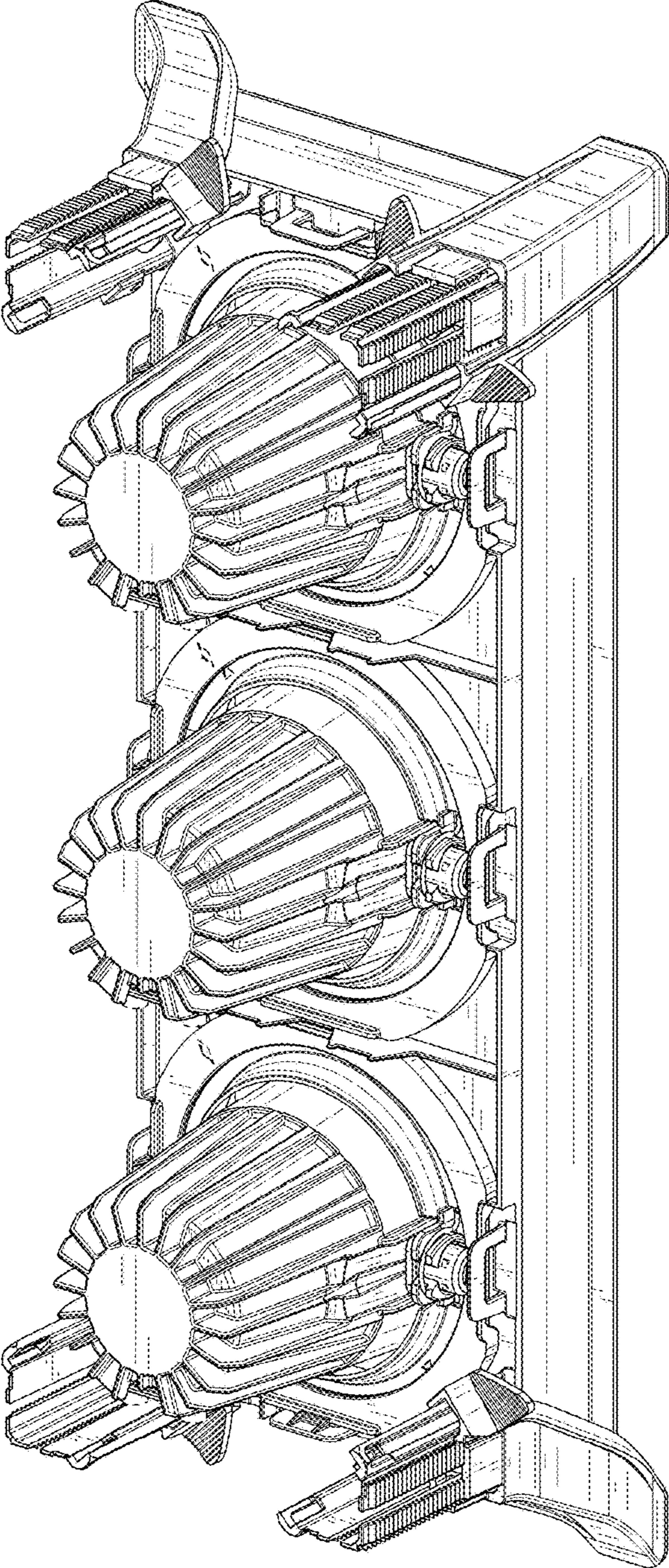


FIG. 1

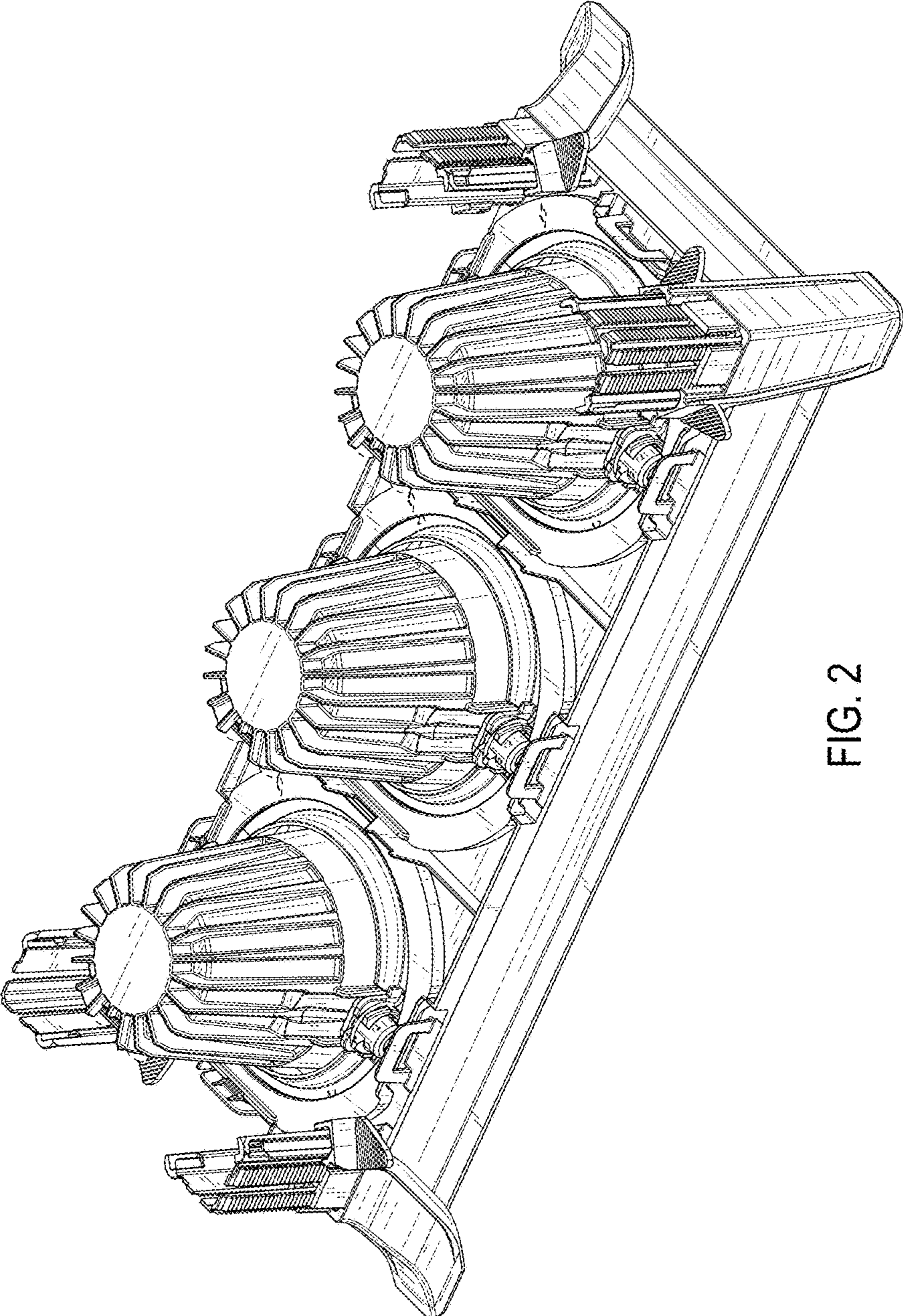


FIG. 2

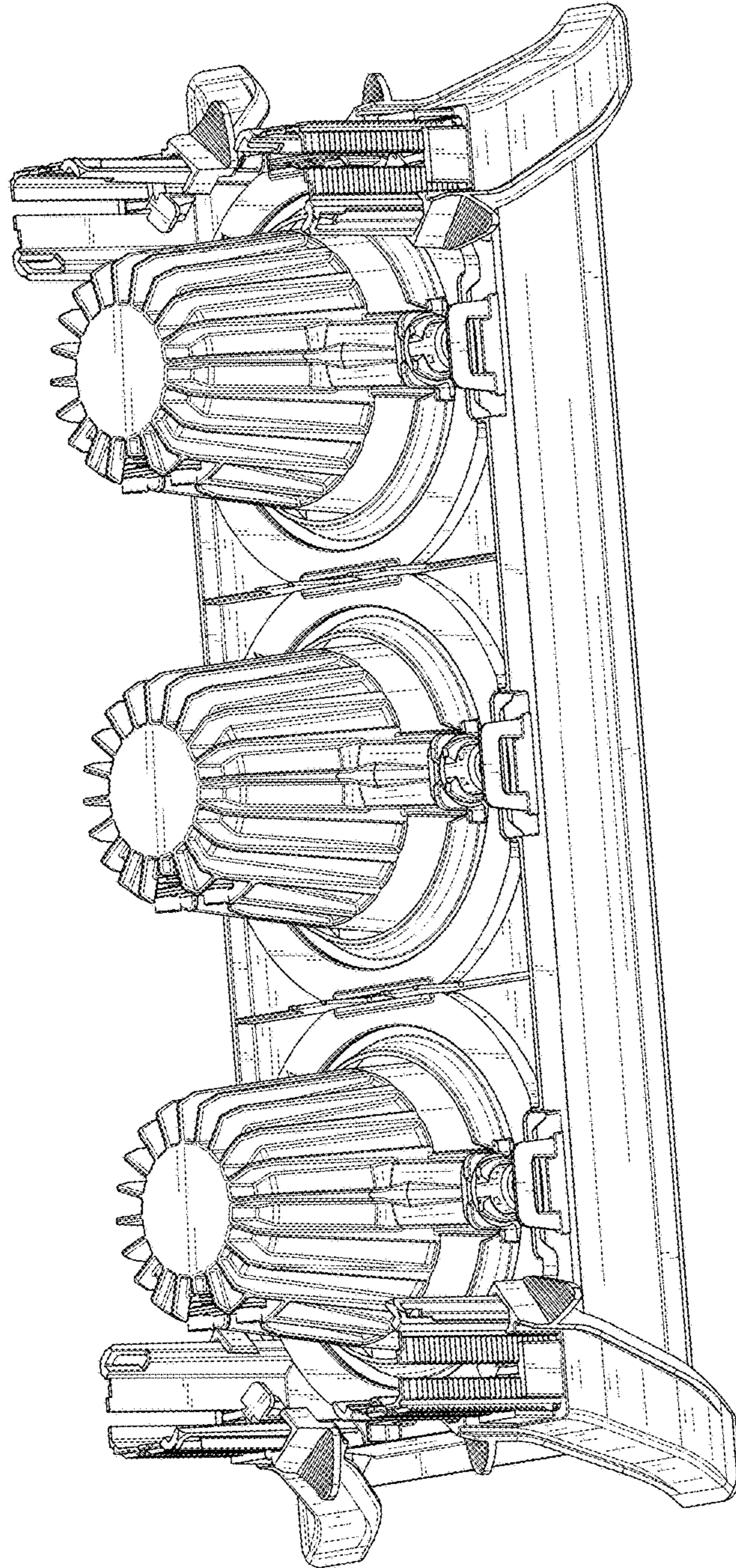


FIG. 3

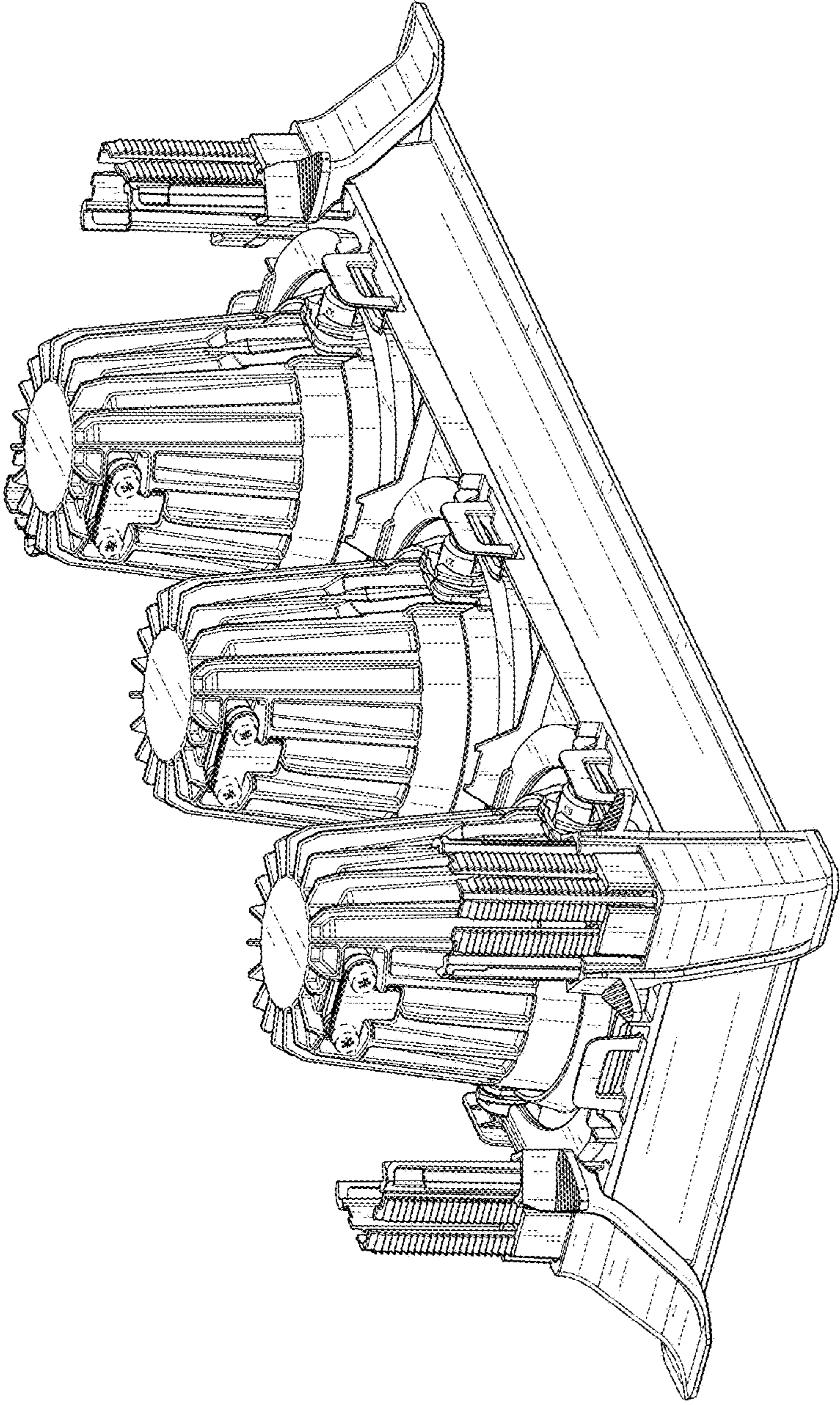


FIG. 4

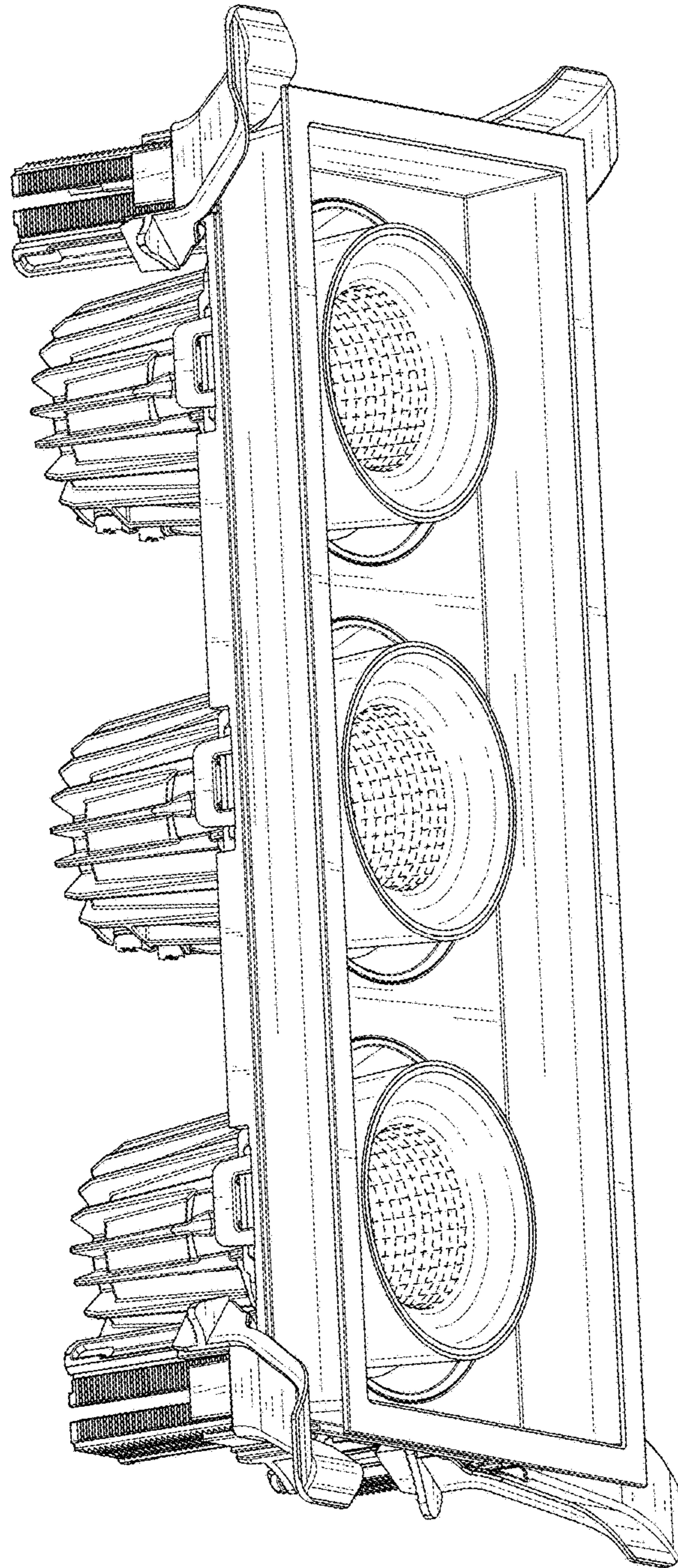


FIG. 5

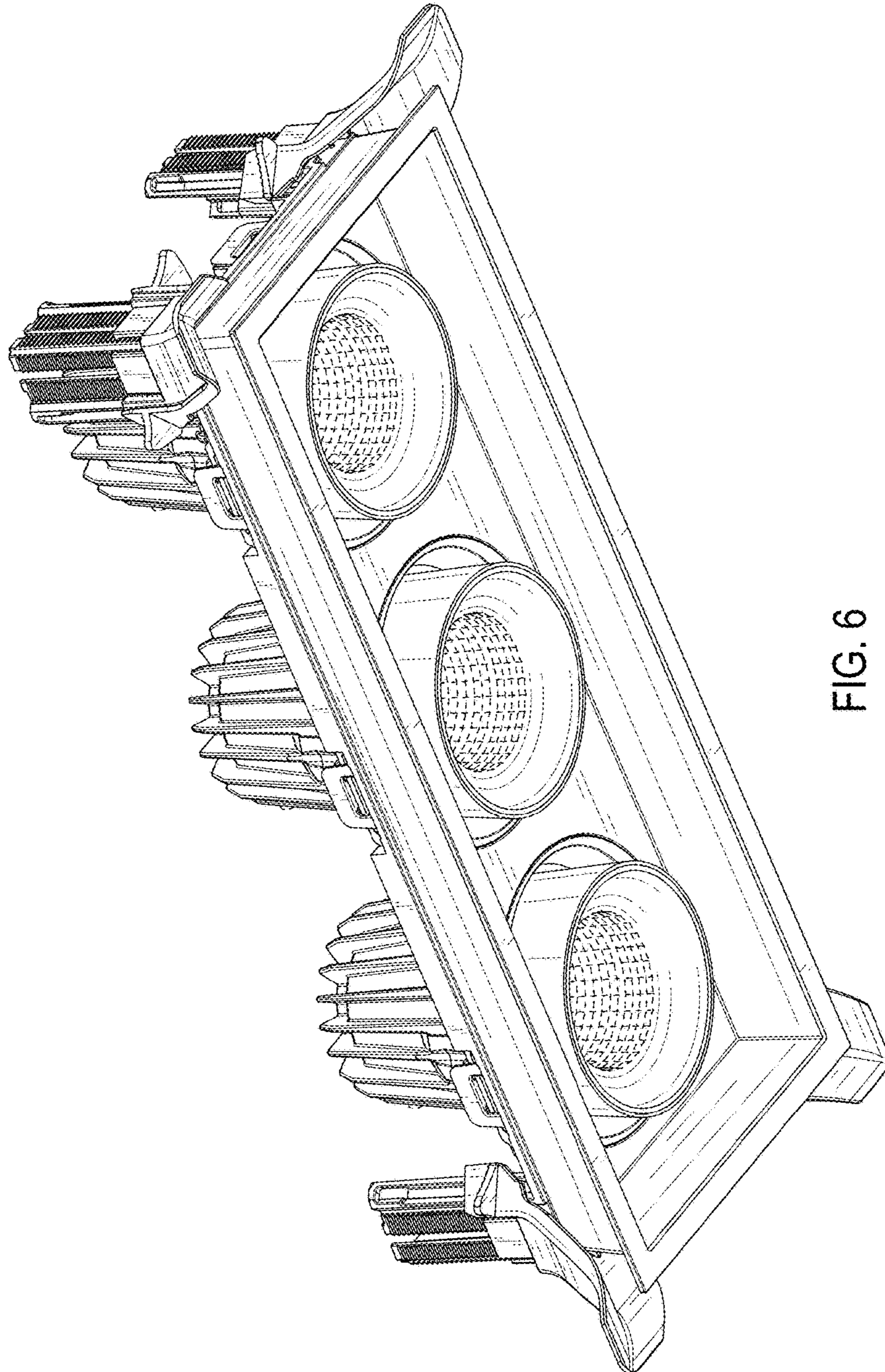


FIG. 6

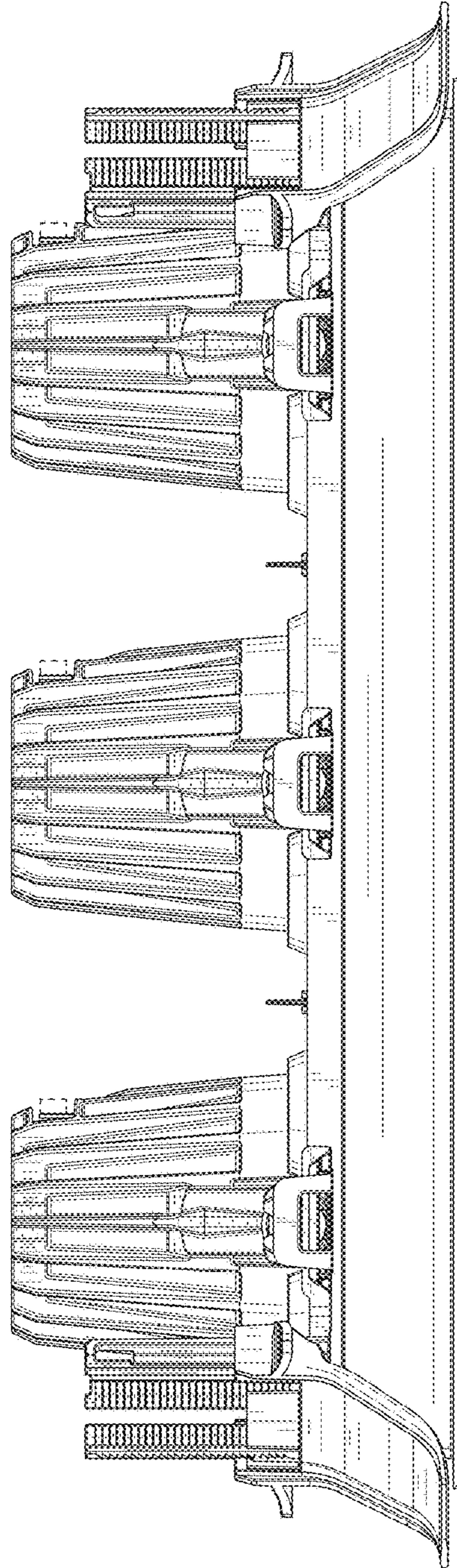


FIG. 7

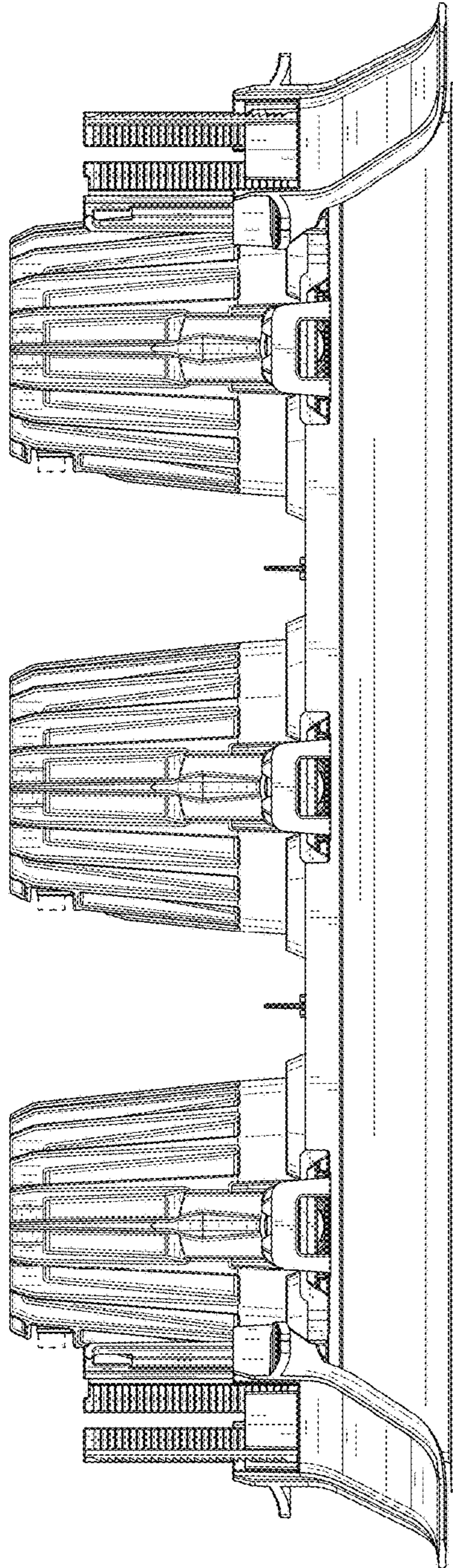


FIG. 8

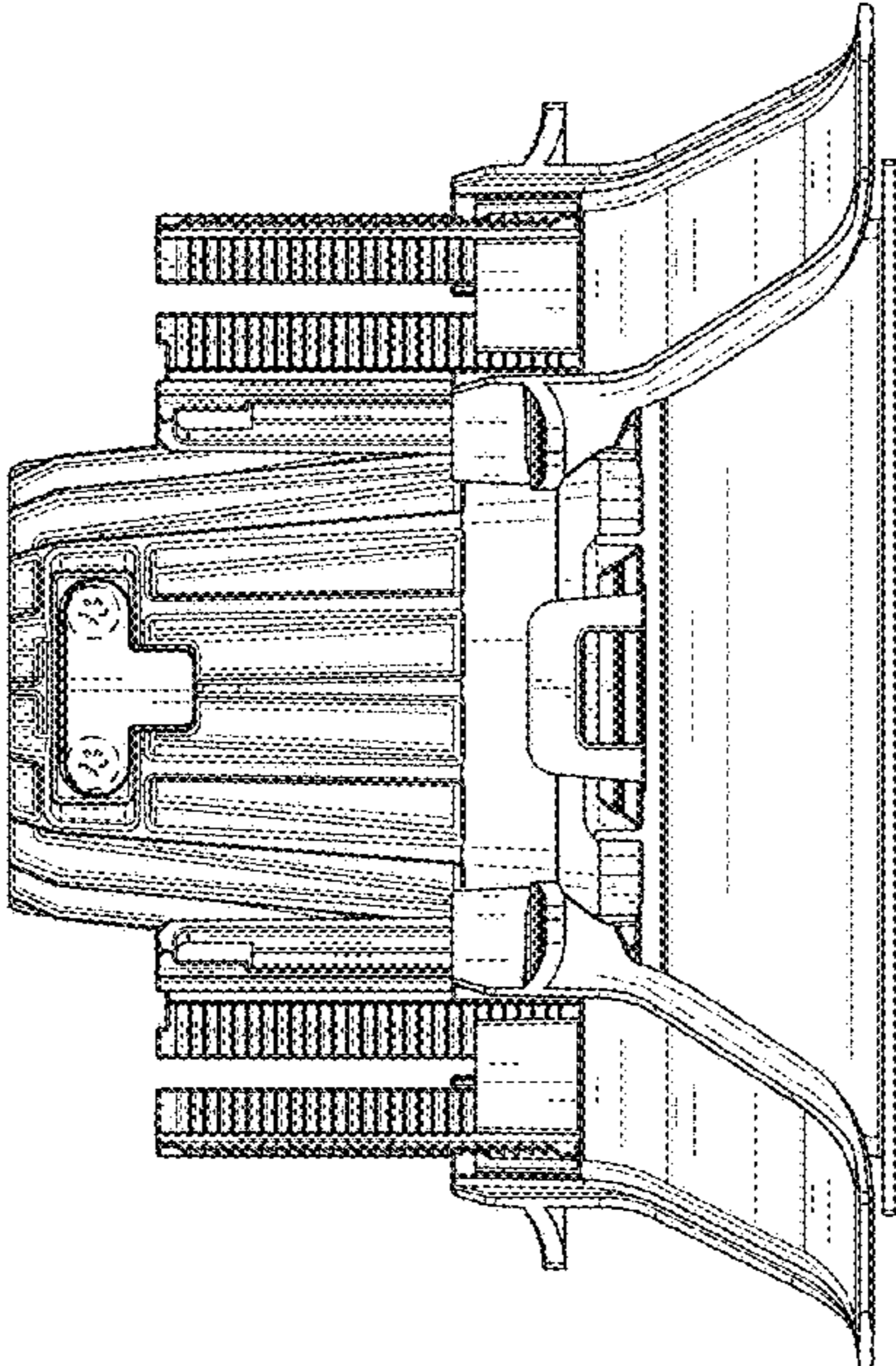


FIG. 10

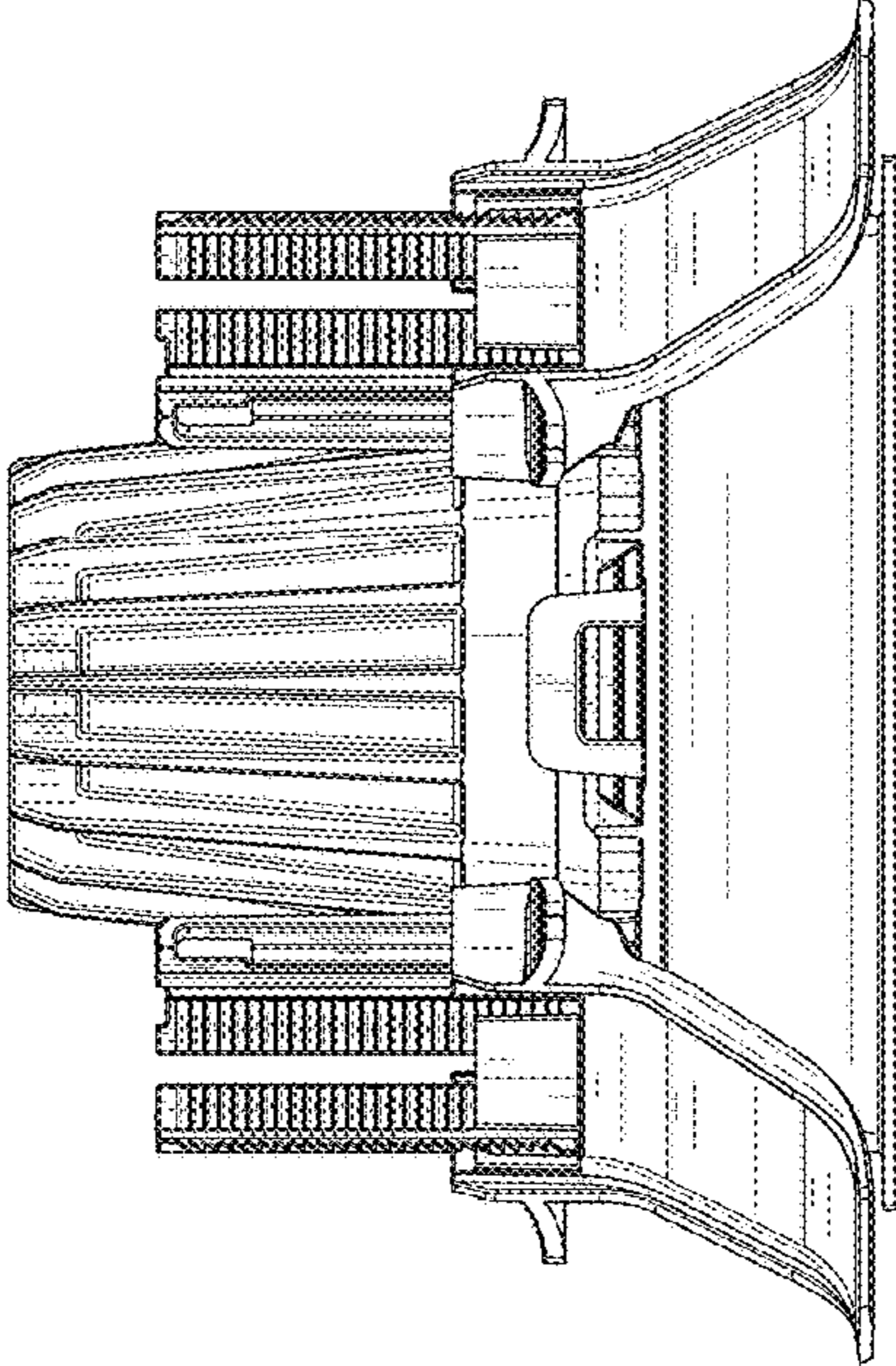


FIG. 9

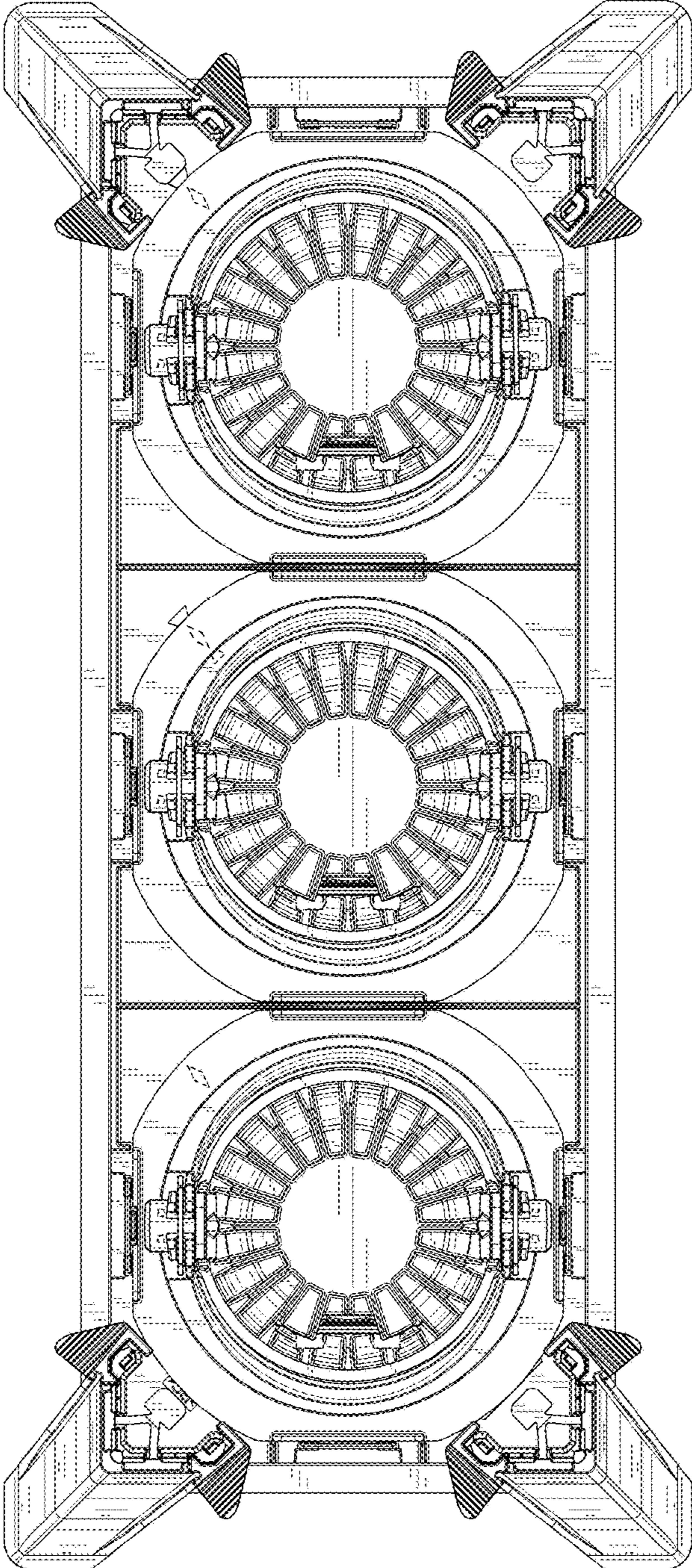


FIG. 11

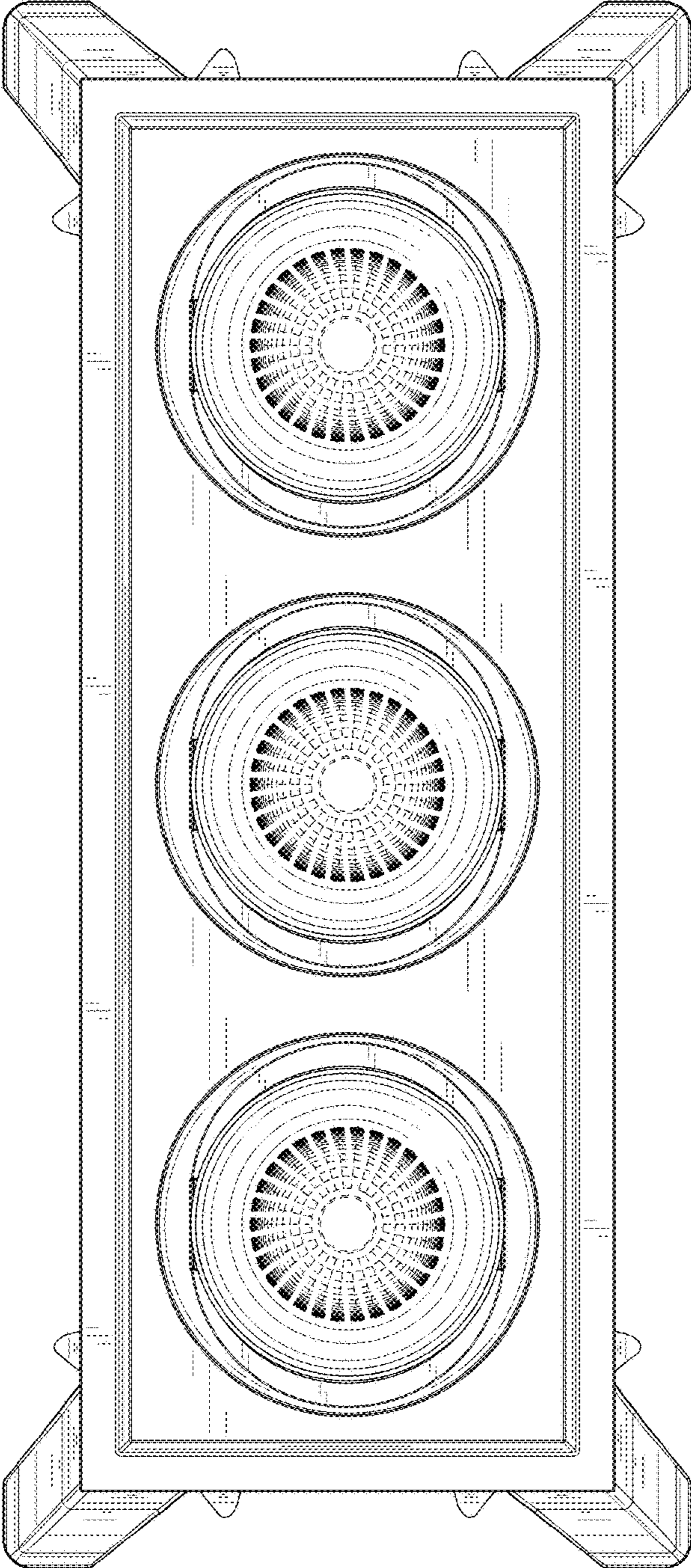


FIG. 12