



US00D855234S

(12) **United States Design Patent**
Qiu

(10) **Patent No.:** **US D855,234 S**

(45) **Date of Patent:** **** Jul. 30, 2019**

(54) **LIGHT**

(71) Applicant: **Ningbo Futai Electric Limited,**
Ningbo, Zhejiang (CN)

(72) Inventor: **Fujun Qiu,** Ningbo (CN)

(73) Assignee: **Ningbo Futai Electric Limited,**
Yinzhou, Ningbo (CN)

(**) Term: **15 Years**

(21) Appl. No.: **29/619,854**

(22) Filed: **Oct. 2, 2017**

(51) **LOC (11) Cl.** **26-05**

(52) **U.S. Cl.**
USPC **D26/74**

(58) **Field of Classification Search**
USPC D26/74, 72, 75, 76, 77, 78, 85, 88, 89,
D26/118, 138, 141, 61; 362/364, 365,
362/373, 145, 146, 147, 148, 150, 153,
362/153.1, 294, 296.01, 296, 296.08
CPC F21V 29/2262; F21V 7/06; F21V 21/044;
F21V 21/047; F21V 29/2212; F21V
29/2225; F21V 29/2256; F21V 29/225;
F21V 29/2268; F21Y 2111/002; F21S
8/02; F21S 8/026

See application file for complete search history.

(56) **References Cited**

U.S. PATENT DOCUMENTS

D345,226 S * 3/1994 Tsao D26/63
D353,474 S * 12/1994 Shyan D26/63

D357,548 S * 4/1995 Mattijssen D26/63
D549,859 S * 8/2007 Kovacik D26/37
D610,734 S * 2/2010 Ward D26/74
D695,435 S * 12/2013 Pedersen D26/63
D736,442 S * 8/2015 Kovacik D26/37
D761,473 S * 7/2016 Zhang D26/63
D779,094 S * 2/2017 Xu D26/63
D797,338 S * 9/2017 Wang D26/63
D802,816 S * 11/2017 Kjaergaard Toft D26/74
D820,489 S * 6/2018 Zhang D26/44
D827,916 S * 9/2018 Green D26/138

* cited by examiner

Primary Examiner — Angela J Lee

(74) *Attorney, Agent, or Firm* — Raymond Y. Chan;
David and Raymond Patent Firm

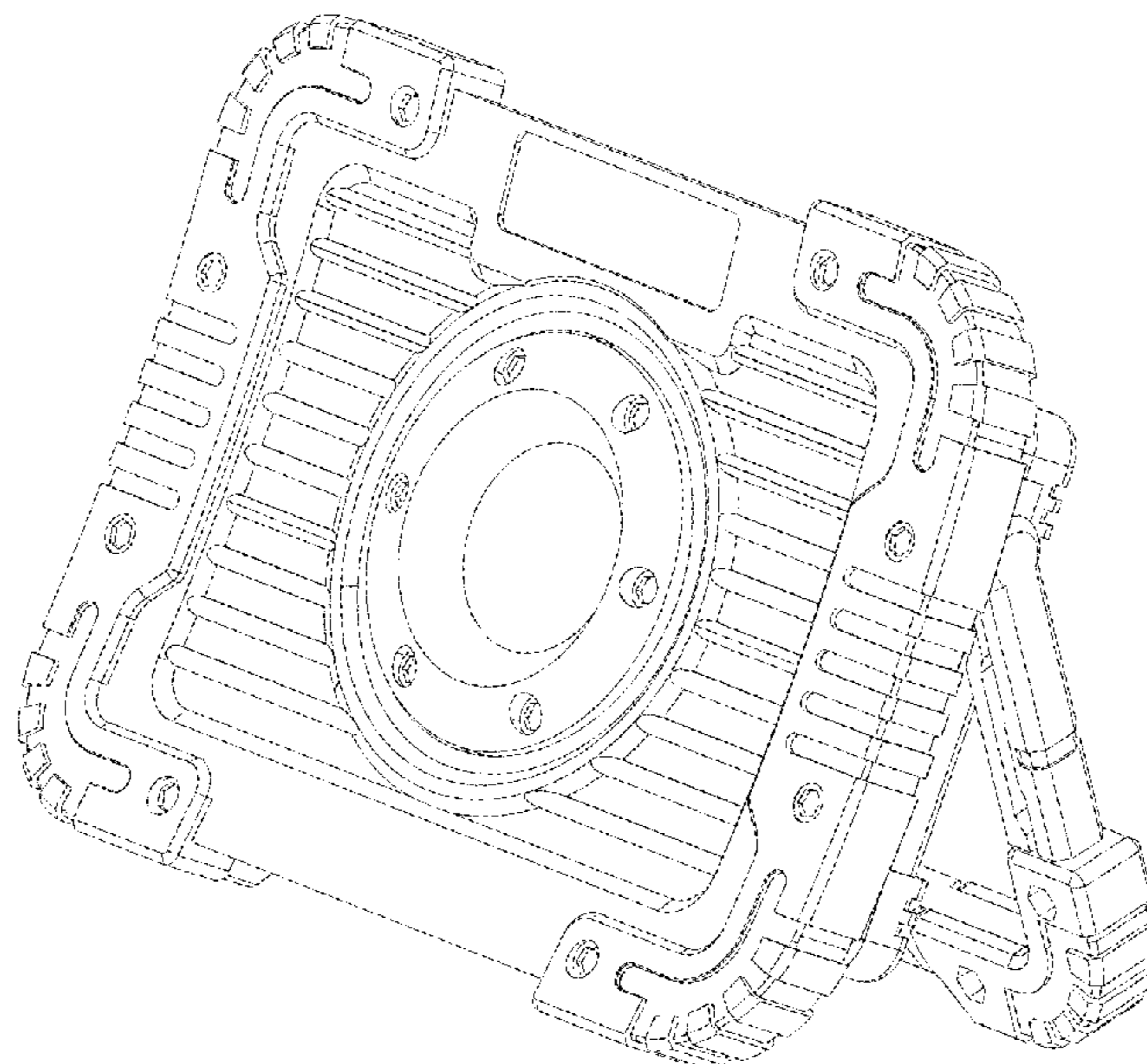
(57) **CLAIM**

The ornamental design for a light, as shown and described.

DESCRIPTION

FIG. 1 is a top view of the light of my new design;
FIG. 2 is a rear view thereof;
FIG. 3 is a front perspective view thereof;
FIG. 4 is a rear perspective view thereof;
FIG. 5 is a front perspective view of the light in a standing
position;
FIG. 6 is a bottom view thereof;
FIG. 7 is a right view thereof;
FIG. 8 is a front view thereof; and,
FIG. 9 is a left view thereof.

1 Claim, 9 Drawing Sheets



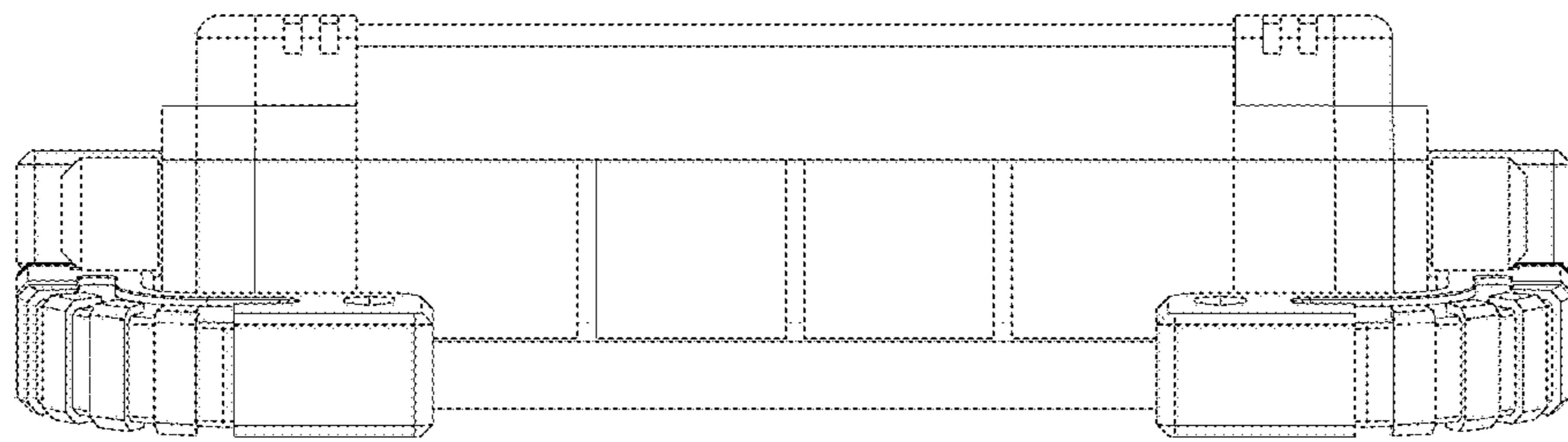


FIG. 1

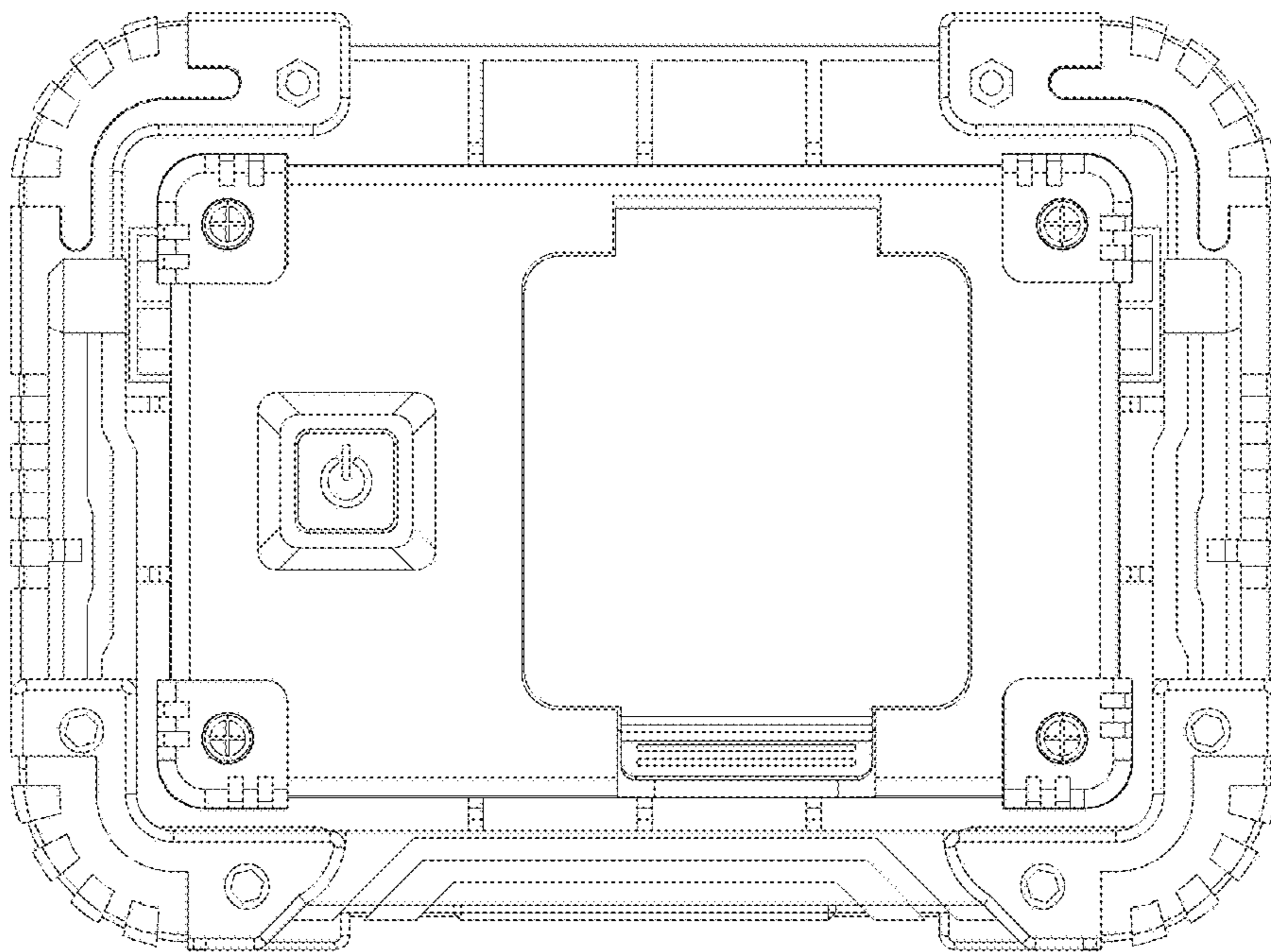


FIG. 2

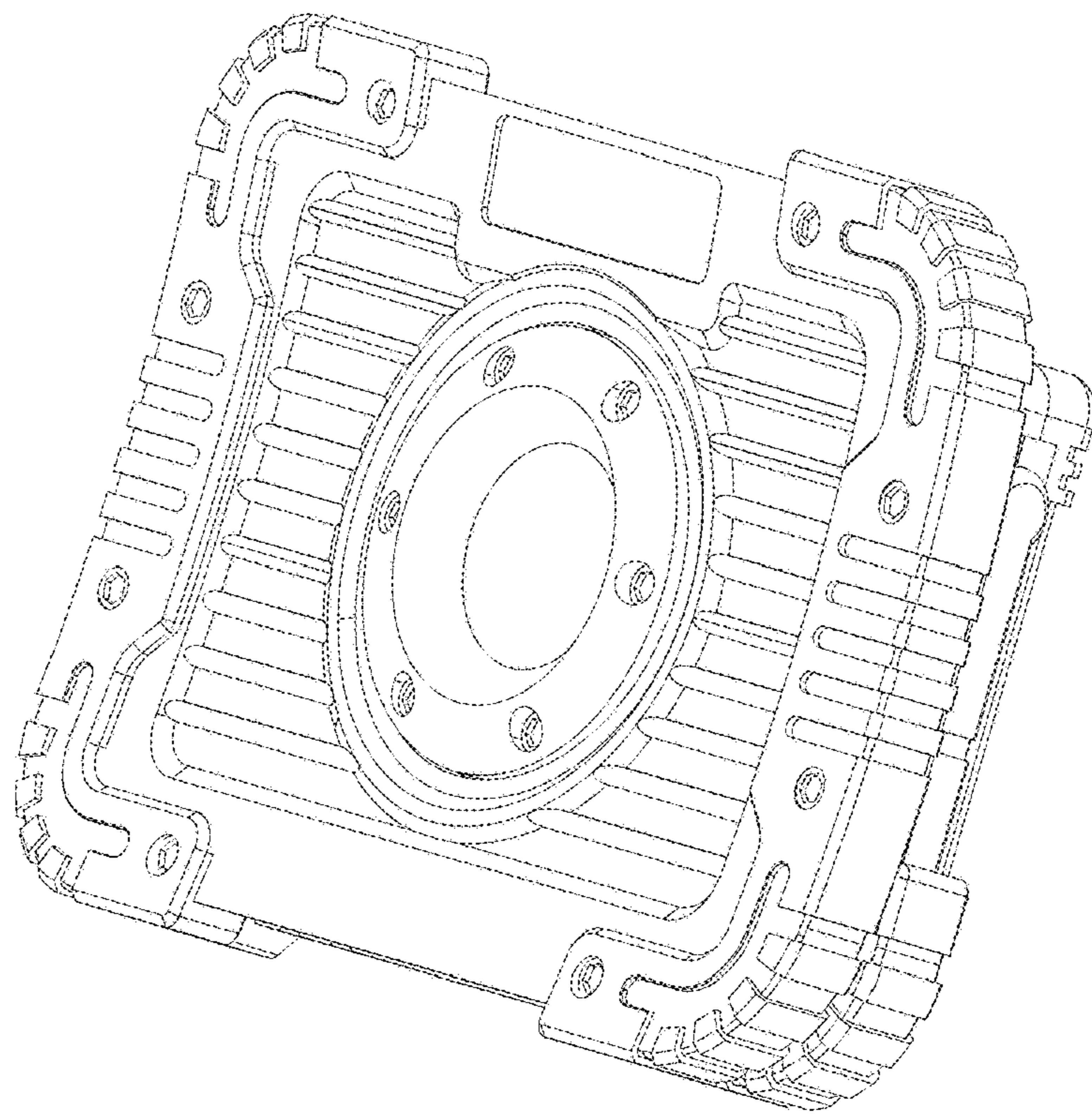


FIG. 3

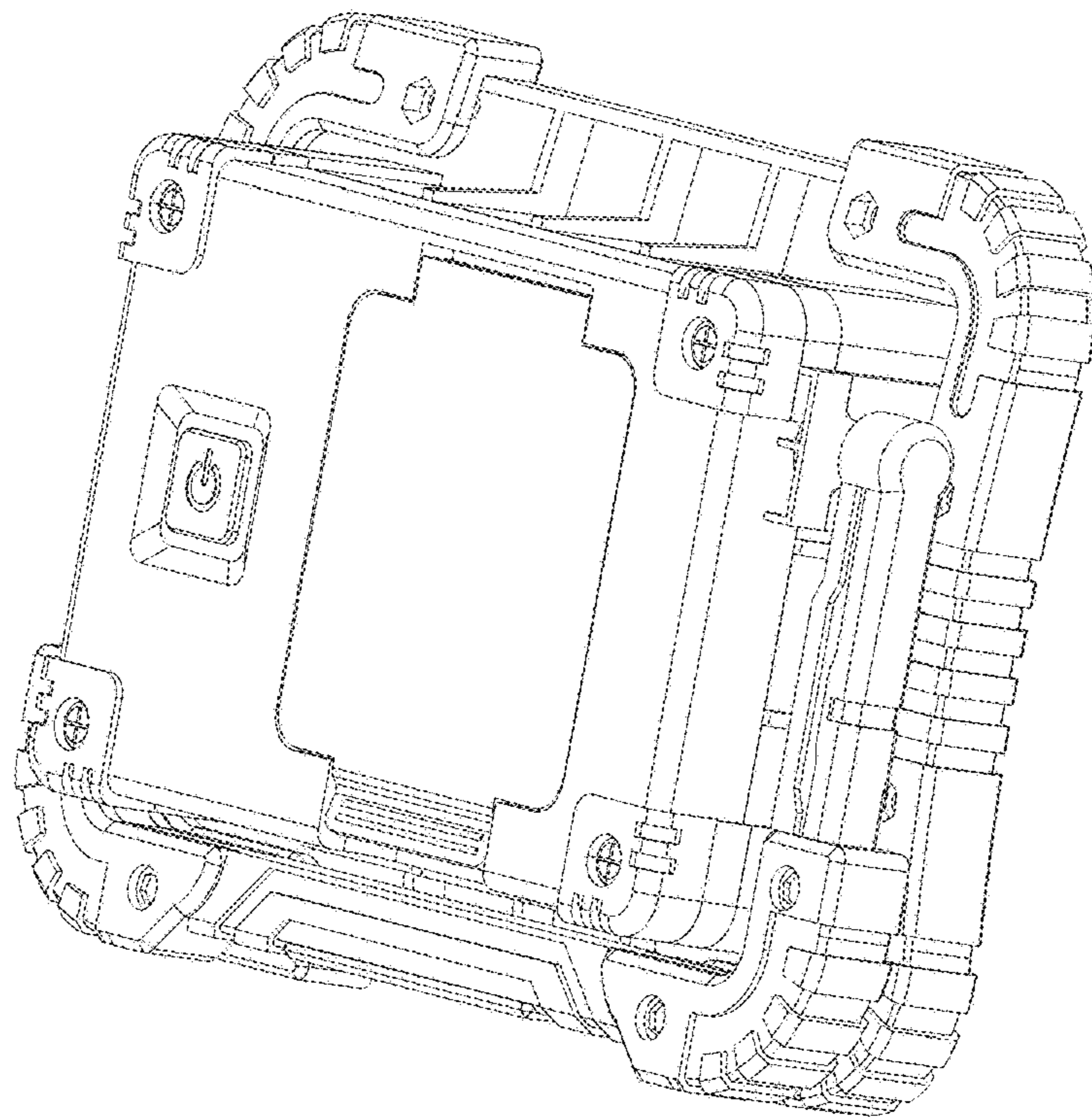


FIG. 4

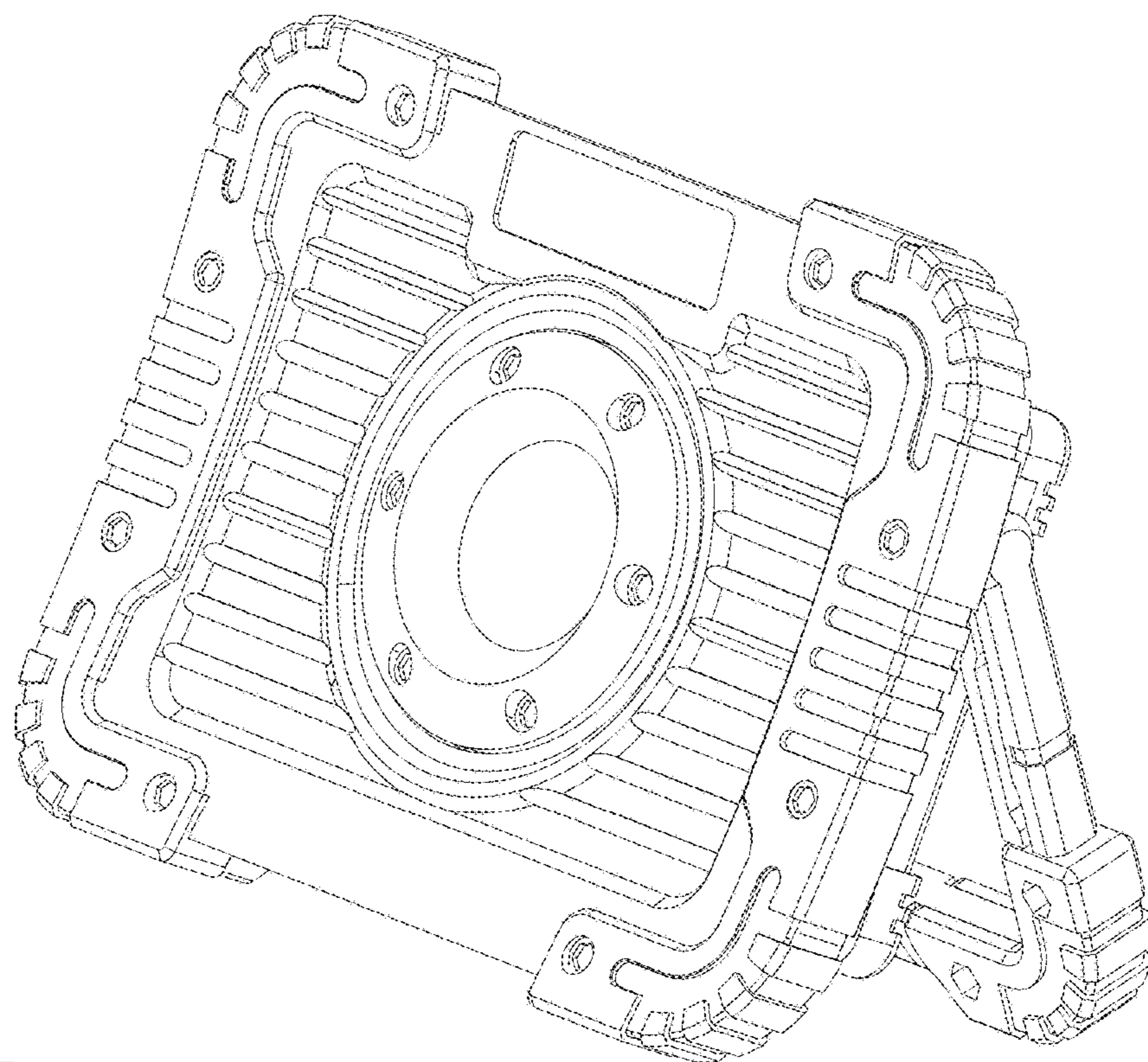


FIG. 5

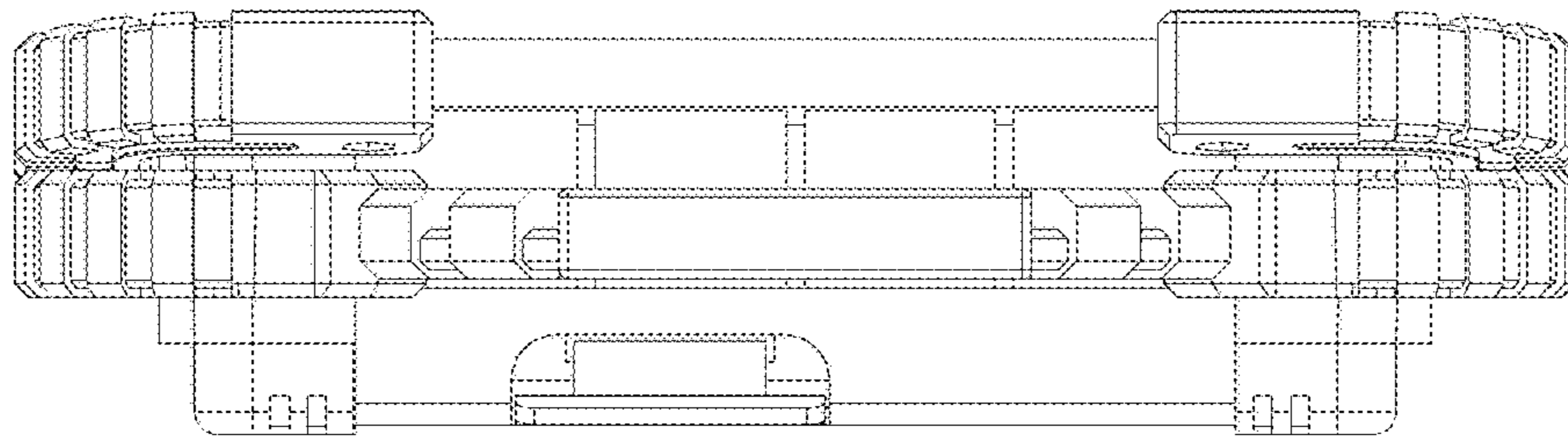


FIG. 6

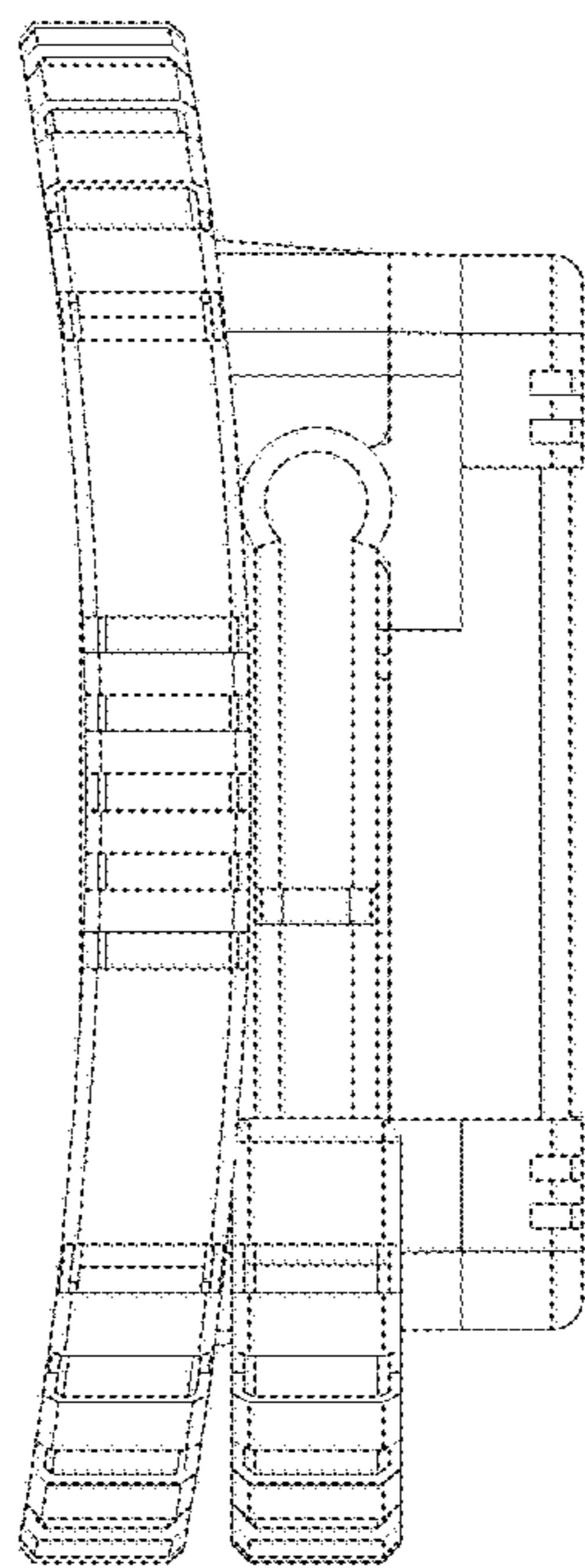


FIG. 7

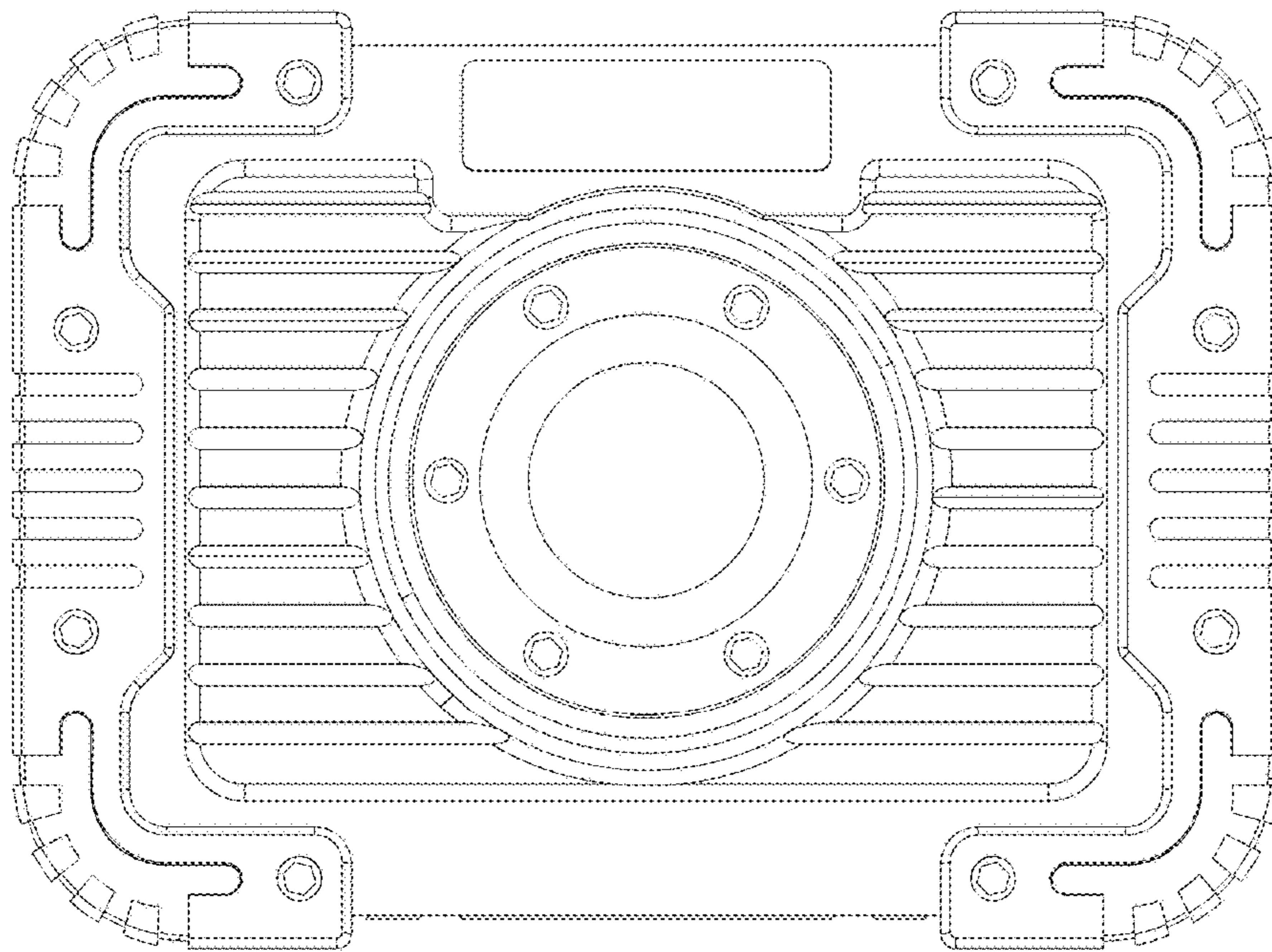


FIG. 8

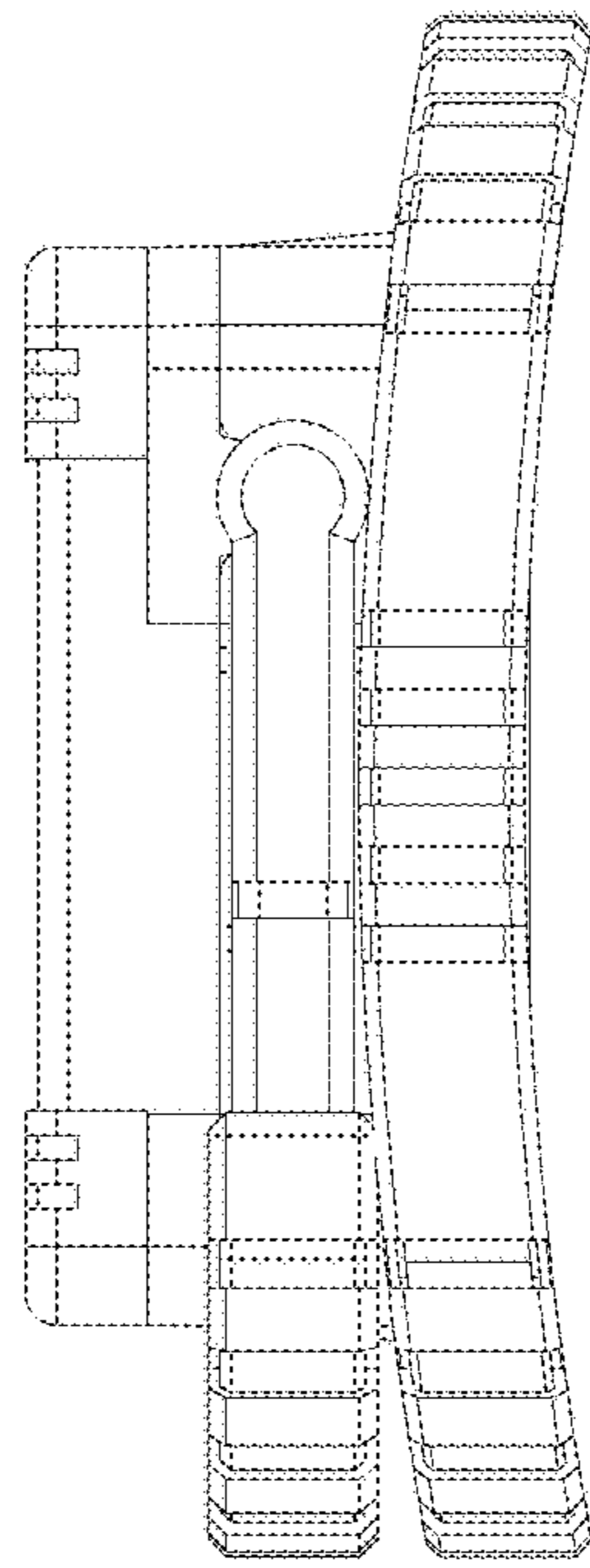


FIG. 9