



US00D855233S

(12) **United States Design Patent** (10) **Patent No.:** **US D855,233 S**
Qiu (45) **Date of Patent:** **** Jul. 30, 2019**

(54) **LIGHT**
(71) Applicant: **Ningbo Futai Electric Limited,**
Ningbo, Zhejiang (CN)
(72) Inventor: **Fujun Qiu,** Ningbo (CN)
(73) Assignee: **Ningbo Futai Electric Limited,**
Yinzhou, Ningbo (CN)
(**) Term: **15 Years**

D357,548 S *	4/1995	Mattijssen	D26/63
D549,859 S *	8/2007	Kovacik	D26/37
D610,734 S *	2/2010	Ward	D26/74
D695,435 S *	12/2013	Pedersen	D26/63
D736,442 S *	8/2015	Kovacik	D26/37
D761,473 S *	7/2016	Zhang	D26/63
D779,094 S *	2/2017	Xu	D26/63
D797,338 S *	9/2017	Wang	D26/63
D802,816 S *	11/2017	Kjaergaard Toft	D26/74
D820,489 S *	6/2018	Zhang	D26/44
D827,916 S *	9/2018	Green	D26/138

* cited by examiner

(21) Appl. No.: **29/619,850**
(22) Filed: **Oct. 2, 2017**

Primary Examiner — Angela J Lee
(74) *Attorney, Agent, or Firm* — Raymond Y. Chan;
David and Raymond Patent Firm

(30) **Foreign Application Priority Data**

Apr. 1, 2017 (CN) 2017 3 0104869

(51) **LOC (11) Cl.** **26-05**
(52) **U.S. Cl.**
USPC **D26/74**

(57) **CLAIM**

The ornamental design for a light, as shown and described.

(58) **Field of Classification Search**
USPC D26/74, 72, 75, 76, 77, 78, 85, 88, 89,
D26/118, 138, 141, 61; 362/364, 365,
362/373, 145, 146, 147, 148, 150, 153,
362/153.1, 294, 296.01, 296, 296.08
CPC F21V 29/2262; F21V 7/06; F21V 21/044;
F21V 21/047; F21V 29/2212; F21V
29/2225; F21V 29/2256; F21V 29/225;
F21V 29/2268; F21Y 2111/002; F21S
8/02; F21S 8/026
See application file for complete search history.

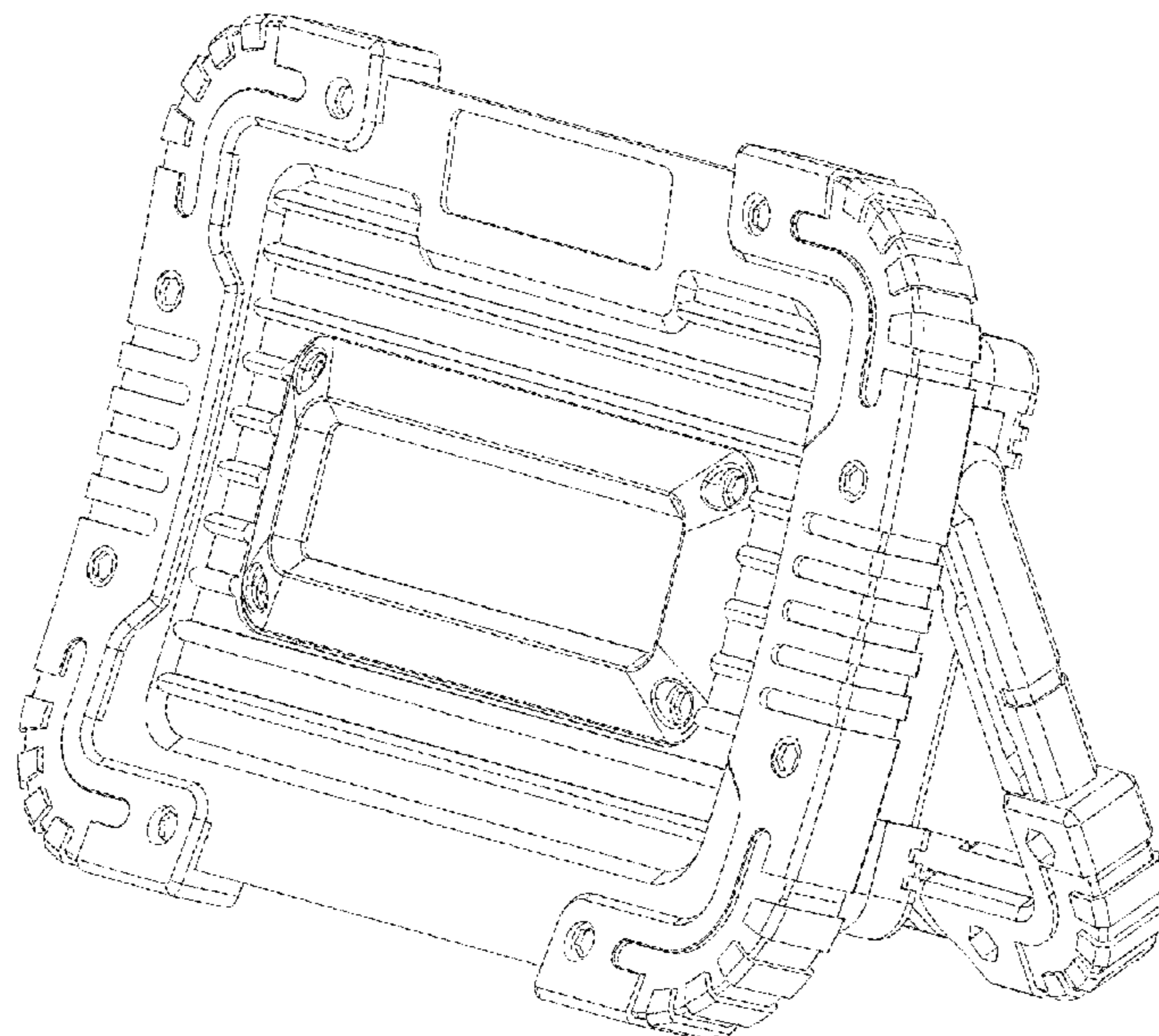
DESCRIPTION

FIG. 1 is a top view of the light of my new design;
FIG. 2 is a rear view thereof;
FIG. 3 is a front perspective view thereof;
FIG. 4 is a rear perspective view thereof;
FIG. 5 is a front perspective view of the light in a standing
position;
FIG. 6 is a bottom view thereof;
FIG. 7 is a right view thereof;
FIG. 8 is a front view thereof; and,
FIG. 9 is a left view thereof.

(56) **References Cited**
U.S. PATENT DOCUMENTS

D345,226 S *	3/1994	Tsao	D26/63
D353,474 S *	12/1994	Shyan	D26/63

1 Claim, 9 Drawing Sheets



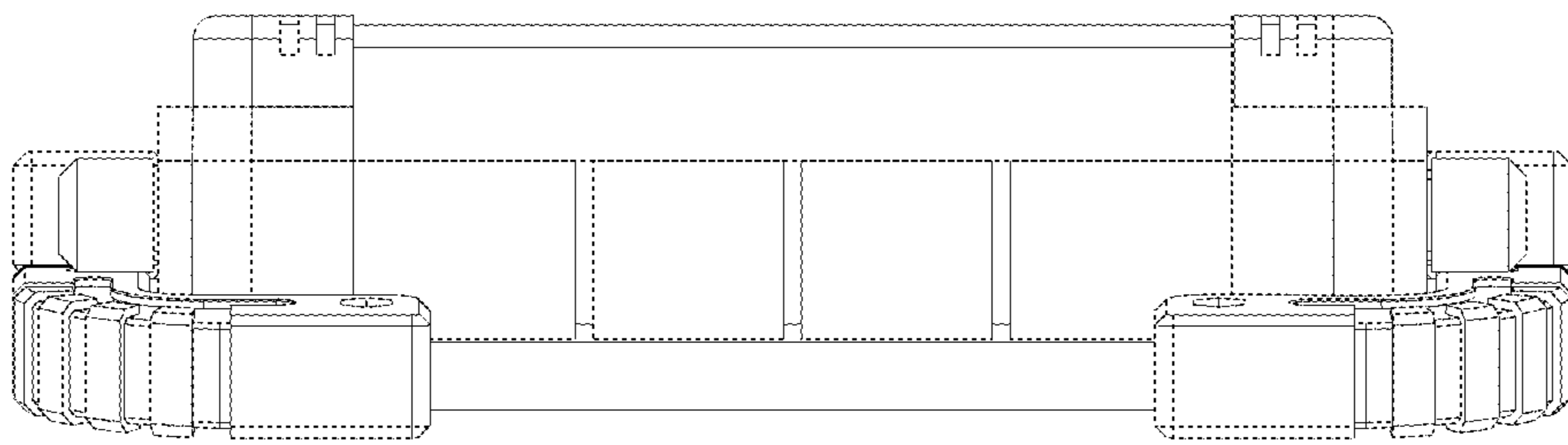


FIG. 1

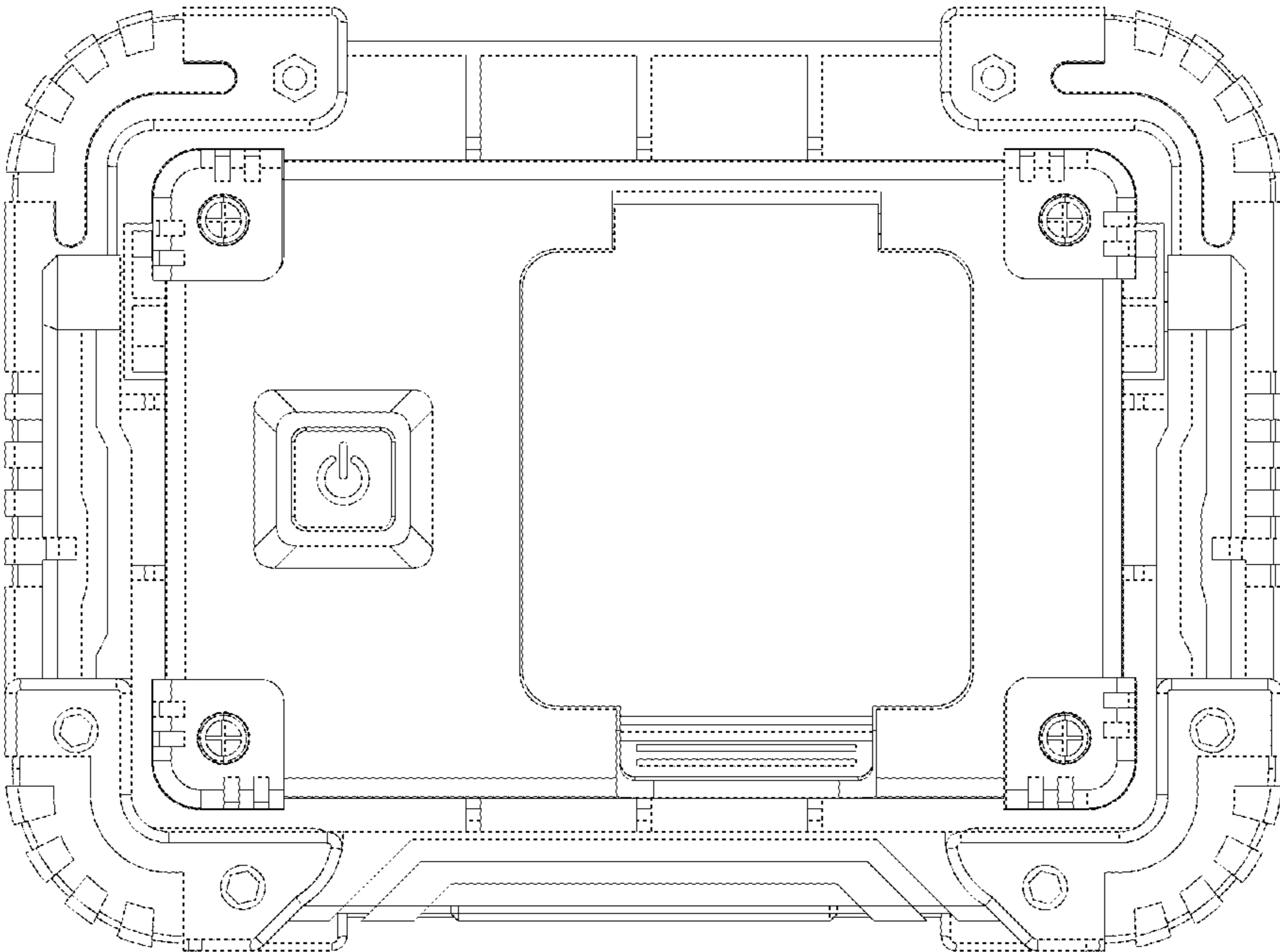


FIG. 2

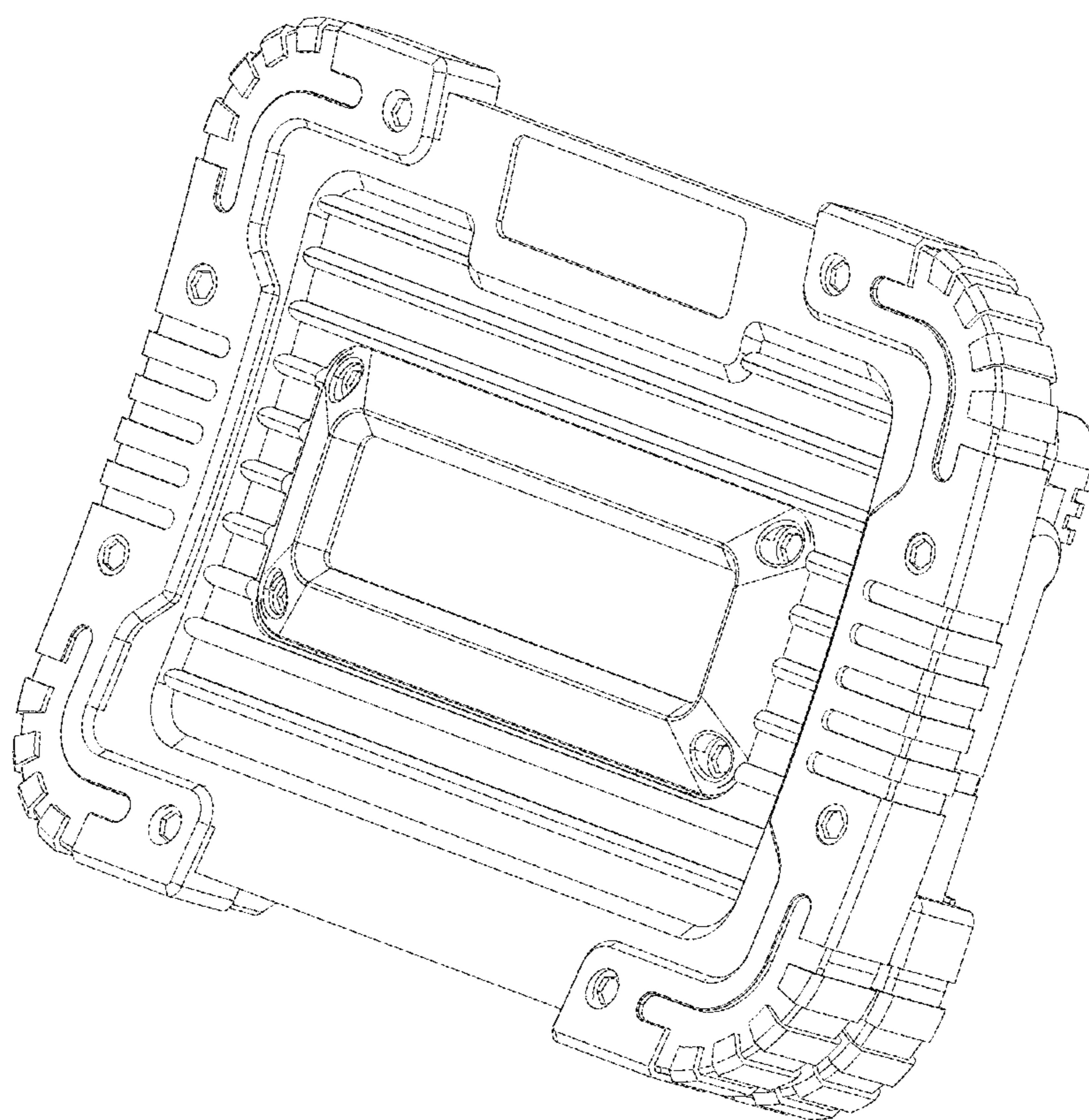


FIG. 3

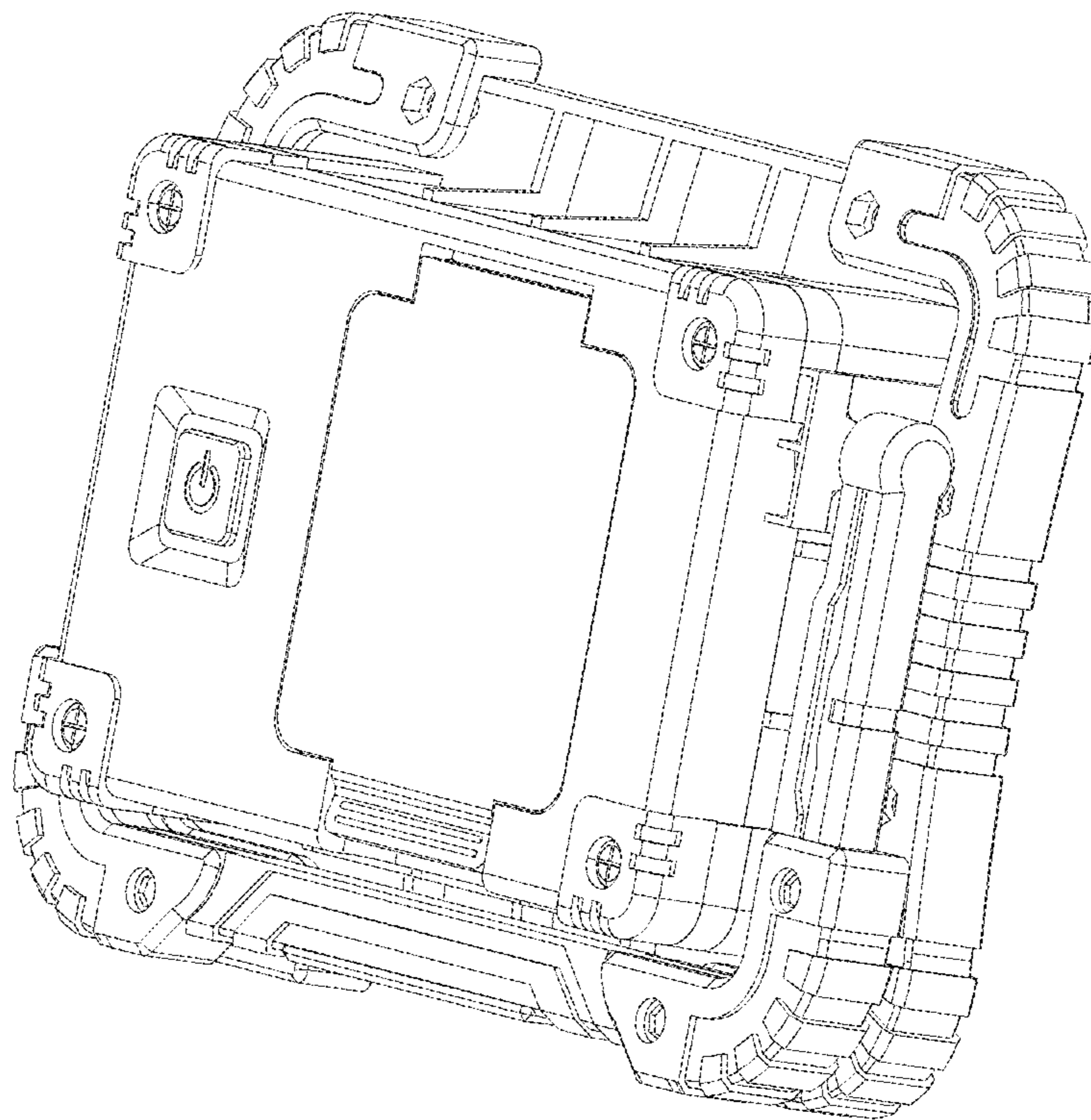


FIG. 4

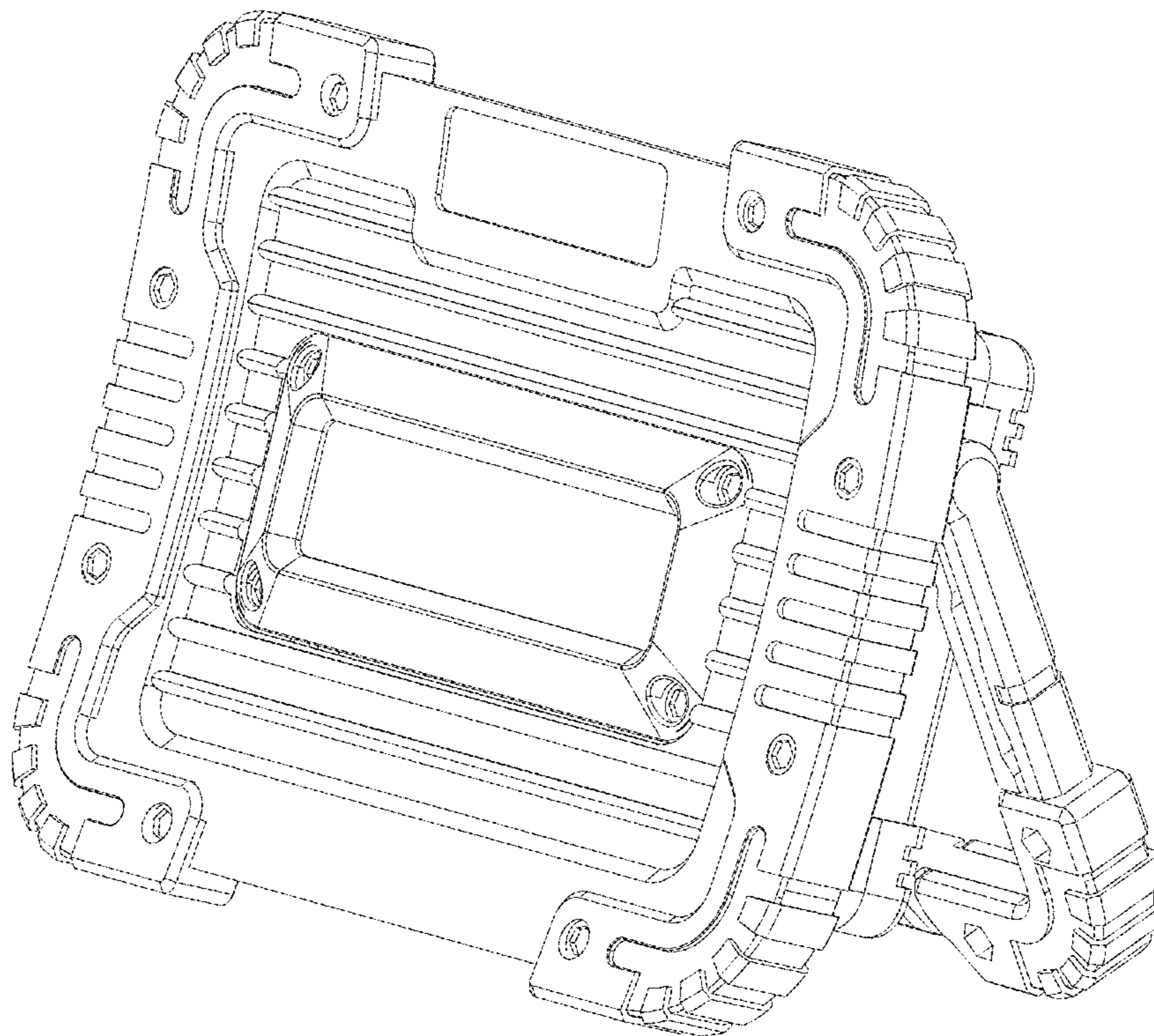


FIG. 5

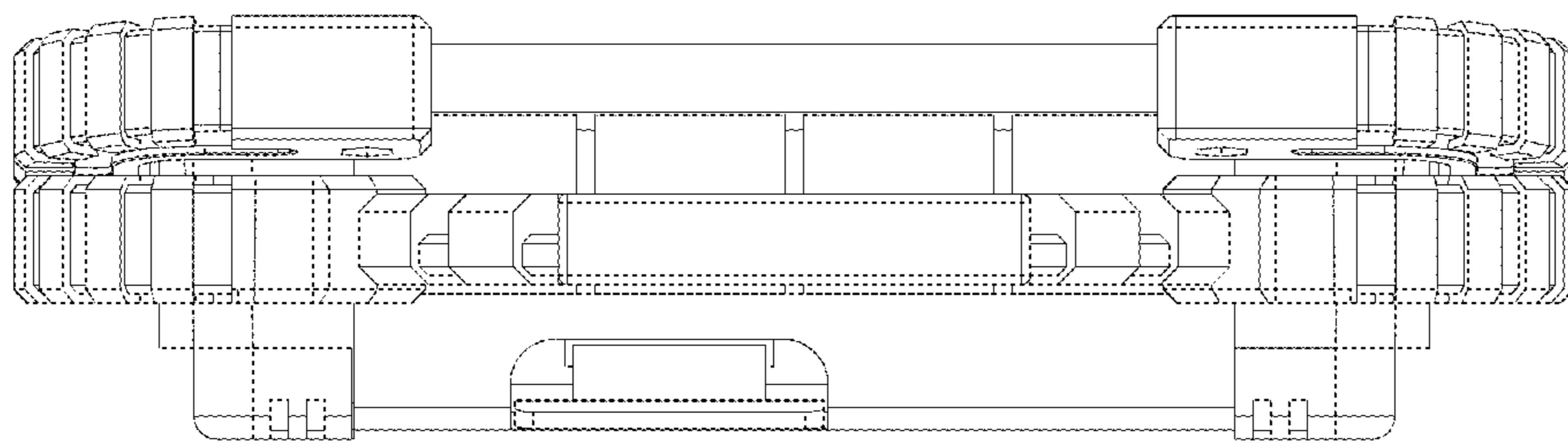


FIG.6

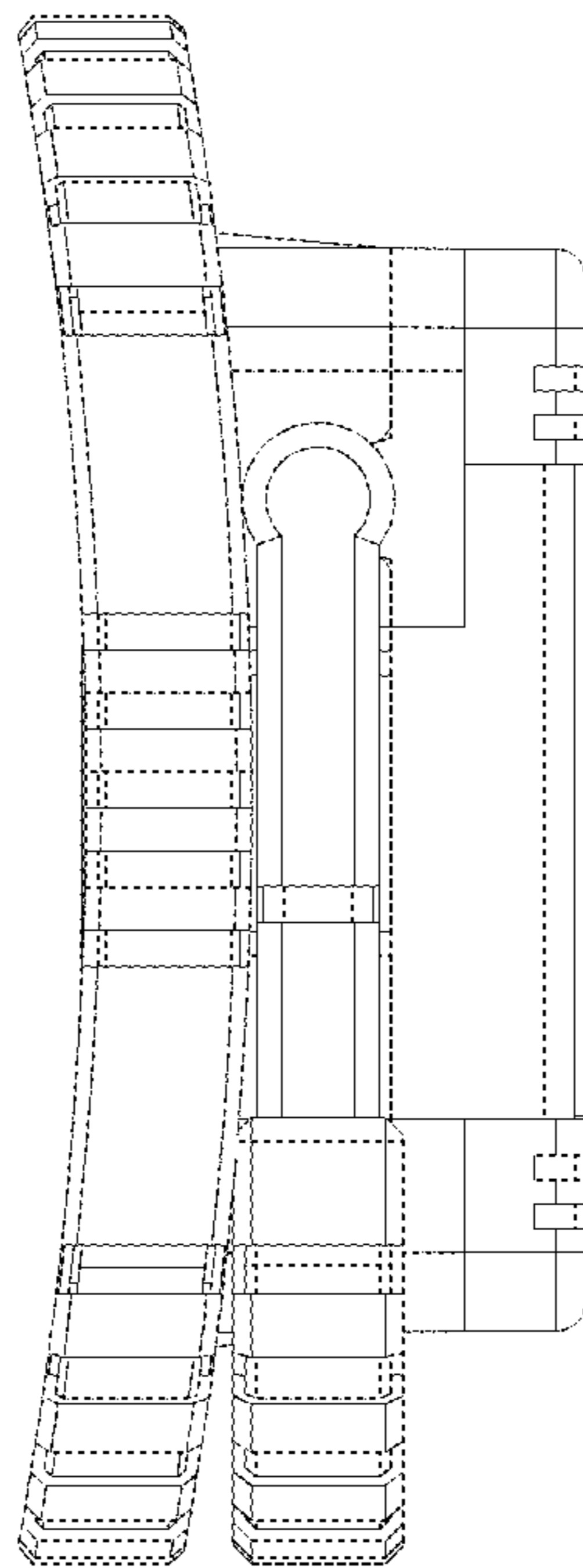


FIG. 7

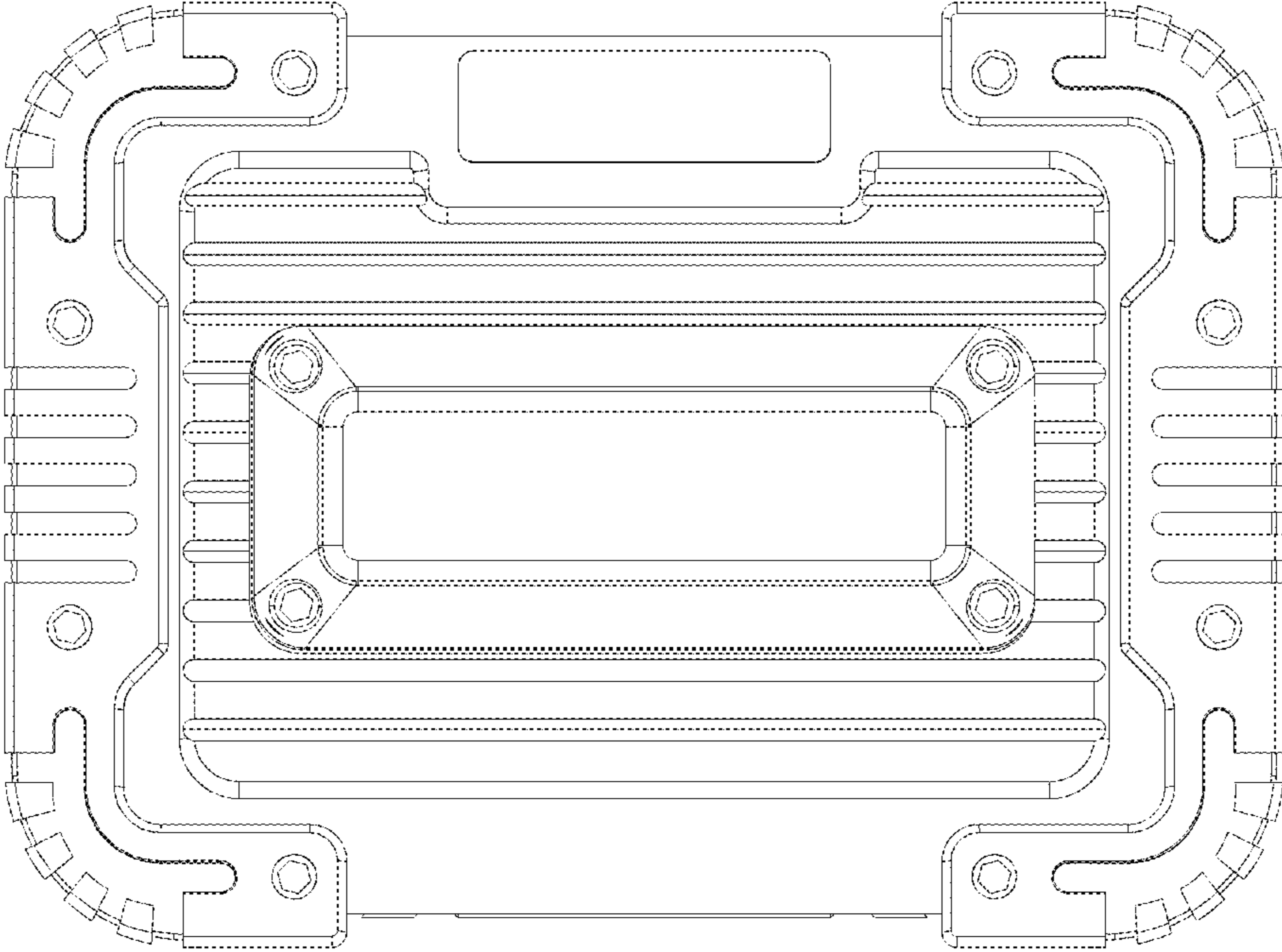


FIG. 8

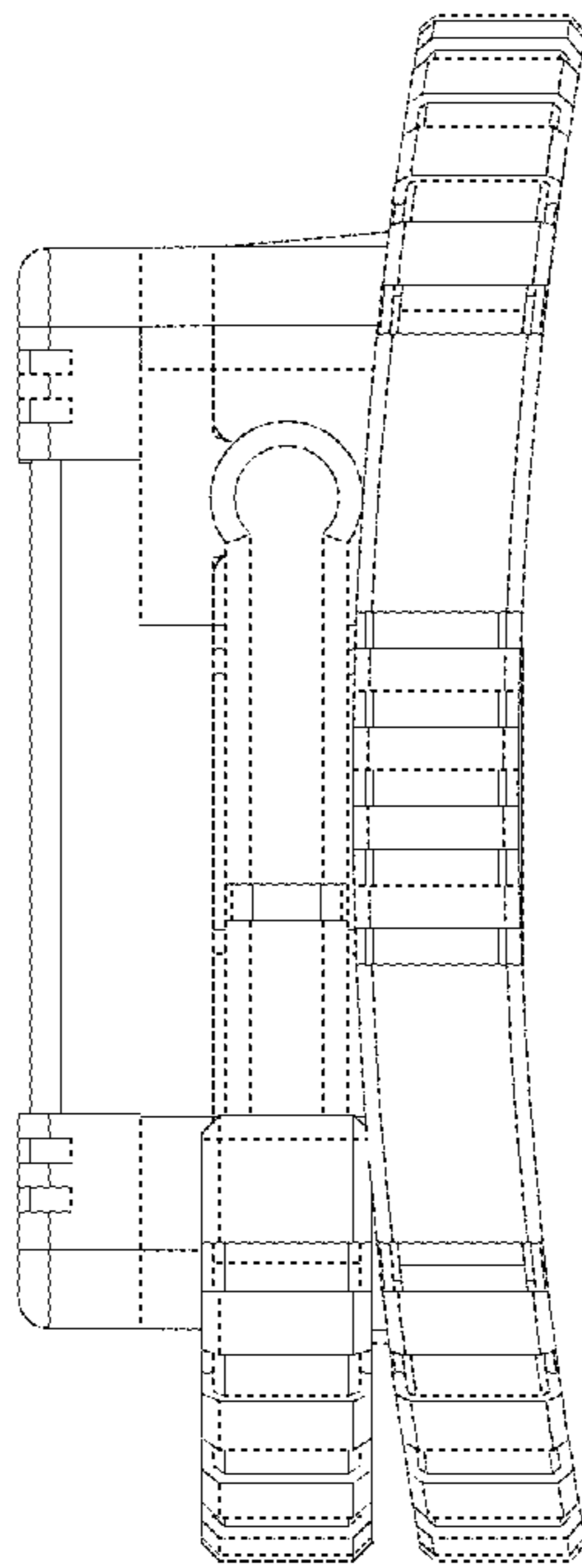


FIG. 9