



US00D855231S

(12) **United States Design Patent**
Huang

(10) **Patent No.:** **US D855,231 S**

(45) **Date of Patent:** **** Jul. 30, 2019**

(54) **LAMP**

(71) Applicant: **Shenzhen Yuegang Optical Co., Ltd.**,
Shenzhen, Guangdong (CN)

(72) Inventor: **Rong Huang**, Guangdong (CN)

(73) Assignee: **Shenzhen Yuegang Optical Co., Ltd.**,
Shenzhen (CN)

(**) Term: **15 Years**

(21) Appl. No.: **29/622,698**

(22) Filed: **Oct. 19, 2017**

(51) **LOC (11) Cl.** **26-03**

(52) **U.S. Cl.**
USPC **D26/63**

(58) **Field of Classification Search**
USPC D26/24, 60-65, 93
CPC F21S 8/00; F21S 8/02; F21S 8/003; F21S
8/026; F21S 8/03; F21S 8/038; F21S
8/04; F21S 8/043; F21S 6/00; F21V
5/046; F21V 5/04; F21V 1/00; F21V
5/00; F21V 21/02; F21V 15/01
See application file for complete search history.

(56) **References Cited**

U.S. PATENT DOCUMENTS

D242,945 S * 1/1977 Moore D26/65
D316,303 S * 4/1991 Layne D26/63

D335,193 S * 4/1993 Shaanan D26/63
D346,234 S * 4/1994 Sammis D26/63
D407,518 S * 3/1999 Yeh D26/63
D427,696 S * 7/2000 Scott D26/63
D562,486 S * 2/2008 Luke D26/61
D715,474 S * 10/2014 Janos D26/63
D729,965 S * 5/2015 Recker D26/63
D767,192 S * 9/2016 Cai D26/63
D806,298 S * 12/2017 Recker D26/63
D812,280 S * 3/2018 Lechtenberg D26/63

* cited by examiner

Primary Examiner — Brian N. Vinson

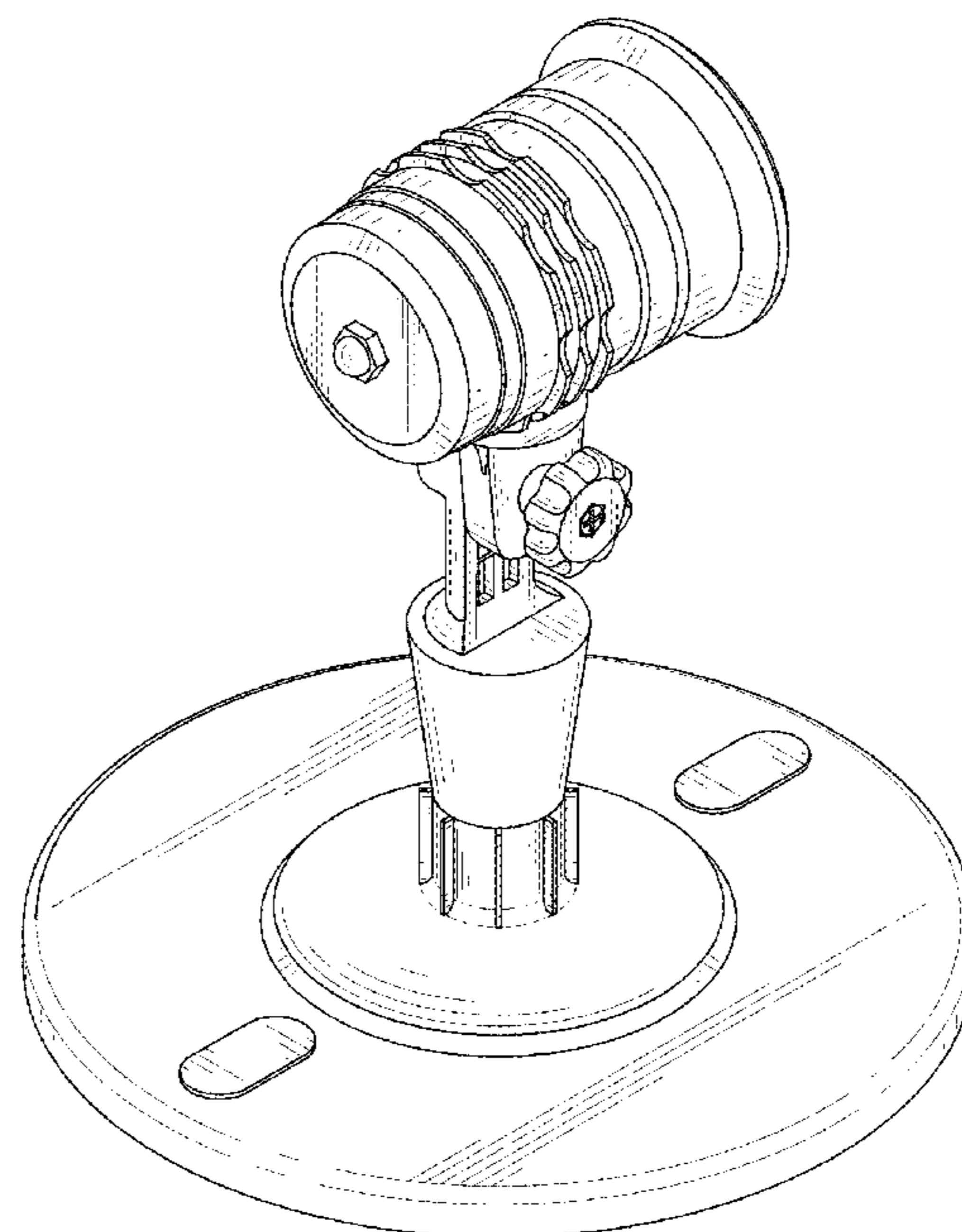
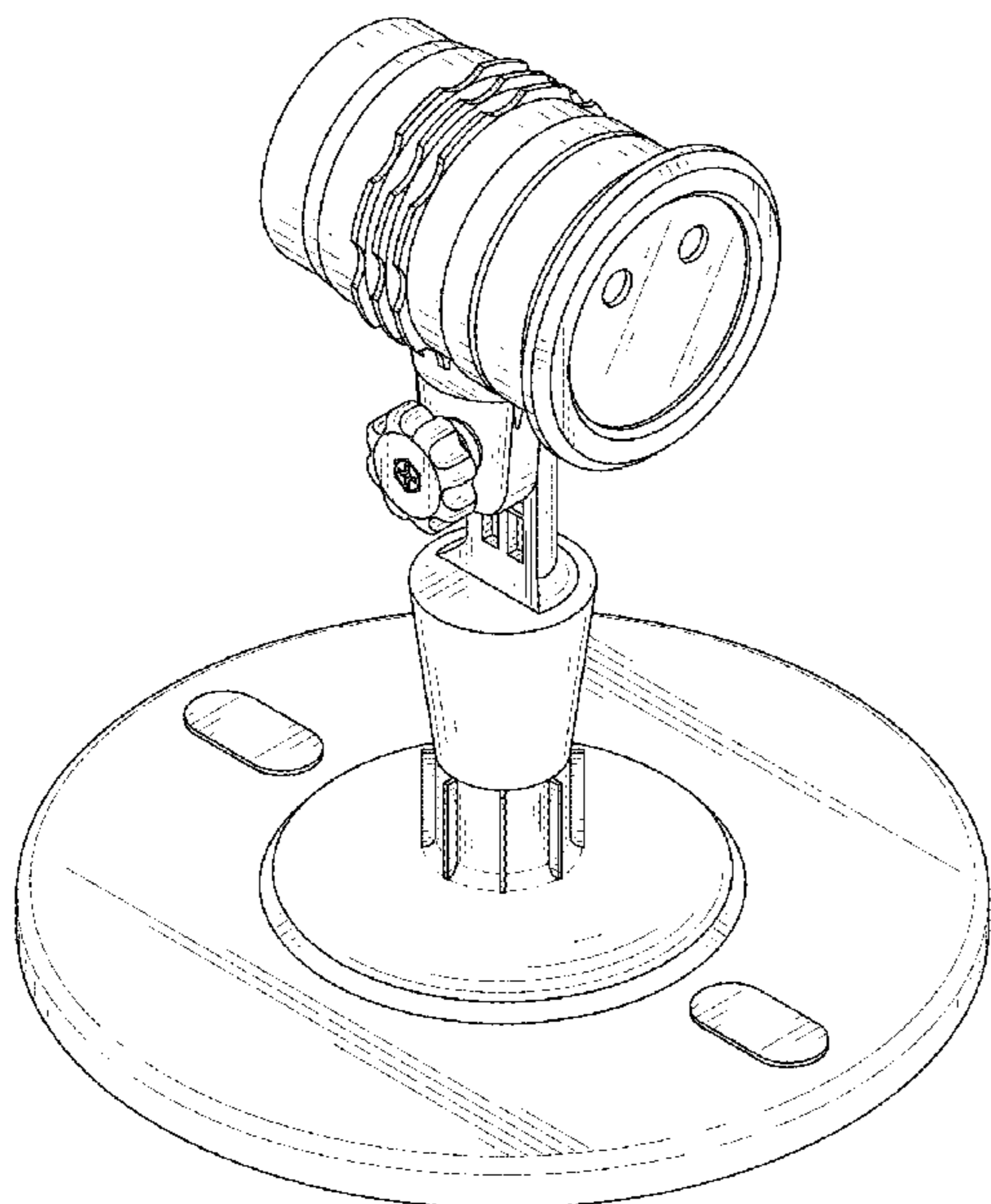
(57) **CLAIM**

The ornamental design for a lamp, as shown and described.

DESCRIPTION

FIG. 1 is a front elevational view of a lamp showing my new design;
FIG. 2 is a rear elevational view thereof;
FIG. 3 is a left side view thereof;
FIG. 4 is a right side view thereof;
FIG. 5 is a top plan view thereof;
FIG. 6 is a bottom plan view thereof;
FIG. 7 is a first perspective view thereof; and,
FIG. 8 is a second perspective view thereof.
The broken lines in the drawings illustrate portions of the lamp which form no part of the claimed design.
The diagonal lines indicate transparency.

1 Claim, 8 Drawing Sheets



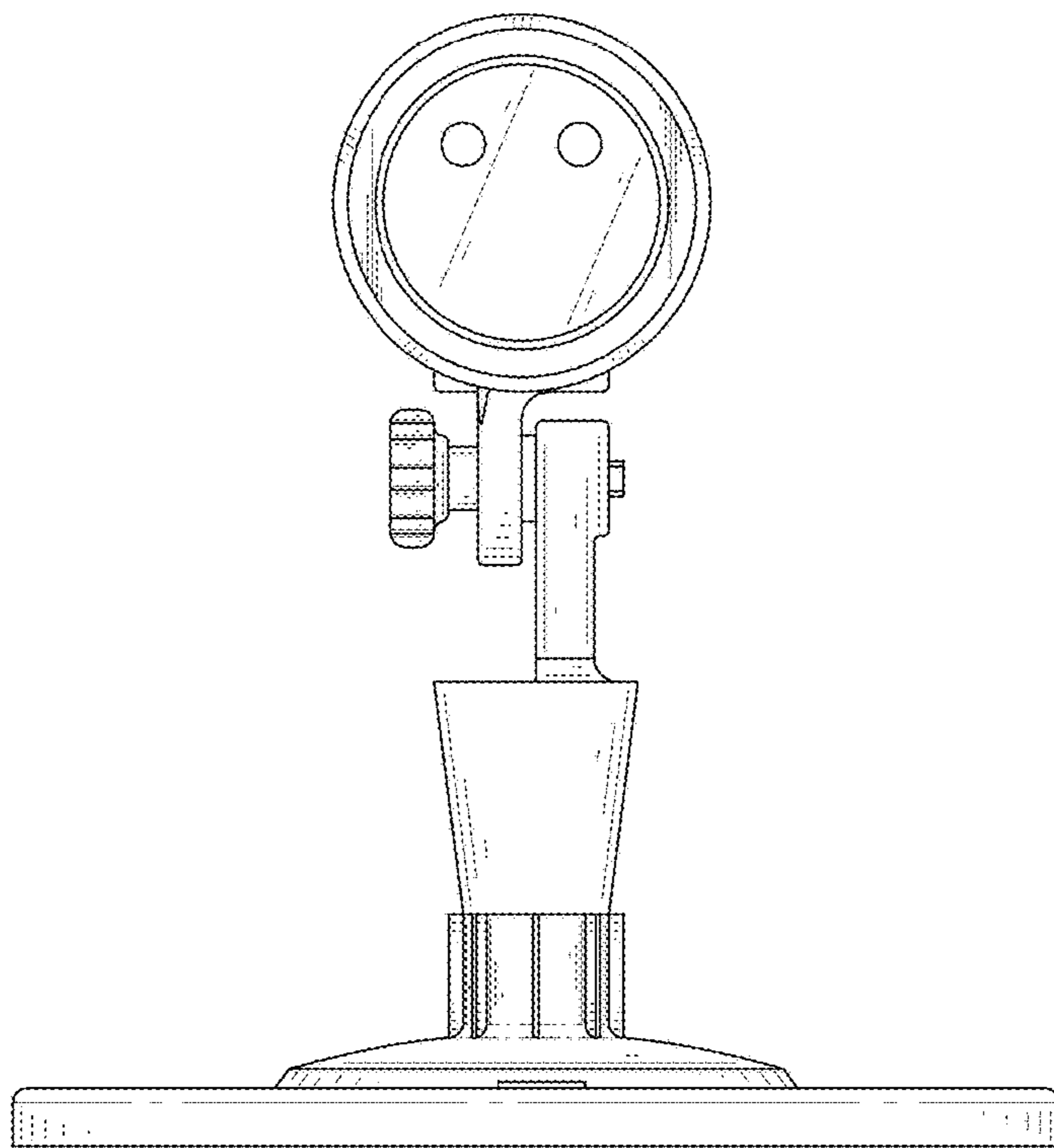


FIG. 1

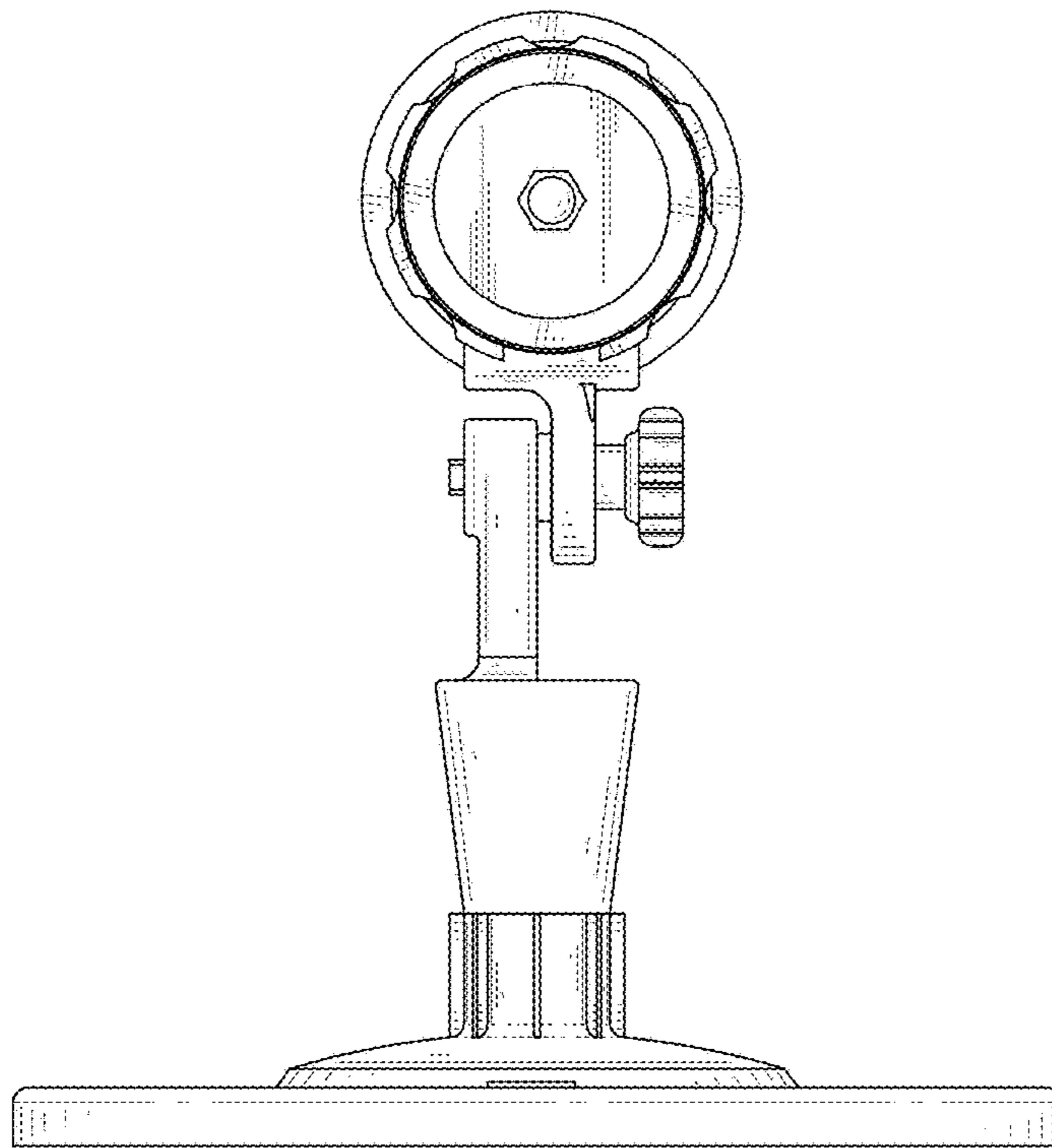


FIG. 2

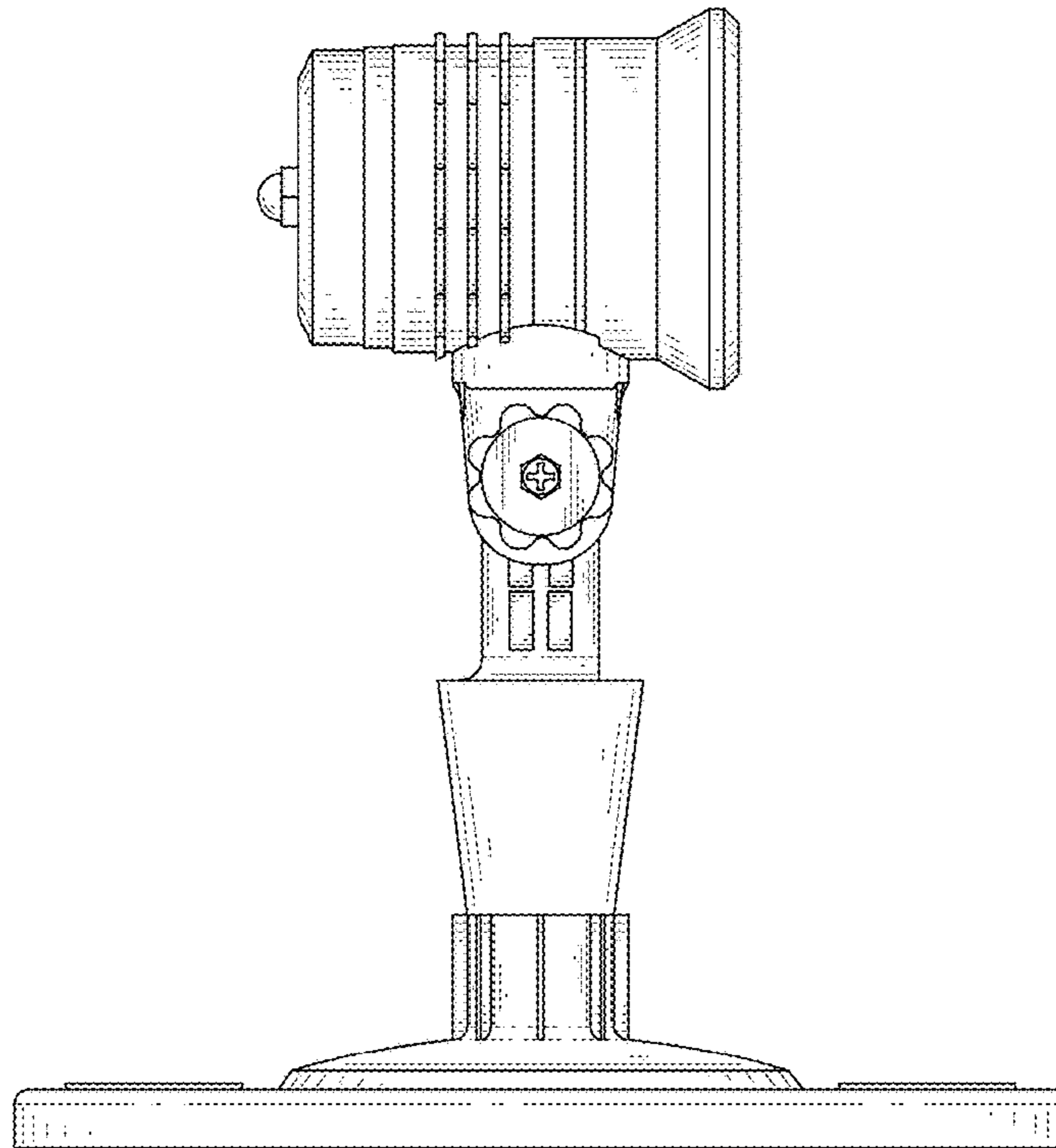


FIG. 3

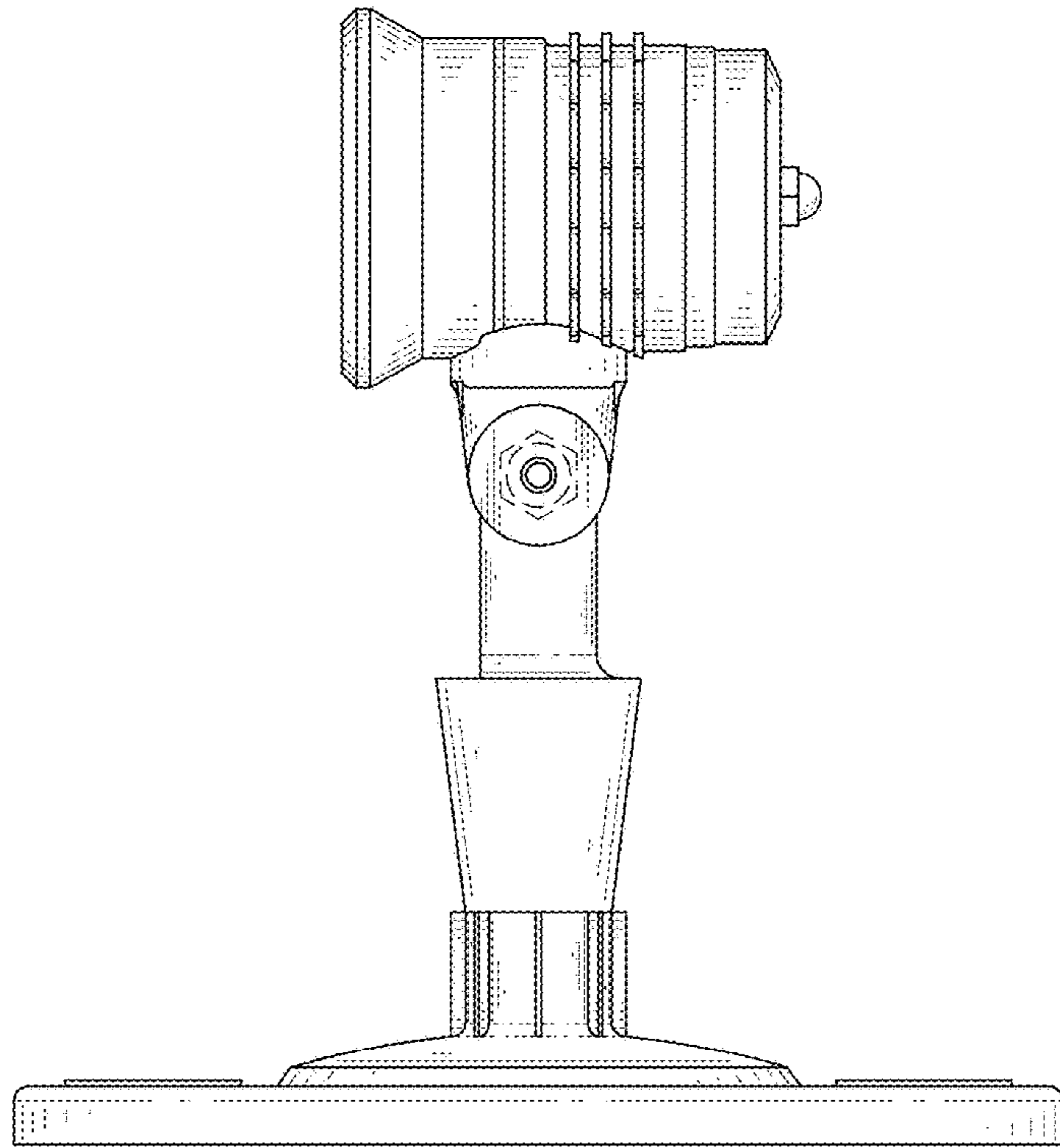


FIG. 4

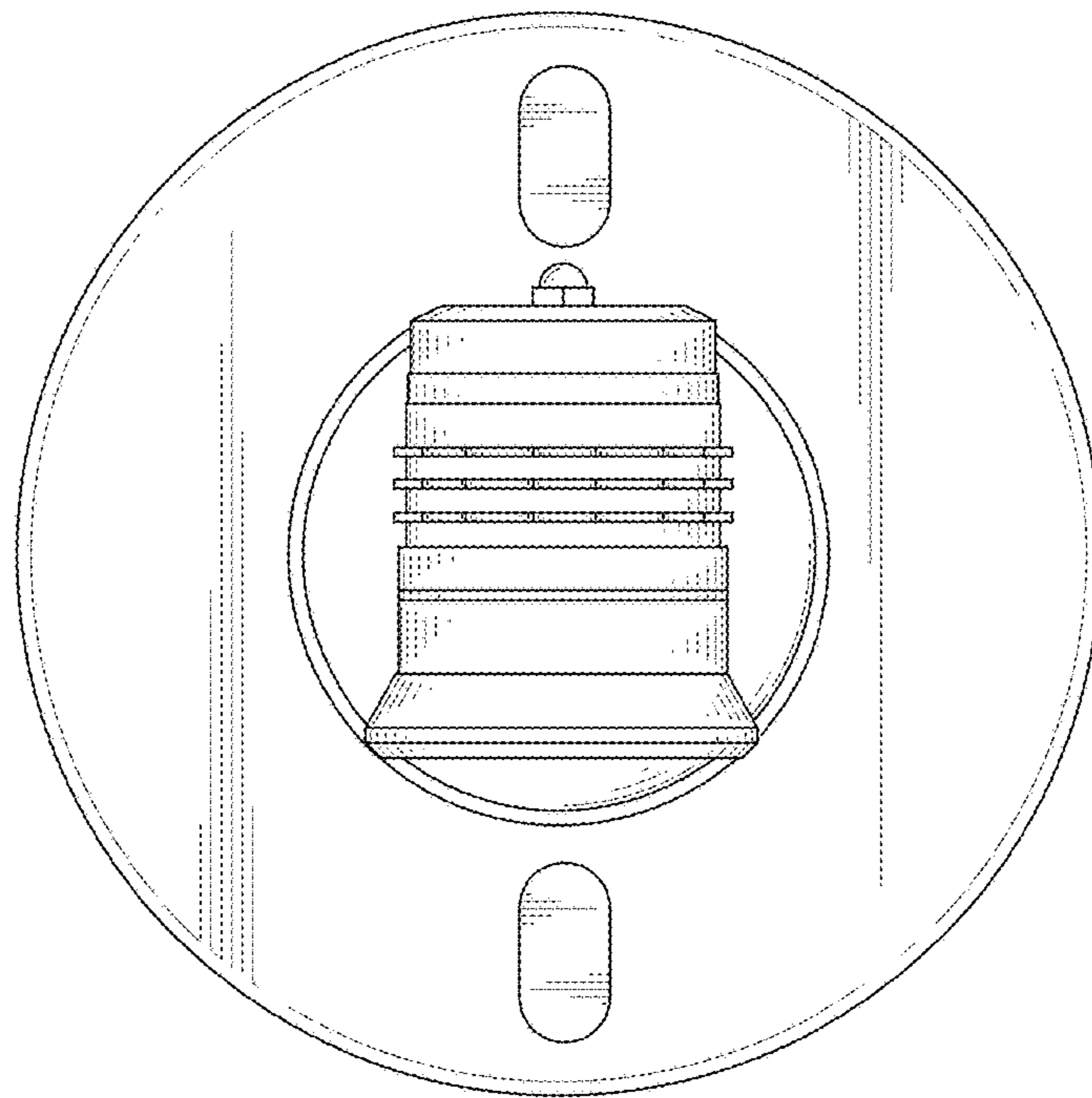


FIG. 5

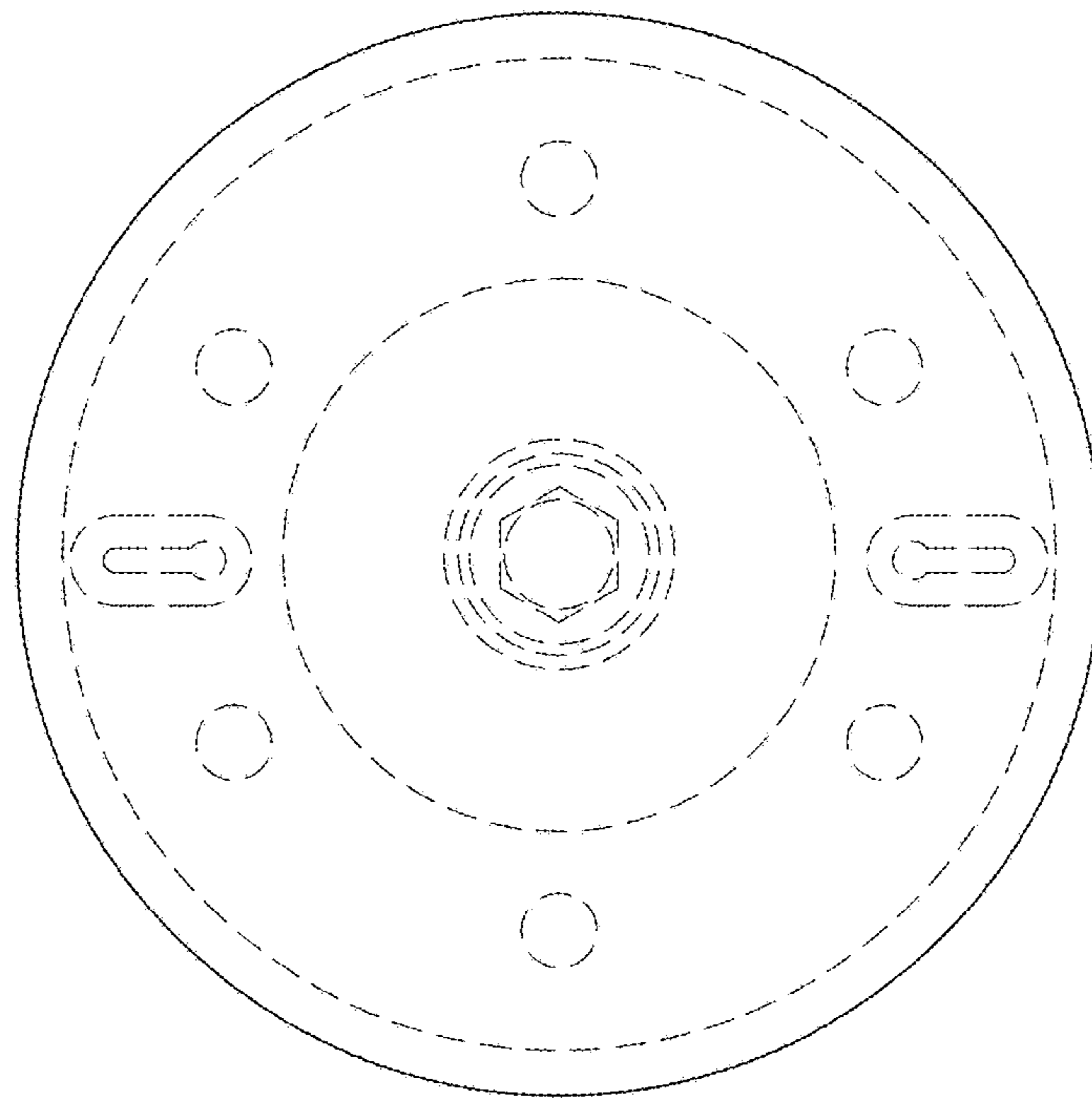


FIG. 6

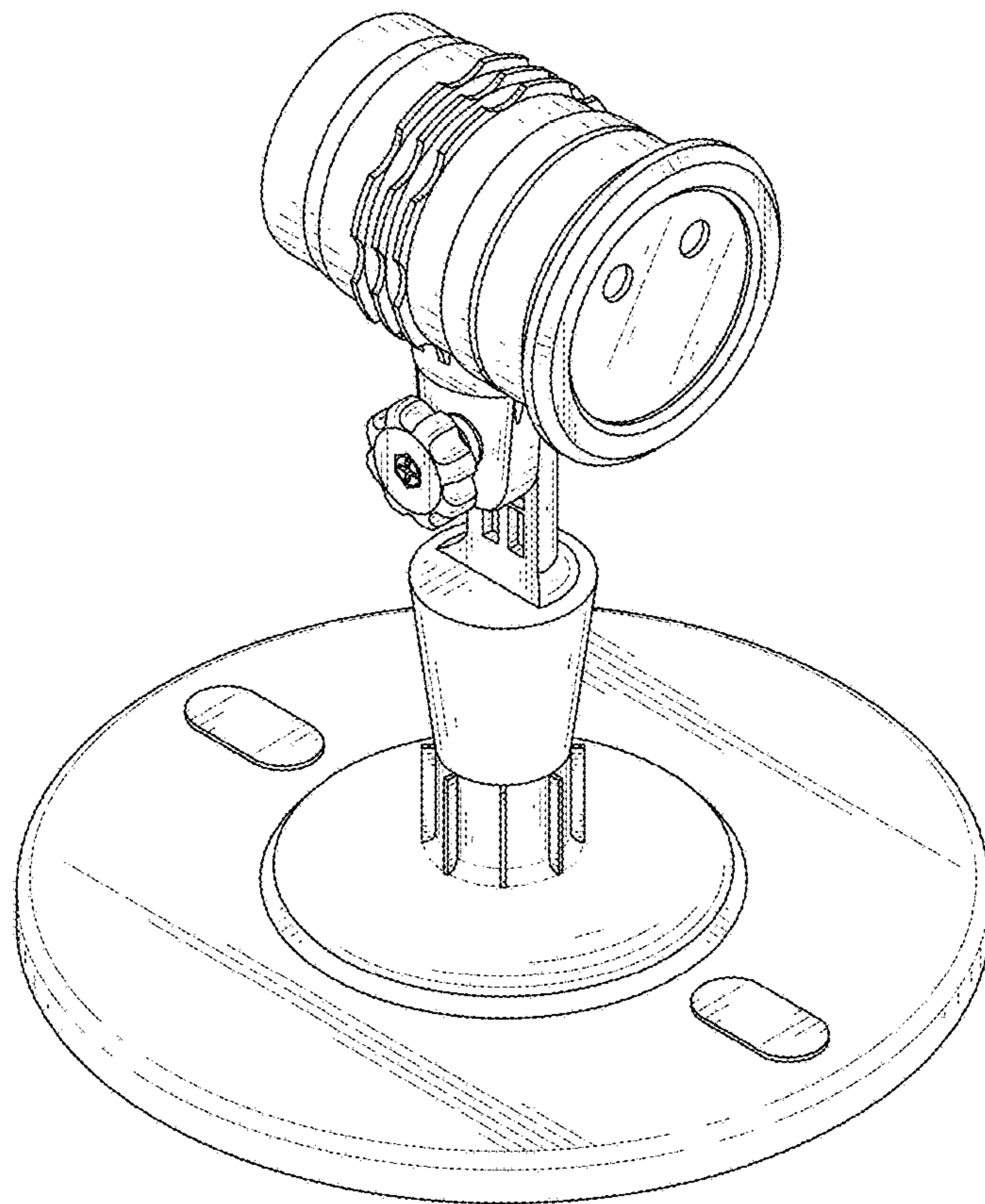


FIG. 7

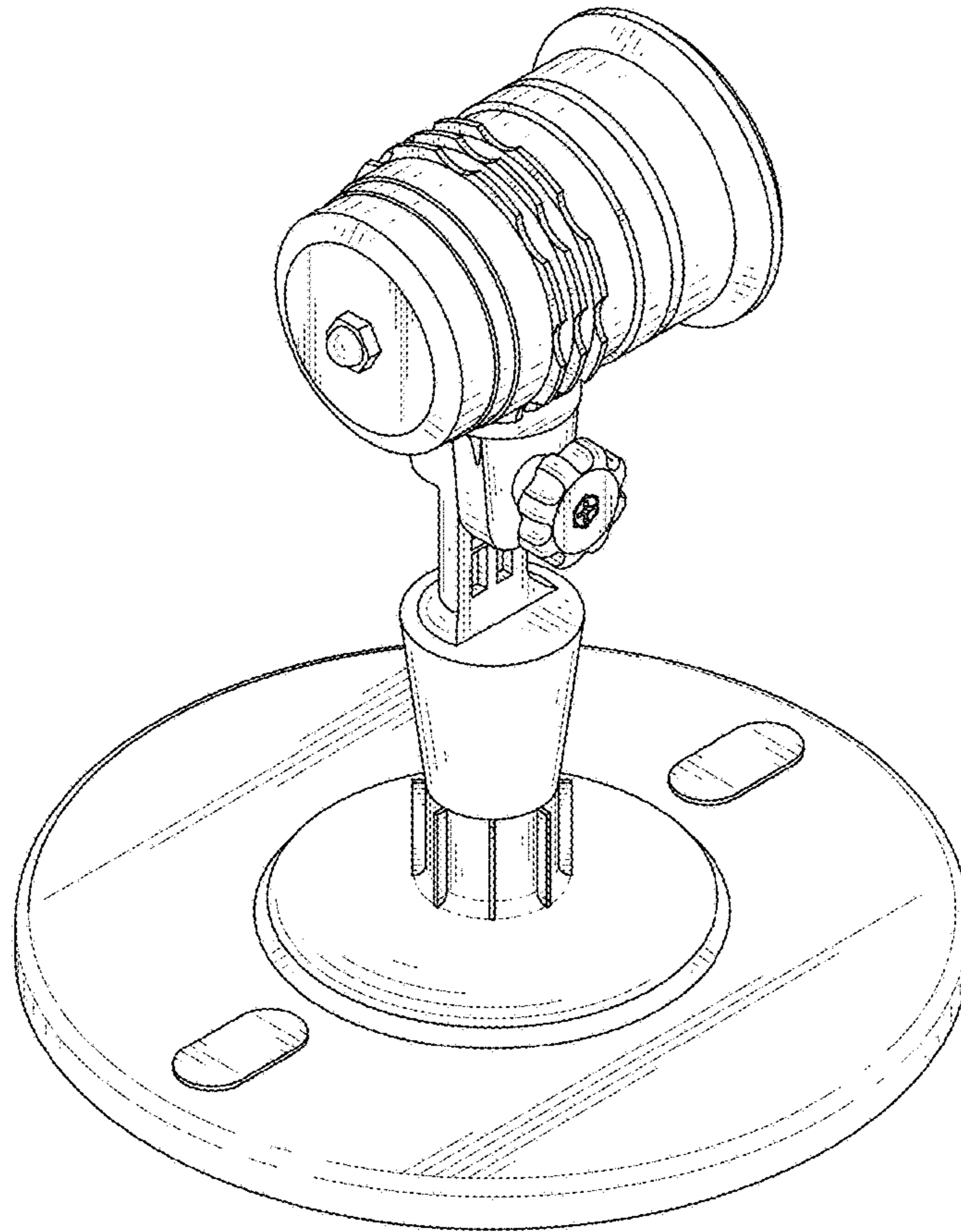


FIG. 8