



US00D855229S

(12) **United States Design Patent**
Bertken

(10) **Patent No.:** **US D855,229 S**

(45) **Date of Patent:** **** Jul. 30, 2019**

(54) **FLASHLIGHT**

(71) Applicant: **Ideapond, LLC**, San Diego, CA (US)

(72) Inventor: **Dennis Bertken**, San Diego, CA (US)

(73) Assignee: **IDEAPOND, LLC**, San Diego, CA (US)

(**) Term: **15 Years**

(21) Appl. No.: **29/639,558**

(22) Filed: **Mar. 7, 2018**

(51) **LOC (11) Cl.** **26-02**

(52) **U.S. Cl.**
USPC **D26/49**

(58) **Field of Classification Search**
USPC D26/37-51
CPC F21L 2003/00; F21L 4/00; F21L 4/005;
F21L 4/02; F21L 4/025; F21L 4/027;
F21L 4/04; F21L 4/08; F21L 2005/00;
F21L 7/00; F21L 11/00; F21L 13/00;
F21L 13/04; F21L 13/08; F21L 14/02;
F21L 17/00; F21L 19/00; F21L 25/00
See application file for complete search history.

(56) **References Cited**

U.S. PATENT DOCUMENTS

D285,356 S	8/1986	Schosser et al.	
D296,477 S	6/1988	Powell et al.	
D296,478 S	6/1988	Powell et al.	
D493,008 S	7/2004	Brent	
D494,298 S	8/2004	Brent	
D630,783 S	1/2011	Baker et al.	
D639,476 S *	6/2011	Robinson	D26/49
D645,592 S	9/2011	Brands et al.	
D675,357 S	1/2013	Shi	
D675,358 S	1/2013	Brands et al.	
D683,877 S	6/2013	Brands et al.	
D732,721 S *	6/2015	Popper	D26/49

D736,981 S	8/2015	Windom et al.	
D743,600 S	11/2015	Robinson et al.	
D743,601 S *	11/2015	Maglica	D26/49
D747,024 S *	1/2016	Windom	D26/49
D750,306 S	2/2016	Windom et al.	
D751,742 S	3/2016	Windom et al.	
D767,805 S *	9/2016	Son	D26/49
D769,495 S *	10/2016	Bertken	D26/49
D794,237 S *	8/2017	Christensen	D26/49
D794,857 S *	8/2017	Sharrah	D26/49
D798,482 S *	9/2017	O'Doherty	D26/49
D802,192 S	11/2017	Windom et al.	
D802,193 S *	11/2017	Green	D26/49
D803,447 S	11/2017	Green	
D805,668 S *	12/2017	Shirley	D26/49
D811,637 S	2/2018	Geustel et al.	
D818,622 S *	5/2018	Kunzendorf	D26/49
D827,894 S *	9/2018	Huang	D26/49

(Continued)

Primary Examiner — Lakiya G Rogers

Assistant Examiner — Carissa C Fitts

(74) *Attorney, Agent, or Firm* — S&L US IP Attorneys, P.C.; Timothy Marc Shropshire

(57) **CLAIM**

The ornamental design for a flashlight, as shown and described.

DESCRIPTION

FIG. 1 is a perspective view of a flashlight showing my new design;

FIG. 2 is a rear elevational view thereof;

FIG. 3 is a front elevational view thereof;

FIG. 4 is a left-side elevational view thereof;

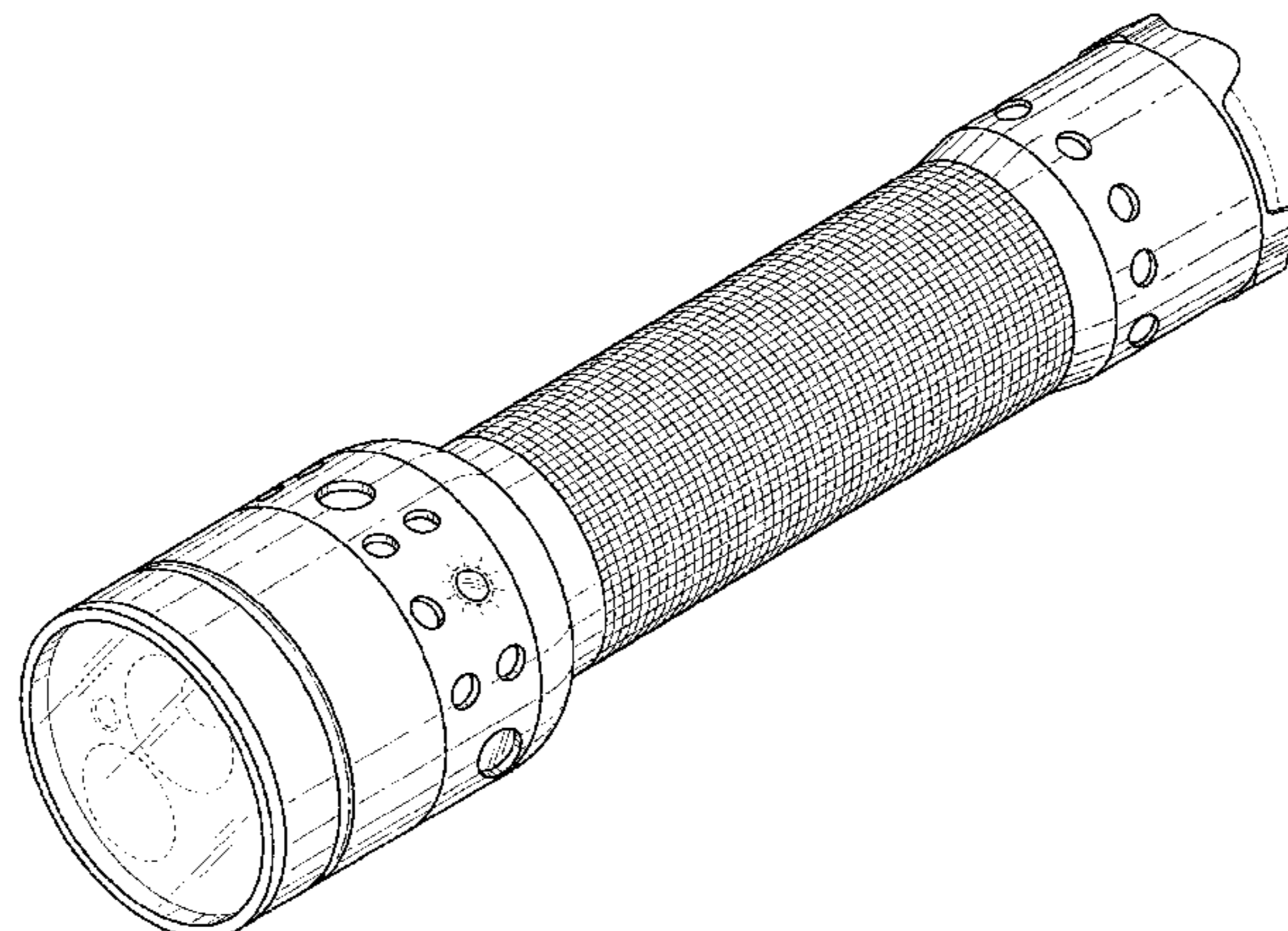
FIG. 5 is a right-side elevational view thereof;

FIG. 6 is a top plan view thereof; and,

FIG. 7 is a bottom plan view thereof.

The evenly spaced broken lines shown in FIGS. 1-7 and the non-shaded rings shown on FIG. 7 represent portions of the article that form no part of the claimed design.

1 Claim, 6 Drawing Sheets



(56)

References Cited

U.S. PATENT DOCUMENTS

D828,940 S * 9/2018 Qiu D26/49
10,069,318 B2 * 9/2018 Waters F21L 4/085

* cited by examiner

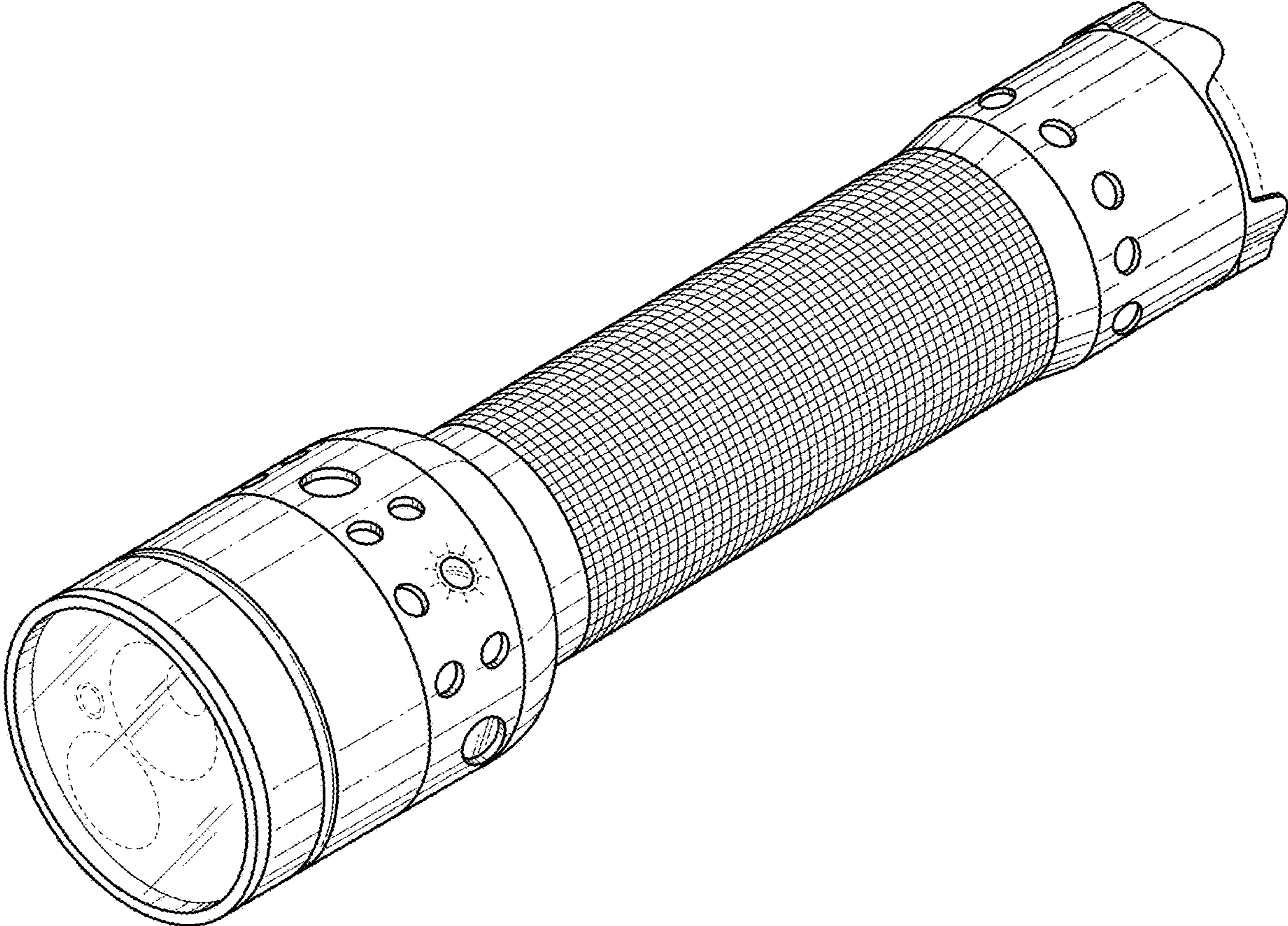


FIG. 1

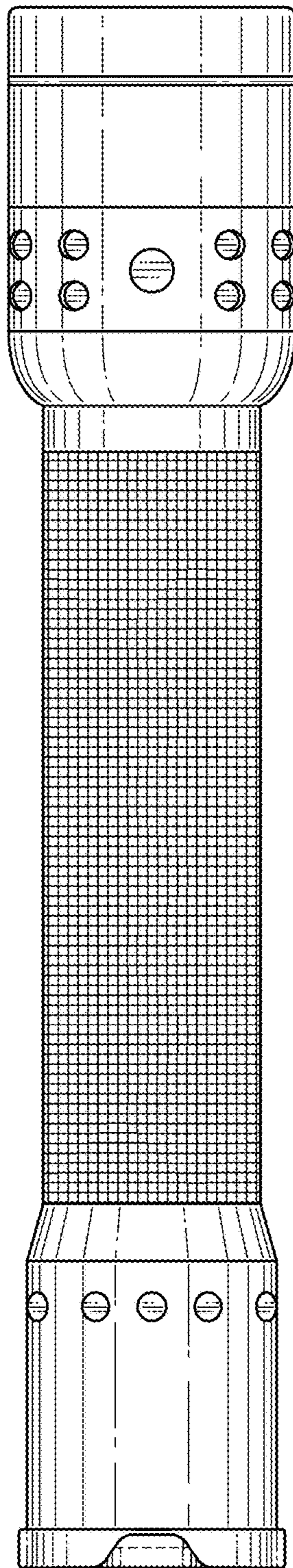


FIG. 2

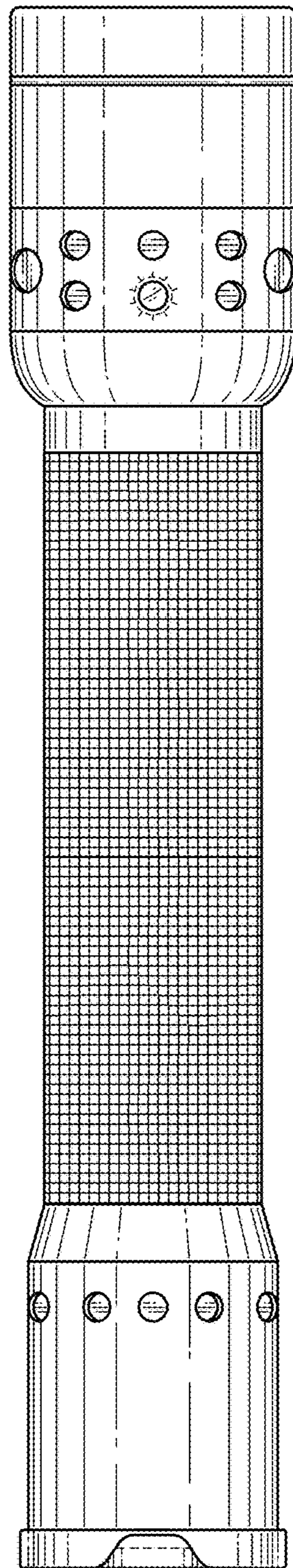


FIG. 3

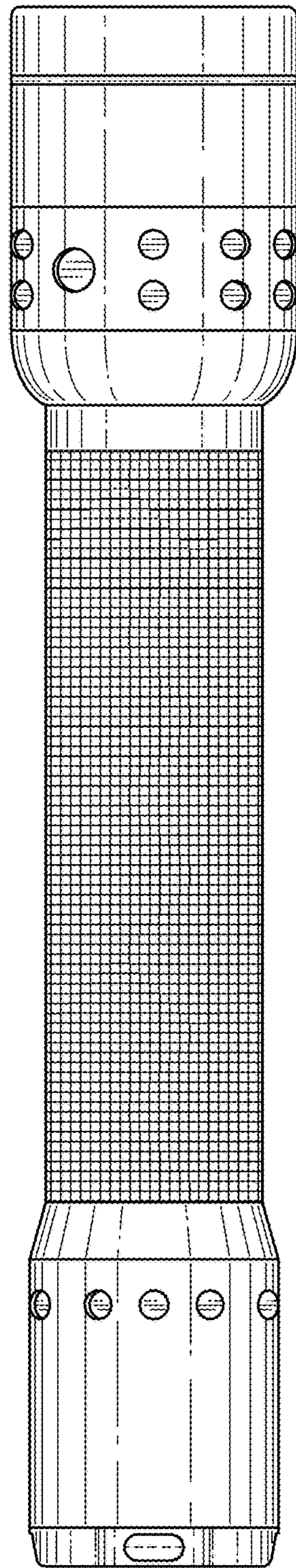


FIG. 4

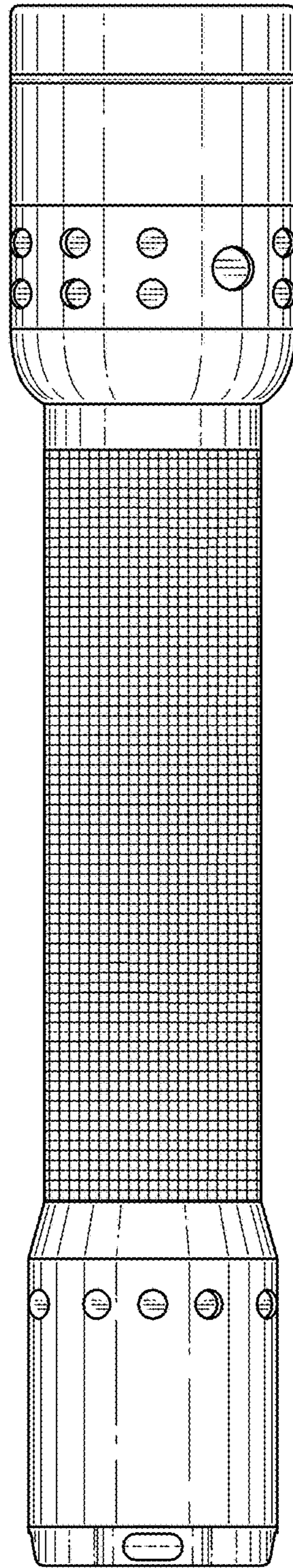


FIG. 5

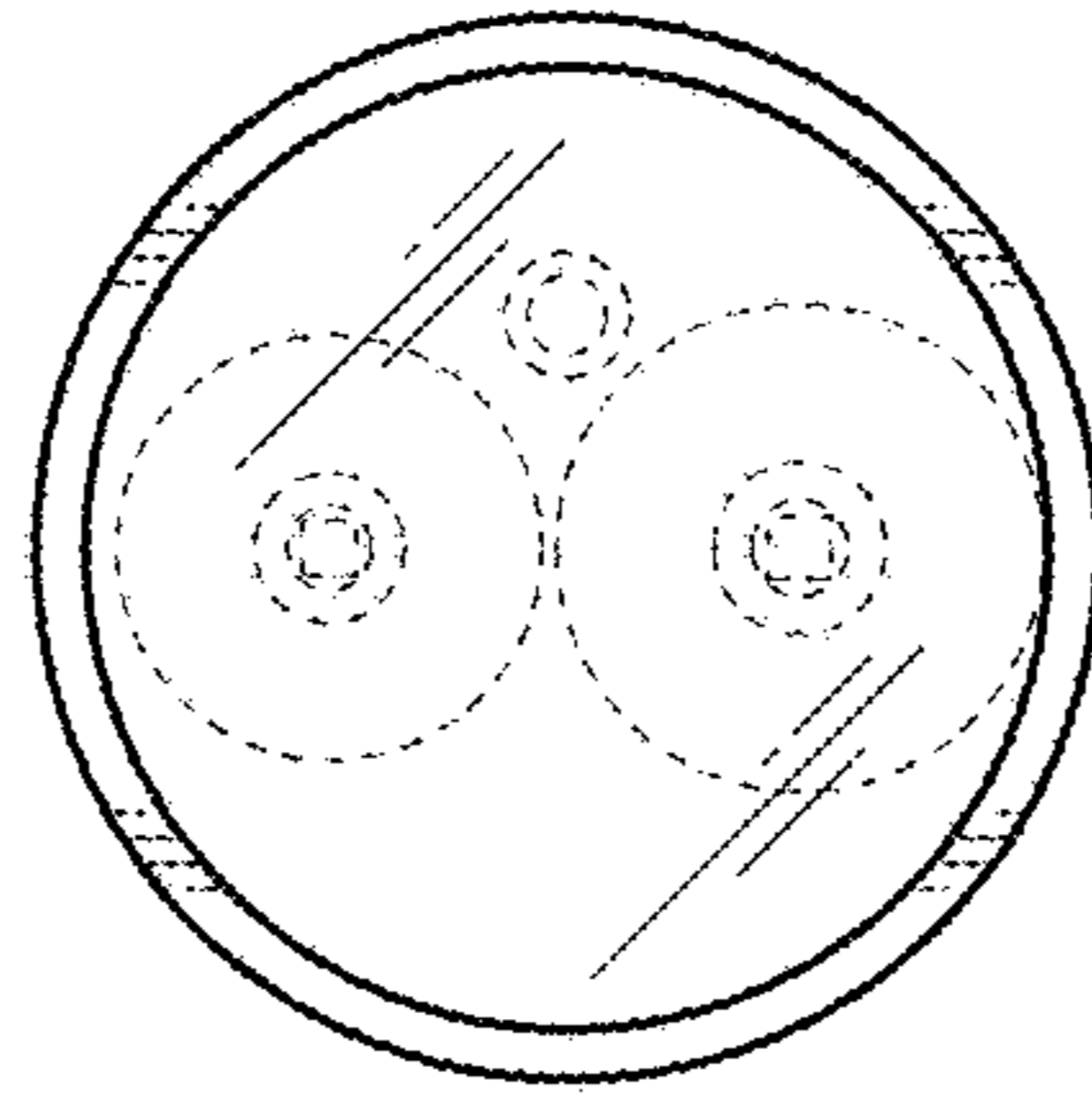


FIG. 6

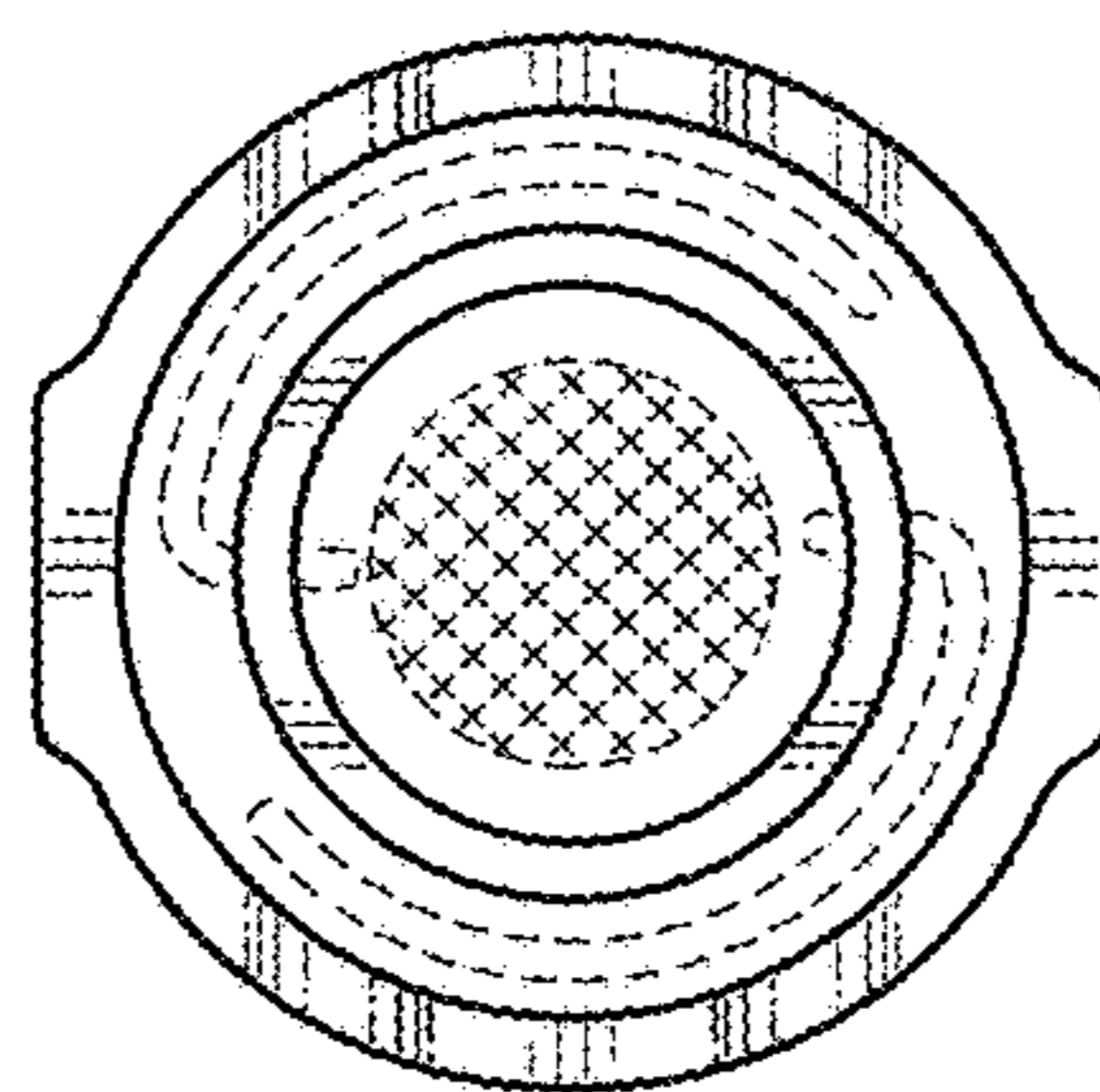


FIG. 7