



US00D855228S

(12) **United States Design Patent**
Cooper et al.

(10) **Patent No.:** **US D855,228 S**

(45) **Date of Patent:** **** *Jul. 30, 2019**

(54) **LIGHT TOOL**

(71) Applicant: **Wilmar Corporation**, Renton, WA
(US)

(72) Inventors: **David Cooper**, Renton, WA (US);
Shiyu Sun, Shanghai (CN)

(73) Assignee: **Wilmar Corporation**, Renton, WA
(US)

(*) Notice: This patent is subject to a terminal disclaimer.

(**) Term: **14 Years**

(21) Appl. No.: **29/514,496**

(22) Filed: **Jan. 13, 2015**

Related U.S. Application Data

(63) Continuation of application No. 29/475,970, filed on Dec. 9, 2013, now abandoned.

(51) **LOC (11) Cl.** **26-02**

(52) **U.S. Cl.**
USPC **D26/44; D26/42**

(58) **Field of Classification Search**

USPC D26/37-51
CPC F21L 2003/00; F21L 4/00; F21L 4/005;
F21L 4/02; F21L 4/025; F21L 4/027;
F21L 4/04; F21L 4/08; F21L 2005/00;
F21L 7/00; F21L 11/00; F21L 13/00;
F21L 13/04; F21L 13/08; F21L 14/02;
F21L 17/00; F21L 19/00; F21L 25/00

See application file for complete search history.

(56) **References Cited**

U.S. PATENT DOCUMENTS

D359,482 S * 6/1995 Huang D26/37
D486,930 S * 2/2004 Stoddard D26/37
D490,920 S * 6/2004 Wiesmeth D26/37
D497,214 S * 10/2004 Lo D26/37
D499,499 S * 12/2004 Cetera D26/37

D507,364 S * 7/2005 Lo D26/37
D507,839 S * 7/2005 Man D26/37
D508,748 S * 8/2005 Man D26/37
D518,906 S * 4/2006 Stoddard D26/37
D519,657 S * 4/2006 Stoddard D26/37
D684,283 S * 6/2013 Zhou D26/49

OTHER PUBLICATIONS

8 Lb Magnetic Pick-Up Tool, Item No. W91001, retrieved on Apr. 7, 2017 at <http://www.wilmarcorp.com/item.aspx?iid=6345>.

Image retrieved on Apr. 7, 2017 at http://c.shld.net/rpx/i/s/i/spin/image/spin_prod_634047201?hei=333&wid=333&op_sharpen=1&hei=200&wid=200&wid=100&hei=100&fmt=jpeg&resMode=sharp2.

Lighted Magnetic Pick-Up Tool, Item No. W9102, retrieved on Apr. 7, 2017 at <http://www.wilmarcorp.com/item.aspx?iid=6346>.

* cited by examiner

Primary Examiner — Lakiya G Rogers

Assistant Examiner — Carissa C Fitts

(74) *Attorney, Agent, or Firm* — Baumgartner Patent Law; Marc Baumgartner

(57) **CLAIM**

The ornamental design for a light tool, as shown and described.

DESCRIPTION

FIG. 1 is a first perspective view of a first embodiment of a light tool embodying our design;

FIG. 2 is a first side view of the light tool of FIG. 1;

FIG. 3 is a second side view of the light tool of FIG. 1;

FIG. 4 is a front view of the light tool of FIG. 1;

FIG. 5 is a rear view of the light tool of FIG. 1;

FIG. 6 is a top view of the light tool of FIG. 1;

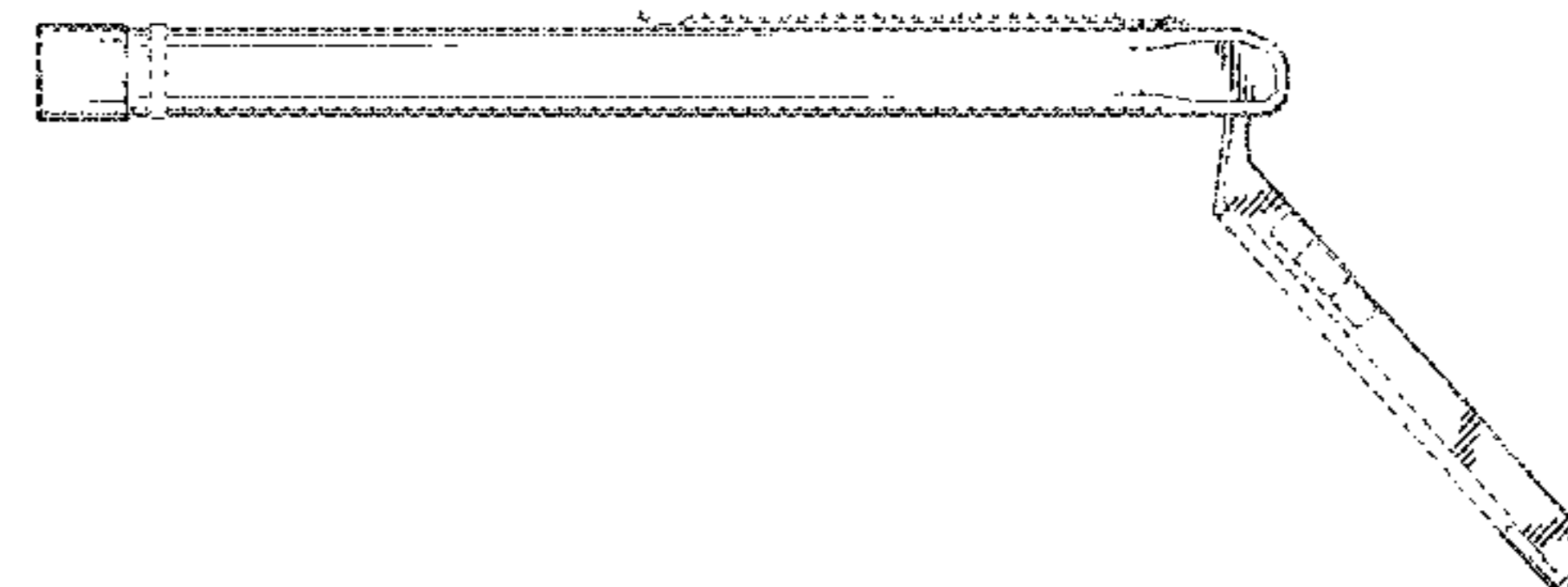
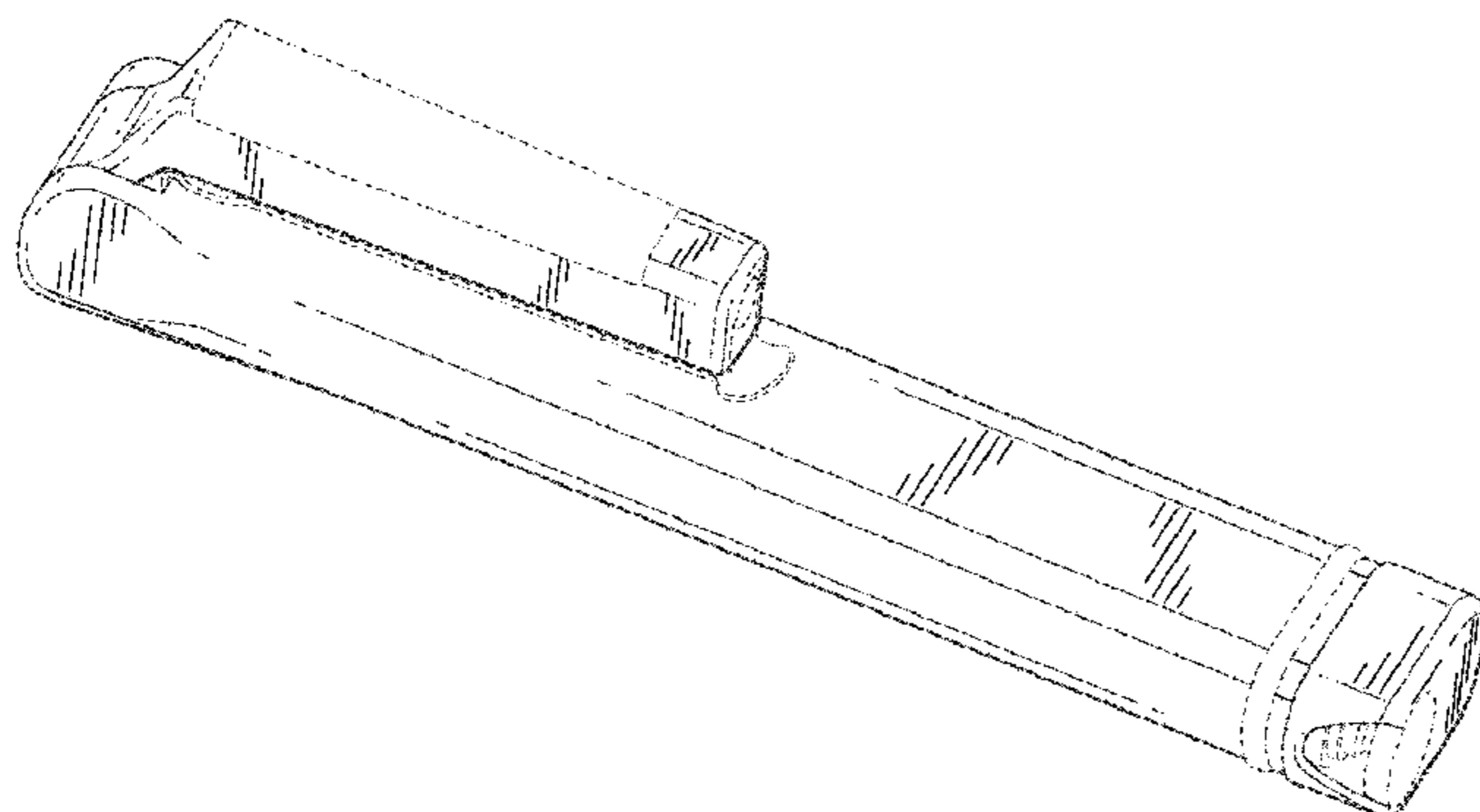
FIG. 7 is a bottom view of the light tool of FIG. 1;

FIG. 8 is a second perspective view of the light tool of FIG. 1; and,

FIG. 9 is a third side view of the light tool of FIG. 1.

The broken lines show portions of the article not claimed and form no part of the claimed design.

1 Claim, 4 Drawing Sheets



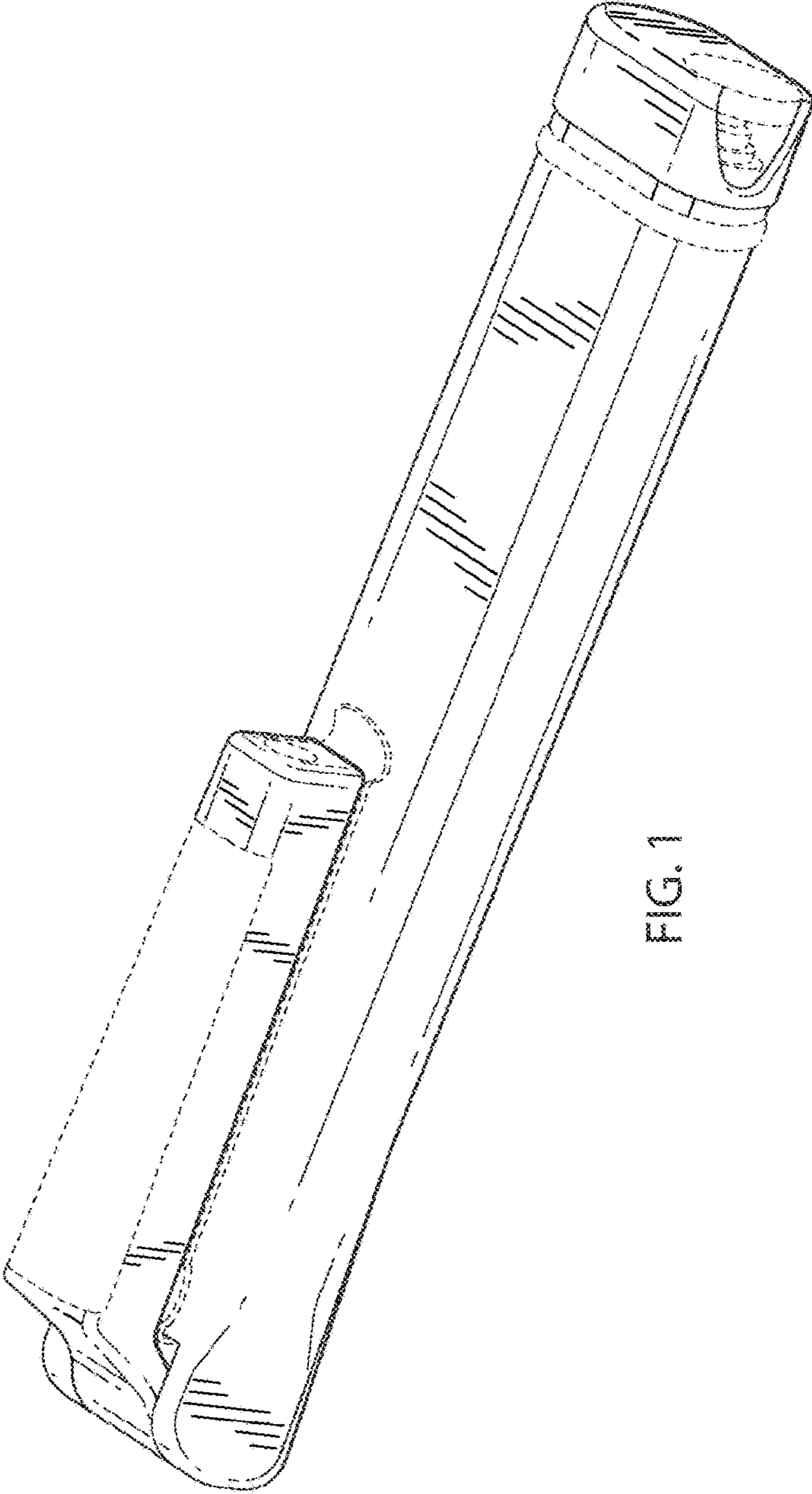


FIG. 1

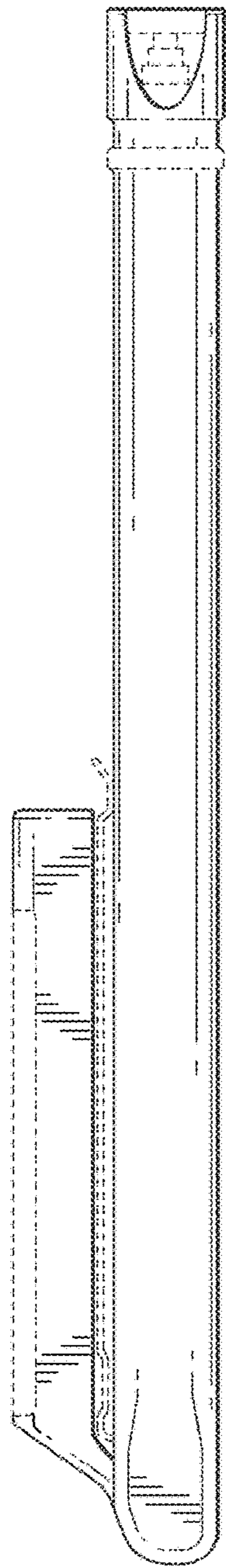


FIG. 2

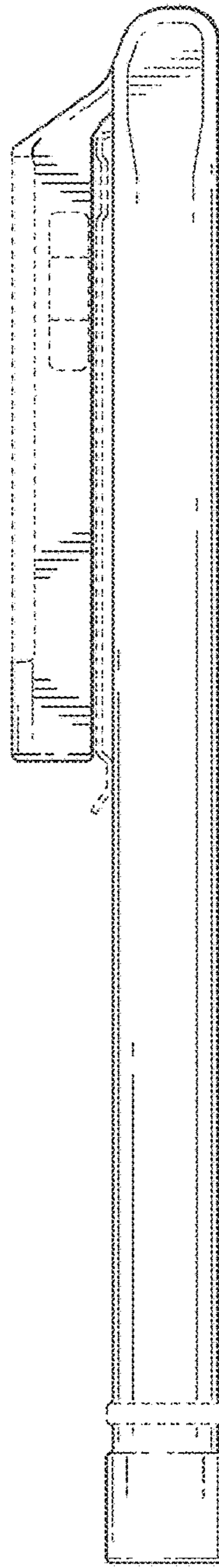


FIG. 3

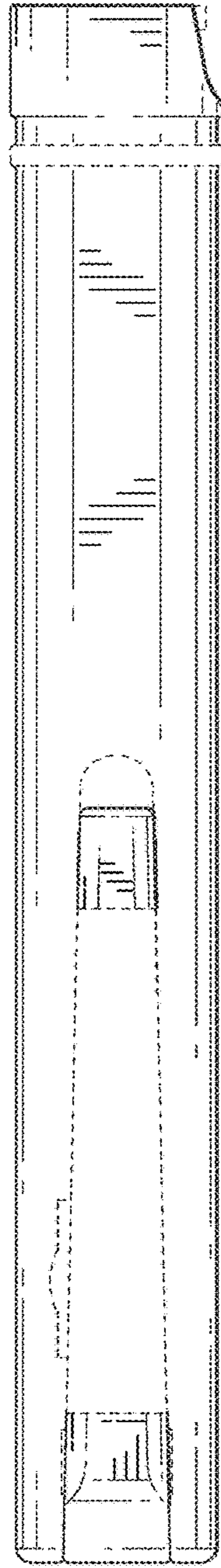


FIG. 4

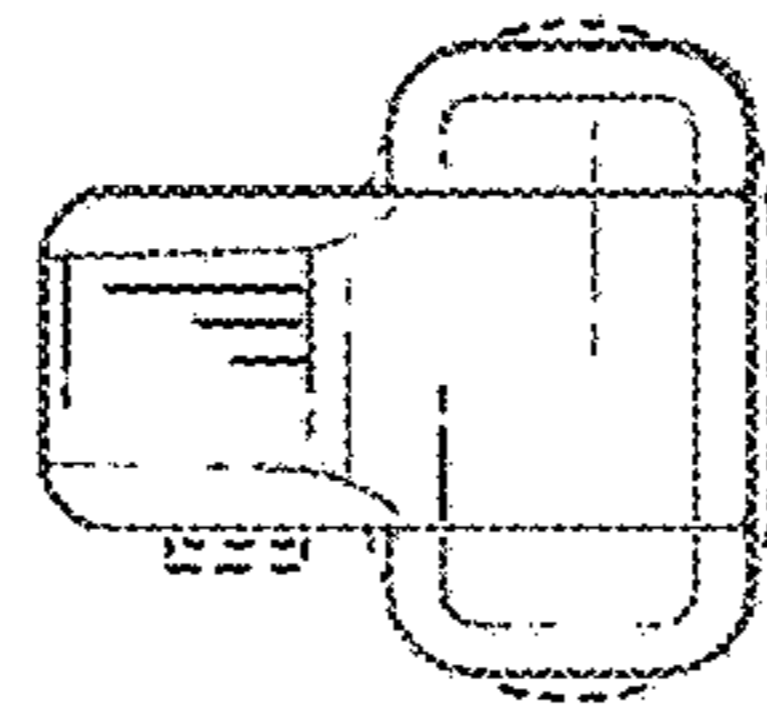


FIG. 6

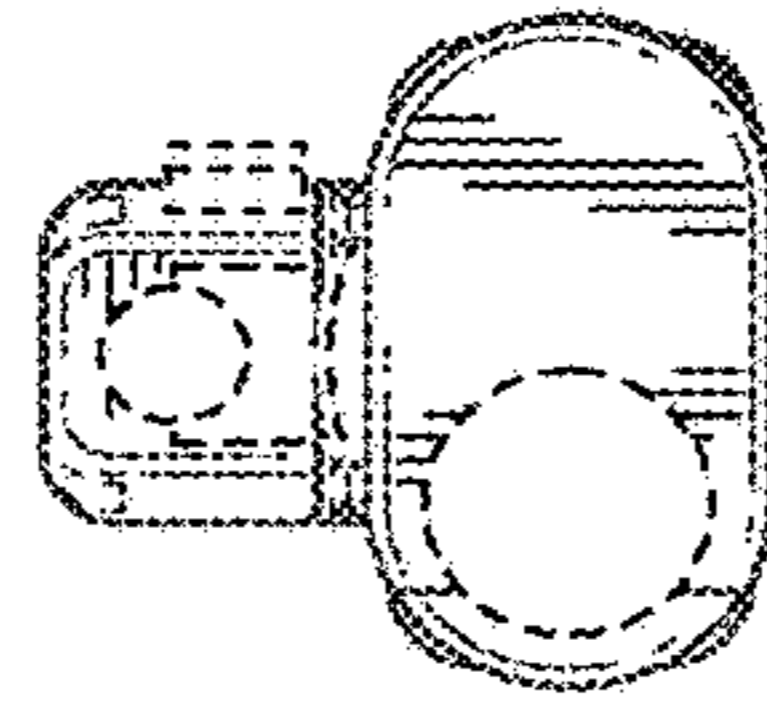


FIG. 7

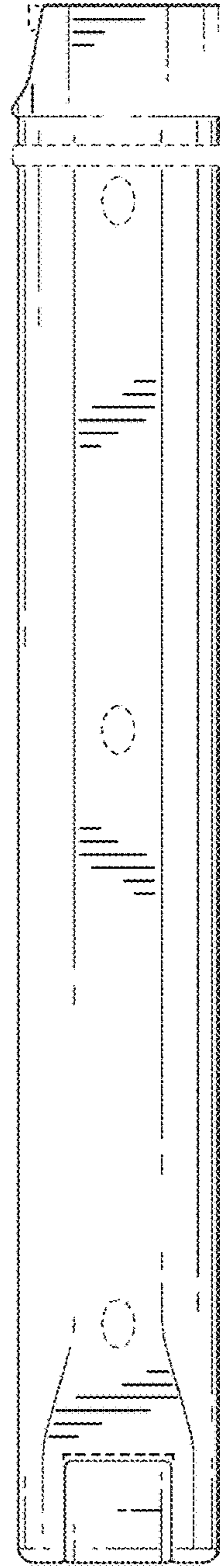


FIG. 5

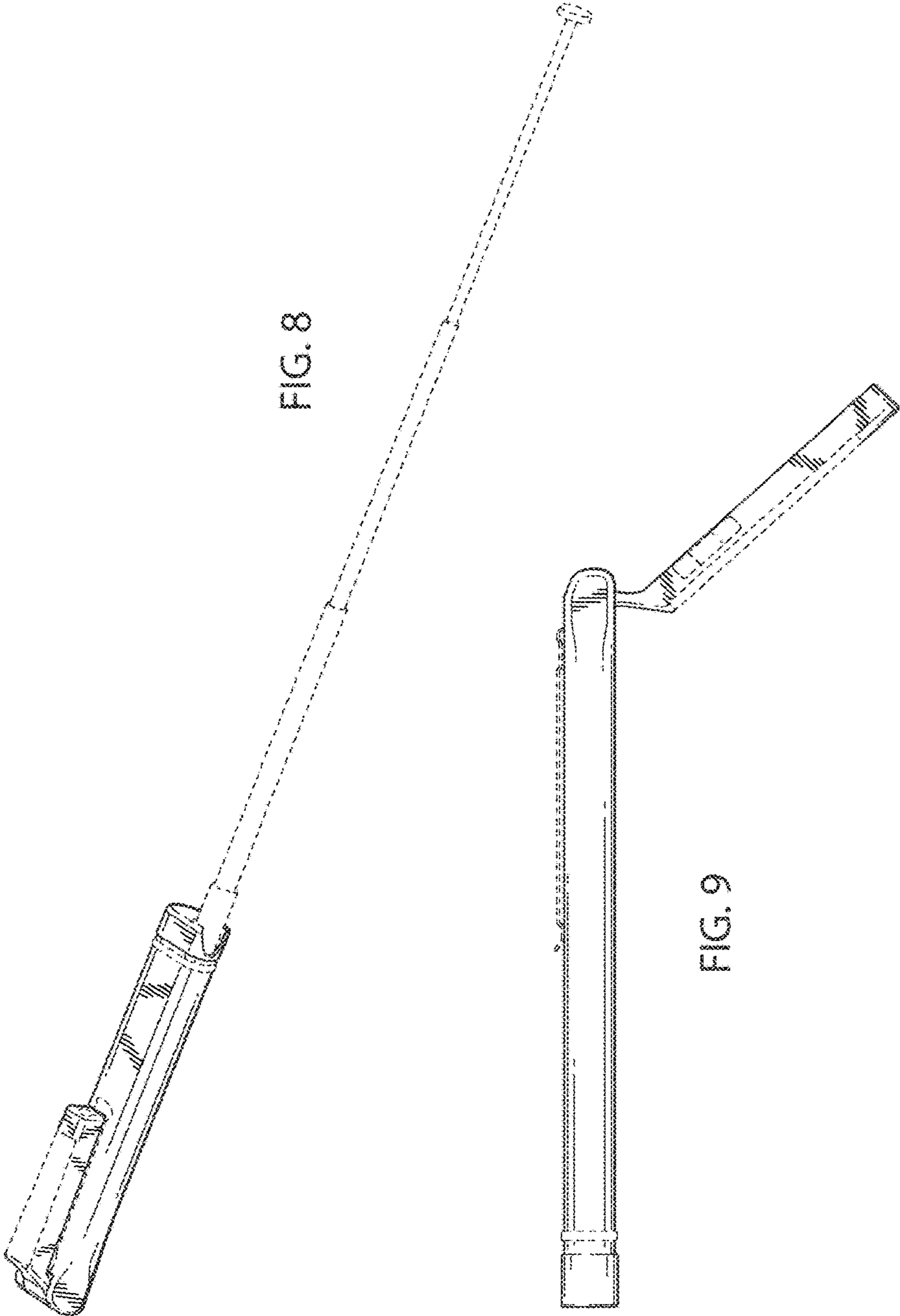


FIG. 8

FIG. 9