



US00D855227S

(12) **United States Design Patent**
Becker

(10) **Patent No.:** **US D855,227 S**

(45) **Date of Patent:** **** Jul. 30, 2019**

(54) **DETACHABLE LED LIGHT AND BASE**

D405,551 S *	2/1999	Lynch	D26/37
D431,308 S *	9/2000	Lynch	D26/37
D439,688 S *	3/2001	Suzuki	D26/37
D453,580 S *	2/2002	Lynch	D26/46
D548,384 S *	8/2007	Komar	D26/37

(71) Applicant: **Maxton Group, Inc.**, Port Orange, FL (US)

(72) Inventor: **Aaron Becker**, Port Orange, FL (US)

* cited by examiner

(73) Assignee: **Maxton Group, Inc.**, Port Orange, FL (US)

Primary Examiner — Lakiya G Rogers

Assistant Examiner — Carissa C Fitts

(**) Term: **15 Years**

(74) *Attorney, Agent, or Firm* — The Petruzzi Law Firm;
James D. Petruzzi

(21) Appl. No.: **29/612,415**

(57) **CLAIM**

(22) Filed: **Aug. 1, 2017**

The ornamental design for a detachable LED light and base, as shown.

(51) **LOC (11) Cl.** **26-02**

(52) **U.S. Cl.**
USPC **D26/37**

DESCRIPTION

(58) **Field of Classification Search**

USPC D26/37-51
CPC F21L 2003/00; F21L 4/00; F21L 4/005;
F21L 4/02; F21L 4/025; F21L 4/027;
F21L 4/04; F21L 4/08; F21L 2005/00;
F21L 7/00; F21L 11/00; F21L 13/00;
F21L 13/04; F21L 13/08; F21L 14/02;
F21L 17/00; F21L 19/00; F21L 25/00
See application file for complete search history.

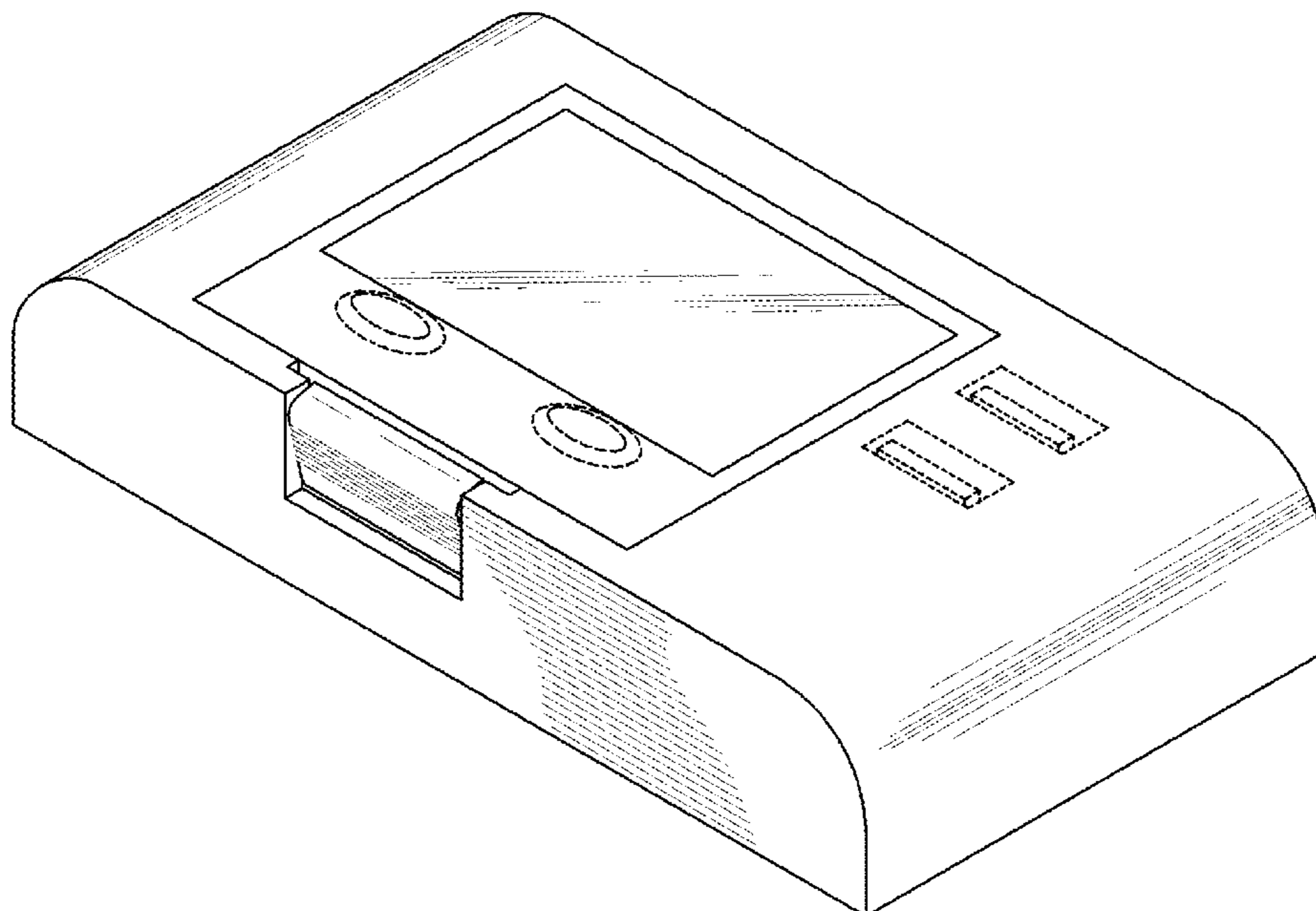
FIG. 1 is a perspective view of a detachable LED light and base;
FIG. 2 is a top plan view of a detachable LED light and base;
FIG. 3 is a bottom plan view of a detachable LED light and base;
FIG. 4 is a front elevation view of a detachable LED light and base;
FIG. 5 is a back elevation view of a detachable LED light and base; and,
FIG. 6 is an end side view for a detachable LED light and base with identical opposite end view.
The broken lines show portions of the article which form no part of the claimed design.

(56) **References Cited**

U.S. PATENT DOCUMENTS

D277,415 S *	1/1985	Berger	D26/46
D311,067 S *	10/1990	Chabria	D26/46

1 Claim, 3 Drawing Sheets



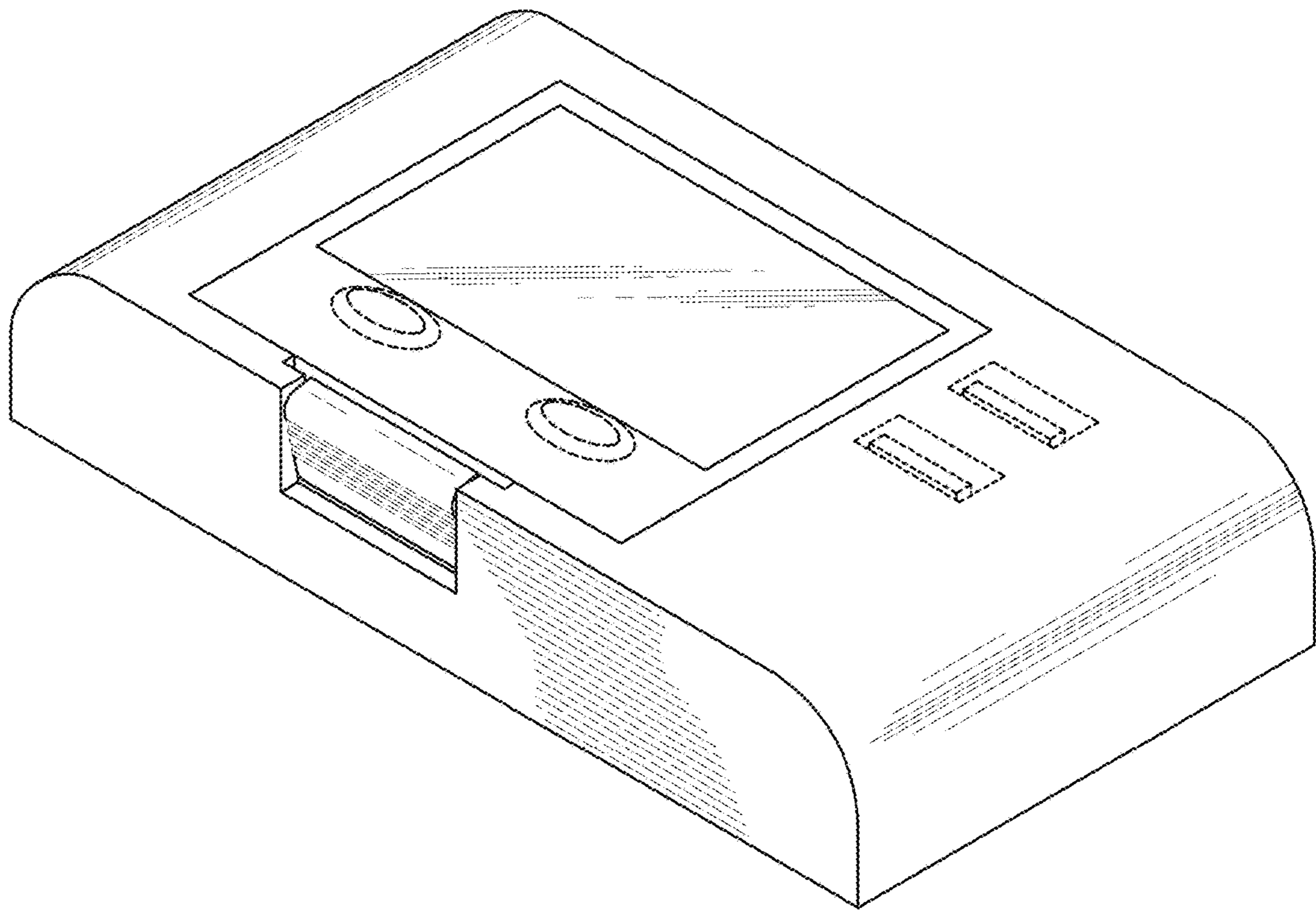


Fig. 1

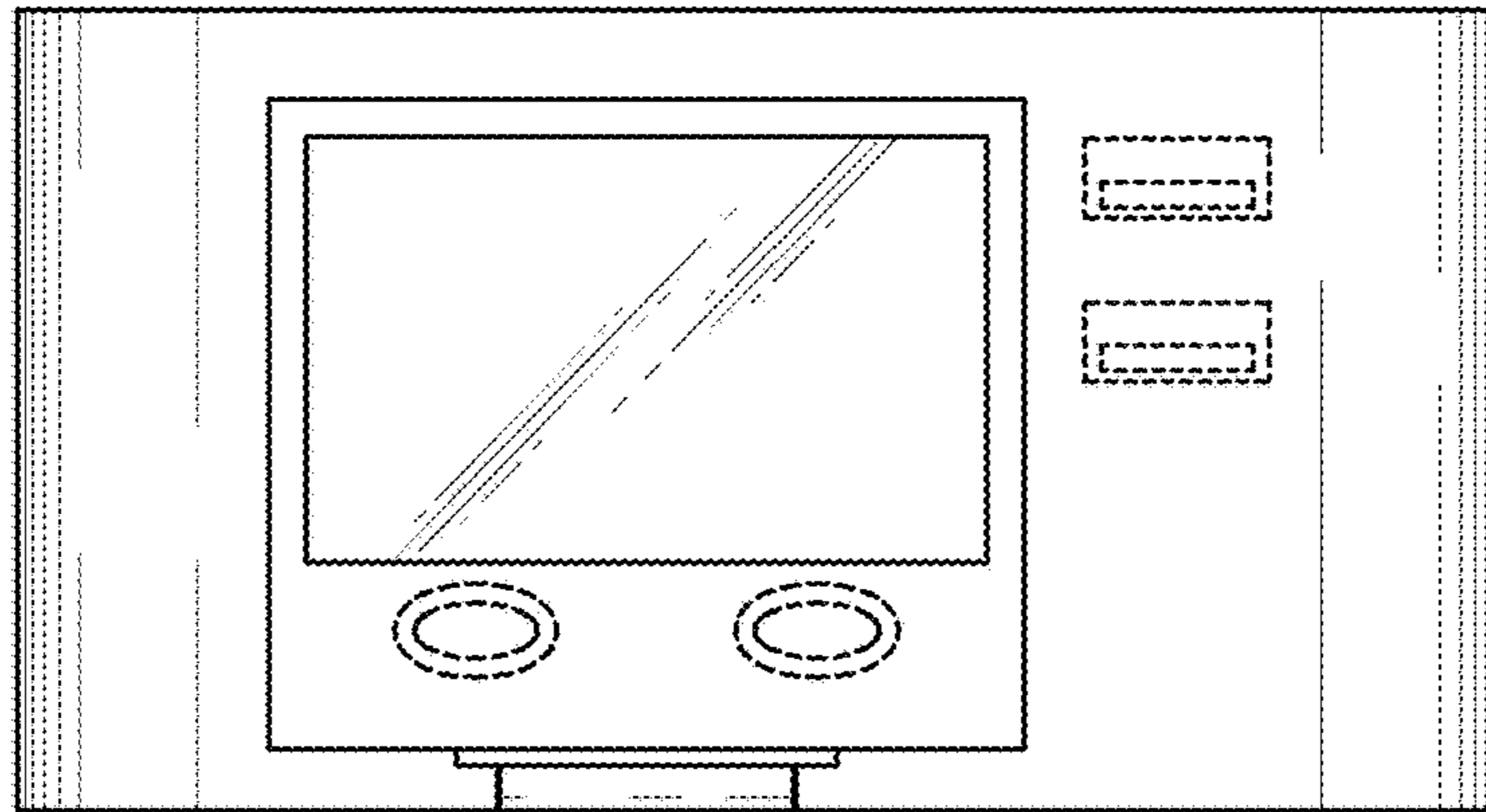


Fig. 2

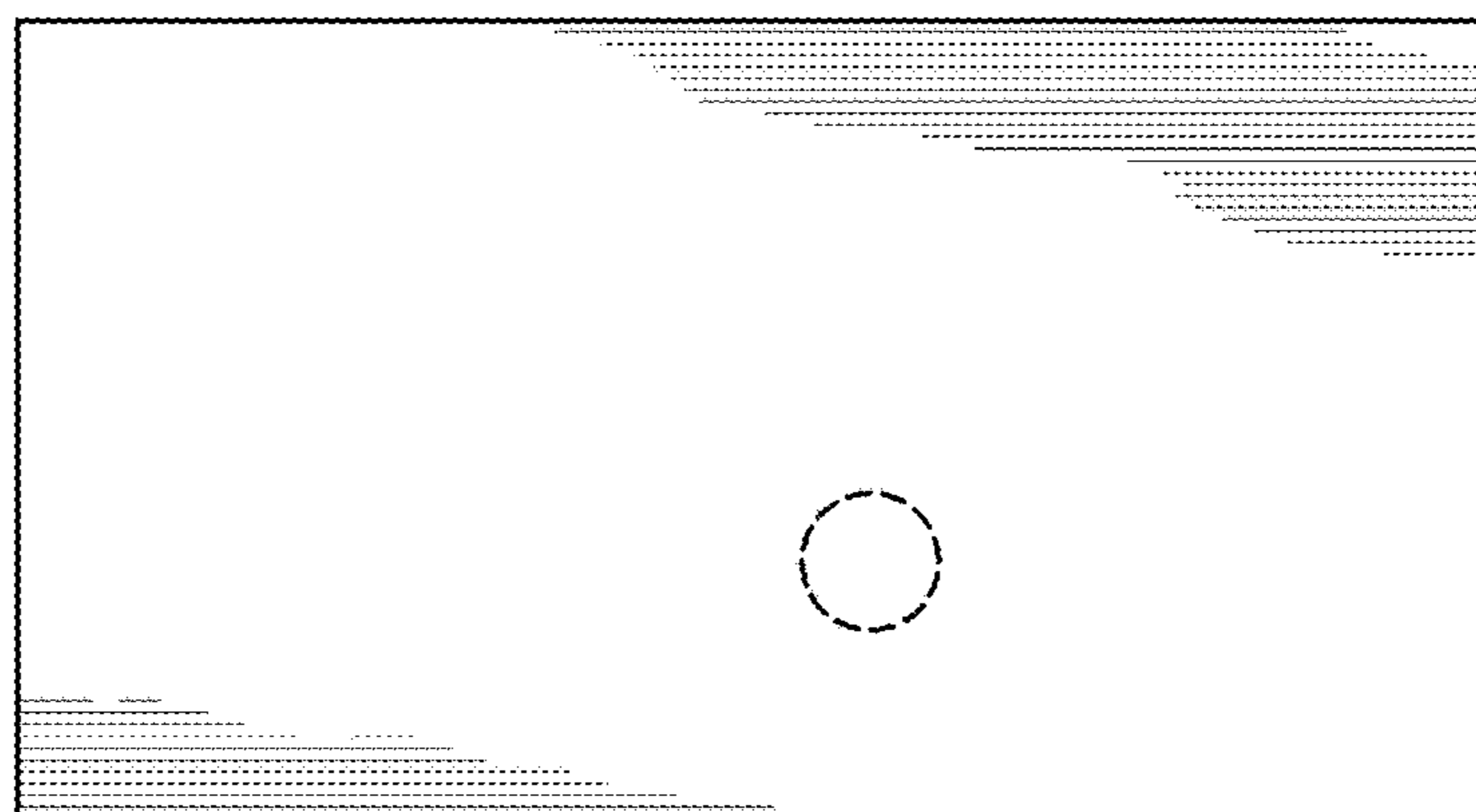


Fig. 3

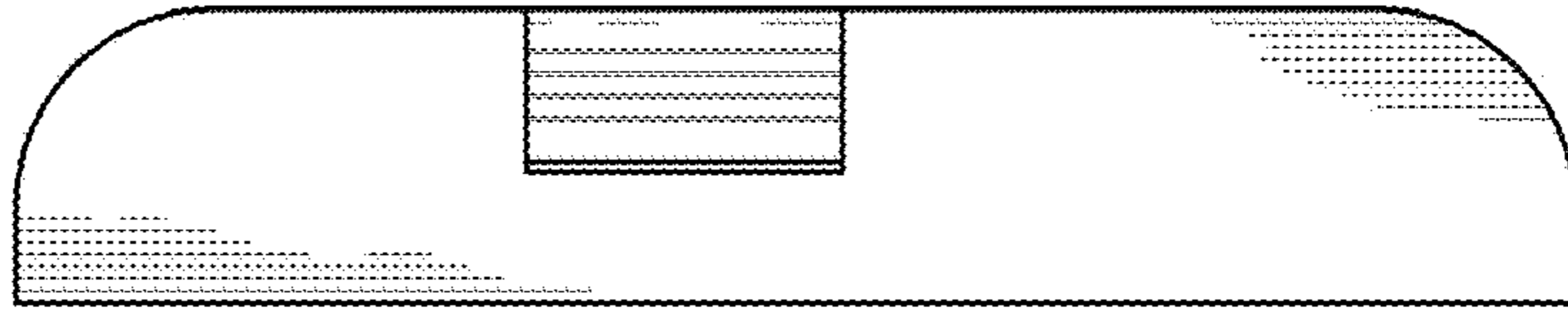


Fig. 4



Fig. 5

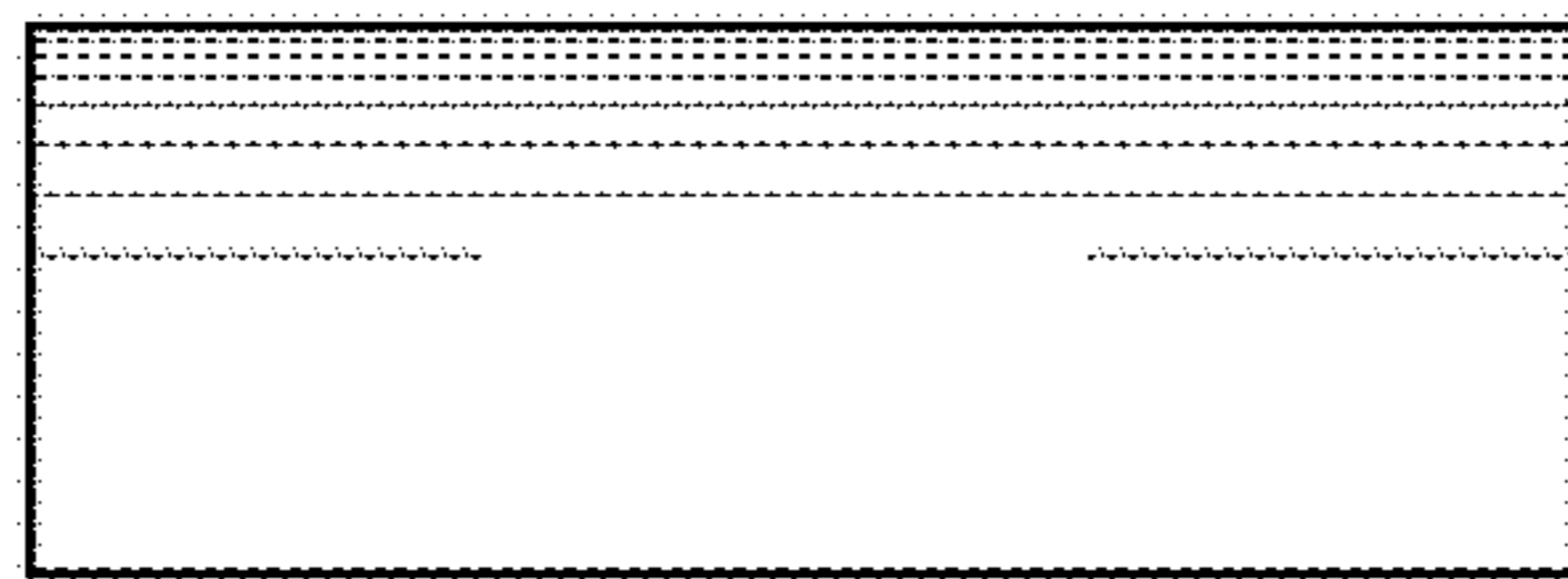


Fig. 6