



US00D855216S

(12) **United States Design Patent** (10) **Patent No.:** **US D855,216 S**
Wysock et al. (45) **Date of Patent:** **** *Jul. 30, 2019**

(54) **DOOR FACING**

- (71) Applicant: **Masonite Corporation**, Tampa, FL (US)
- (72) Inventors: **Gregory J. Wysock**, Huntley, IL (US); **Timothy D. Gouge**, Elgin, IL (US)
- (73) Assignee: **Masonite Corporation**, Tampa, FL (US)
- (*) Notice: This patent is subject to a terminal disclaimer.
- (**) Term: **15 Years**
- (21) Appl. No.: **29/609,851**
- (22) Filed: **Jul. 6, 2017**

Related U.S. Application Data

- (63) Continuation of application No. 29/491,981, filed on May 27, 2014, now Pat. No. Des. 791,969, which is (Continued)
- (51) **LOC (11) Cl.** **25-02**
- (52) **U.S. Cl.**
USPC **D25/48.3**
- (58) **Field of Classification Search**
USPC D25/48.3, 48.2; 52/455, 474, 210 (Continued)

(56) **References Cited**

U.S. PATENT DOCUMENTS

- D313,080 S 12/1990 Hall
 - D314,242 S 1/1991 Mikolaitis
- (Continued)

FOREIGN PATENT DOCUMENTS

- CA 2028375 4/1995
- CN 202187674 4/2012
- JP 2006057385 3/2006

OTHER PUBLICATIONS

Door Style, ColumbusWindow.com, [online], [site visited Nov. 19, 2018]. <URL: <http://www.columbuswindow.com/doors-2/>> (Year: 2018).*

(Continued)

Primary Examiner — T Chase Nelson
Assistant Examiner — Jonathan J. Han

(74) *Attorney, Agent, or Firm* — Berenato & White, LLC

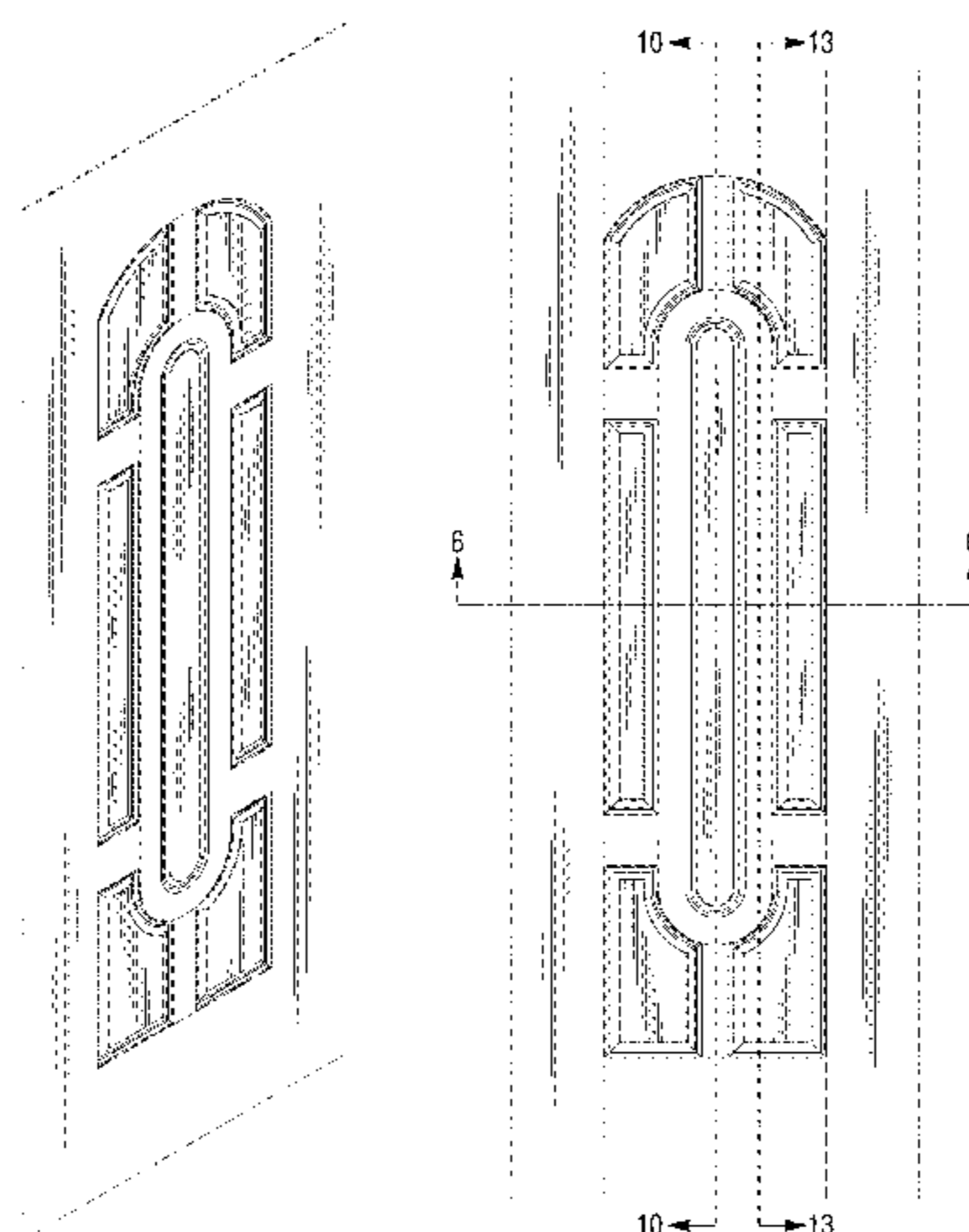
(57) **CLAIM**

The ornamental design for a door facing, as shown and described.

DESCRIPTION

FIG. 1 is a front perspective view of our design; FIG. 2 is a front elevational view of FIG. 1; FIG. 3 is a rear elevational view of FIG. 1; FIG. 4 is a top elevational view of FIG. 1; FIG. 5 is a bottom elevational view of FIG. 1; FIG. 6 is a cross-sectional view taken along the line 6-6 of FIG. 2; FIG. 7 is a magnified view of a portion of FIG. 6; FIG. 8 is a right side elevational view of FIG. 1; FIG. 9 is a left side elevational view of FIG. 1; FIG. 10 is a cross-sectional view taken along the line 10-10 of FIG. 2; FIG. 11 is a magnified view of a first portion of FIG. 10; FIG. 12 is a magnified view of a second portion of FIG. 10; FIG. 13 is a cross-sectional view taken along the line 13-13 of FIG. 2; FIG. 14 is a magnified view of a first portion of FIG. 13; FIG. 15 is a magnified view of a second portion of FIG. 13; FIG. 16 is a magnified view of a third portion of FIG. 13; and, FIG. 17 is a magnified view of a fourth portion of FIG. 13. The broken lines in the figures depict unclaimed portions of the door facing for illustrative purposes only, and form no part of the claimed design. The oval broken lines in FIGS.

(Continued)



6-7 and 10-17 indicate the locations and boundaries of enlarged views and form no part of the claimed design.

1 Claim, 6 Drawing Sheets

Related U.S. Application Data

a continuation of application No. 29/431,342, filed on Sep. 6, 2012, now Pat. No. Des. 705,947.

(58) **Field of Classification Search**

CPC . E06B 3/7001; E06B 3/72; E06B 3/78; E06B 3/76; E06B 1/16; E06B 3/70; E06B 7/23
See application file for complete search history.

(56) **References Cited**

U.S. PATENT DOCUMENTS

D349,352 S	8/1994	Csati	
D467,350 S	12/2002	Jimenez et al.	
D526,419 S *	8/2006	Walsh	D25/138
D550,856 S *	9/2007	Hackett	D25/48.3
D552,254 S	10/2007	Hackett	
D552,255 S	10/2007	Hackett	
D566,293 S *	4/2008	Walsh	D25/138
D583,069 S *	12/2008	Lynch	D25/138
D607,120 S *	12/2009	Davina	D25/48.3
D611,614 S *	3/2010	Walsh	D25/48.3
D614,310 S *	4/2010	Davina	D25/48.3
D617,005 S *	6/2010	Mullet	D25/48.3
D621,063 S *	8/2010	Mullet	D25/48.3
D621,064 S *	8/2010	Mullet	D25/48.3
D621,065 S *	8/2010	Mullet	D25/48.3
D625,023 S *	10/2010	Turner	D25/48.3
D625,836 S *	10/2010	Walsh	D25/48.3
D625,837 S *	10/2010	Mullet	D25/48.3

D634,854 S	3/2011	Lynch	
D634,855 S	3/2011	Lynch	
D640,392 S *	6/2011	Walsh	D25/38.1
D669,599 S *	10/2012	Walsh	D25/48.3
D686,752 S *	7/2013	Lynch	D25/48.3
D687,165 S *	7/2013	Walsh	D25/48.3
D696,422 S *	12/2013	Walsh	D25/48.3
D701,324 S *	3/2014	Lynch	D25/48.3
D705,946 S *	5/2014	Wysock	D25/48.3
D705,947 S *	5/2014	Wysock	D25/48.3
D736,409 S *	8/2015	Gouge	D25/48.3
D748,816 S *	2/2016	Gouge	D25/48.3
D752,243 S *	3/2016	Lynch	D25/48.3
D753,842 S *	4/2016	Wysock	D25/48.3
D790,729 S *	6/2017	Wysock	D25/48.3
D791,969 S *	7/2017	Wysock	D25/48.3
D802,793 S *	11/2017	Gouge	D25/48.3
D804,056 S *	11/2017	Wysock	D25/48.3
D808,541 S *	1/2018	Gouge	D25/48.3
2011/0036036 A1	2/2011	Thompson	
2011/0107703 A1	5/2011	Mullet	

OTHER PUBLICATIONS

Lakewood Brass Center Arch Lite Front Dorr, Home Depot, [online], [site visited Aug. 26, 2016]. <URL; <http://www.homedepot.com/p/Feather-River-Doors-37-5in-x-81-625-in-Lakewood-Brass-Center-Arch-Lite-Stained-Medium-Oak-Fiberglass-Prehung-Front-Door-321405/100086267>>.
Belleville Entry Door, Masonite Corporation, [online], [site visited Aug. 26, 2016], <URL; <https://configure.masonitecloud.com/anonymous/configDoor.spr?productLine=entry&zipCode=22314&country=US&doorId=FG-BMT-DR-203-010-X-7-80-36>>.
Center Arch Light Entry Door, Pella, [online], [site visited Aug. 26, 2016]. <URL; <http://www.pella.com/doors/center-arch-light-entry-doors/architect-series/>>.

* cited by examiner

FIG. 1

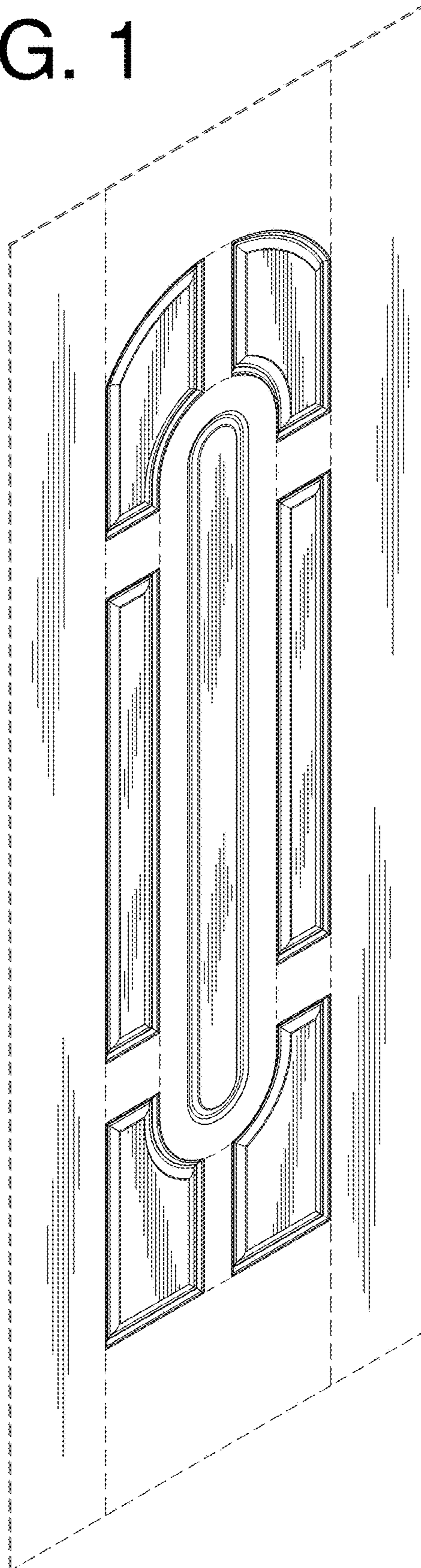


FIG. 2

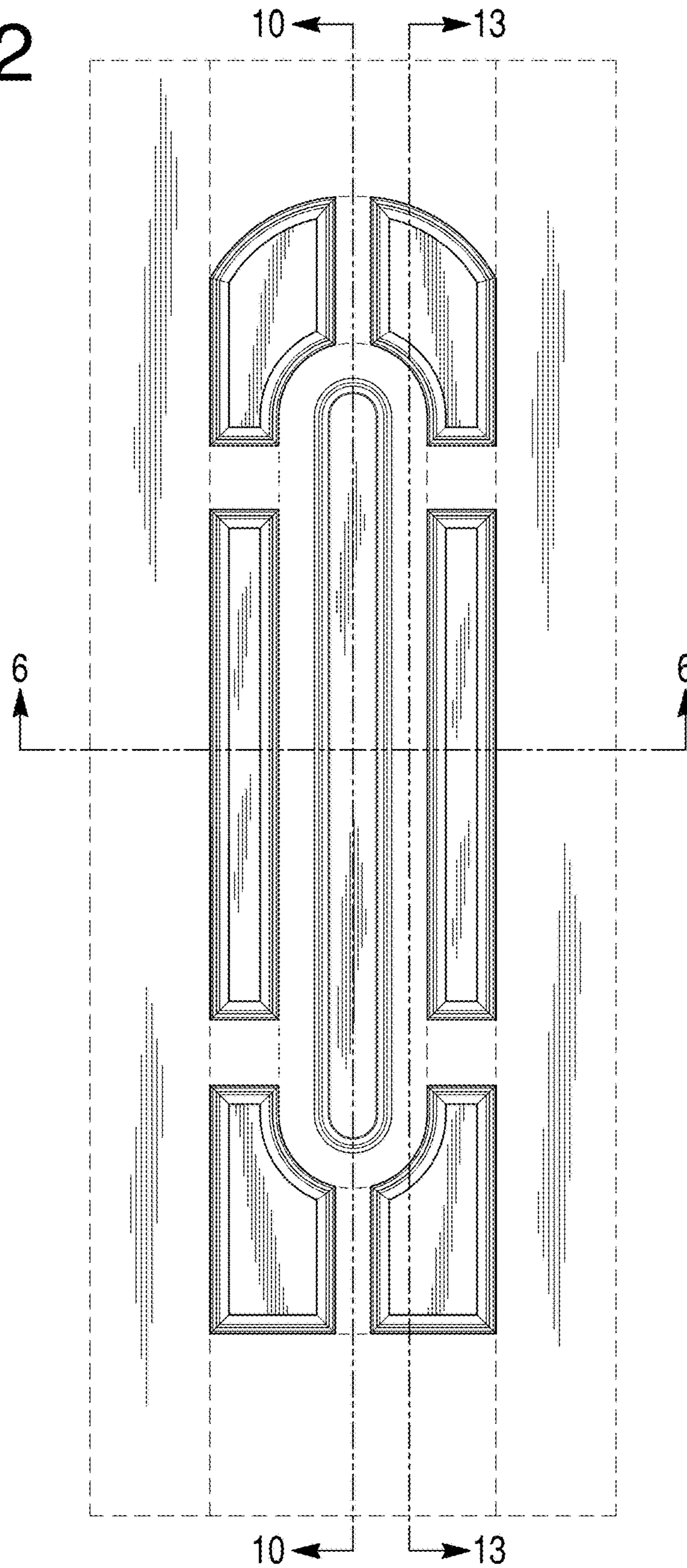


FIG. 3

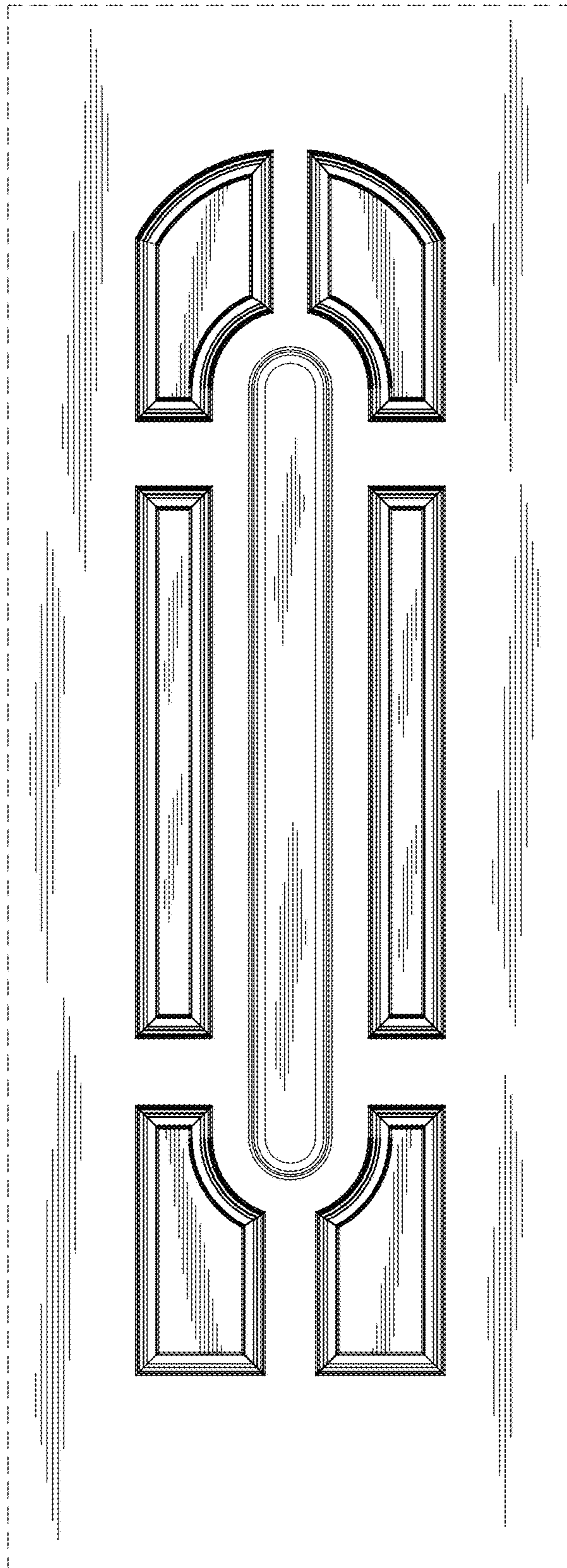


FIG. 4

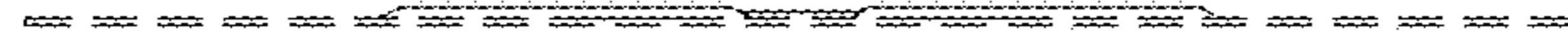


FIG. 5

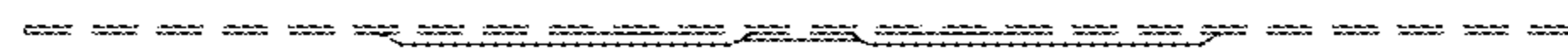


FIG. 6

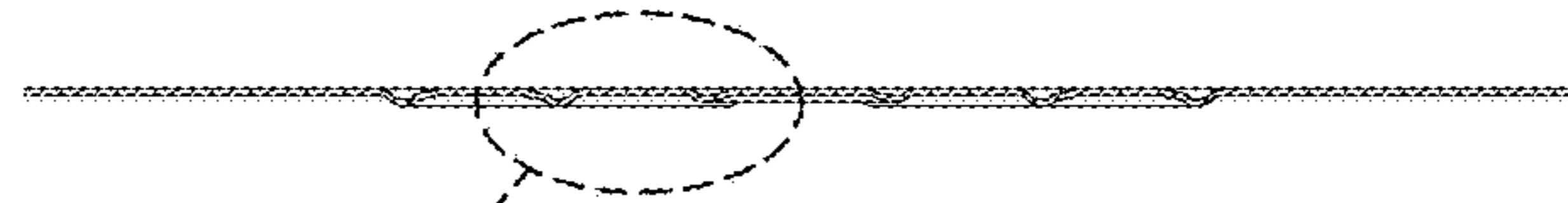


FIG. 7

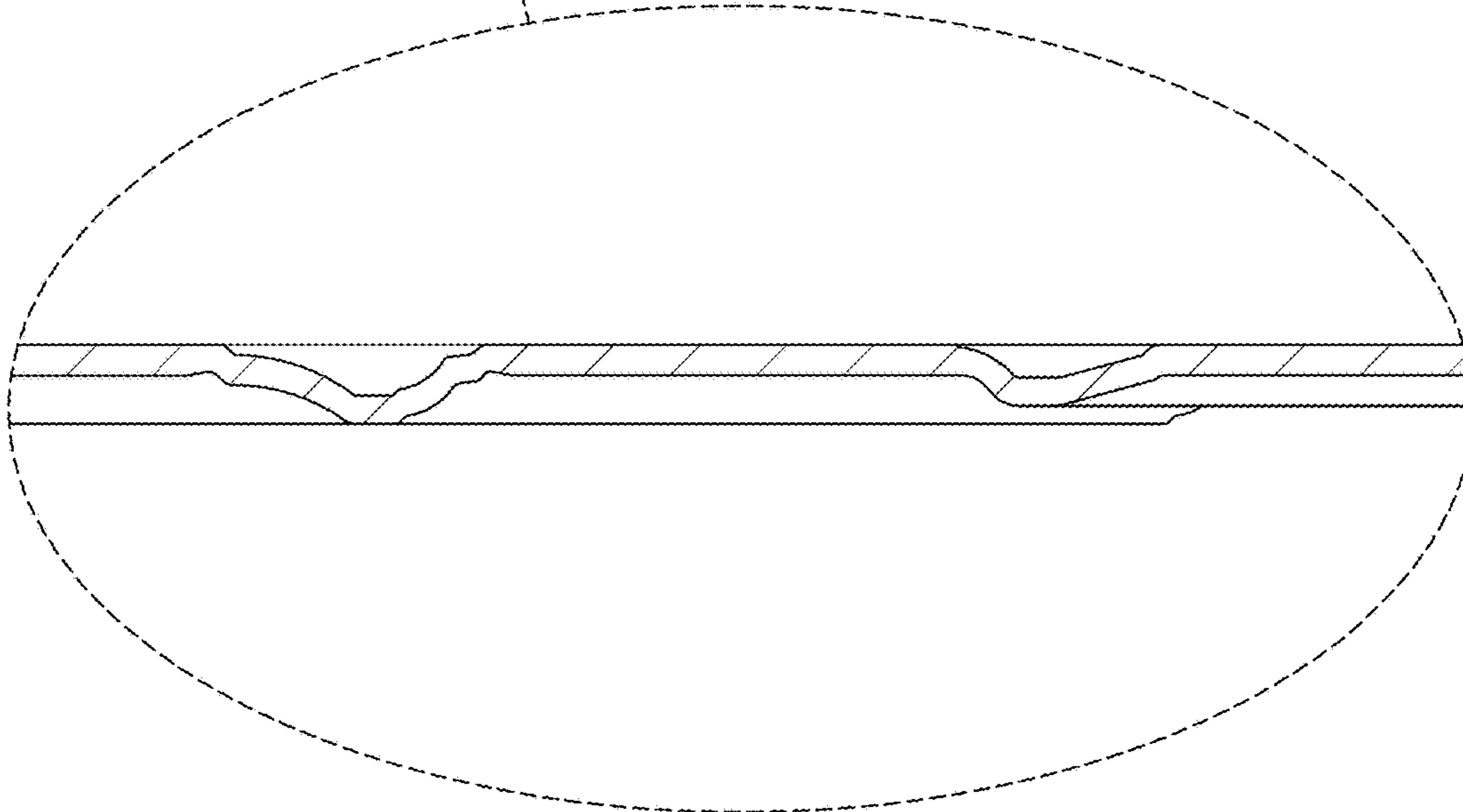


FIG. 8

FIG. 9

Fig. 10

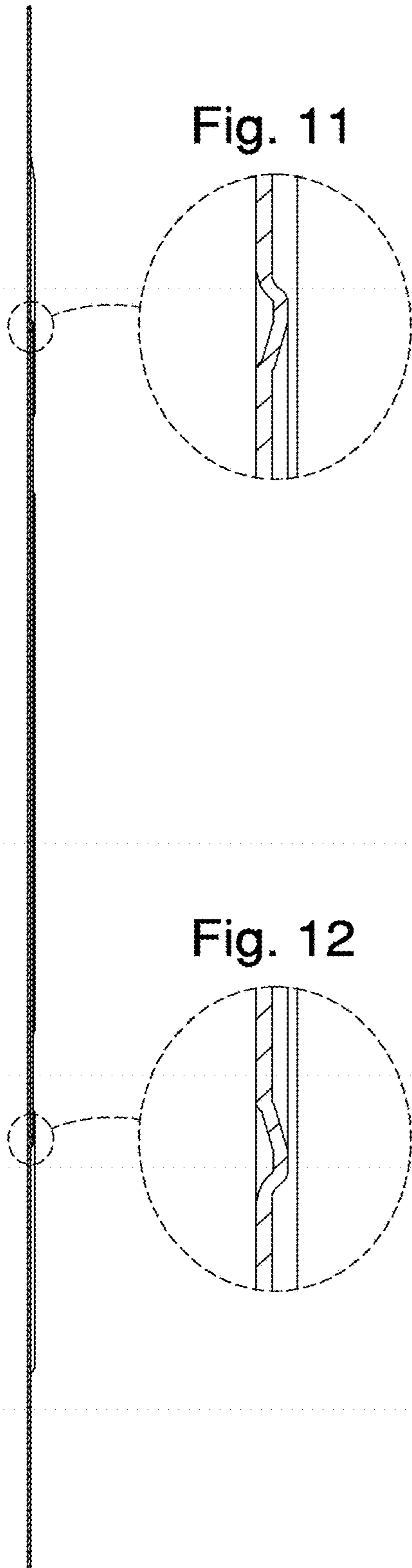


Fig. 13

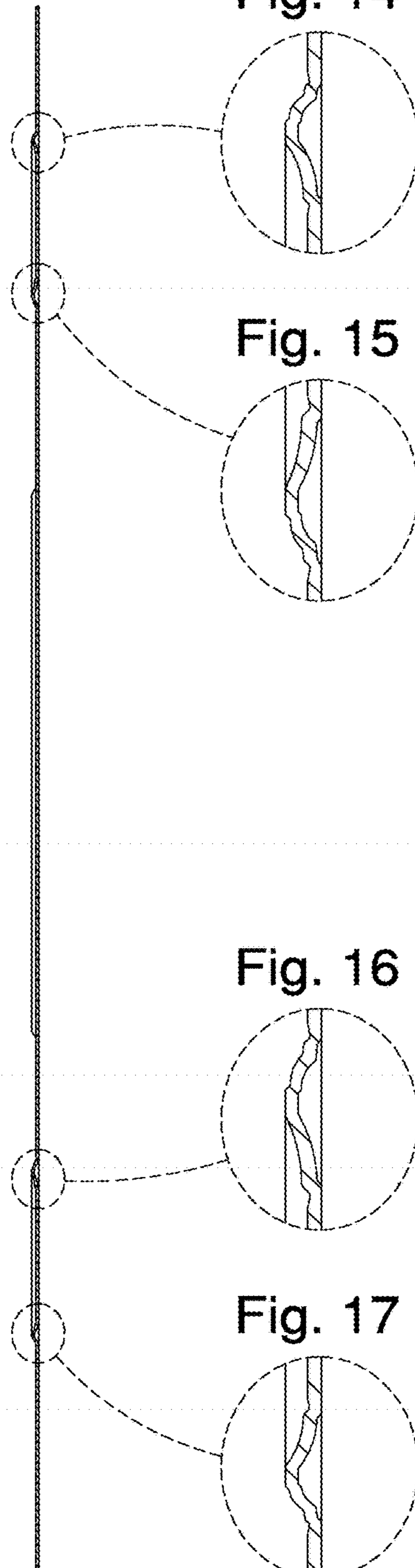


Fig. 12

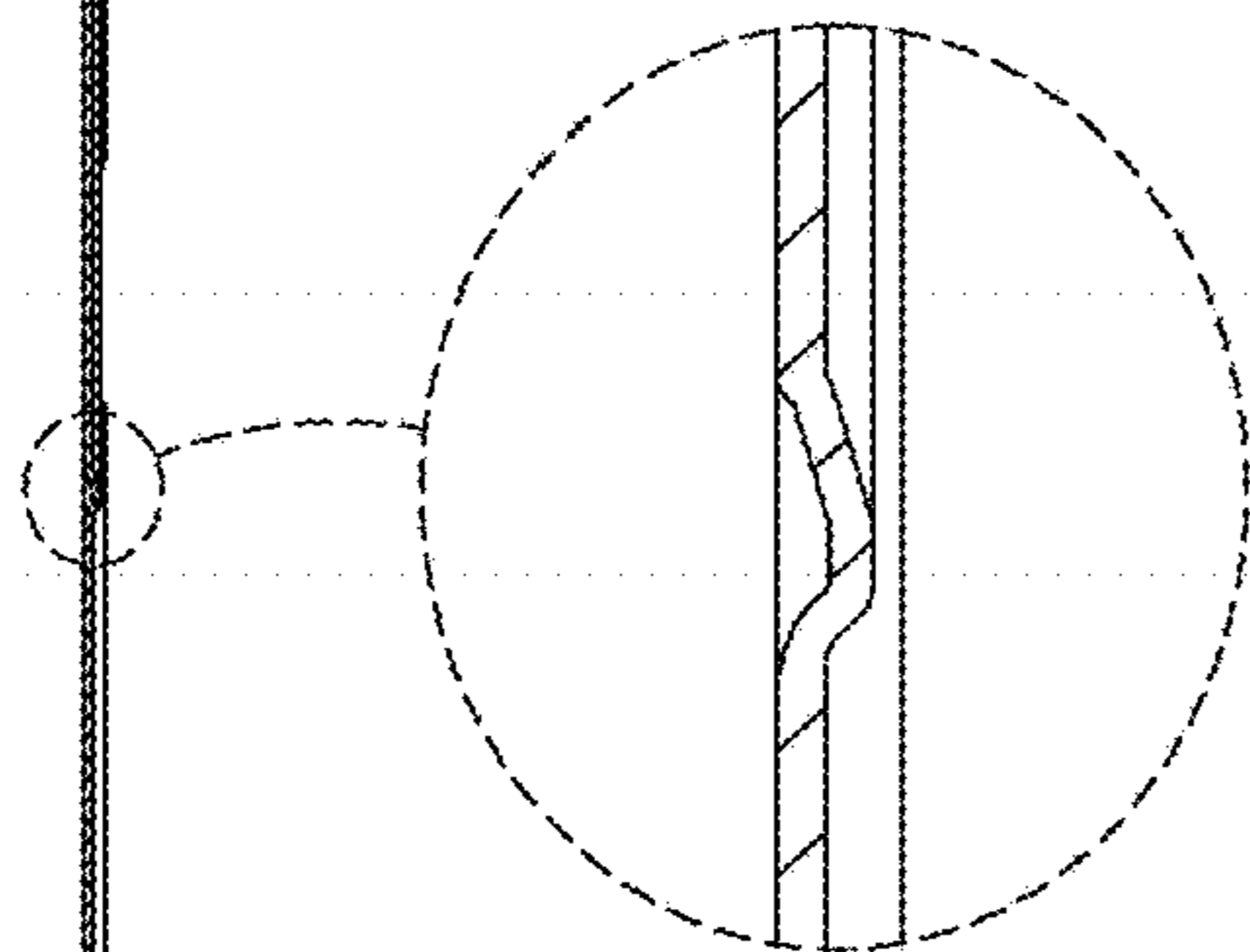


Fig. 16

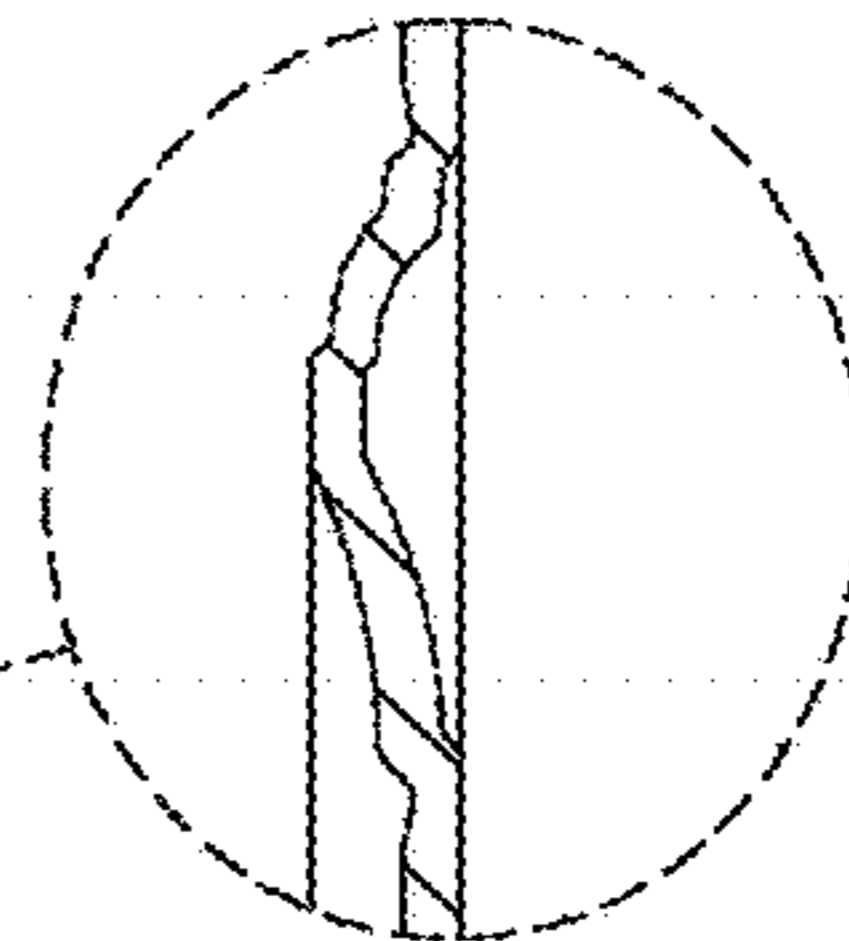


Fig. 17

