



US00D855215S

(12) **United States Design Patent**
Long et al.

(10) **Patent No.:** **US D855,215 S**
(45) **Date of Patent:** **** Jul. 30, 2019**

- (54) **ROOFTOP POD STRUCTURE**
- (71) Applicant: **RotoLab, LLC.**, Los Angeles, CA (US)
- (72) Inventors: **Nels Long**, Los Angeles, CA (US);
Michael Rotondi, Los Angeles, CA (US)
- (**) Term: **15 Years**
- (21) Appl. No.: **29/635,039**
- (22) Filed: **Jan. 26, 2018**
- (51) **LOC (11) Cl.** **25-03**
- (52) **U.S. Cl.**
USPC **D25/19; D25/20**
- (58) **Field of Classification Search**
USPC D25/1, 3-5, 14-16, 18, 19, 31-33, 56,
D25/20, 12
CPC . E04H 1/00-12; E04H 1/1205; E04H 1/1211;
E04H 1/1233; E04H 3/14; E04H 3/22;
E04B 1/32; E04B 1/3205; E04B
7/10-107
See application file for complete search history.

- D272,470 S * 1/1984 Thompson D25/18
 - D275,421 S * 9/1984 Fraioli D25/20
 - D275,521 S * 9/1984 Fraioli D25/20
 - D275,791 S * 10/1984 Fraioli D25/20
 - D275,792 S * 10/1984 Fraioli D25/20
 - D275,794 S * 10/1984 Fraioli D25/20
 - D275,795 S * 10/1984 Fraioli D25/20
 - 2007/0251161 A1 * 11/2007 Tuzcek E04B 7/102
52/80.1
 - 2018/0309403 A1 * 10/2018 Brown E04B 1/32
- * cited by examiner

Primary Examiner — Brett Miller

(57) **CLAIM**

The ornamental design for a rooftop pod structure, as shown and described.

DESCRIPTION

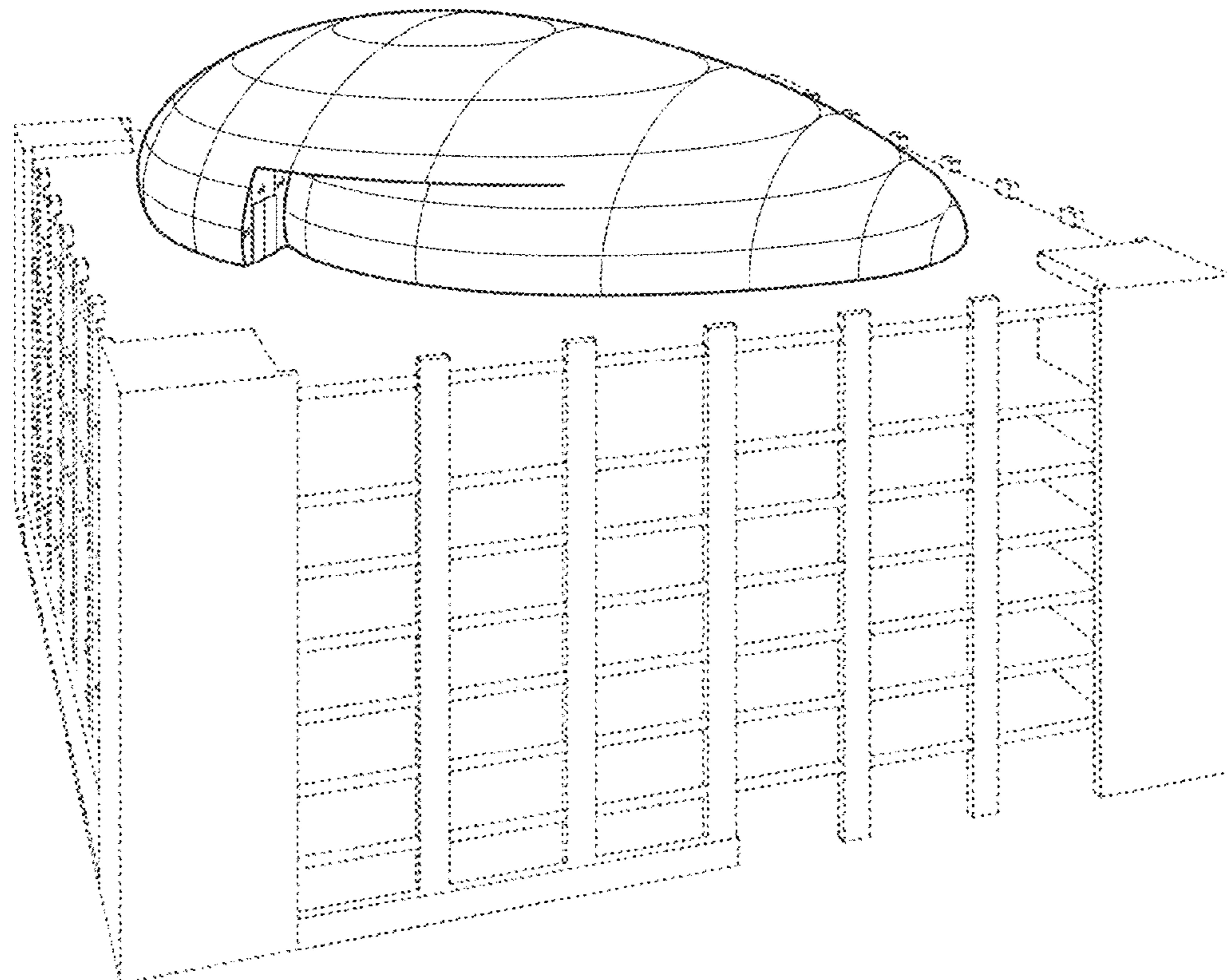
FIG. 1 is an elevated right perspective view thereof.
 FIG. 2 is an elevated front perspective view thereof.
 FIG. 3 is an elevated left perspective view thereof.
 FIG. 4 is an elevated back perspective view thereof.
 FIG. 5 is a top view thereof.
 FIG. 6 is a direct front view thereof.
 FIG. 7 is a direct left view thereof; and,
 FIG. 8 is a direct back view thereof.
 The broken lines in the figures show portions of the building exterior that form no part of the claimed design.

(56) **References Cited**

U.S. PATENT DOCUMENTS

- 2,905,579 A * 9/1959 Sumner E04B 1/32
114/358
- D224,679 S * 8/1972 Groh 52/80.1

1 Claim, 8 Drawing Sheets



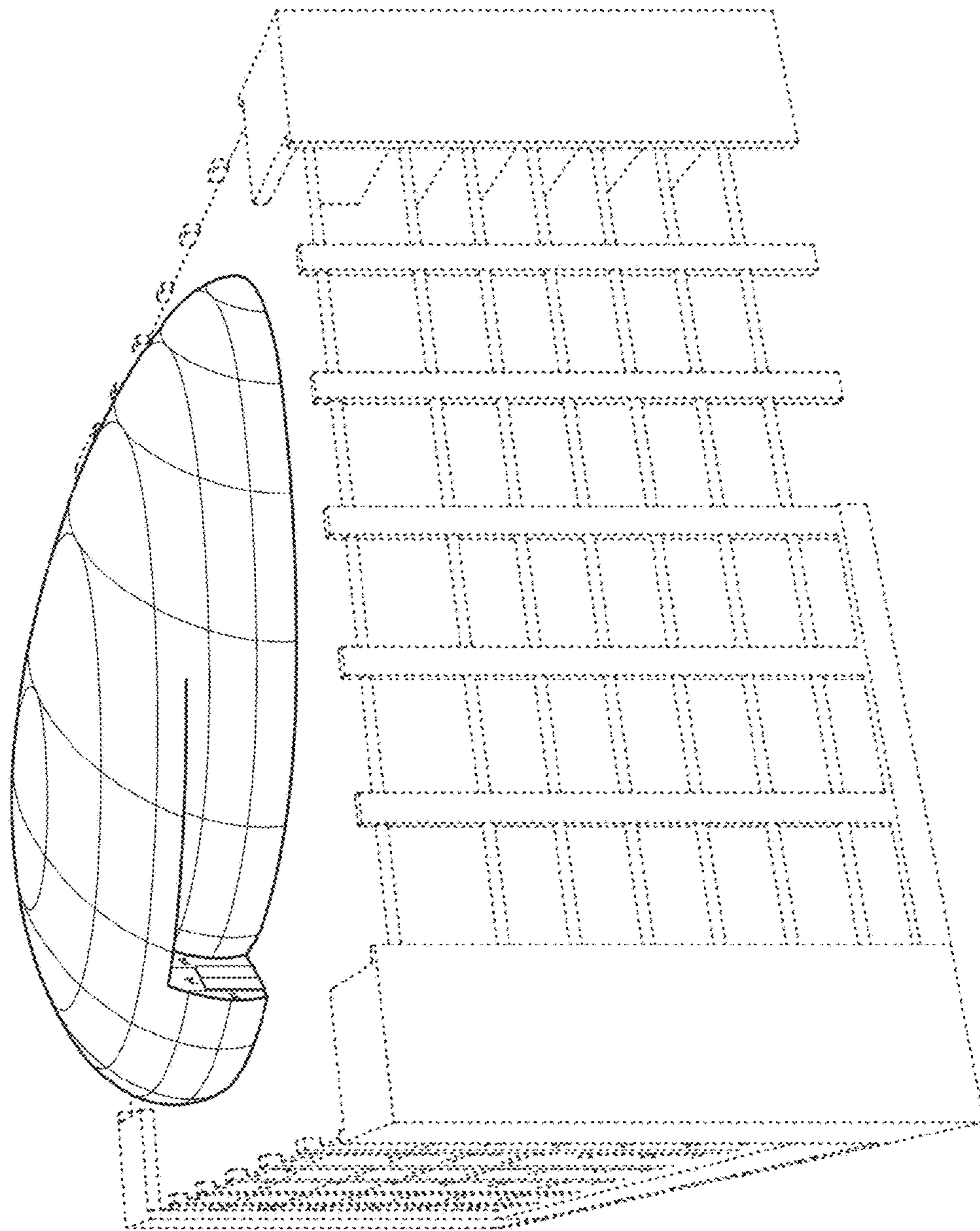


Fig 1

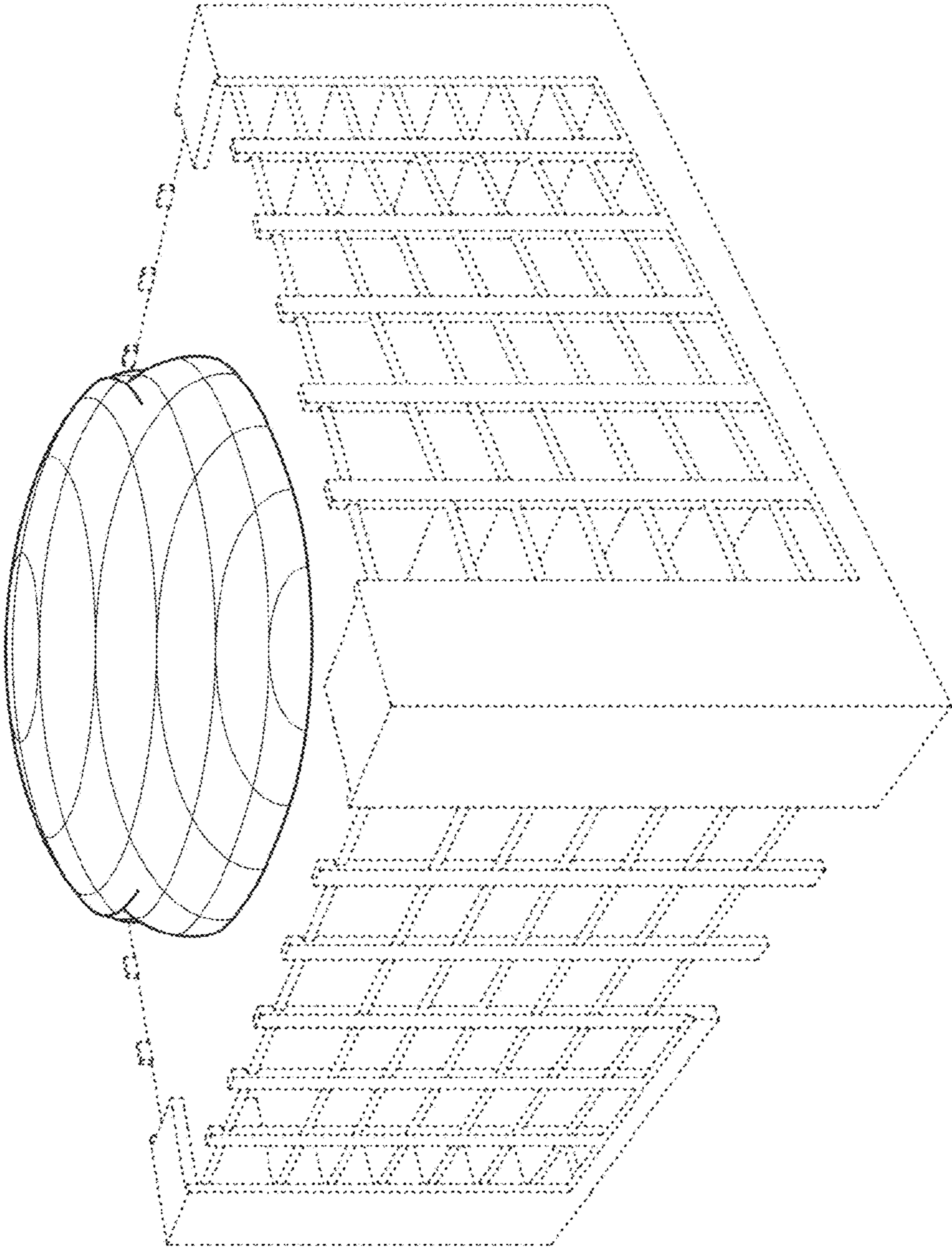


Fig 2

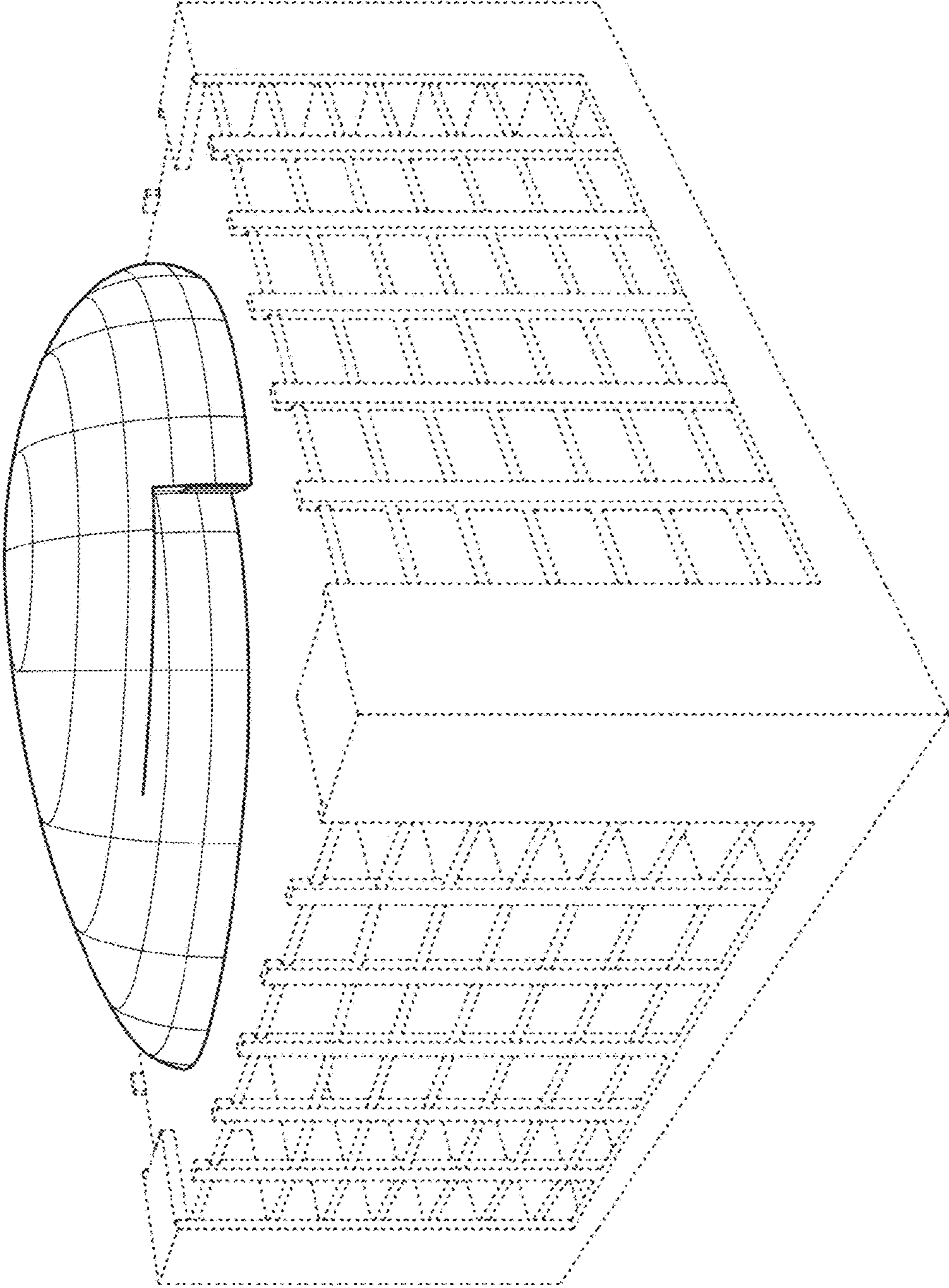


Fig 3

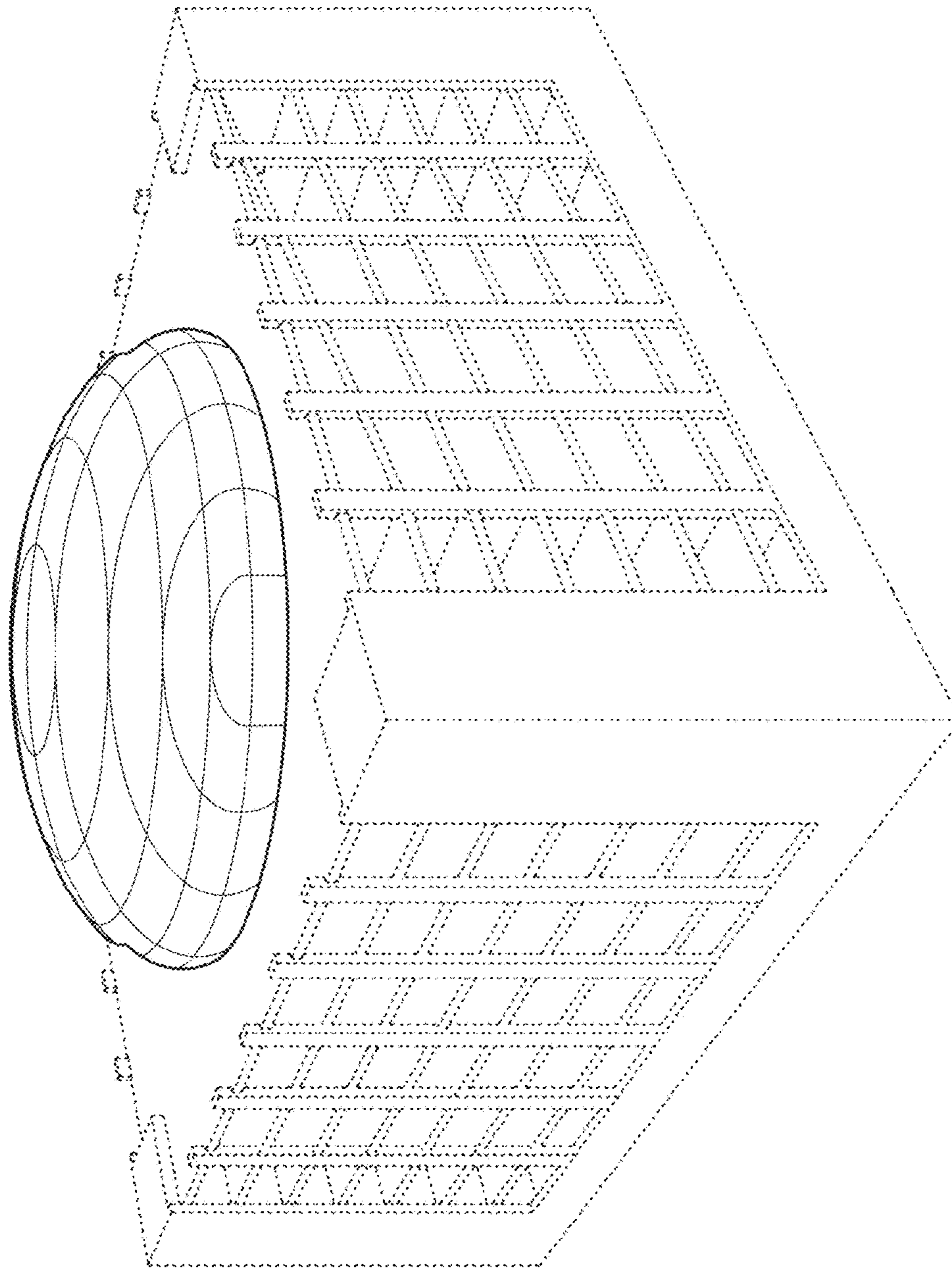


Fig 4

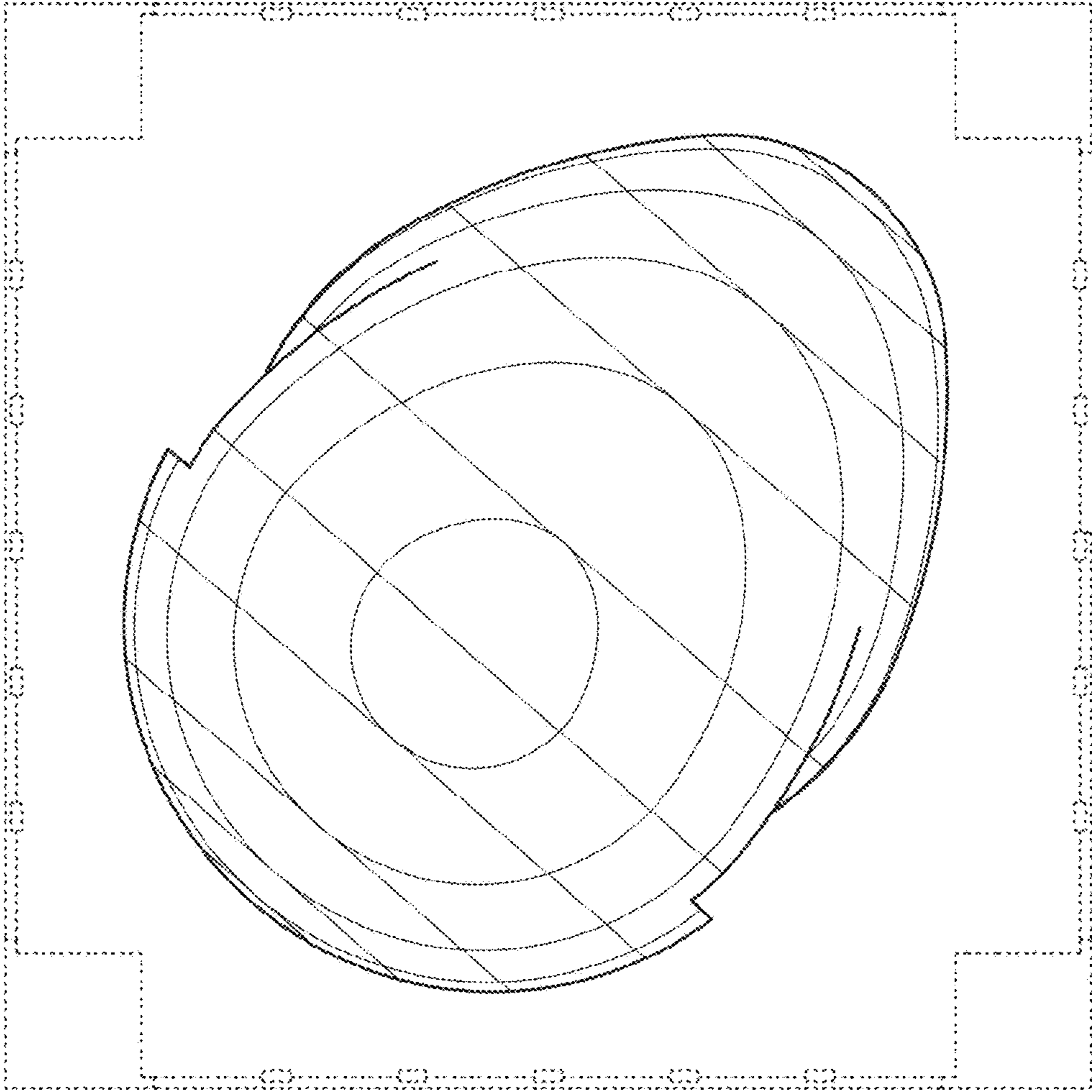


Fig 5

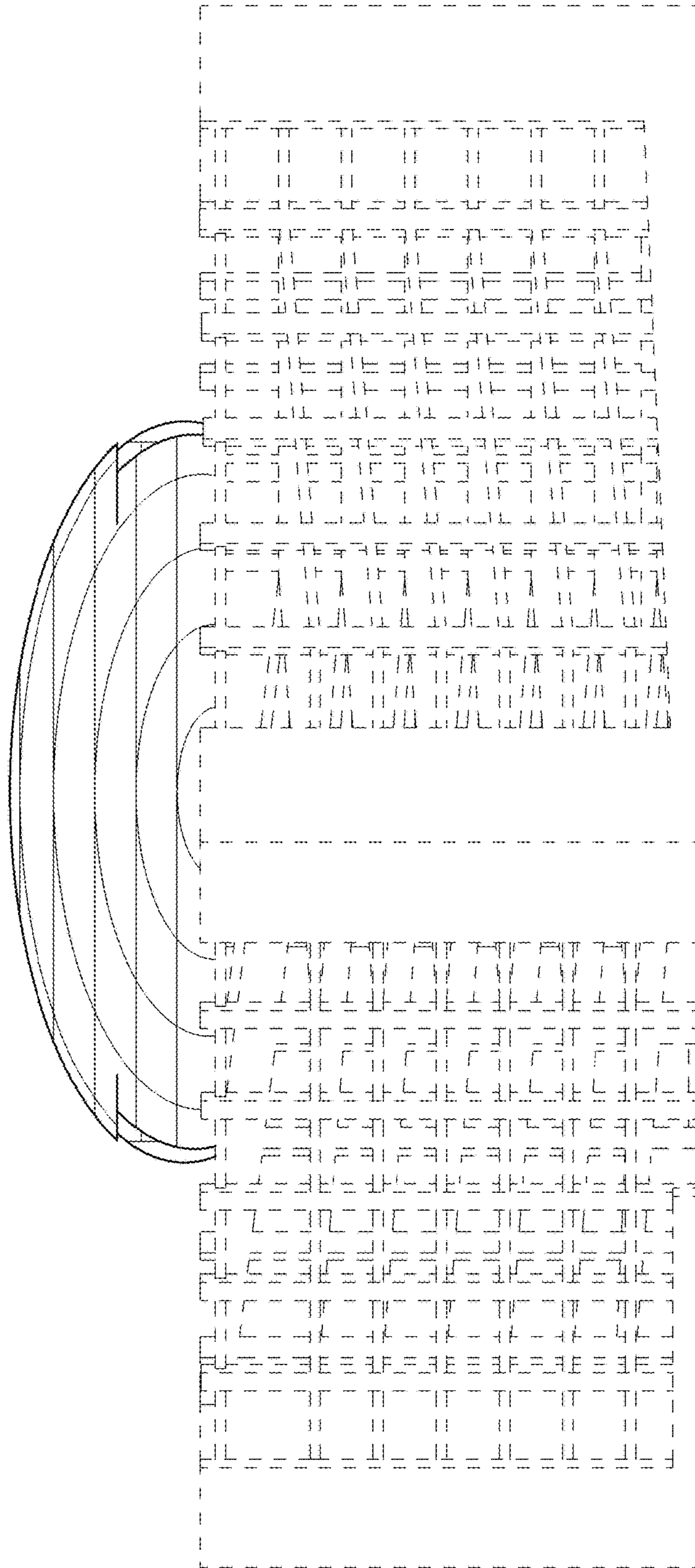


Fig. 6

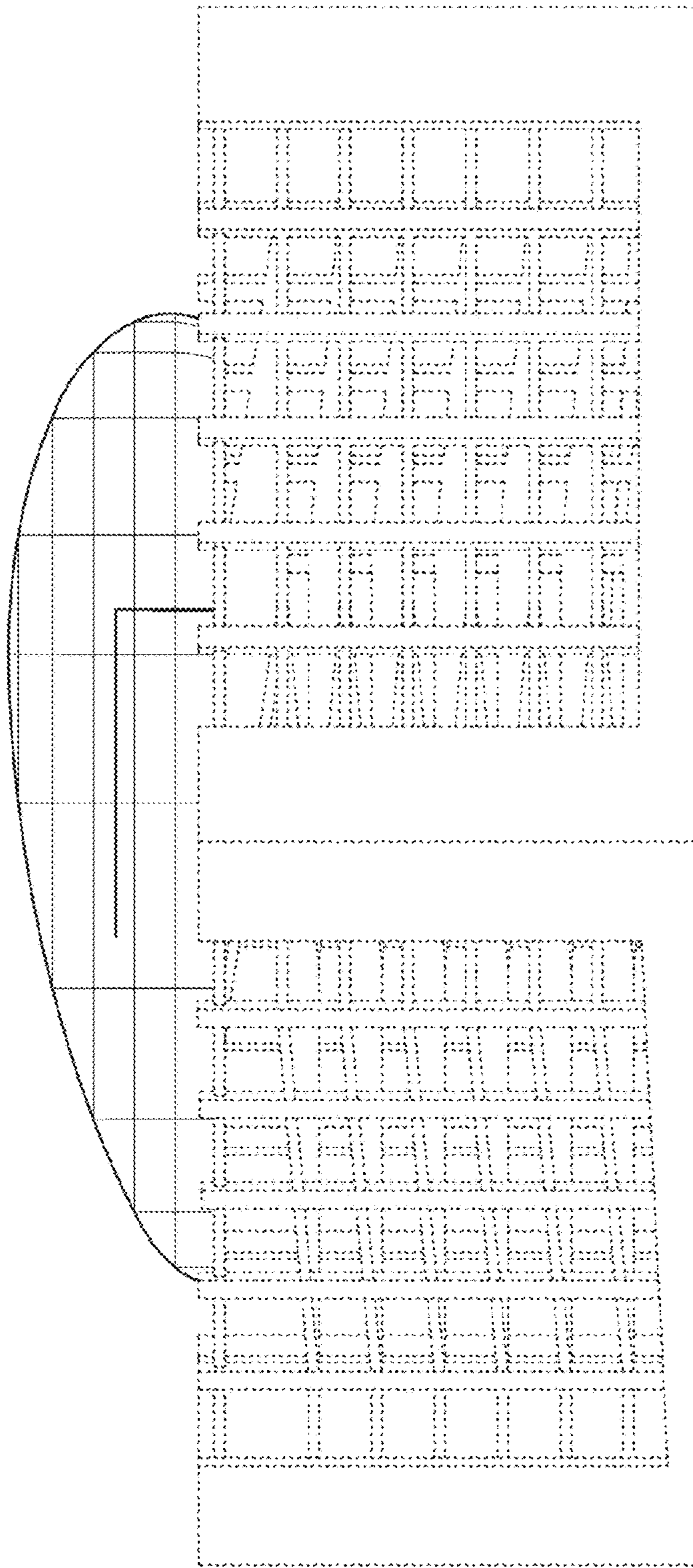


Fig 7

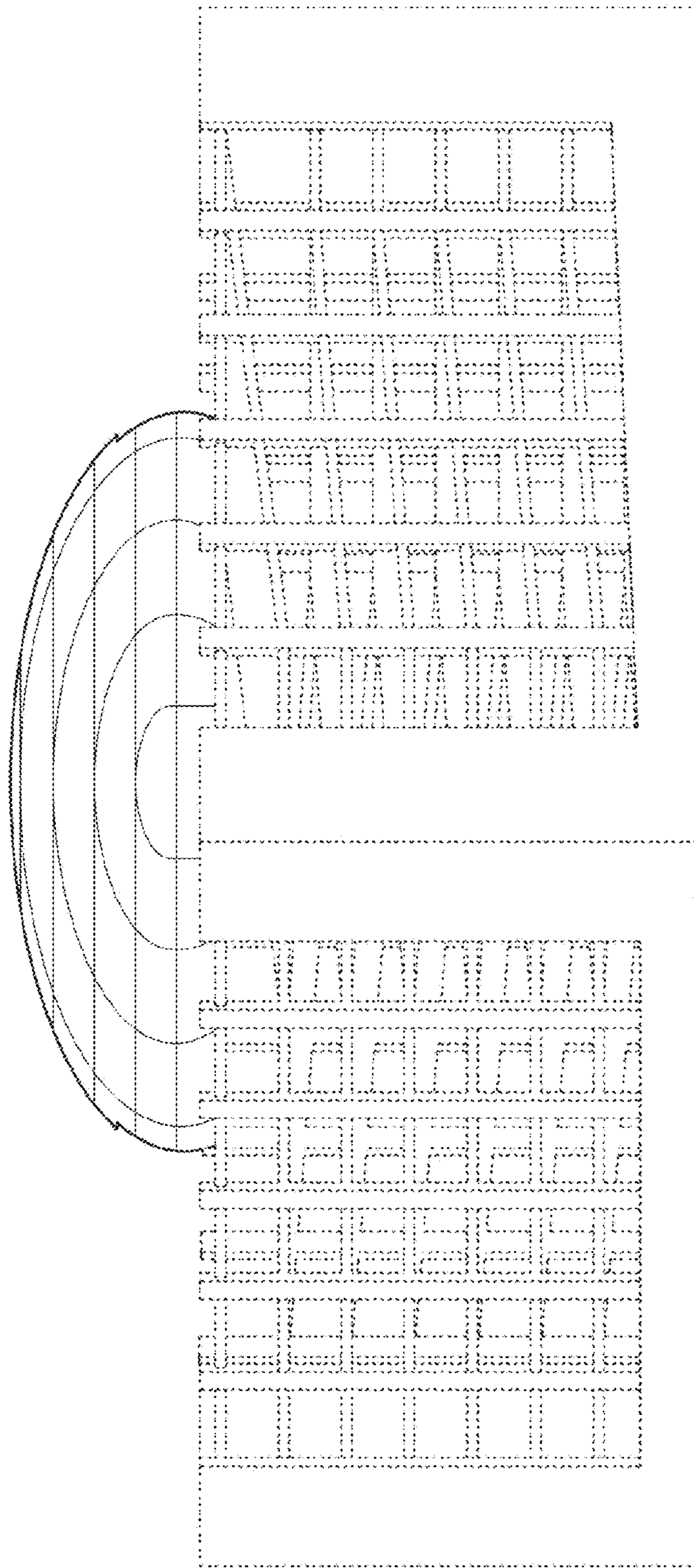


Fig 8