



US00D855212S

(12) **United States Design Patent**
Komuro

(10) **Patent No.:** **US D855,212 S**
(45) **Date of Patent:** **** Jul. 30, 2019**

(54) **GENE AMPLIFICATION APPARATUS**

(71) Applicant: **Nippon Sheet Glass Company, Limited**, Tokyo (JP)

(72) Inventor: **Yoshihiro Komuro**, Tokyo (JP)

(73) Assignee: **Nippon Sheet Glass Company, Limited**, Tokyo (JP)

(**) Term: **15 Years**

(21) Appl. No.: **29/612,862**

(22) Filed: **Aug. 4, 2017**

(30) **Foreign Application Priority Data**

Feb. 7, 2017 (JP) 2017-002138

(51) **LOC (11) Cl.** **24-01**

(52) **U.S. Cl.**
USPC **D24/233; D24/232**

(58) **Field of Classification Search**
USPC D24/107, 169, 185, 186, 216-219,
D24/231-234; D10/81
CPC G01N 21/0483; G01N 21/0303; G01N
35/00029; G01N 35/00019; G01N
2035/00326; G01N 21/6428; G01N
21/6486; G01N 2201/061
See application file for complete search history.

(56) **References Cited**

U.S. PATENT DOCUMENTS

5,397,537 A * 3/1995 Kanda G01N 33/525
422/403
D537,951 S * 3/2007 Okamoto D24/233

D556,914 S * 12/2007 Okamoto D24/233
D597,216 S * 7/2009 McGuigan D24/216
D616,993 S * 6/2010 Muis D24/186
D647,621 S * 10/2011 Lee D24/186
D717,459 S * 11/2014 Lin D24/216
9,096,892 B1 * 8/2015 Klemer G01N 21/6428
D741,497 S * 10/2015 Aber D24/167
D835,293 S * 12/2018 Masuda D24/232
2006/0066858 A1 * 3/2006 Jaunakais G01N 21/0303
356/436
2016/0265040 A1 * 9/2016 Baumgartner G01N 21/253

* cited by examiner

Primary Examiner — Anhdao Doan

(74) *Attorney, Agent, or Firm* — Sughrue Mion, PLLC

(57) **CLAIM**

The ornamental design for a gene amplification apparatus, as shown and described.

DESCRIPTION

FIG. 1 is a perspective view of a gene amplification apparatus;
FIG. 2 is a front view thereof;
FIG. 3 is a rear view thereof;
FIG. 4 is a left side view thereof;
FIG. 5 is a right side view thereof;
FIG. 6 is a top plan view thereof;
FIG. 7 is a bottom plan view thereof; and,
FIG. 8 is a perspective view of the gene amplification apparatus in a condition of use.
The broken lines in the drawings are for the purpose of illustrating portions of the gene amplification apparatus which form no part of the claimed design.

1 Claim, 7 Drawing Sheets

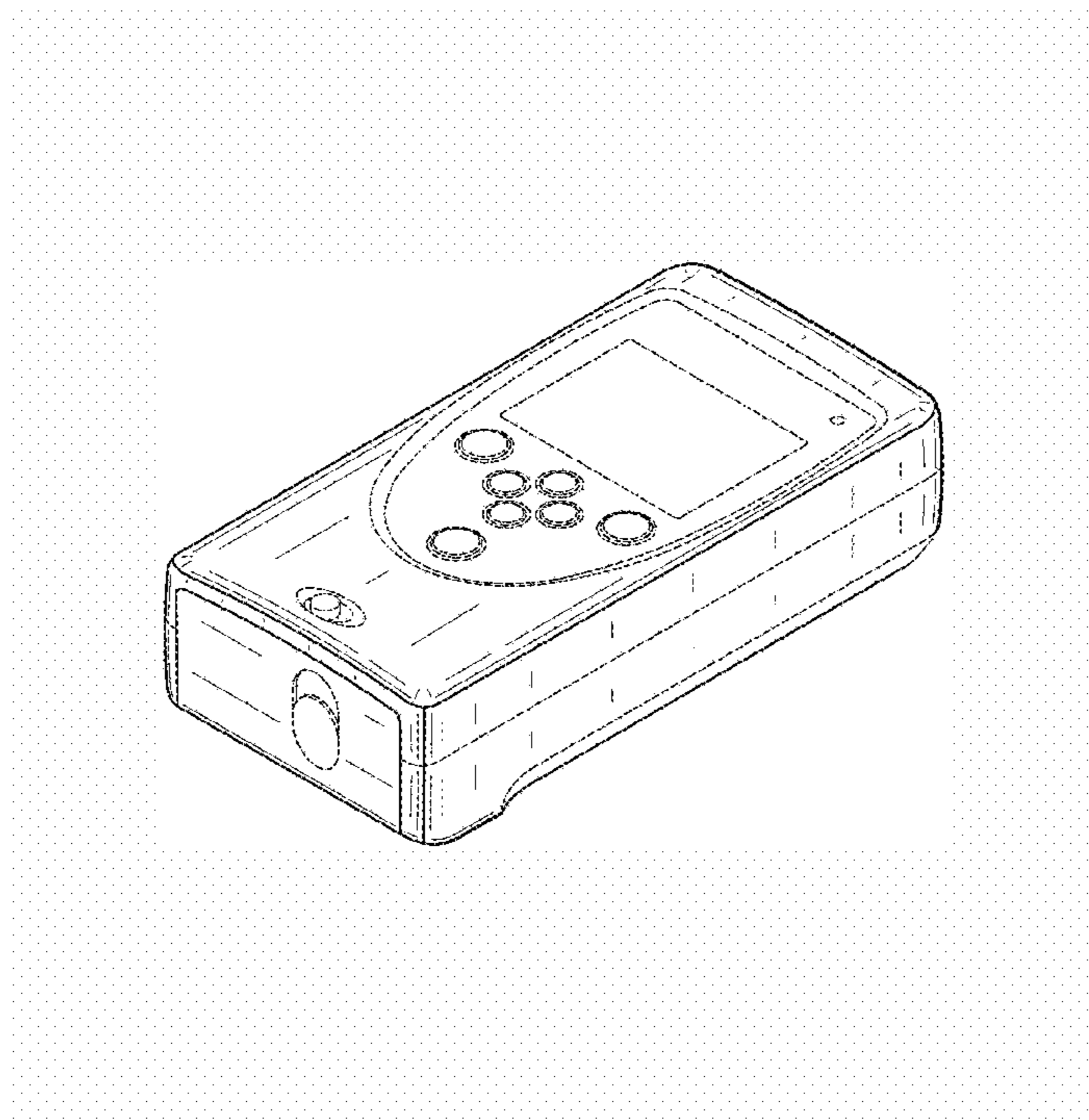


FIG. 1

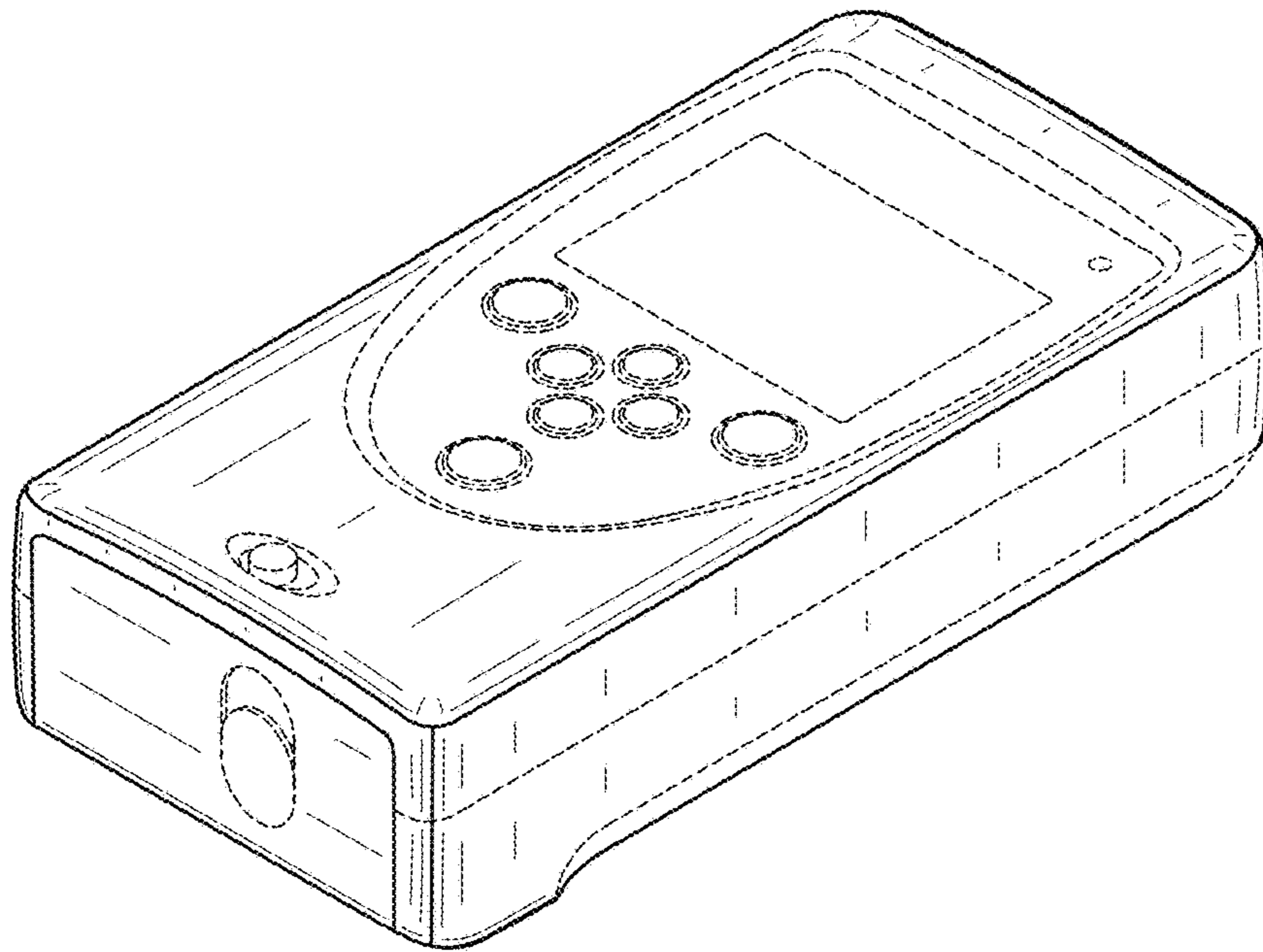


FIG. 2

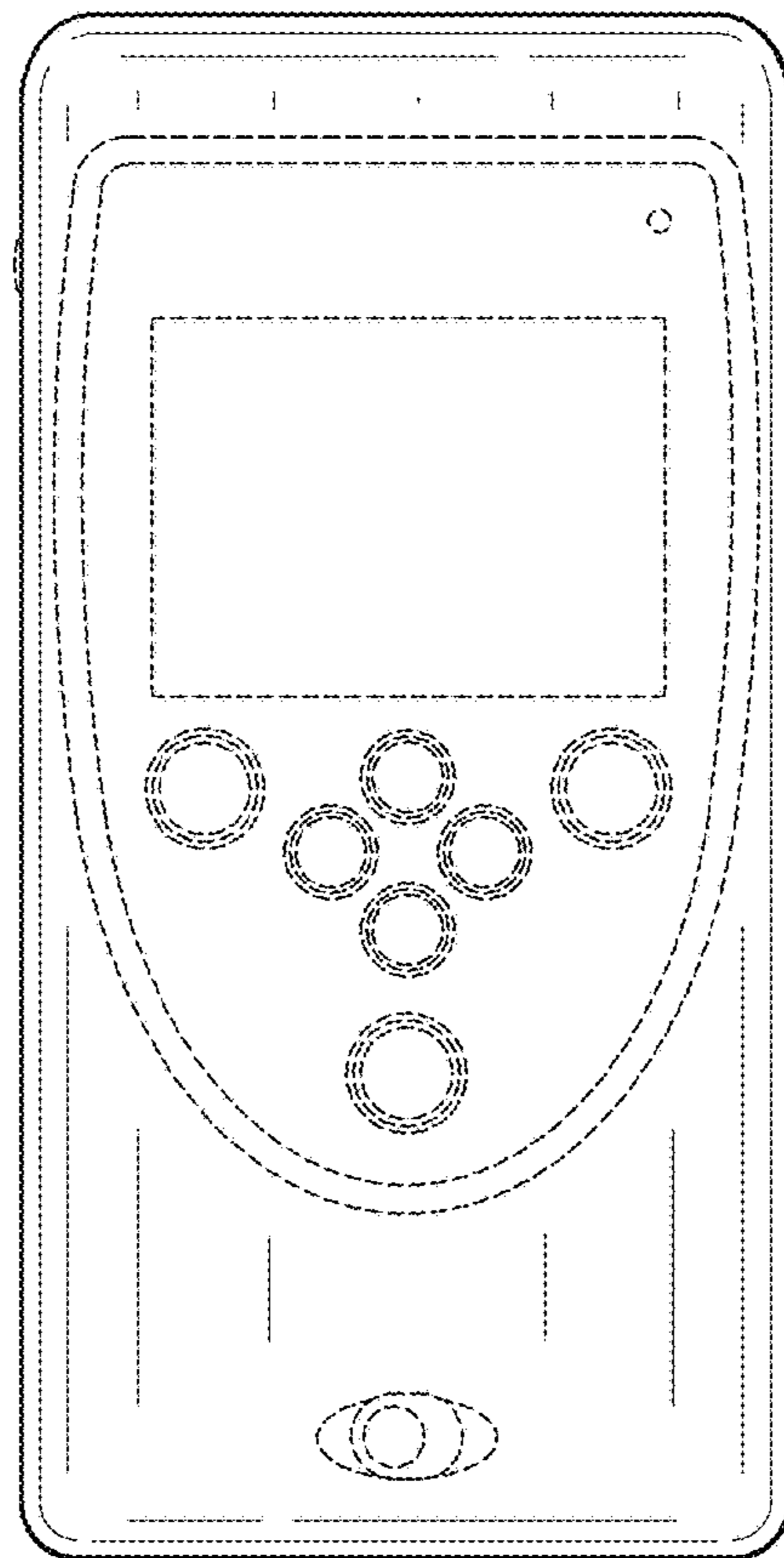


FIG. 3

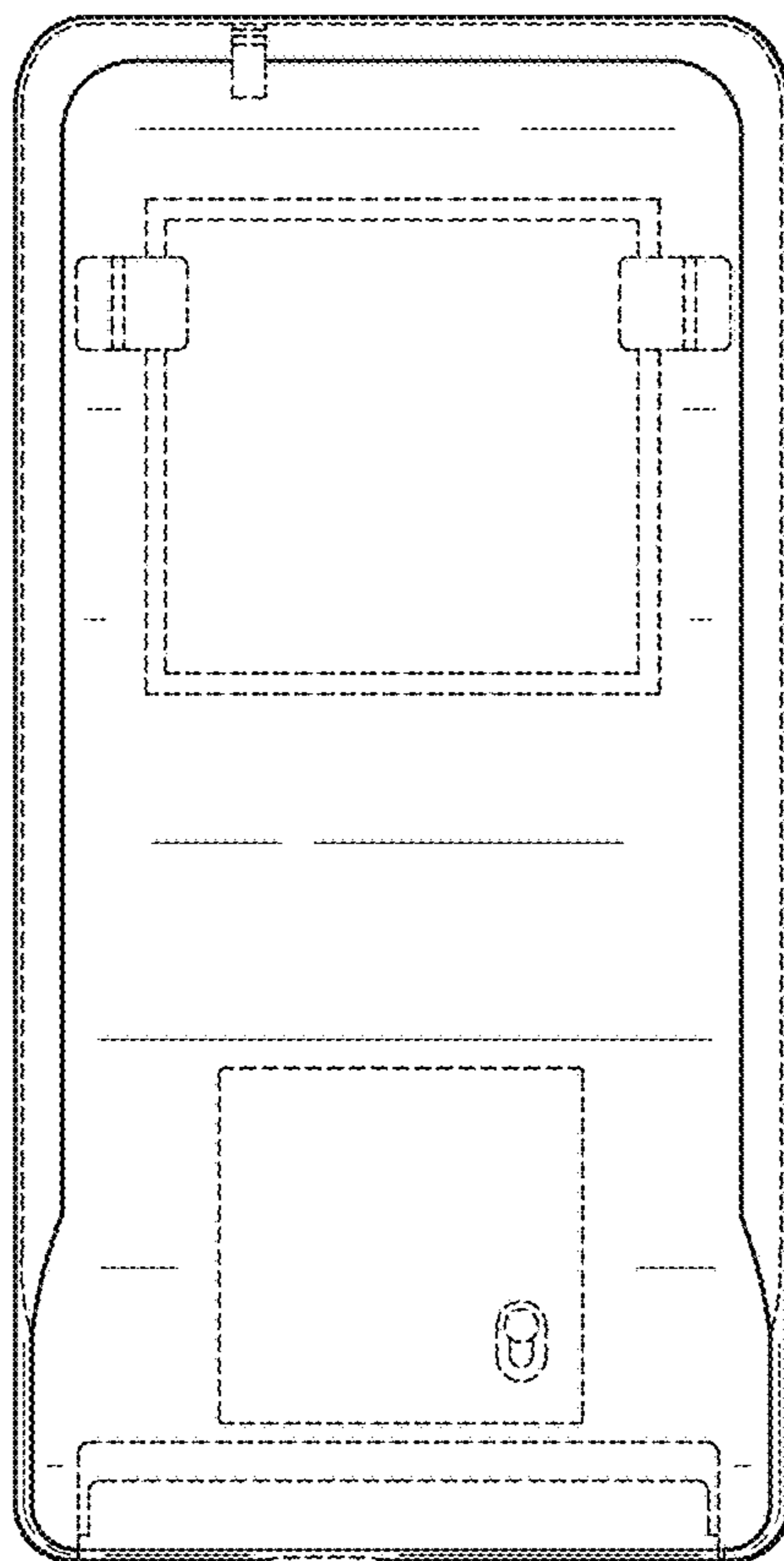


FIG. 4

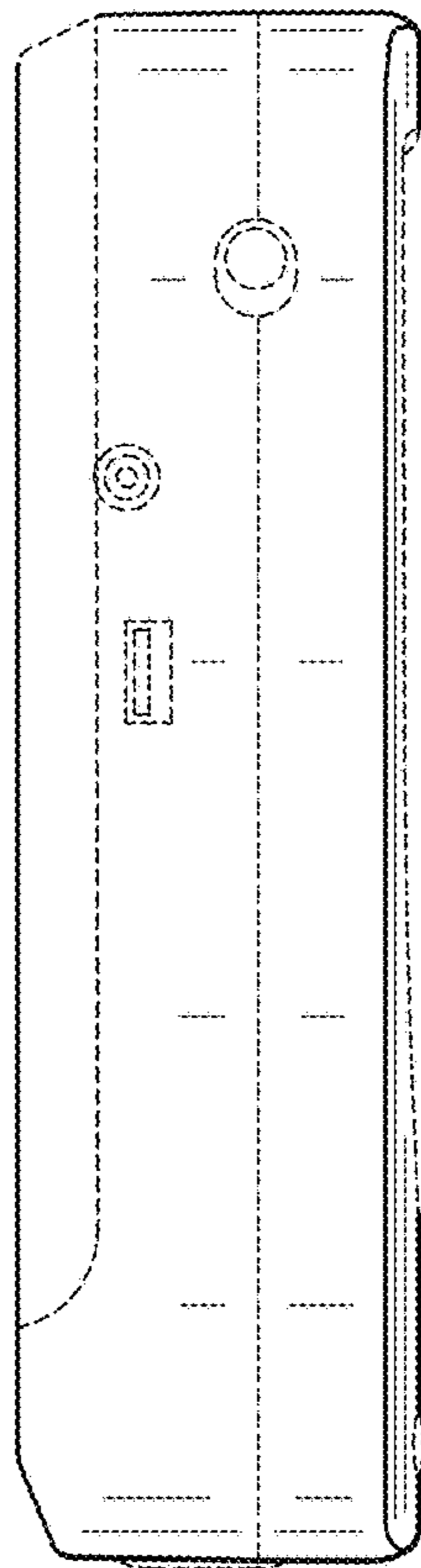


FIG. 5

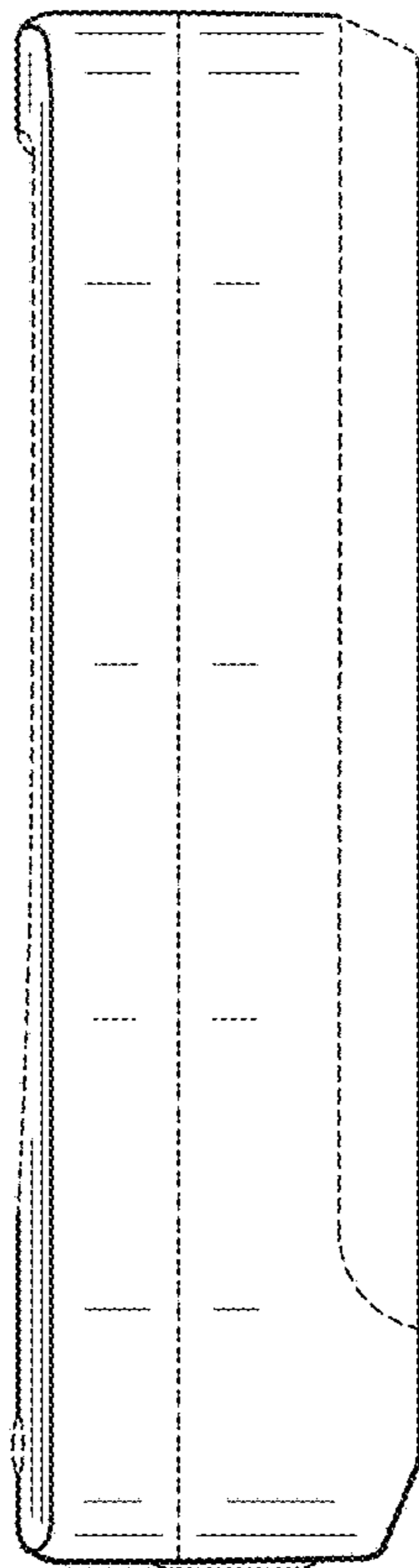


FIG. 6

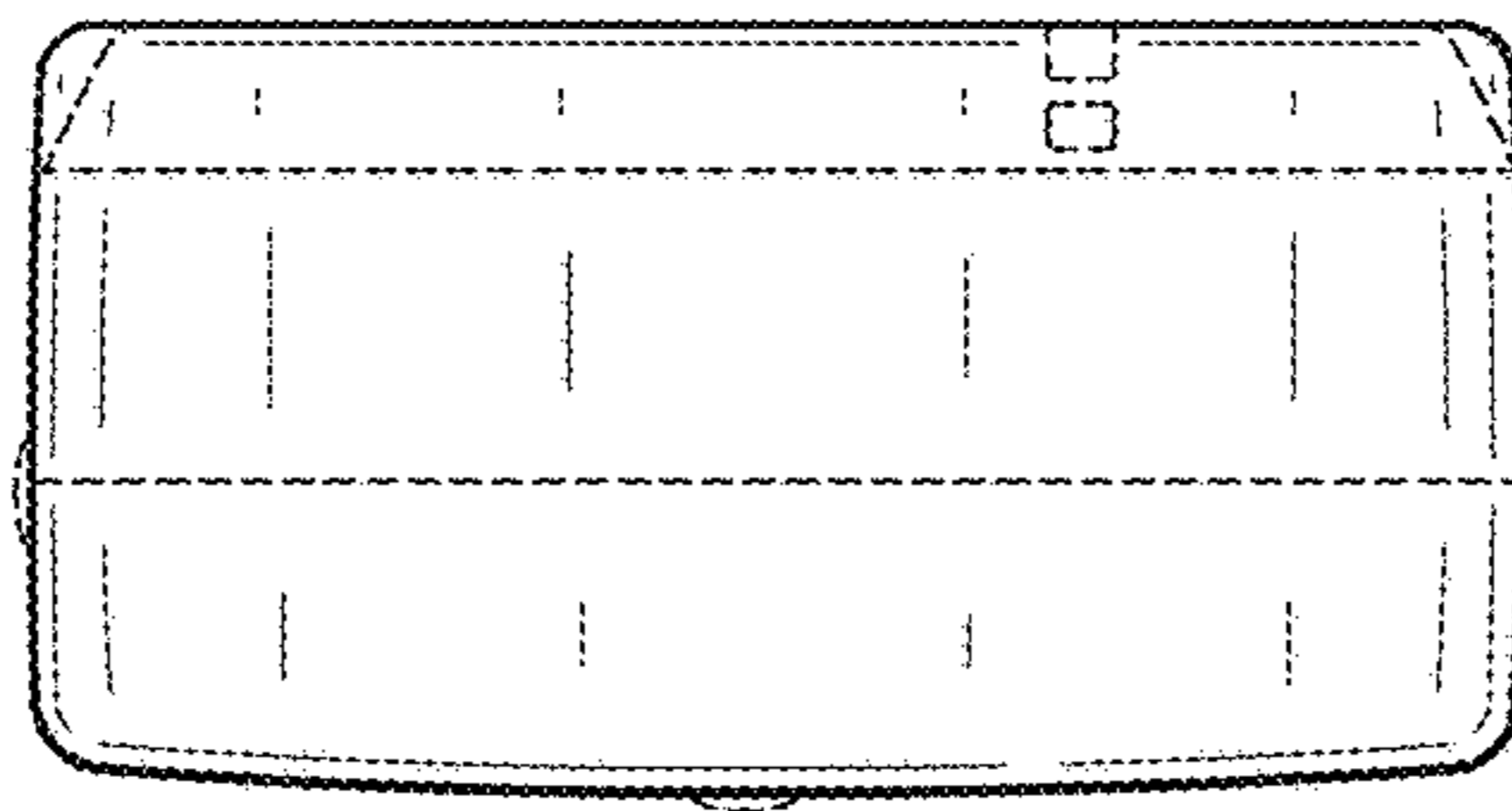


FIG. 7

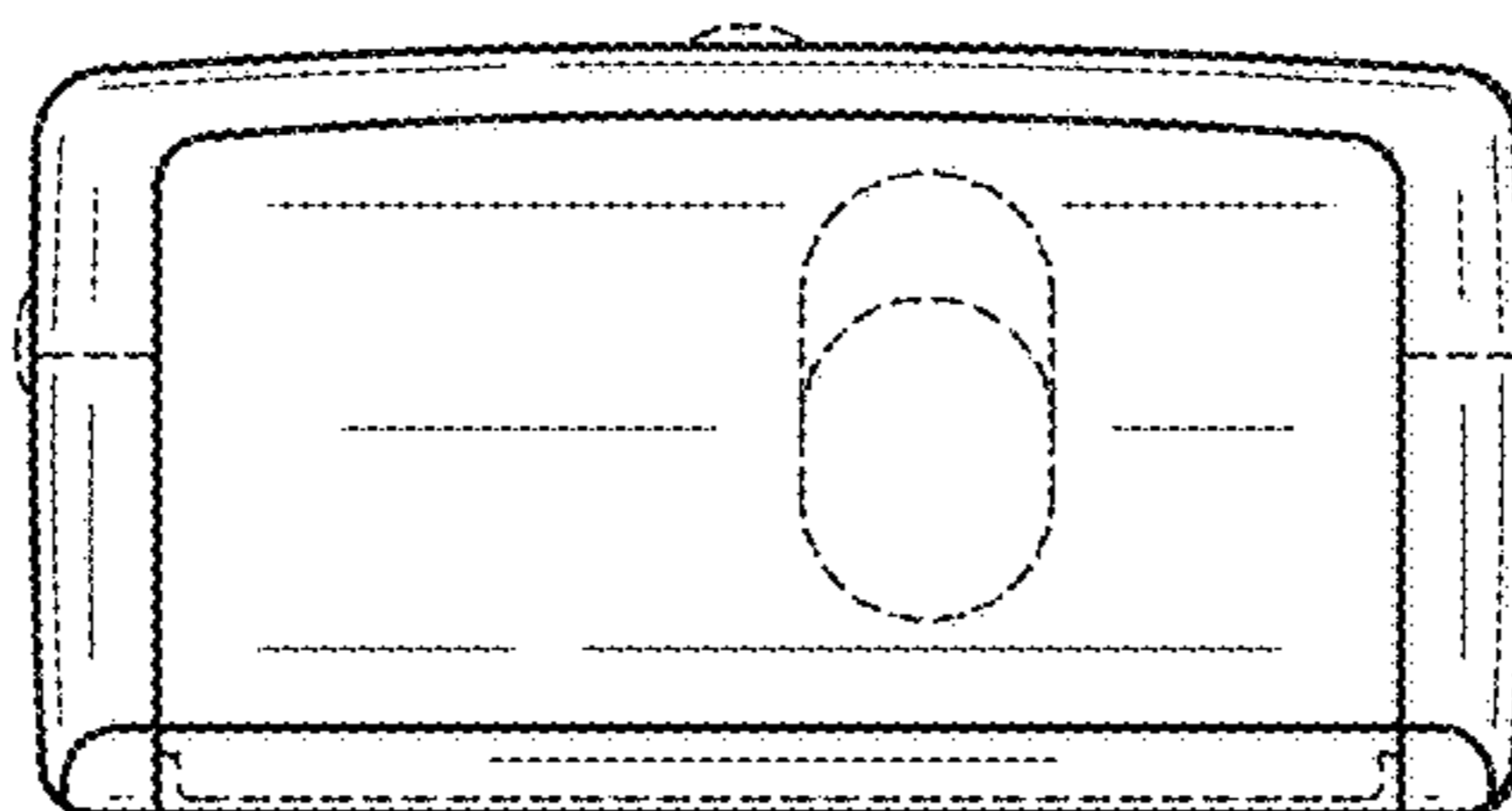


FIG. 8

