



US00D855211S

(12) **United States Design Patent**
Ziegler

(10) **Patent No.:** **US D855,211 S**

(45) **Date of Patent:** **** Jul. 30, 2019**

(54) **CARRIER FOR MULTIPLE SPECIMEN BOTTLES**

(71) Applicant: **INTEGRATED LAB SOLUTION, INC.**, Southlake, TX (US)

(72) Inventor: **Robert Ziegler**, Southlake, TX (US)

(73) Assignee: **INTEGRATED LAB SOLUTIONS, INC.**, Southlake, TX (US)

(**) Term: **15 Years**

(21) Appl. No.: **29/603,519**

(22) Filed: **May 10, 2017**

(51) **LOC (11) Cl.** **24-02**

(52) **U.S. Cl.**
USPC **D24/229**

(58) **Field of Classification Search**
USPC D24/226-232, 117, 121, 113, 112, 127,
D24/224, 216; 211/71.01, 72-74;
422/102, 63, 64, 104, 99
CPC A61J 1/12; A61J 1/00; A61J 1/065; A61J
1/067; A61M 5/008; B01L 9/06
See application file for complete search history.

(56) **References Cited**

U.S. PATENT DOCUMENTS

1,634,953	A *	7/1927	McCune	B64D 1/02 211/13.1
2,902,170	A *	9/1959	Miller	B01L 9/06 206/379
D210,720	S *	4/1968	Anthon	D24/230
3,611,403	A *	10/1971	Gilford	B01L 3/5453 235/448
D242,545	S *	11/1976	Perfect	D24/230
D249,706	S *	9/1978	Adamski	D24/230
4,178,345	A *	12/1979	Terk	B01L 3/5025 422/430
D260,428	S *	8/1981	Fekete	D24/226

D265,941	S *	8/1982	Allison	D3/308
D303,011	S *	8/1989	Henry	D24/226
D333,522	S *	2/1993	Gianino	D24/229
D351,787	S *	10/1994	Hansen	D9/418
D367,714	S *	3/1996	Pennicook	D24/223
D368,532	S *	4/1996	Jonkman	D24/227
D417,009	S *	11/1999	Boyd	D24/227
D428,497	S *	7/2000	Lapeus	D24/227
6,123,205	A *	9/2000	Dumitrescu	B01L 9/06 206/443
D479,329	S *	9/2003	Sanguinetti	D24/128
D481,133	S *	10/2003	Blouin	D24/216
D596,758	S *	7/2009	Constable	D24/230
D598,566	S *	8/2009	Allaer	D24/230

(Continued)

Primary Examiner — David G Muller

Assistant Examiner — Nathan M Johnston

(57) **CLAIM**

The ornamental design for a carrier for multiple specimen bottles, as shown and described.

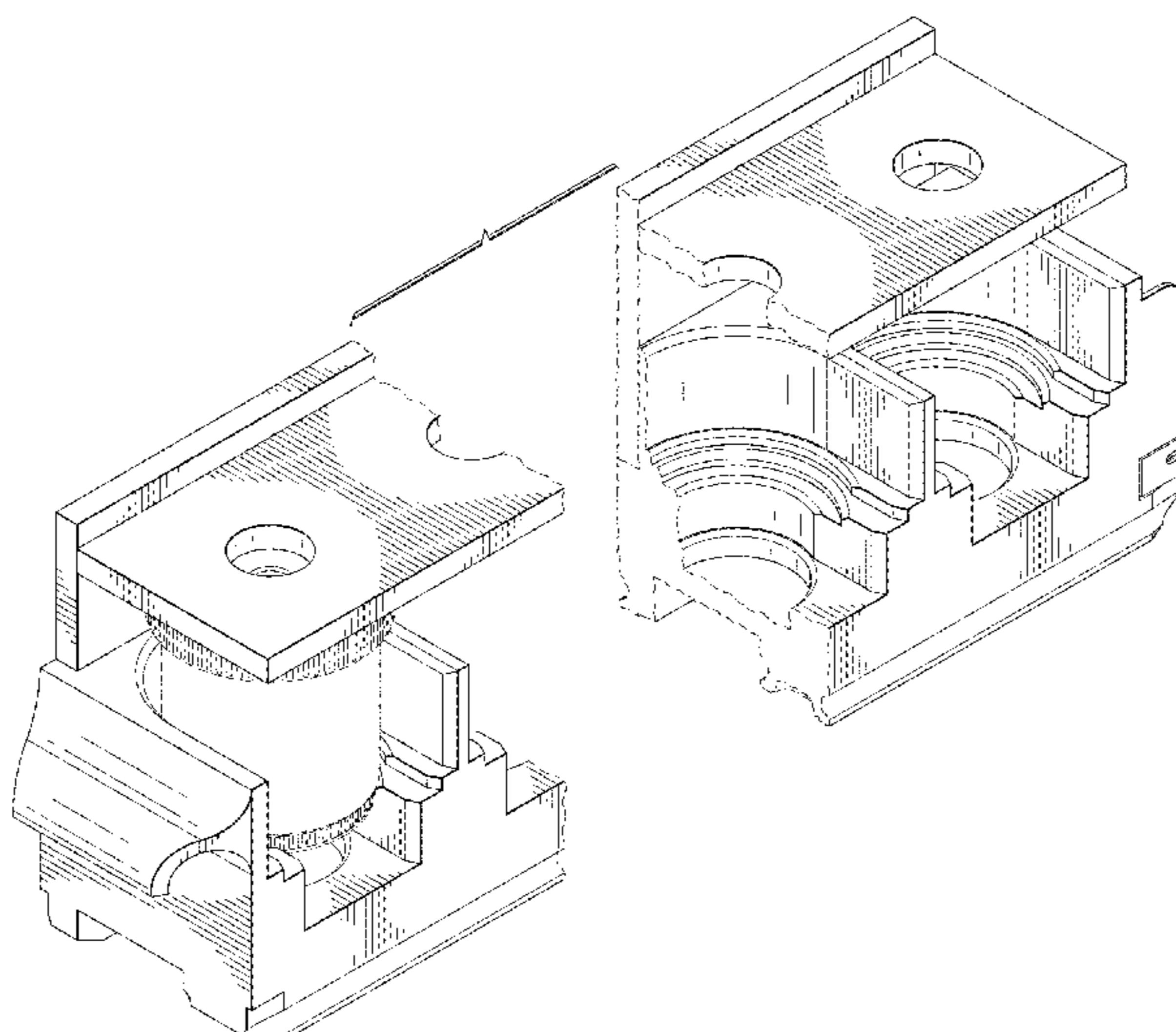
DESCRIPTION

FIG. 1 is a perspective view of a carrier for multiple specimen bottles showing my new design; FIG. 2 is a front elevation view thereof; FIG. 3 is a rear elevation view thereof; FIG. 4 is a top plan view thereof; FIG. 5 is a bottom plan view thereof; FIG. 6 is a right side elevation view thereof; FIG. 7 is a left side elevation view thereof; and, FIG. 8 is a disassembled perspective view thereof.

The carrier for multiple specimen bottles is shown with a symbolic break in its length. The appearance of any portion of the article between the break lines forms no part of the claimed design.

The broken lines within the bounds of the carrier for multiple specimen bottles represent environment and unclaimed portions of the design that form no part of the claimed design.

1 Claim, 6 Drawing Sheets



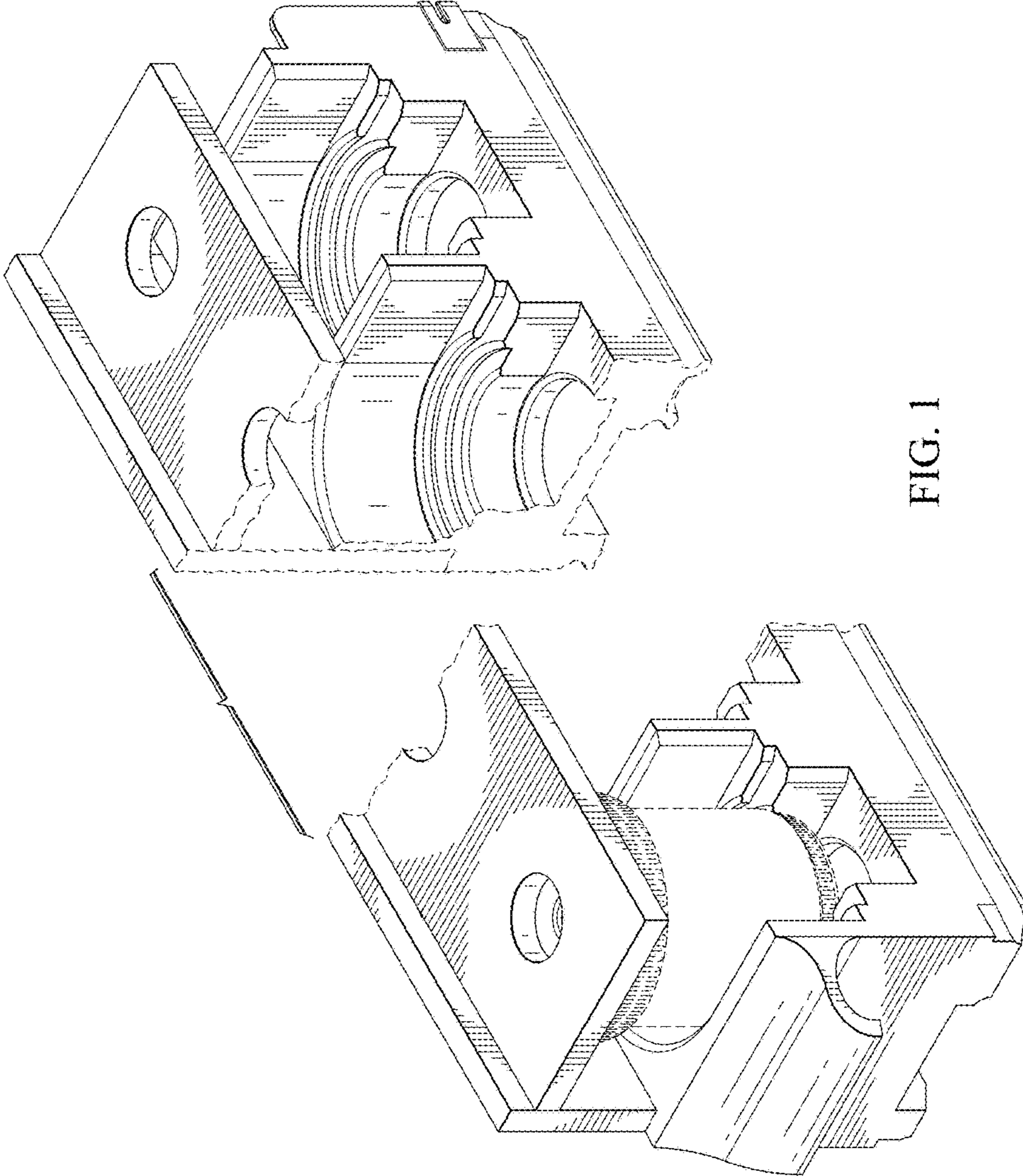


FIG. 1

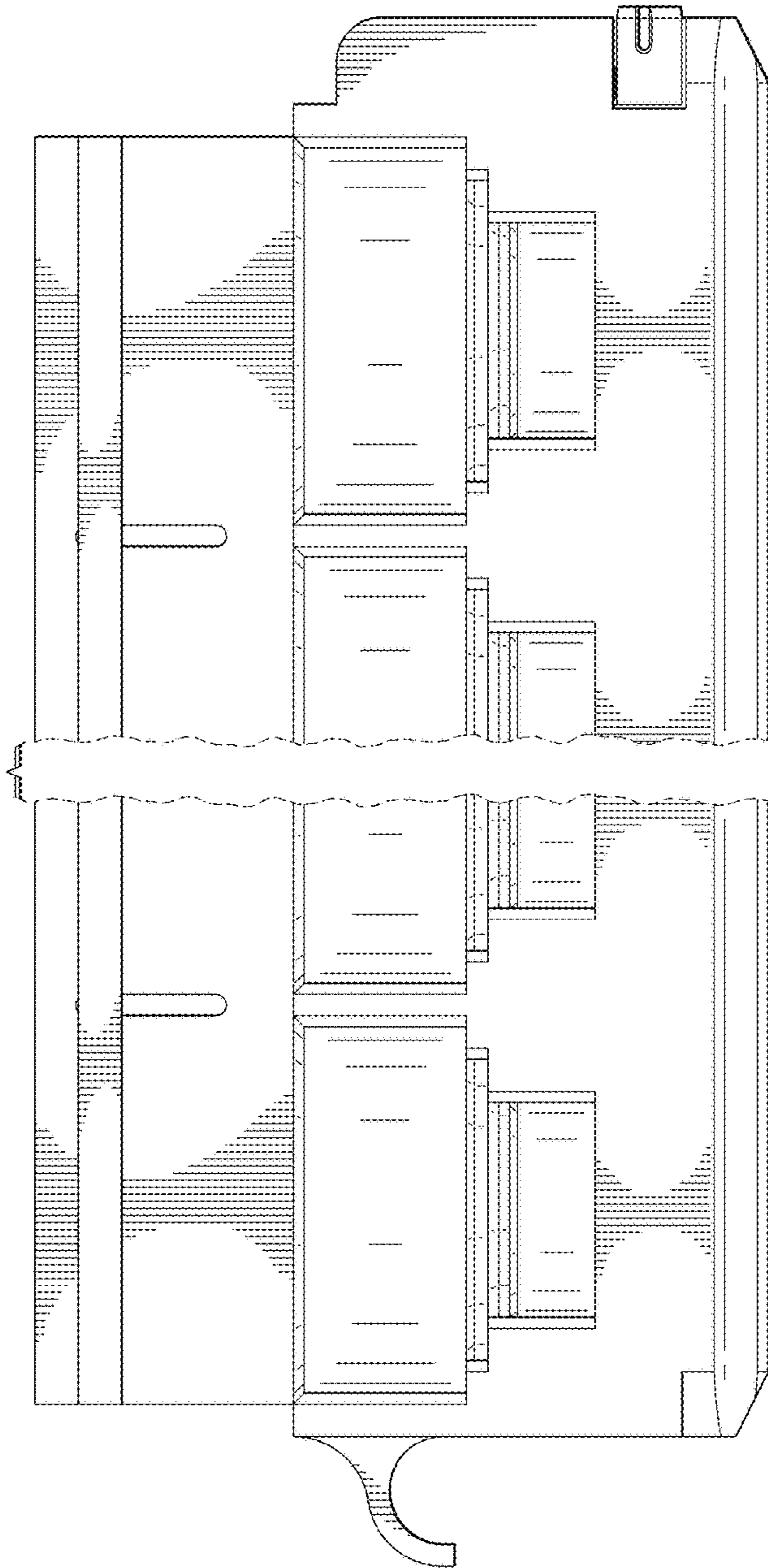


FIG. 2

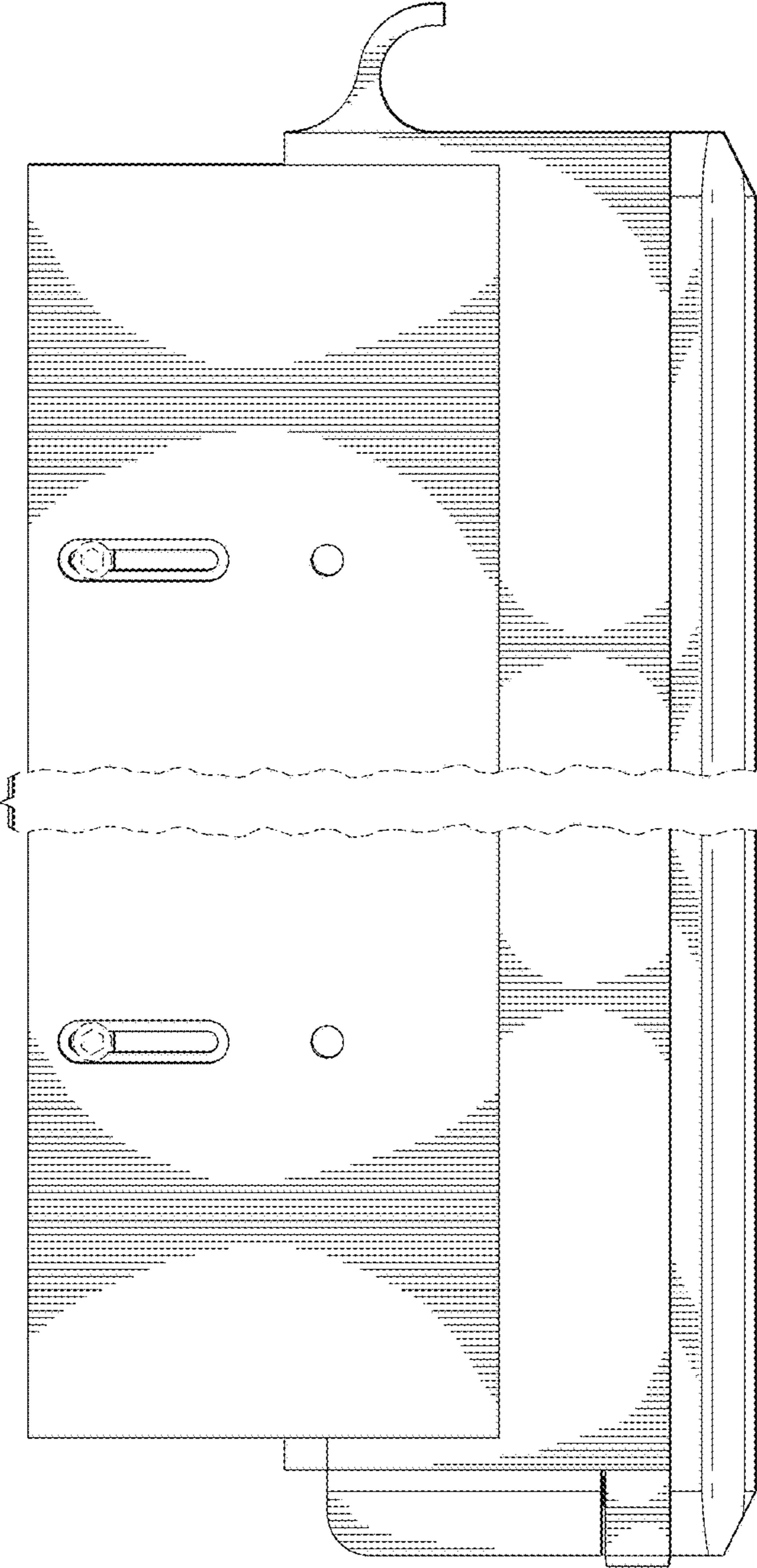


FIG. 3

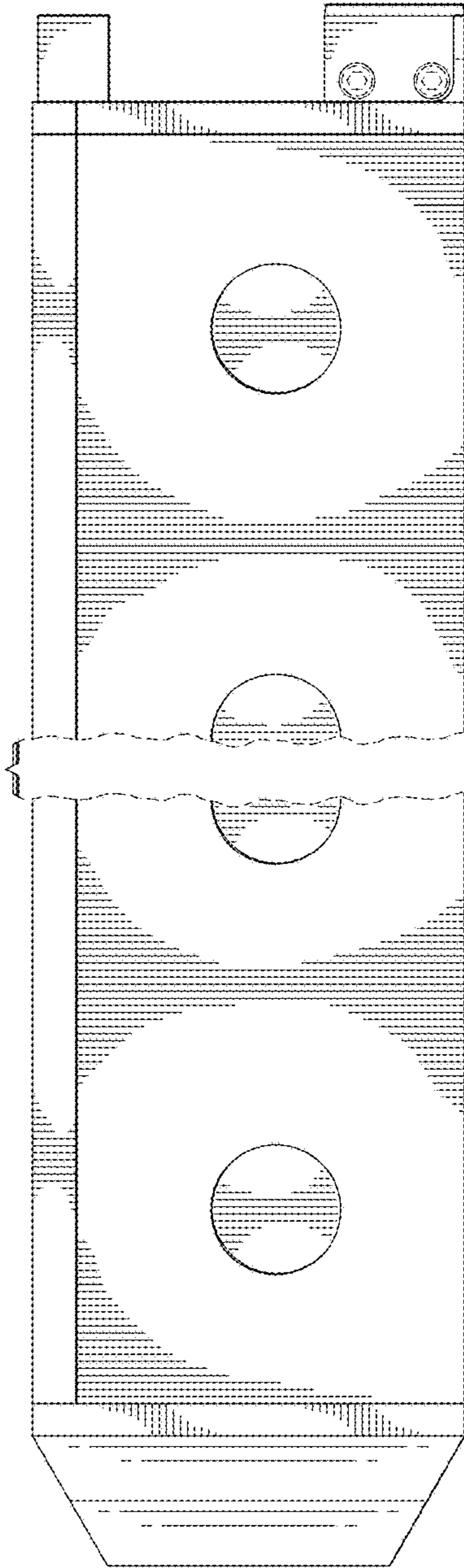


FIG. 4

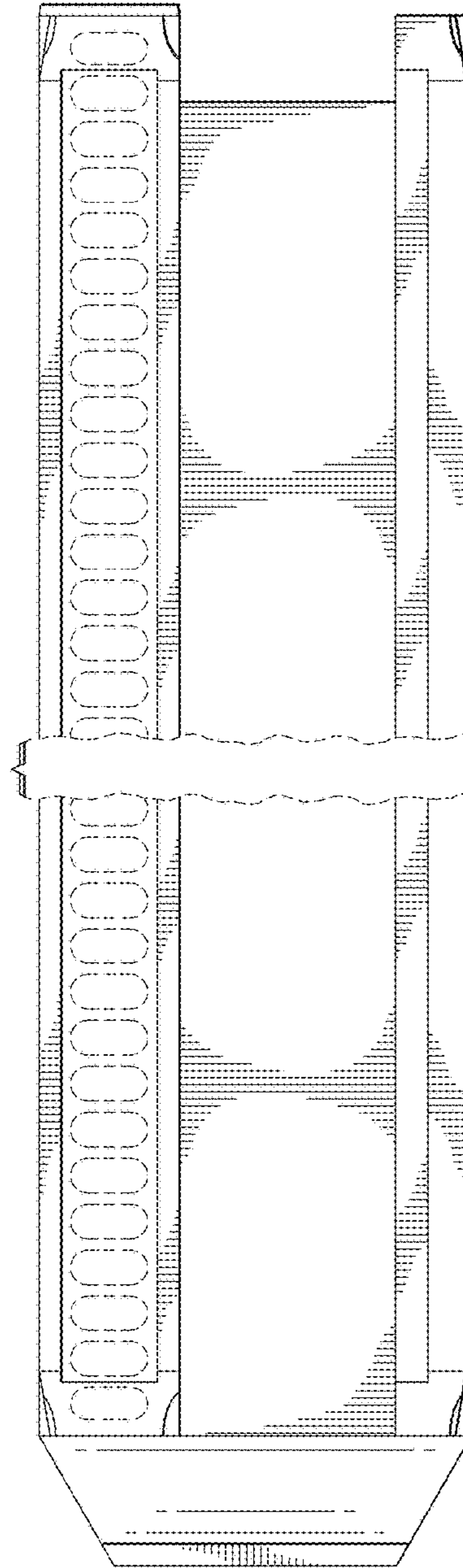


FIG. 5

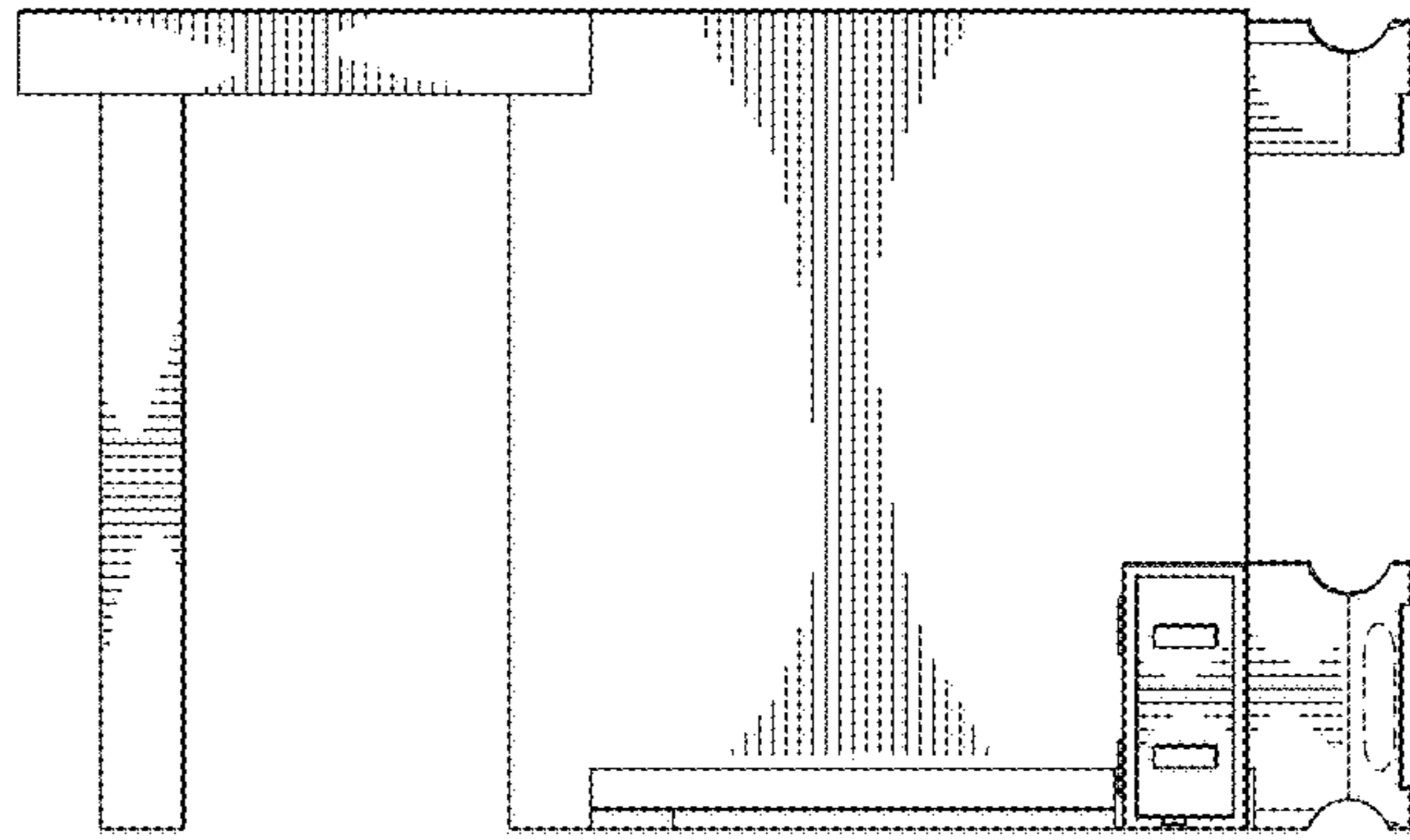


FIG. 7

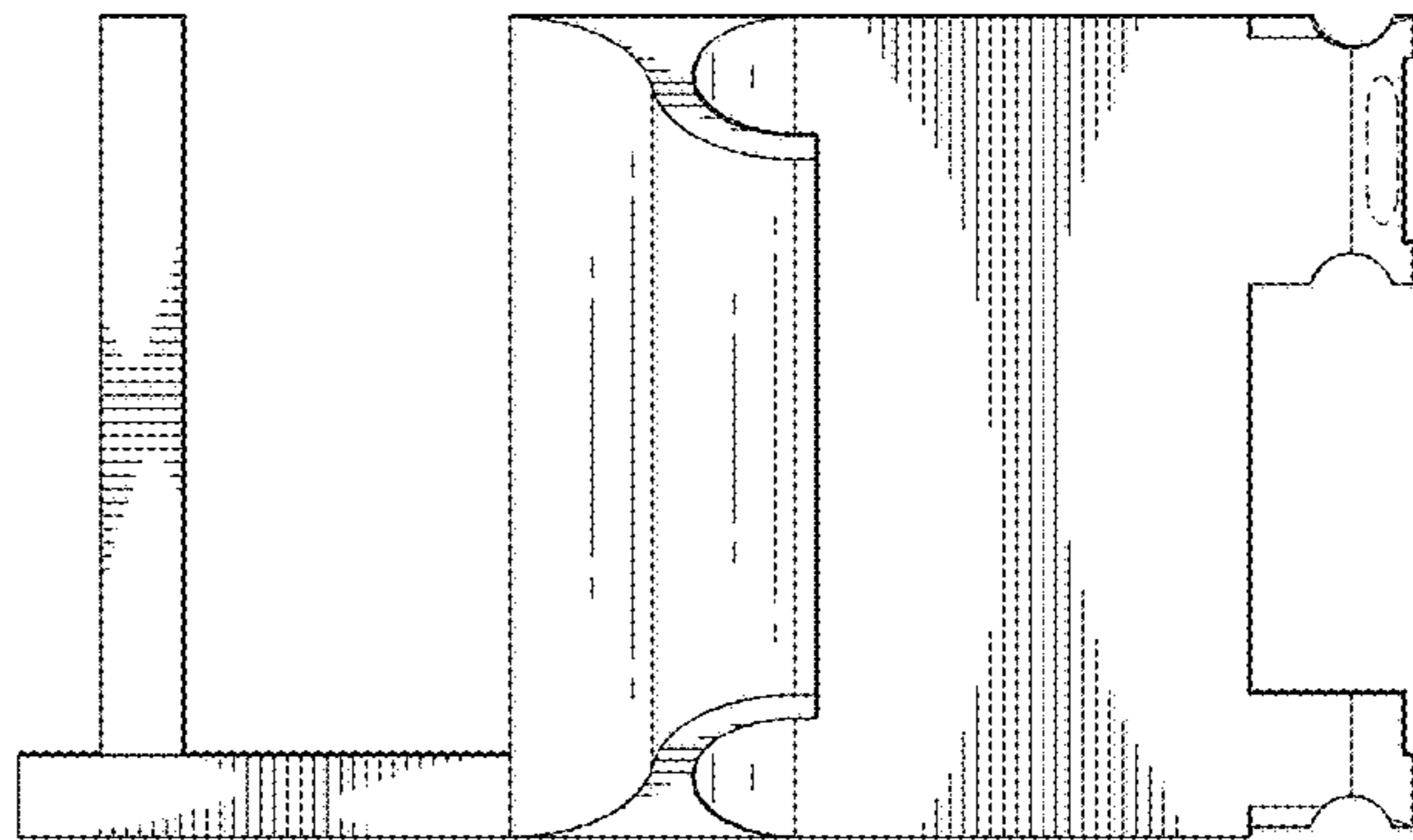


FIG. 6

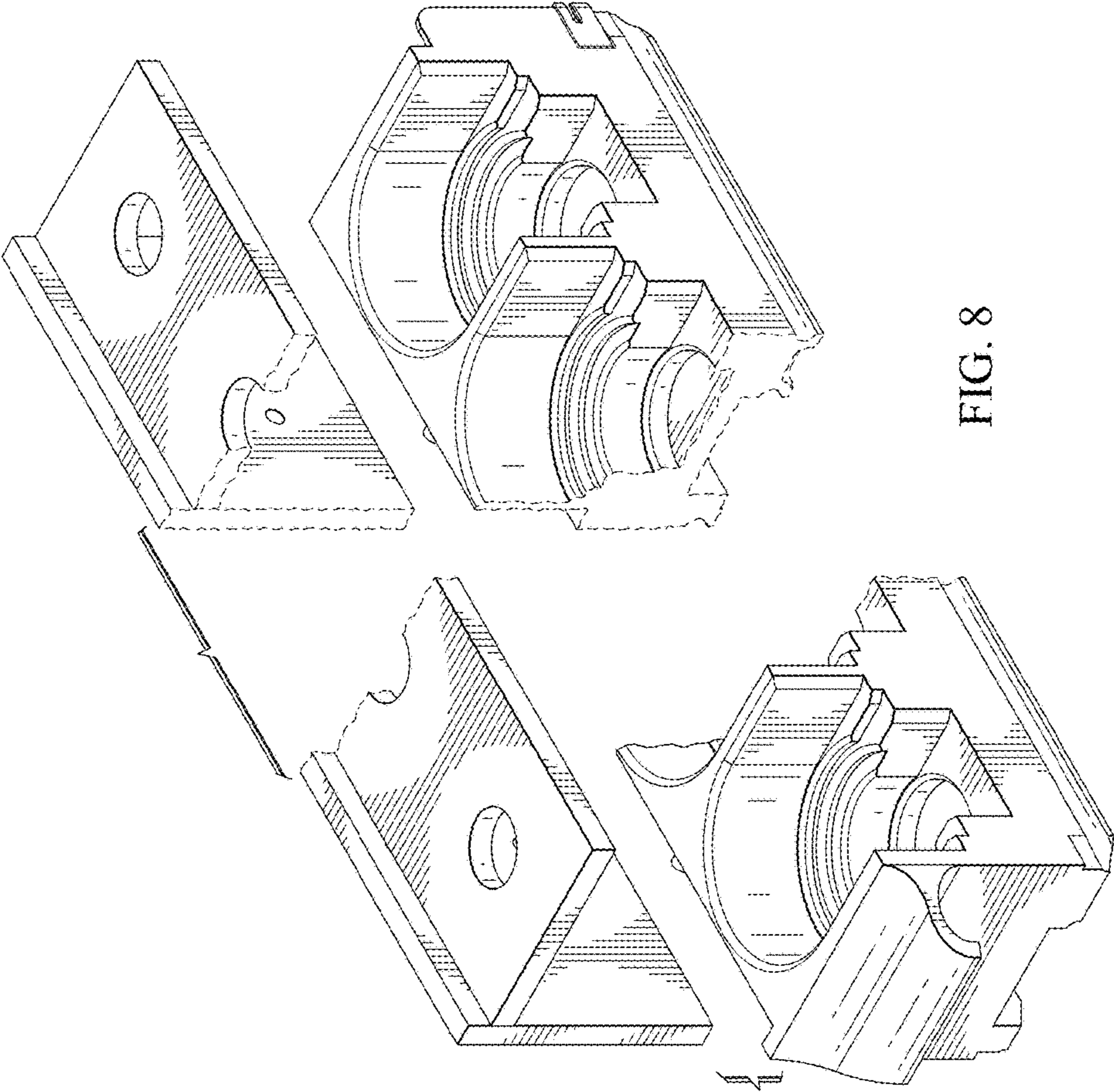


FIG. 8