



US00D855207S

(12) **United States Design Patent** (10) **Patent No.:** **US D855,207 S**  
**Ito et al.** (45) **Date of Patent:** **\*\* Jul. 30, 2019**

(54) **SUBSTRATE FOR SPECTROSCOPIC ANALYSIS**

(71) Applicant: **HAMAMATSU PHOTONICS K.K.**,  
Shizuoka (JP)

(72) Inventors: **Masashi Ito**, Hamamatsu (JP);  
**Katsumi Shibayama**, Hamamatsu (JP);  
**Kazuto Ofuji**, Hamamatsu (JP);  
**Yoshihiro Maruyama**, Hamamatsu (JP)

(\*\*) Term: **15 Years**

(21) Appl. No.: **35/504,267**

(22) Filed: **Jul. 5, 2017**

(80) **Hague Agreement Data**

Int. Filing Date: **Jul. 5, 2017**  
 Int. Reg. No.: **DM/097054**  
 Int. Reg. Date: **Jul. 5, 2017**  
 Int. Reg. Pub. Date: **Jan. 5, 2018**

(30) **Foreign Application Priority Data**

Jan. 25, 2017 (JP) ..... 2017-001197

(51) **LOC (11) Cl.** ..... **24-02**

(52) **U.S. Cl.**  
USPC ..... **D24/225**

(58) **Field of Classification Search**  
 USPC ..... D24/225, 216, 126, 189, 155; D10/81;  
 D19/26; 356/41, 246, 301, 328;  
 206/569, 362, 616, 558, 456; 422/412,  
 422/537, 420, 408, 534; 435/7.92;  
 211/74; 600/509; 250/576; 359/396;  
 400/212  
 CPC ..... A61B 10/0045; A61B 5/0404; A47J  
 27/21158; A61M 5/3205; G01N 21/658;  
 G01N 1/30; G01N 21/03; G01N  
 33/54366; B65D 85/48; B01L 3/5085;  
 B01L 3/502738; B01L 9/06; G01J 3/02;  
 B41J 32/00; C12Q 1/16

See application file for complete search history.

(56) **References Cited**

U.S. PATENT DOCUMENTS

3,856,656 A \* 12/1974 Brink ..... G01N 27/447  
204/616

4,227,810 A \* 10/1980 Sandrock ..... G01N 21/03  
250/576

4,294,931 A \* 10/1981 Levin ..... C12Q 1/16  
206/362

D273,898 S \* 5/1984 Valencia ..... D24/225

D290,042 S \* 5/1987 Ford ..... D24/225

4,761,381 A \* 8/1988 Blatt ..... B01L 3/502738  
356/246

(Continued)

Primary Examiner — Rhea Shields

(57) **CLAIM**

The ornamental design for a substrate for spectroscopic analysis, as shown and described.

**DESCRIPTION**

1. Substrate for spectroscopic analysis

1.1 : Perspective

1.2 : Front

1.3 : Back

1.4 : Top

1.5 : Bottom

1.6 : Left

1.7 : Right

1.8 is a sectional view taken along the vertical center of 1.2;

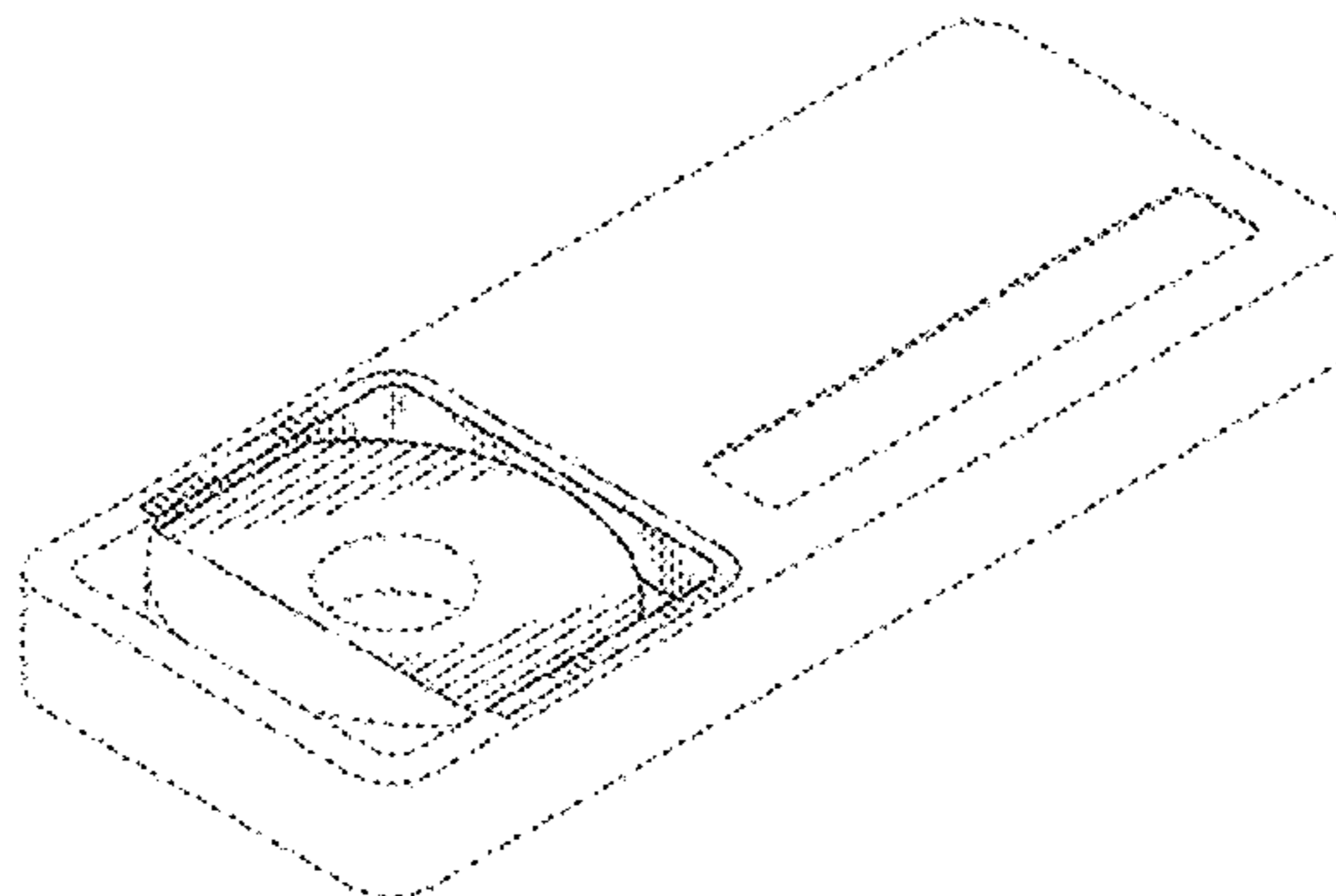
1.9 is a sectional view taken along the vertical lower portion of 1.2;

1.10 : Perspective view without the cover part

1.11 : Reference view showing the state in use

In the reproductions, the broken lines are for the purpose of illustrating environment only and form no part of the claimed design. The dot-dash broken lines are for the purpose of showing the boundaries of the claim and form no part of the claimed design.

**1 Claim, 11 Drawing Sheets**



(56)

References Cited

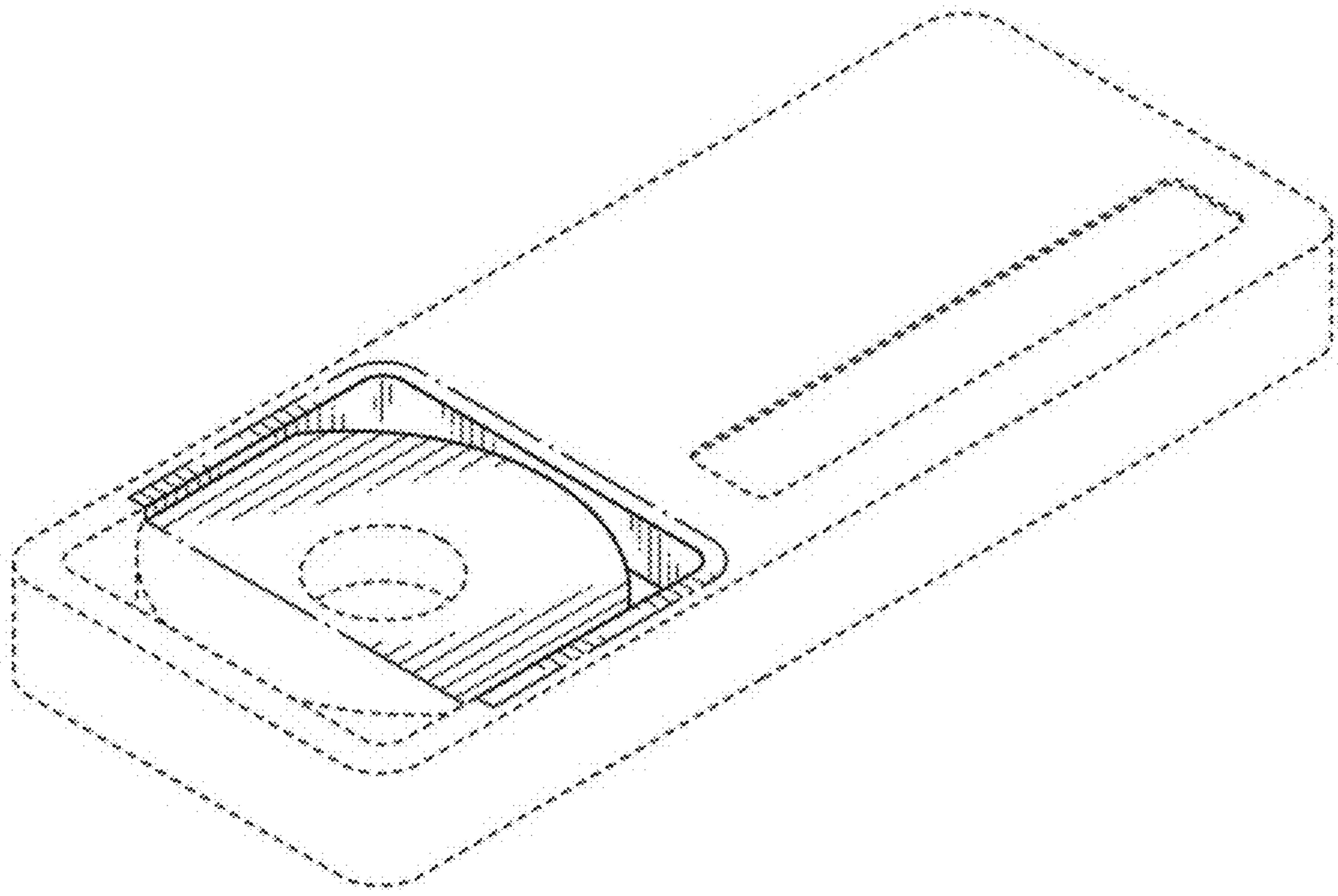
U.S. PATENT DOCUMENTS

4,777,964 A \* 10/1988 Briggs ..... A61B 5/150022  
206/569  
4,819,804 A \* 4/1989 Levy ..... B65D 85/48  
206/456  
4,857,453 A \* 8/1989 Ullman ..... G01N 33/54366  
435/7.92  
4,943,522 A \* 7/1990 Eisinger ..... G01N 33/54386  
422/537  
4,981,786 A \* 1/1991 Dafforn ..... G01N 33/5302  
422/412  
5,002,062 A \* 3/1991 Suzuki ..... A61B 5/0404  
600/509  
5,075,078 A \* 12/1991 Osikowicz ..... G01N 33/54366  
422/420  
5,217,012 A \* 6/1993 Young ..... A61B 5/02427  
356/41  
5,451,112 A \* 9/1995 Ito ..... B41J 32/00  
400/212  
5,484,572 A \* 1/1996 Katakura ..... A61B 10/0045  
422/534  
5,484,731 A \* 1/1996 Stevens ..... B01L 3/5085  
206/558  
5,525,304 A \* 6/1996 Matsson ..... B01L 9/06  
211/74  
D383,215 S \* 9/1997 Levy ..... D19/26  
5,812,312 A \* 9/1998 Lorincz ..... G01N 1/30  
359/396  
D418,228 S \* 12/1999 Fisch ..... D24/225  
D431,300 S \* 9/2000 Fisch ..... D24/225

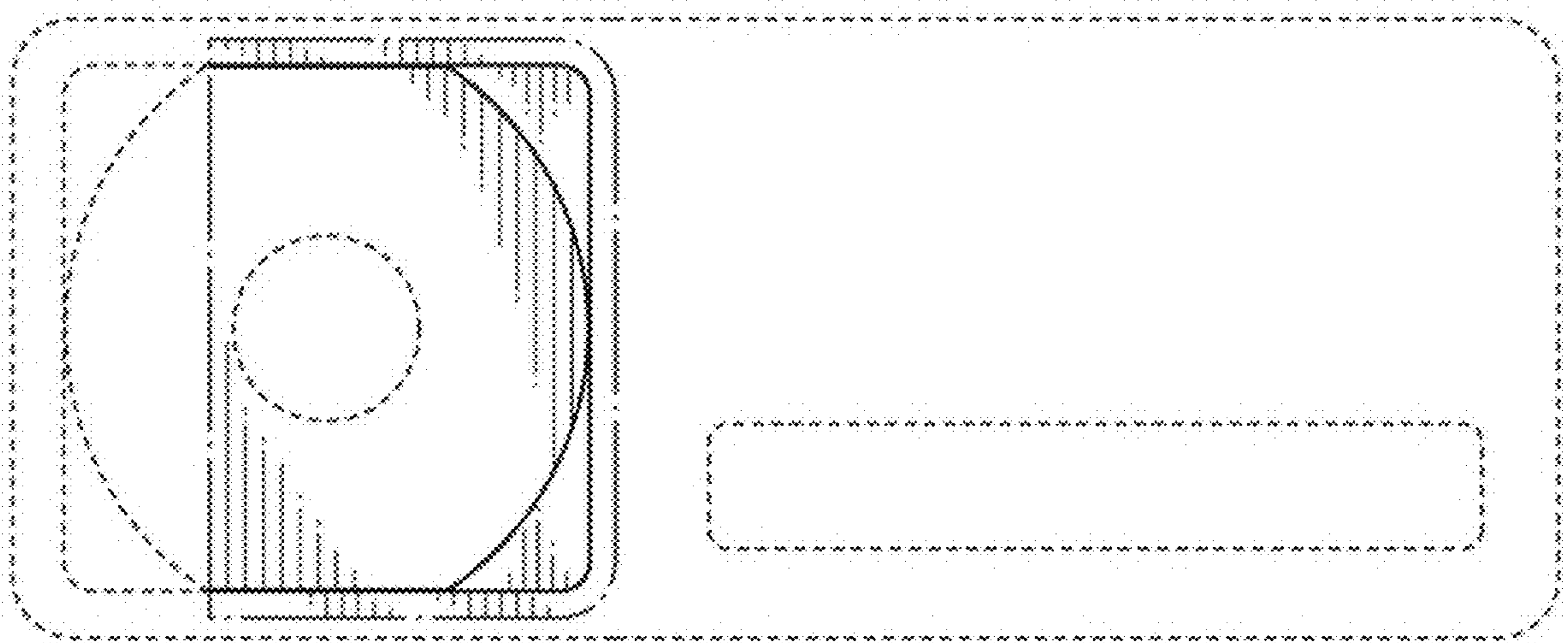
6,372,514 B1 \* 4/2002 Lee ..... G01N 33/54366  
422/408  
D500,142 S \* 12/2004 Crisanti ..... D24/216  
D530,826 S \* 10/2006 Rich ..... D24/225  
D531,321 S \* 10/2006 Godfrey ..... D24/225  
D569,990 S \* 5/2008 Fisch ..... D24/225  
D631,166 S \* 1/2011 Leffew ..... D24/189  
D692,578 S \* 10/2013 Kikuhara ..... D24/216  
D733,911 S \* 7/2015 Ito ..... D24/225  
D733,912 S \* 7/2015 Ito ..... D24/225  
D733,913 S \* 7/2015 Ito ..... D24/225  
D735,878 S \* 8/2015 Chang ..... D24/216  
D739,954 S \* 9/2015 Ito ..... D24/225  
D740,439 S \* 10/2015 Ito ..... D24/225  
D740,440 S \* 10/2015 Ito ..... D24/225  
D750,799 S \* 3/2016 Ito ..... D24/225  
D750,800 S \* 3/2016 Ito ..... D24/225  
D754,871 S \* 4/2016 Morrell-Falvey ..... D24/225  
D762,874 S \* 8/2016 Ito ..... D24/225  
D772,424 S \* 11/2016 Kram ..... D24/216  
D774,189 S \* 12/2016 Wolfe ..... D24/126  
D800,912 S \* 10/2017 Uzri ..... D24/216  
D812,502 S \* 3/2018 Yokino ..... D10/81  
D819,209 S \* 5/2018 DaCosta ..... D24/155  
D825,360 S \* 8/2018 Ito ..... D10/81  
D829,117 S \* 9/2018 Hirose ..... D10/81  
D829,582 S \* 10/2018 Hirose ..... D10/81  
2011/0141469 A1 \* 6/2011 Shibayama ..... G01J 3/02  
356/328  
2016/0061736 A1 \* 3/2016 Ito ..... G01N 21/658  
356/301  
2018/0136134 A1 \* 5/2018 Shibayama ..... G01N 21/658

\* cited by examiner

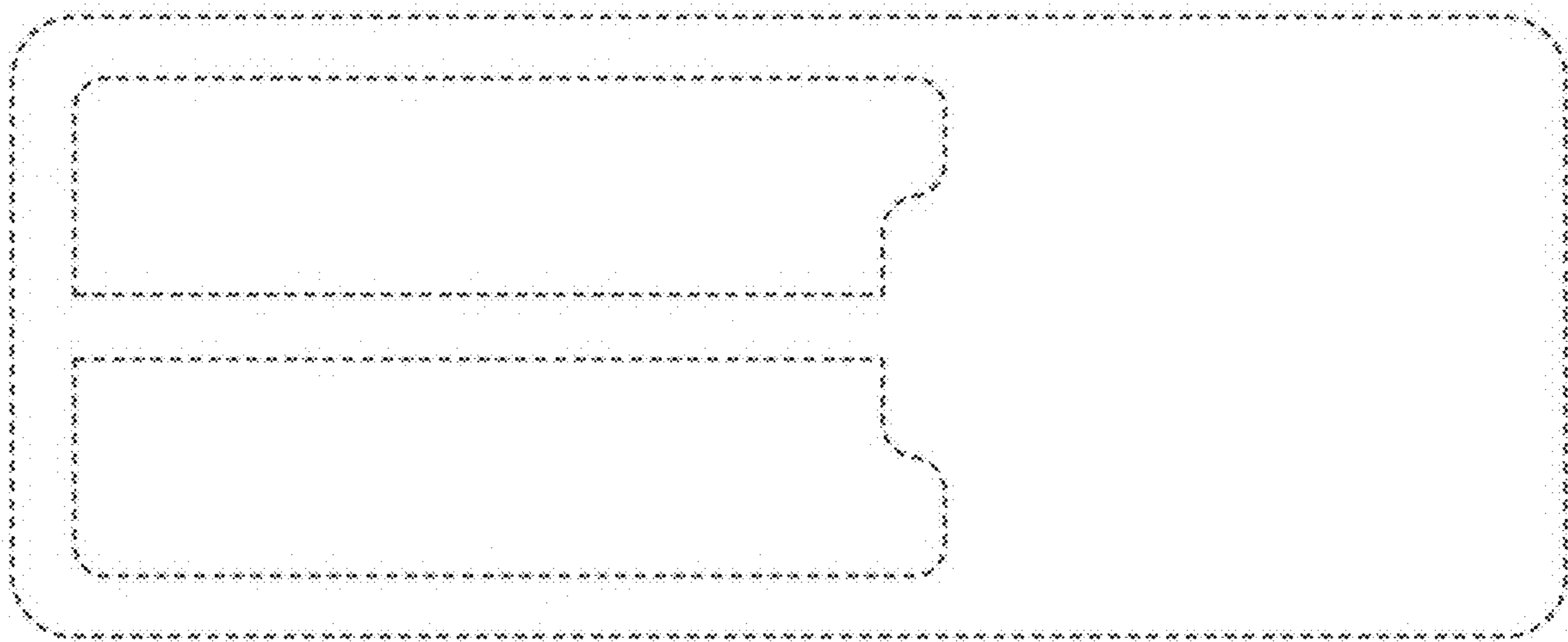
1.1



1.2



1.3



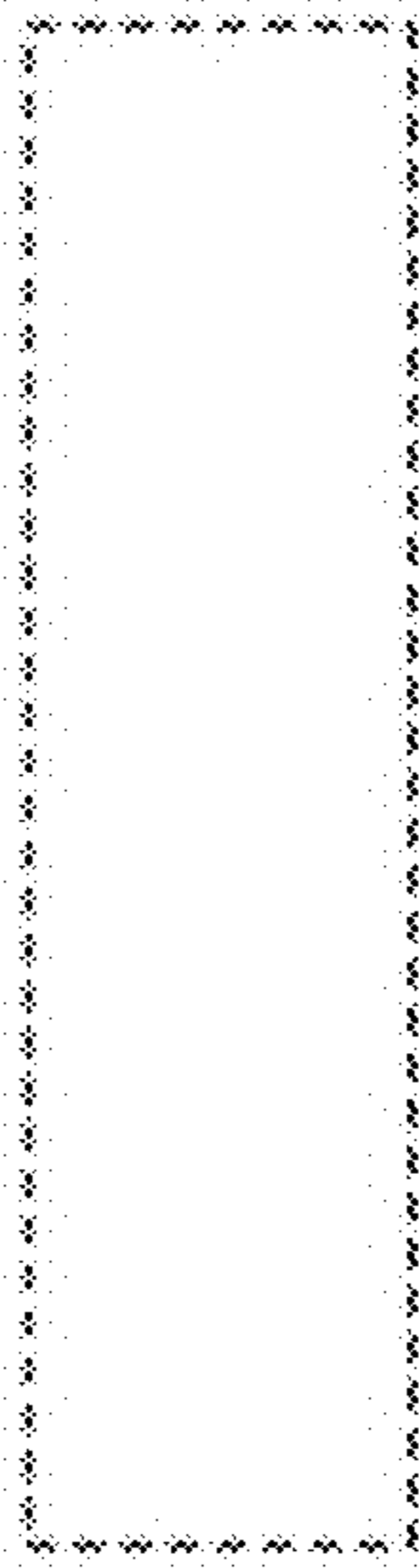
1.4



**1.5**

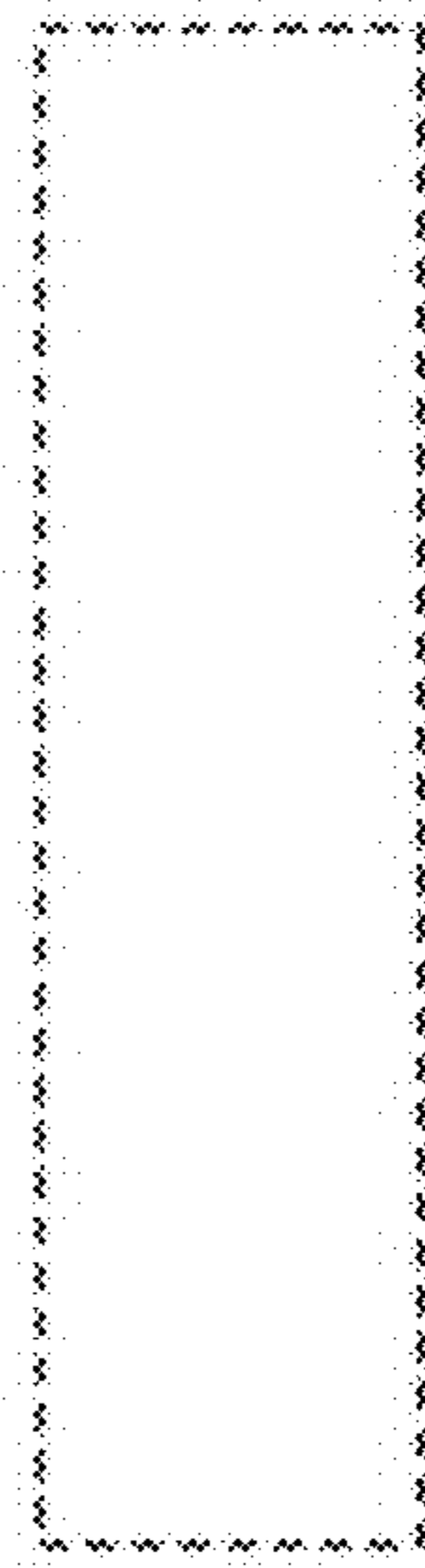


**1.6**

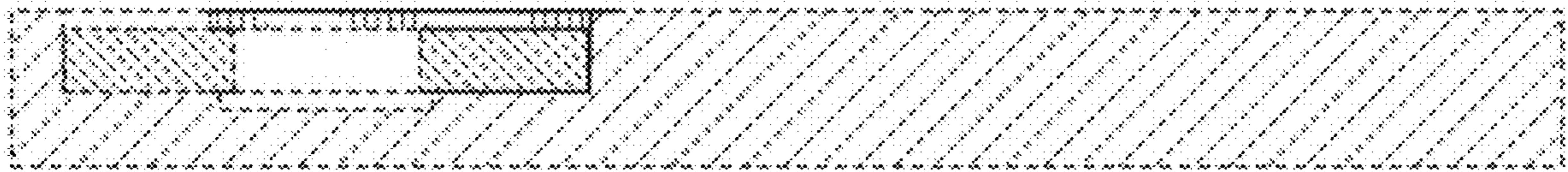




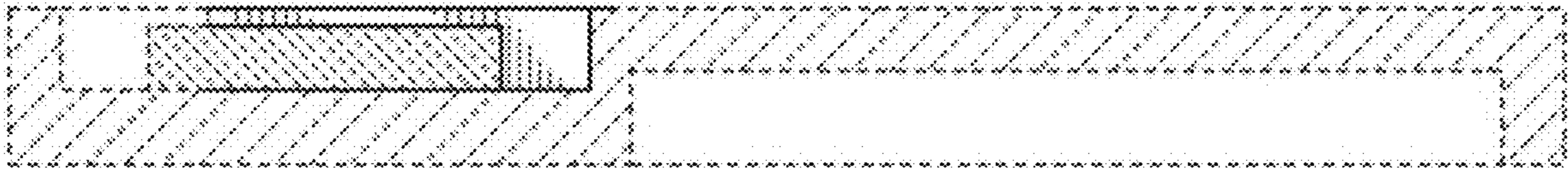
1.7



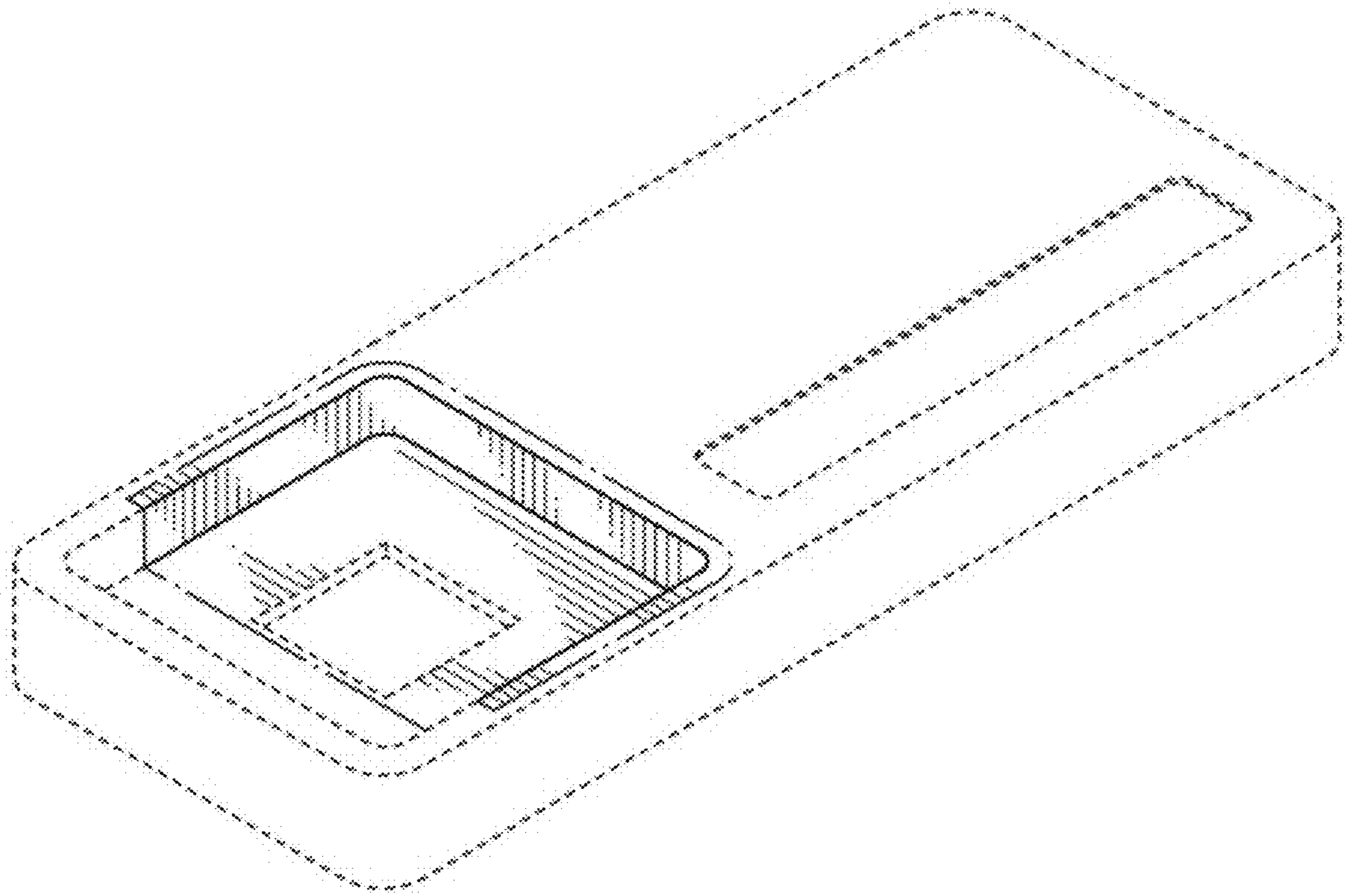
1.8



1.9



1.10



**1.11**

