



US00D855204S

(12) **United States Design Patent** (10) **Patent No.:** **US D855,204 S**
Stamm et al. (45) **Date of Patent:** **** Jul. 30, 2019**

- (54) **DUAL TEST TUBE** 4,472,357 A * 9/1984 Levy B01L 3/5453
206/459.5
- (71) Applicant: **bioMerieux, Inc.**, Durham, NC (US) D311,061 S * 10/1990 Vrana D24/232
D312,692 S * 12/1990 Bradley D24/230
- (72) Inventors: **Perry D. Stamm**, Dardenne Prairie, MO (US); **Patrick Alan Yerbic**, St. Louis, MO (US); **Gregory R. Maes**, Fenton, MO (US); **Jack R. Hoffmann, Jr.**, St. Louis, MO (US); **Sean Gregory Furman**, St. Charles, MO (US); **Leonard H. Schleicher, Jr.**, St. Charles, MO (US); **Christopher George Kocher**, St. Louis, MO (US); **Brian Peterson**, Wentzville, MO (US) D325,638 S * 4/1992 Sloat D24/224
D332,145 S * 12/1992 Wada D24/224
D356,232 S * 3/1995 Armstrong D24/226
5,398,827 A * 3/1995 Armstrong B65D 1/30
215/6
D433,284 S * 11/2000 Zeller D7/601
D551,439 S * 9/2007 Smetham D3/203.1
D822,898 S * 7/2018 Ruiz D27/191
2007/0185410 A1 * 8/2007 Fernandes A61B 10/0038
600/562

(Continued)

(73) Assignee: **BIOMERIEUX, INC.**, Durham, NC (US)

Primary Examiner — Anhdao Doan
Assistant Examiner — Mary Shannon Malley
(74) *Attorney, Agent, or Firm* — Alston & Bird LLP

(**) Term: **15 Years**

(21) Appl. No.: **29/601,269**

(57) **CLAIM**

The ornamental design for a dual test tube, as shown and described.

(22) Filed: **Apr. 20, 2017**

(51) **LOC (11) Cl.** **24-01**

(52) **U.S. Cl.**
USPC **D24/224**

DESCRIPTION

(58) **Field of Classification Search**
USPC D24/169, 216, 222–227, 229–232;
D3/203.1, 203.2; D10/78–81; D9/503,
D9/504, 516, 517, 520, 521, 529, 547,
D9/549
CPC .. B01L 3/52; B01L 3/523; B01L 3/545; B01L
3/5453; B01L 3/56; B01L 3/5021; B01L
3/5025; B01L 3/5082; G01N 33/491;
G01N 33/5005
See application file for complete search history.

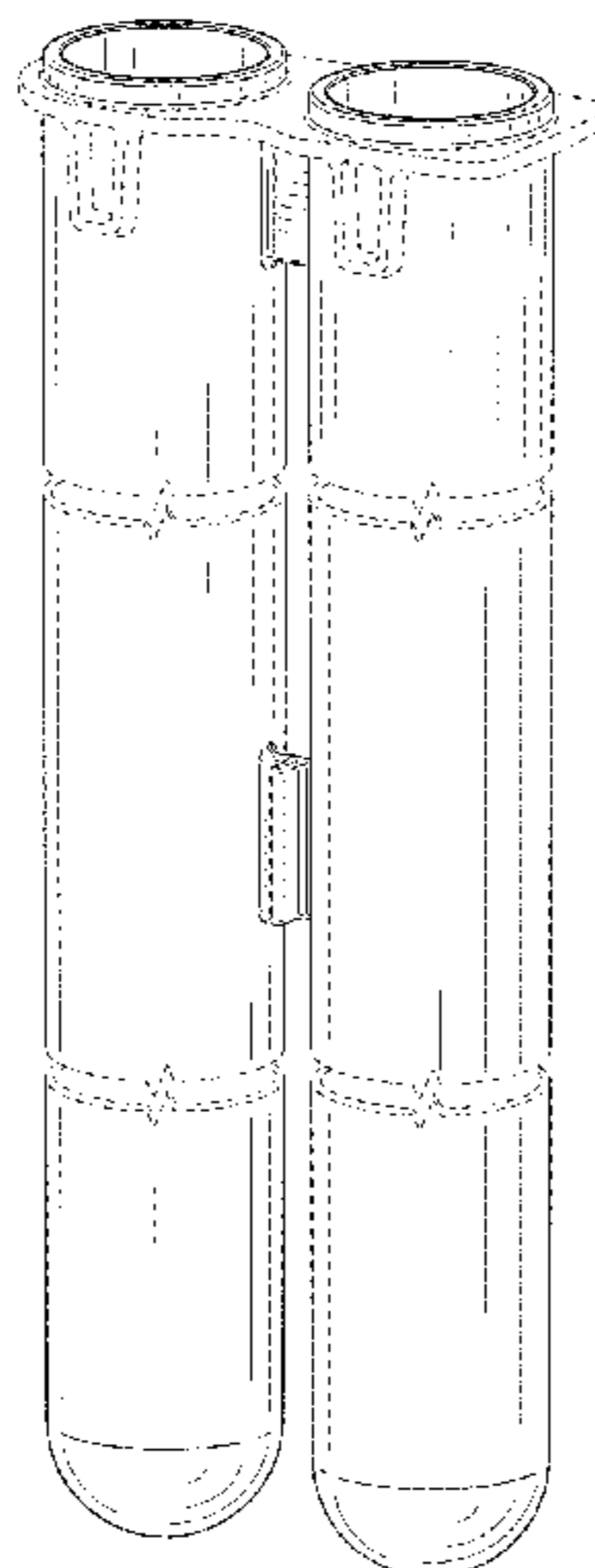
FIG. 1 is a perspective view of a dual test tube according to our new design;
FIG. 2 is a front elevation view of thereof;
FIG. 3 is a rear elevation view thereof;
FIG. 4 is a left side elevation view thereof;
FIG. 5 is a right side elevation view thereof;
FIG. 6 is a top elevation view thereof; and,
FIG. 7 is a bottom plan view thereof.
The dash-dash broken lines showing in the views illustrate unclaimed portions of the dual test tube and form no part of the claimed design. The dual test tube is shown with symbolic breaks in length. The appearance of any portion of the article between the break lines forms no part of the claimed design.

(56) **References Cited**

U.S. PATENT DOCUMENTS

- D147,120 S * 7/1947 Dietrich 206/256
- 4,456,580 A * 6/1984 Yamada B01L 3/04
177/50

1 Claim, 5 Drawing Sheets



(56)

References Cited

U.S. PATENT DOCUMENTS

2016/0271605 A1* 9/2016 Motadel B01L 3/502
2017/0335373 A1* 11/2017 Buse G01N 35/04

* cited by examiner

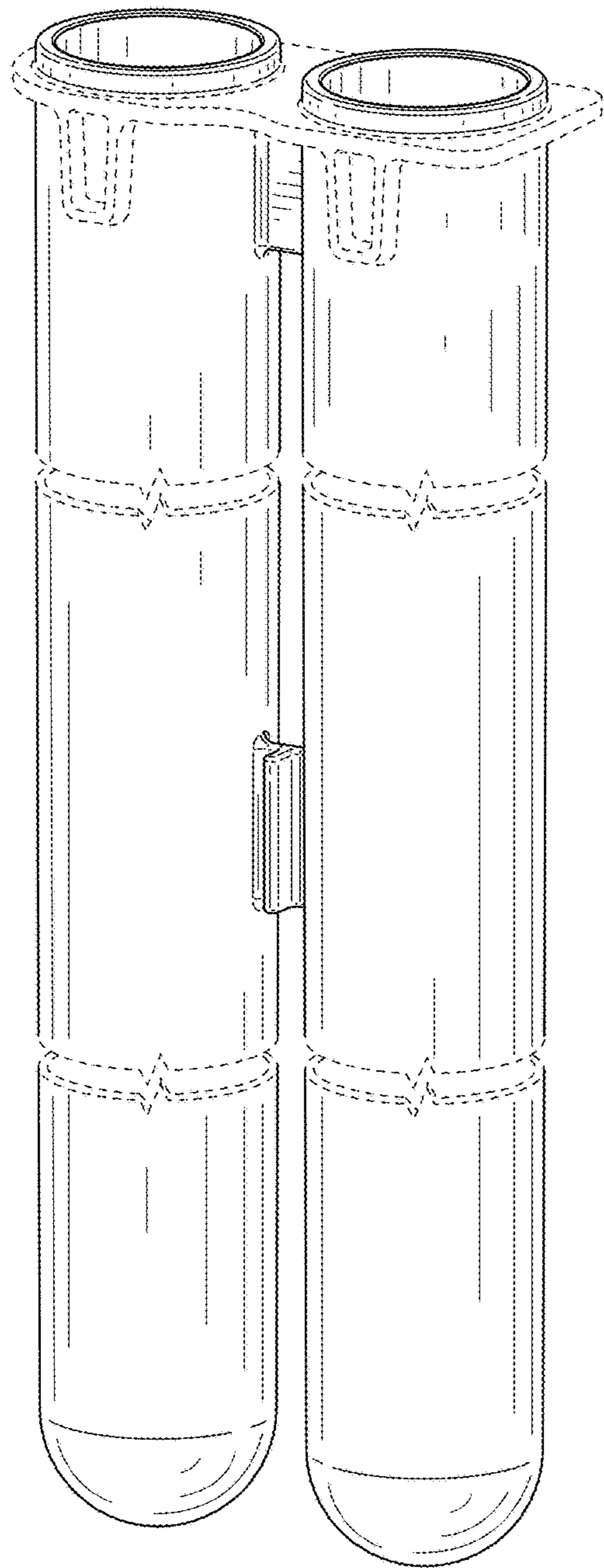


FIG. 1

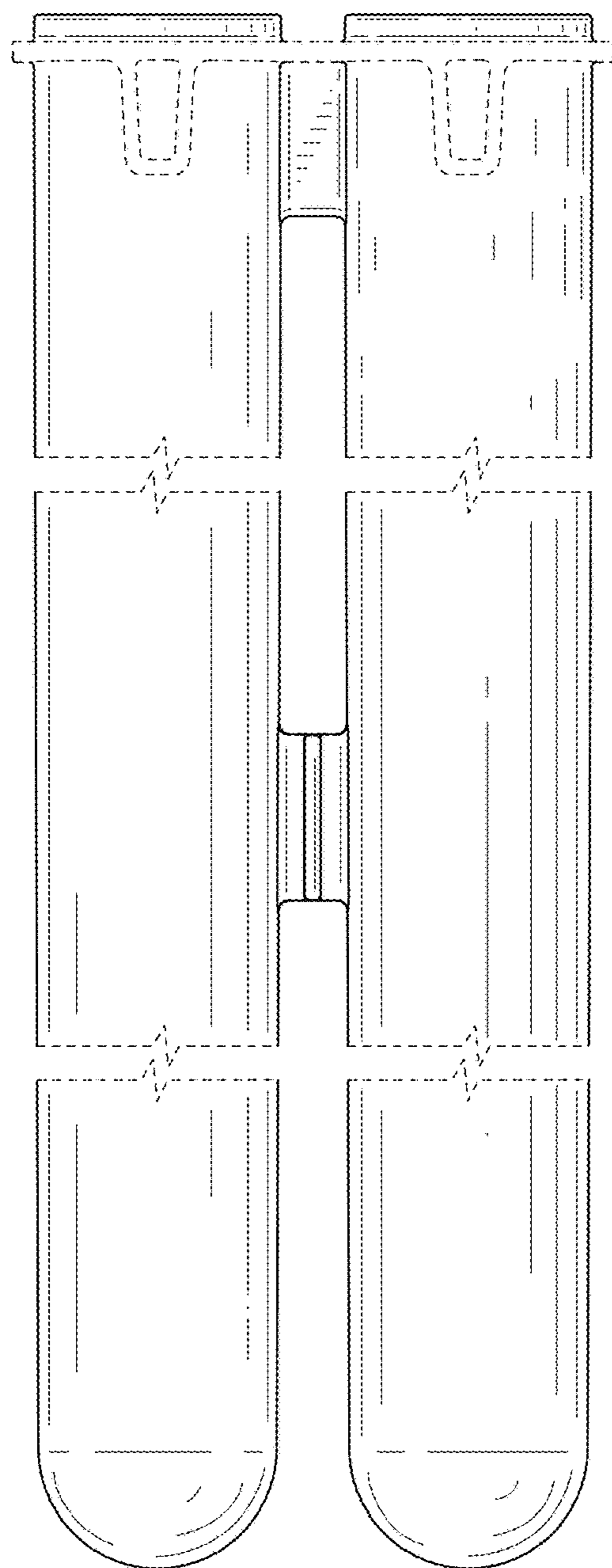


FIG. 2

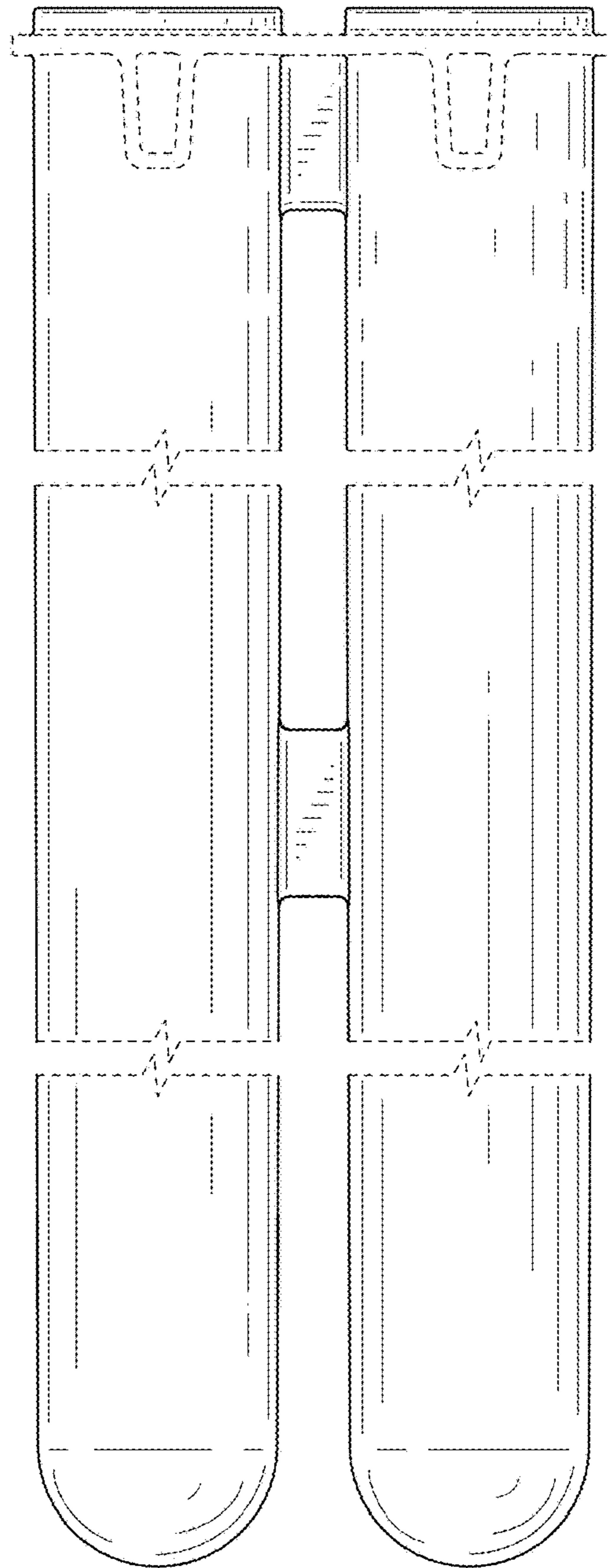


FIG. 3

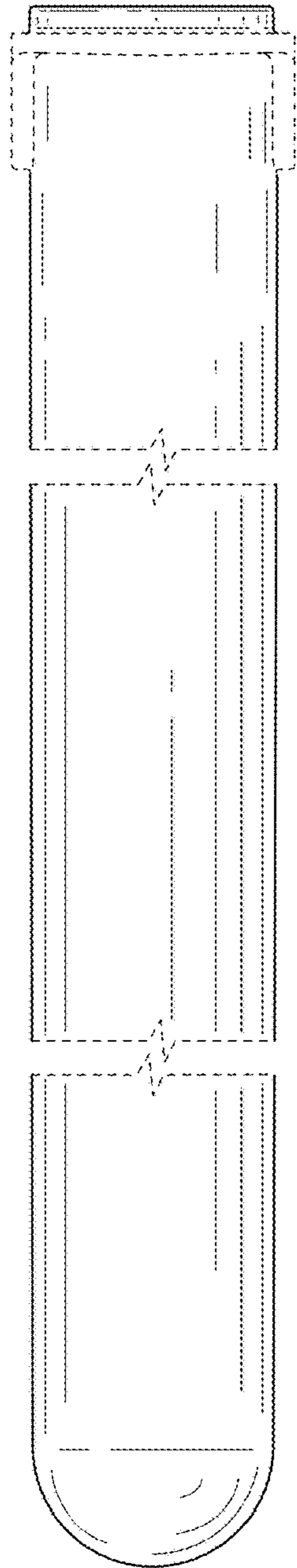


FIG. 4

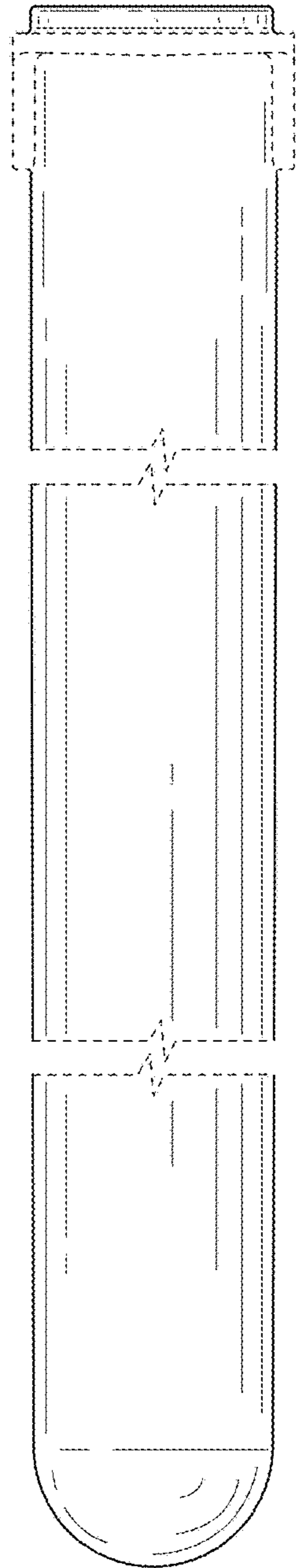


FIG. 5

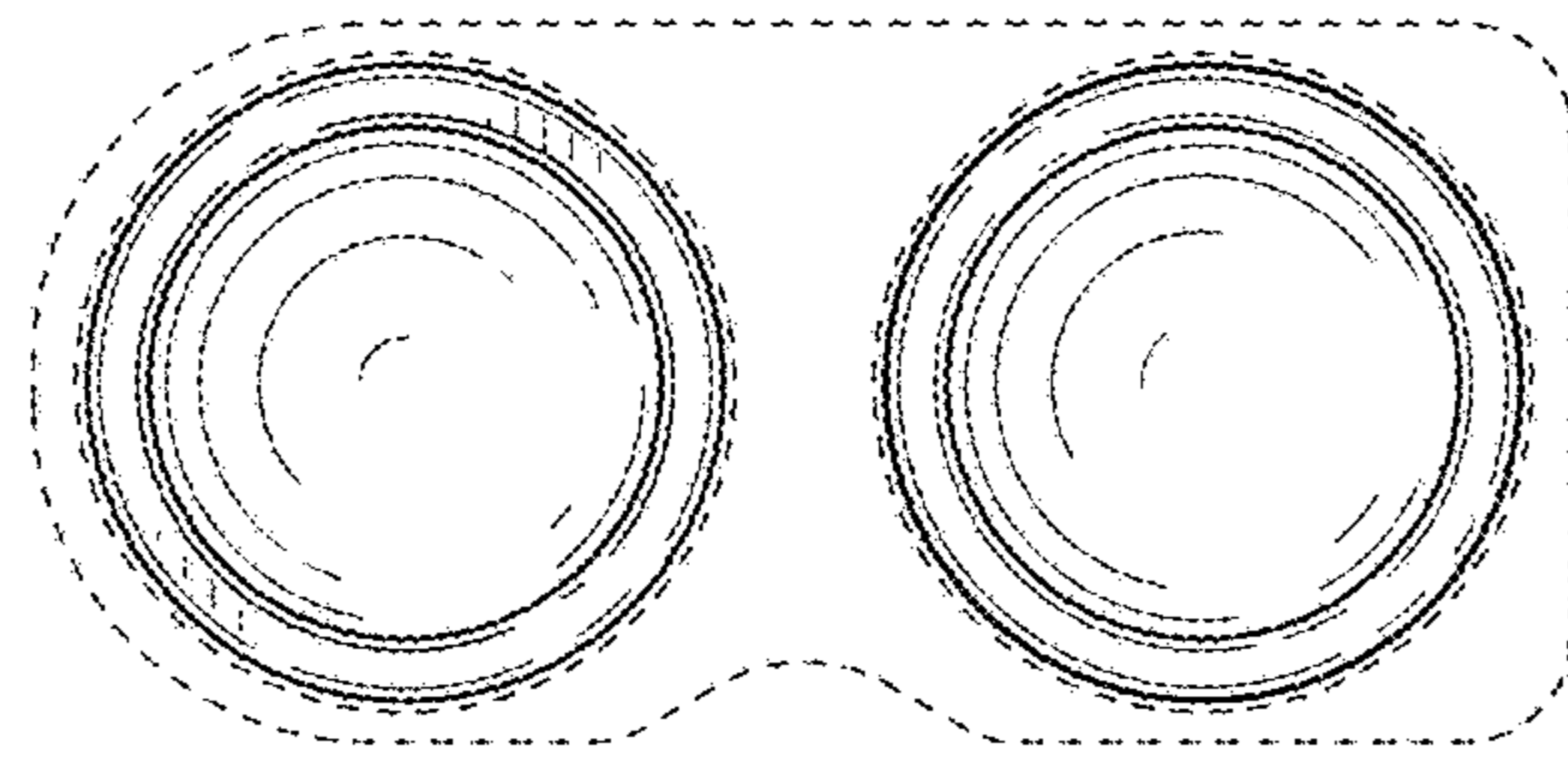


FIG. 6

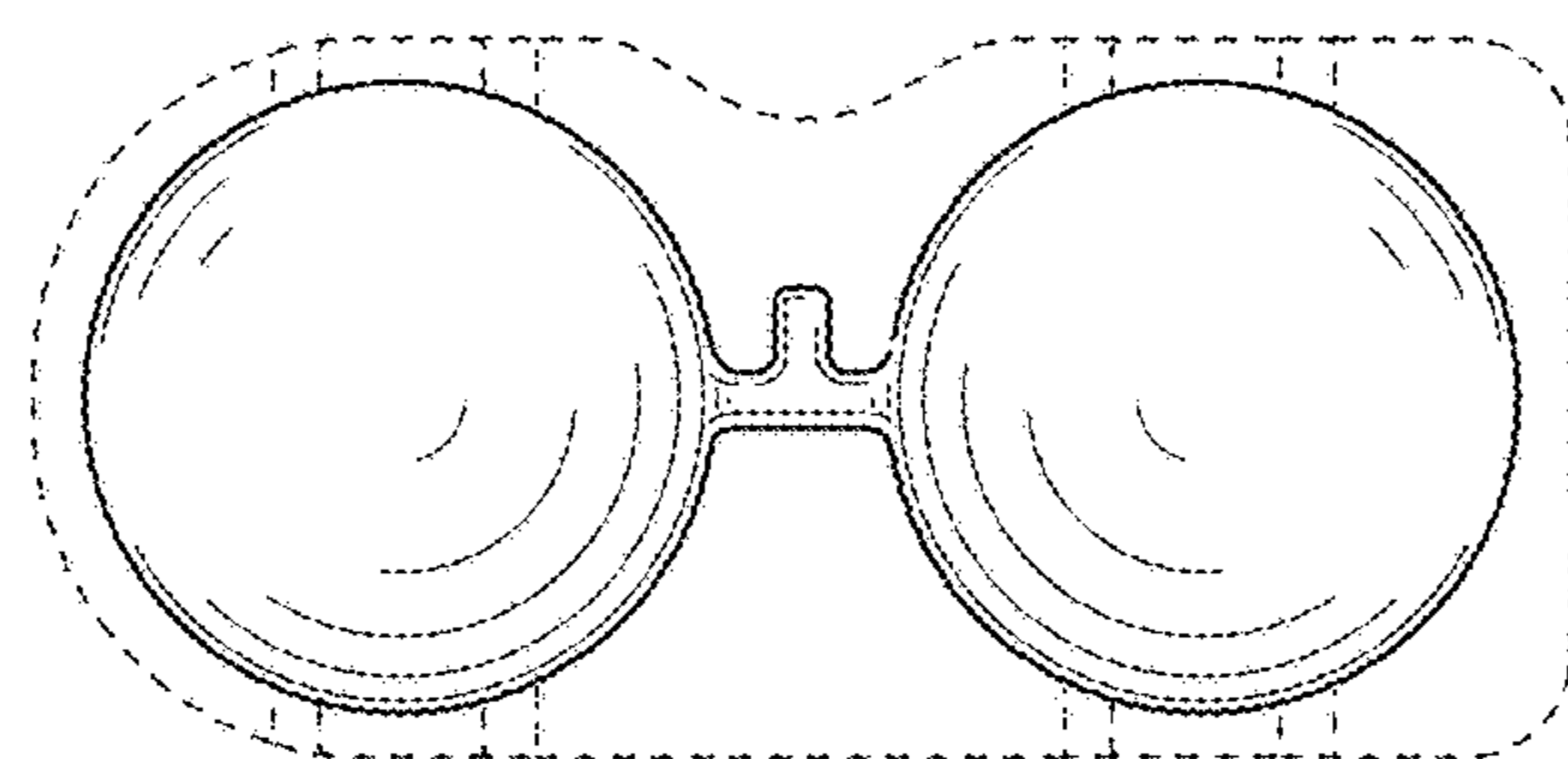


FIG. 7