



US00D855203S

(12) **United States Design Patent** (10) **Patent No.:** **US D855,203 S**
Katsumata et al. (45) **Date of Patent:** **** Jul. 30, 2019**

(54) **LID FOR A CULTURE VESSEL**

(71) Applicant: **HAMAMATSU PHOTONICS K.K.**,
Hamamatsu-shi, Shizuoka (JP)
(72) Inventors: **Masakazu Katsumata**, Hamamatsu
(JP); **Yuko Kobayashi**, Hamamatsu
(JP); **Ayano Takeuchi**, Hamamatsu
(JP); **Yukiko Sato**, Hamamatsu (JP)
(73) Assignee: **HAMAMATSU PHOTONICS K.K.**,
Hamamatsu-shi, Shizuoka (JP)

(**) Term: **15 Years**

(21) Appl. No.: **29/537,313**

(22) Filed: **Aug. 25, 2015**

(30) **Foreign Application Priority Data**

Mar. 13, 2015 (JP) 2015-005497
Mar. 13, 2015 (JP) 2015-005498
Mar. 13, 2015 (JP) 2015-005499

(51) **LOC (11) Cl.** **24-02**

(52) **U.S. Cl.**
USPC **D24/224**

(58) **Field of Classification Search**
USPC D24/107, 216, 224; D9/763, 779, 780,
D9/772, 767, 738; 220/200, 241, 257.2,
(Continued)

(56) **References Cited**

U.S. PATENT DOCUMENTS

2,598,987 A * 6/1952 Franzen D65D 51/246
215/228
3,931,925 A * 1/1976 Ruff A47G 21/04
229/125.03

(Continued)

FOREIGN PATENT DOCUMENTS

JP 1563811 S 11/2016
JP 1563910 S 11/2016

(Continued)

OTHER PUBLICATIONS

Google search, QRP Reusable Silicone “https://www.amazon.com/Reusable-Silicone-INSIDE-REGULAR-Plastic/dp/B00MQYQSUO/ref=pd_sim_79_2?_encoding=UTF8&pd_rd_i=B00MQYQSUO&pd_rd_r=15Q6CV9GWT9E2GQAWSQJ&pd_rd_w=7RD0e&pd_rd_wg=JEx71&psc=1&refRID=15Q6CV9GWT9E2GQAWSQJ” (May 10, 2018).*

(Continued)

Primary Examiner — Susan Bennett Hattan
Assistant Examiner — Rebecca Tsehaye
(74) *Attorney, Agent, or Firm* — Drinker Biddle & Reath
LLP

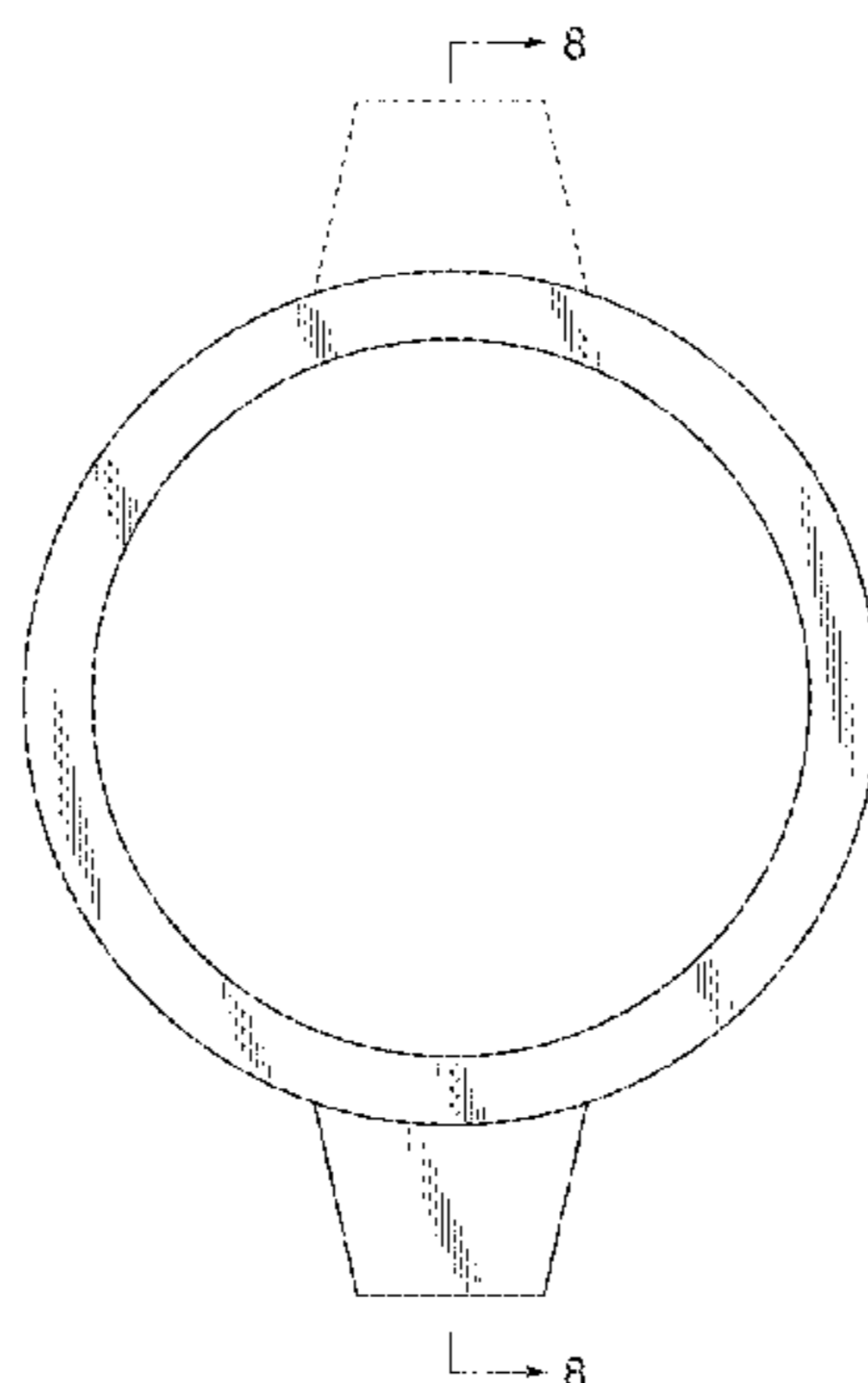
(57) **CLAIM**

The ornamental design for a lid for a culture vessel, as shown and described.

DESCRIPTION

FIG. 1 is a front view of a lid for a culture vessel of the present invention.
FIG. 2 is a rear view of the lid for a culture vessel of FIG. 1.
FIG. 3 is a top plan view of the lid for a culture vessel of FIG. 1.
FIG. 4 is a bottom view of the lid for a culture vessel of FIG. 1.
FIG. 5 is a right side view of the lid for a culture vessel of FIG. 1.
FIG. 6 is a left side view of the lid for a culture vessel of FIG. 1.
FIG. 7 is a perspective view of the lid for a culture vessel of FIG. 1; and,
FIG. 8 is a sectional view of the lid for a culture vessel of FIG. 1, taken along the line 8-8 of FIG. 1.
The features shown in dotted lines depict environmental subject matter only and form no part of the claimed design.

1 Claim, 8 Drawing Sheets



(58) **Field of Classification Search**

USPC 220/269, 270, 216, 223, 230; 215/228;
 229/125.03; 435/305; 206/236;
 369/275.1, 289.1, 290.1, 291.1
 CPC . B65D 5/28; B65D 43/00; B65D 3/04; B65D
 3/06; A47G 21/04; G11B 7/24
 See application file for complete search history.

(56) **References Cited**

U.S. PATENT DOCUMENTS

D238,886 S * 2/1976 Goy D24/224
 3,974,916 A * 8/1976 Bartolucci B65D 43/00
 116/307
 D295,319 S * 4/1988 Franchere D24/224
 5,011,010 A * 4/1991 Francis G11B 33/0427
 206/307
 5,425,451 A 6/1995 Blase
 5,715,934 A 2/1998 Tobol et al.
 5,769,263 A * 6/1998 Willingham B65D 51/28
 215/228
 5,787,069 A * 7/1998 Lowe G11B 7/24
 369/283
 D408,590 S * 4/1999 Litton D28/82
 6,311,860 B1 * 11/2001 Reidinger D65D 51/28
 215/228
 7,002,895 B1 * 2/2006 Taussig G11B 7/007
 369/275.1
 7,409,698 B2 * 8/2008 Tjensvold G11B 23/0313
 720/719
 D605,303 S * 12/2009 Monks D24/224
 D634,188 S * 3/2011 Sellari D9/424
 7,936,660 B2 * 5/2011 Vast G06K 19/045
 369/275.3

8,038,512 B2 * 10/2011 Saito C03C 15/00
 451/41
 8,418,353 B1 4/2013 Moravec et al.
 8,557,361 B2 * 10/2013 Hardin G11B 7/252
 428/64.1
 8,678,222 B2 * 3/2014 Thorpe A45C 13/008
 132/293
 8,701,881 B2 * 4/2014 Gibson A24F 23/00
 206/236
 D734,436 S * 7/2015 Raether D23/259
 D760,591 S * 7/2016 Groglopo Favetto D9/500
 D776,295 S * 1/2017 Wainwright D24/224
 D776,354 S 1/2017 Schlatter et al.
 D781,151 S * 3/2017 Lerman D9/500
 2011/0097790 A1 * 4/2011 Yerbic C12M 23/10
 435/305.1

FOREIGN PATENT DOCUMENTS

TW	122714	5/2008
TW	143792	11/2011
TW	163532	10/2014

OTHER PUBLICATIONS

Google search, QRP Quality Reliable Products “[* cited by examiner](https://www.amazon.com/GROMMETS-Silicone-fermenting-Quantities-Available/dp/B00KTJXOBO/ref=pd_sim_79_5?_encoding=UTF8&pd_rd_i=B00KKTJXOBO&pd_rd_r=QTN09CESKGRNBX358SDT&pd_rd_w=YRYYYd&pd_rd_wg=vPmFZ&psc=1&refRID=QTN09CESKGRNBX358SDT” (May 10, 2018).*</p>
<p>Notice of Allowance and Fee(s) Due dated Jun. 19, 2018 in U.S. Appl. No. 29/535,375.</p>
</div>
<div data-bbox=)

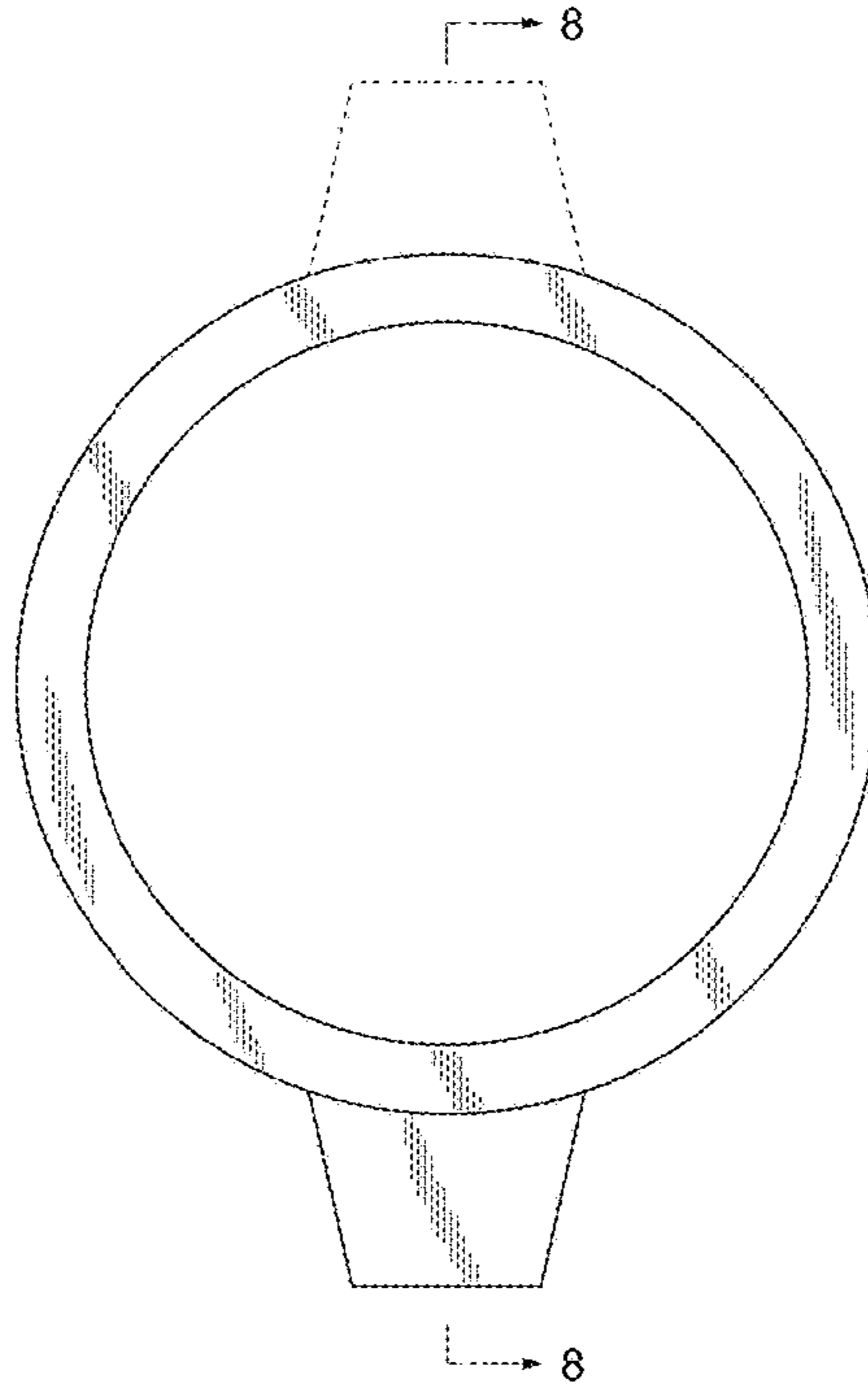


FIG. 1

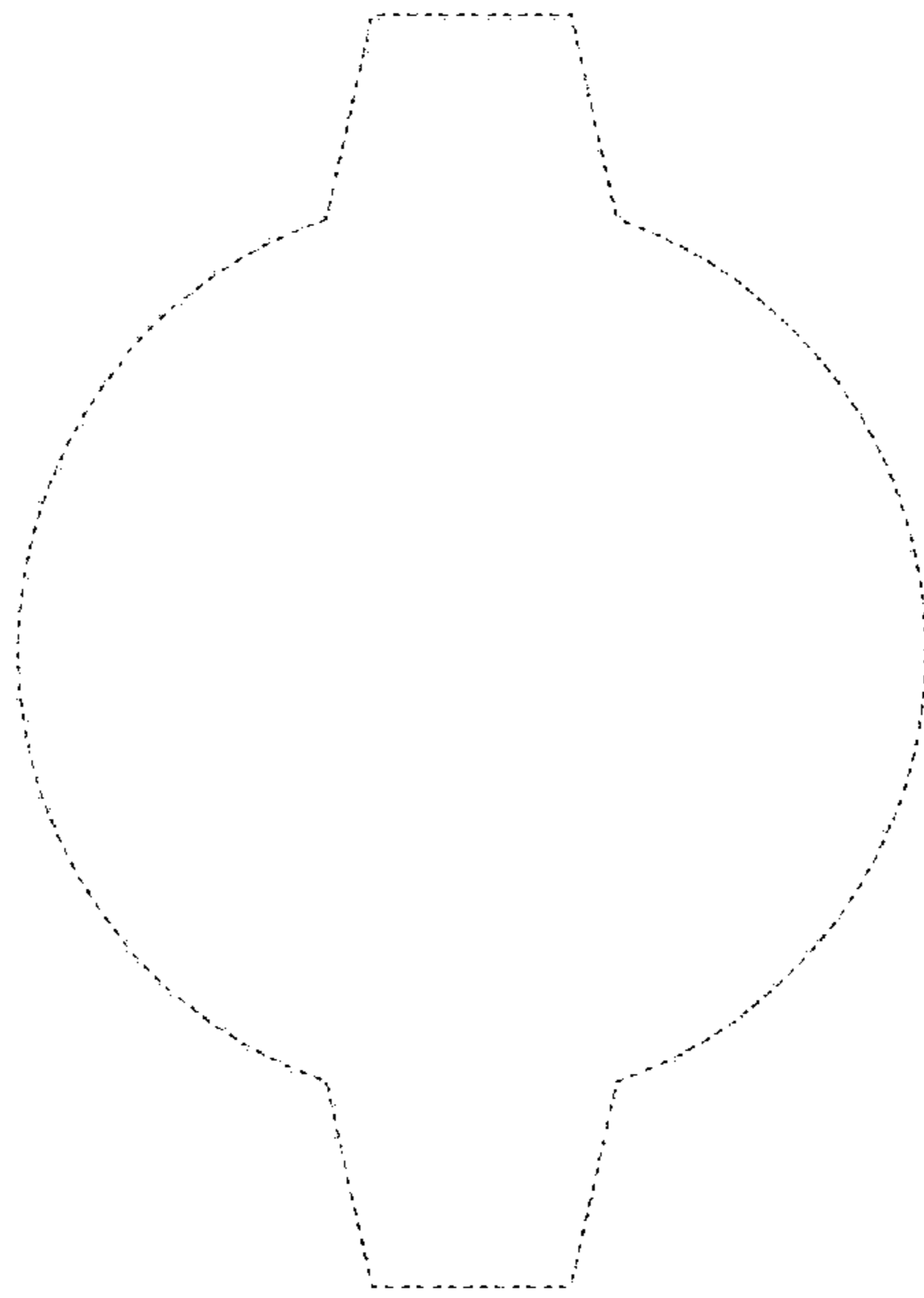


FIG. 2

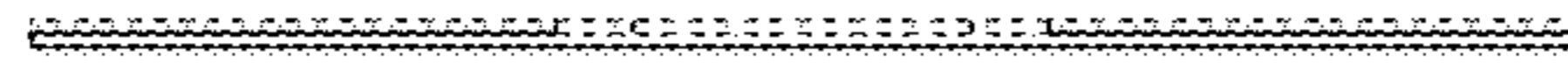


FIG. 3

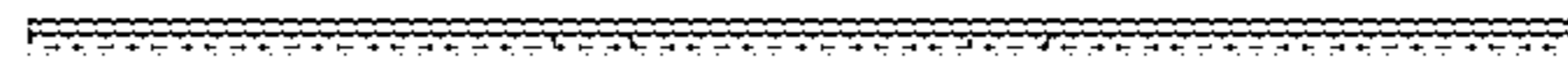


FIG. 4

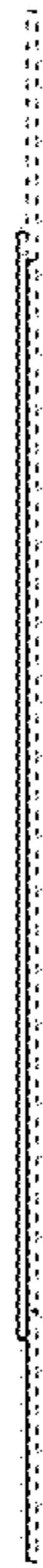


FIG. 5

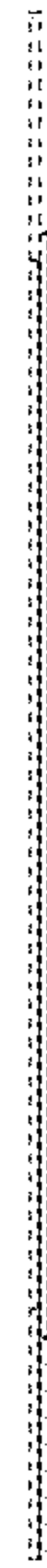


FIG. 6

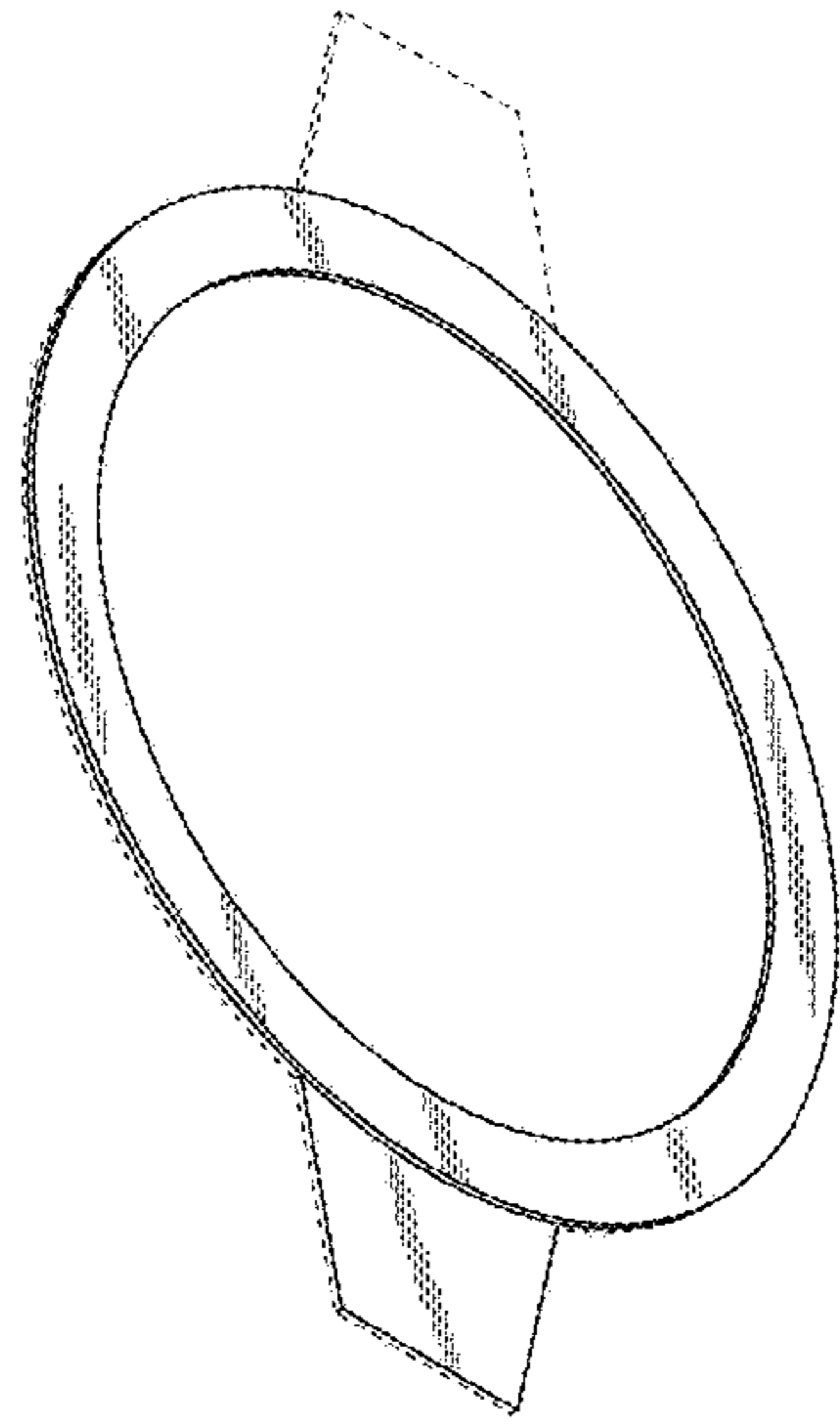


FIG. 7

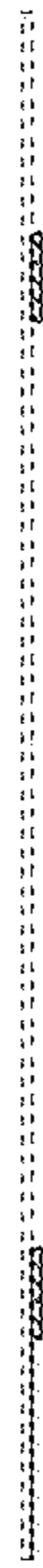


FIG. 8